



US00D890162S

(12) **United States Design Patent**
Achillopoulos

(10) **Patent No.:** **US D890,162 S**
(45) **Date of Patent:** **** Jul. 14, 2020**

(54) **ELECTRONIC CHASSIS FOR USE IN A PORTABLE CARRYING CASE**

(71) Applicant: **Evangelos Achillopoulos**, Alimos (GR)

(72) Inventor: **Evangelos Achillopoulos**, Alimos (GR)

(**) Term: **15 Years**

(21) Appl. No.: **29/632,819**

(22) Filed: **Jan. 10, 2018**

Related U.S. Application Data

(63) Continuation of application No. 15/099,507, filed on Apr. 14, 2016, now Pat. No. 9,977,481.

(51) **LOC (12) Cl.** **14-02**

(52) **U.S. Cl.**
USPC **D14/313**

(58) **Field of Classification Search**
USPC D13/162, 184, 199; D14/313, 240, 300, D14/301, 308, 356
CPC G06F 1/1628; G06F 1/1643; G06F 1/182; G06F 1/3234; G06F 11/1464; G06F 11/1469; G06F 9/14558; H05K 5/06
See application file for complete search history.

(56) **References Cited**

U.S. PATENT DOCUMENTS

D795,243 S * 8/2017 Petruzzo D14/313
9,772,866 B1 * 9/2017 Aron G06F 9/45558

D808,908 S * 1/2018 Paul D13/162
9,977,481 B2 * 5/2018 Achillopoulos G06F 9/45558
10,123,598 B2 * 11/2018 Achillopoulos A45C 5/14
2008/0113676 A1 * 5/2008 Hutton H05K 5/06
455/461
2016/0026592 A1 * 1/2016 Ganth G06F 13/4027
710/306
2016/0183677 A1 * 6/2016 Achillopoulos A45C 9/00
190/11
2016/0266913 A1 * 9/2016 Achillopoulos G06F 9/45558

* cited by examiner

Primary Examiner — Selina Sikder

(74) *Attorney, Agent, or Firm* — Franco S. DeLiguori; DP IP Group

(57) **CLAIM**

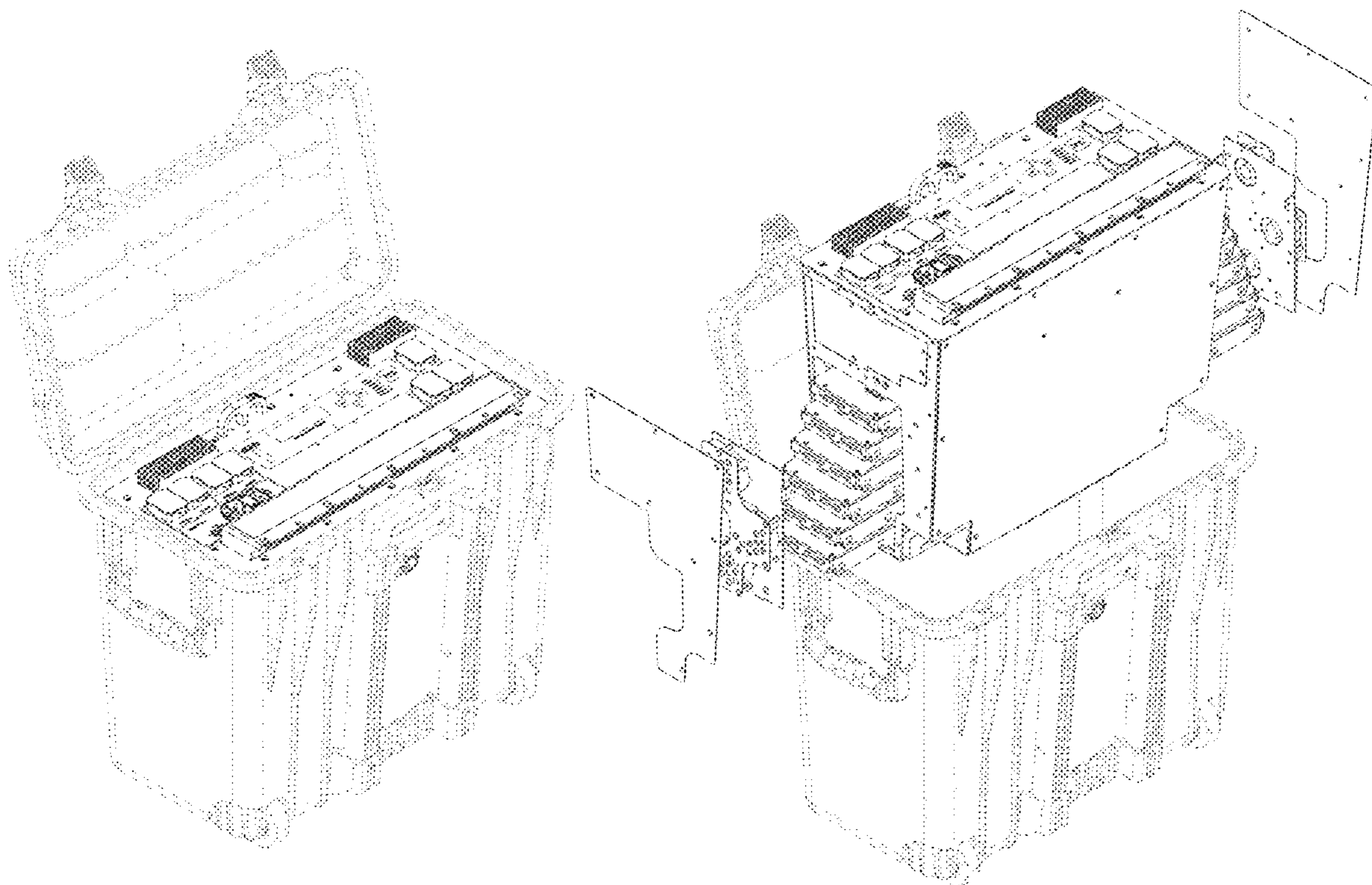
I claim the ornamental design for an electronic chassis for use in a portable carrying case.

DESCRIPTION

FIG. 1 is a top, front and left side perspective view of an electronic chassis sized to fit in a portable carrying case or similar article showing my new design; and, FIG. 2 is an exploded top, front, and left side perspective view thereof.

The broken line illustration of the portable carrying case in the drawings depicts the environment in which the design resides and forms no part of the claim.

1 Claim, 2 Drawing Sheets



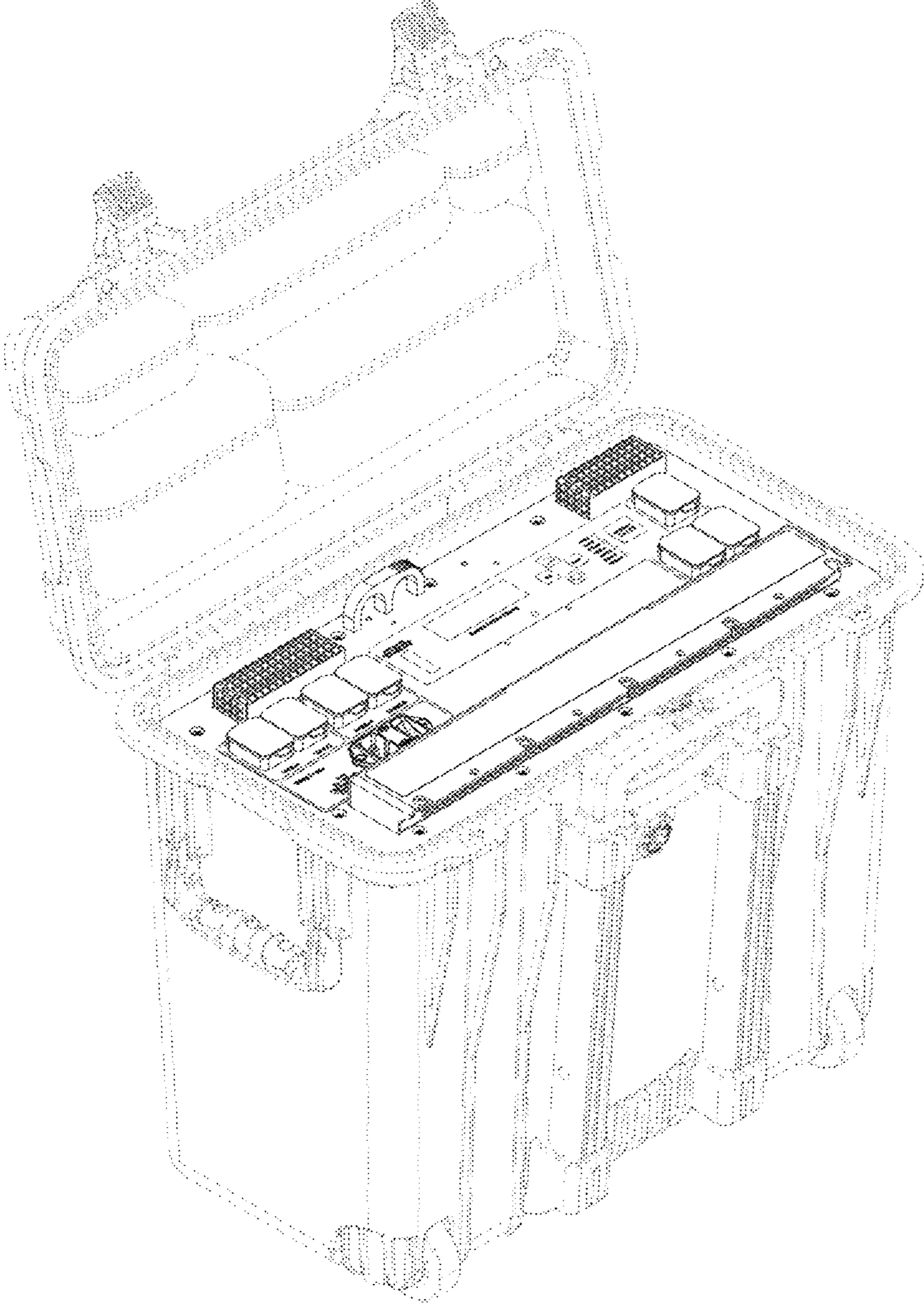


FIG. 1

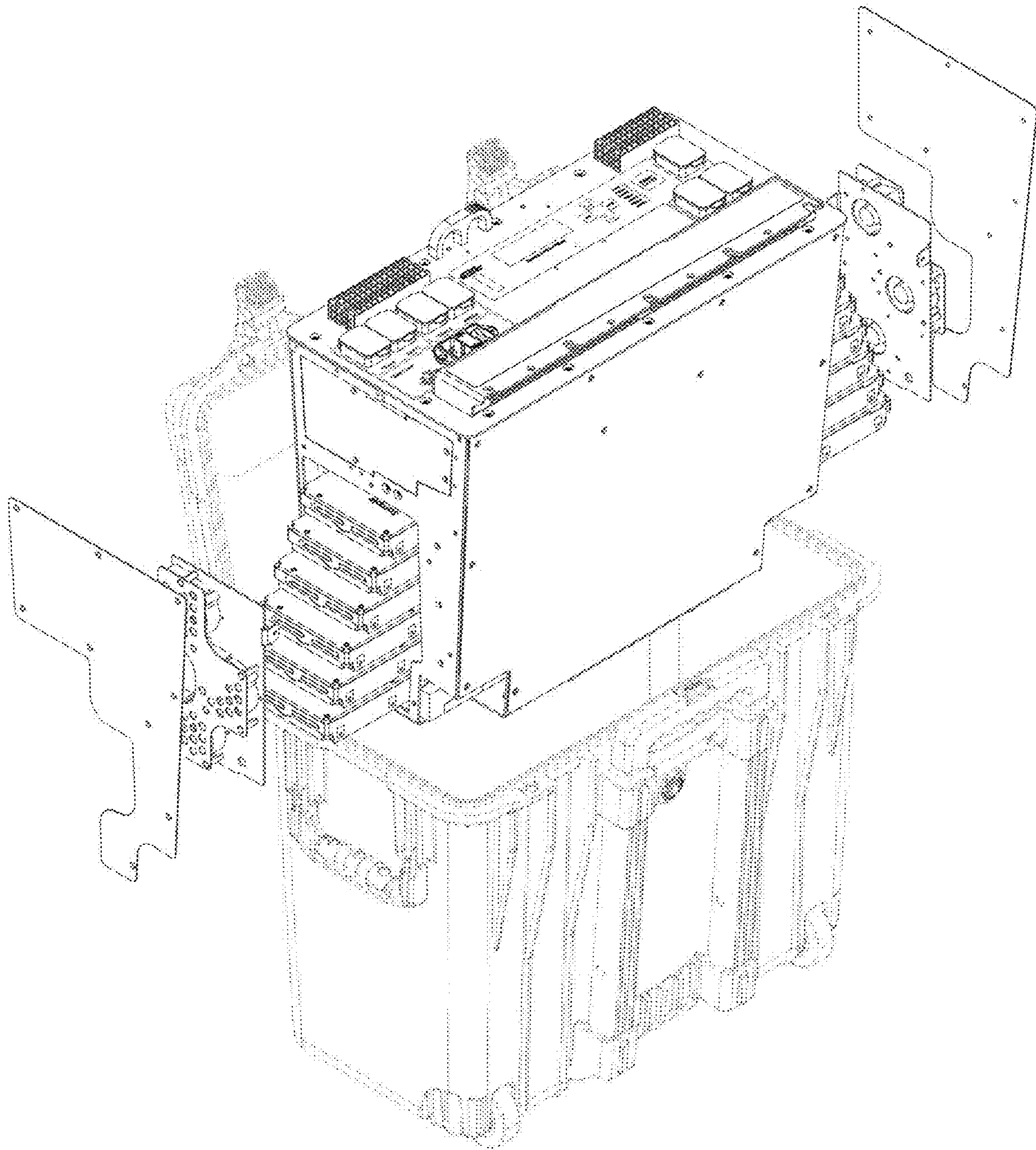


FIG. 2