



US00D890159S

(12) **United States Design Patent**  
**McSweyn**

(10) **Patent No.:** **US D890,159 S**  
(45) **Date of Patent:** **\*\* Jul. 14, 2020**

- (54) **SUCTION CUP MOUNT BASE**
- (71) Applicant: **Scosche Industries, Inc.**, Oxnard, CA (US)
- (72) Inventor: **Christopher Michael McSweyn**, Oxnard, CA (US)
- (73) Assignee: **Scosche Industries, Inc.**, Oxnard, CA (US)
- (\*\*) Term: **15 Years**
- (21) Appl. No.: **29/675,785**
- (22) Filed: **Jan. 4, 2019**
- (51) **LOC (12) Cl.** ..... **14-03**
- (52) **U.S. Cl.**  
USPC ..... **D14/253**
- (58) **Field of Classification Search**  
USPC ..... D14/251-253, 447, 452; D12/415;  
D3/218; D8/349, 363; D6/656.11,  
D6/656.12, 656.13, 656.15, 656.16, 655,  
D6/655.1, 675.1  
CPC ..... H04M 1/02; H04M 1/04; B60R 11/02;  
F16M 11/00; F16M 11/04; F16M 11/06  
See application file for complete search history.

6,076,790 A 6/2000 Richter  
6,135,408 A 10/2000 Richter  
6,149,116 A 11/2000 Won  
(Continued)

**FOREIGN PATENT DOCUMENTS**

CN 201113495 Y 9/2008  
CN 202042680 U 11/2011  
(Continued)

**OTHER PUBLICATIONS**

The Original iMAGNET Cradle-Less Universal Car Phone Windshield Dashboard Mount Holder for iPhone 6, 6 Plus, 6S, 6S Plus, 5S 5, Galaxy S6 S5, Note 5 4 3, With Official iMAGNET LOGO, iMagnet, Amazon.com, Aug. 19, 2012.  
(Continued)

*Primary Examiner* — Janice Hallmark  
(74) *Attorney, Agent, or Firm* — Stetina Brunda Garred & Brucker

(57) **CLAIM**

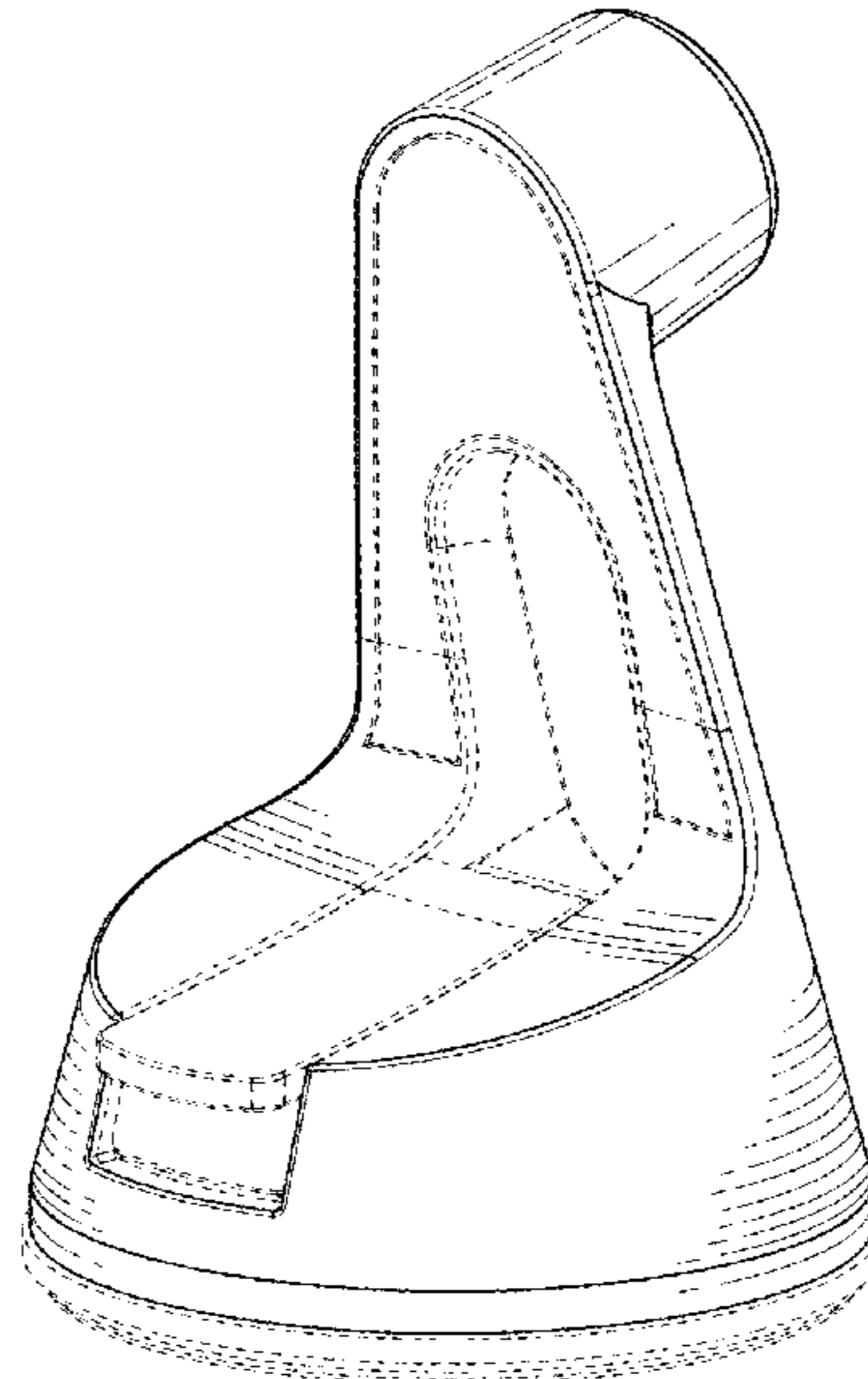
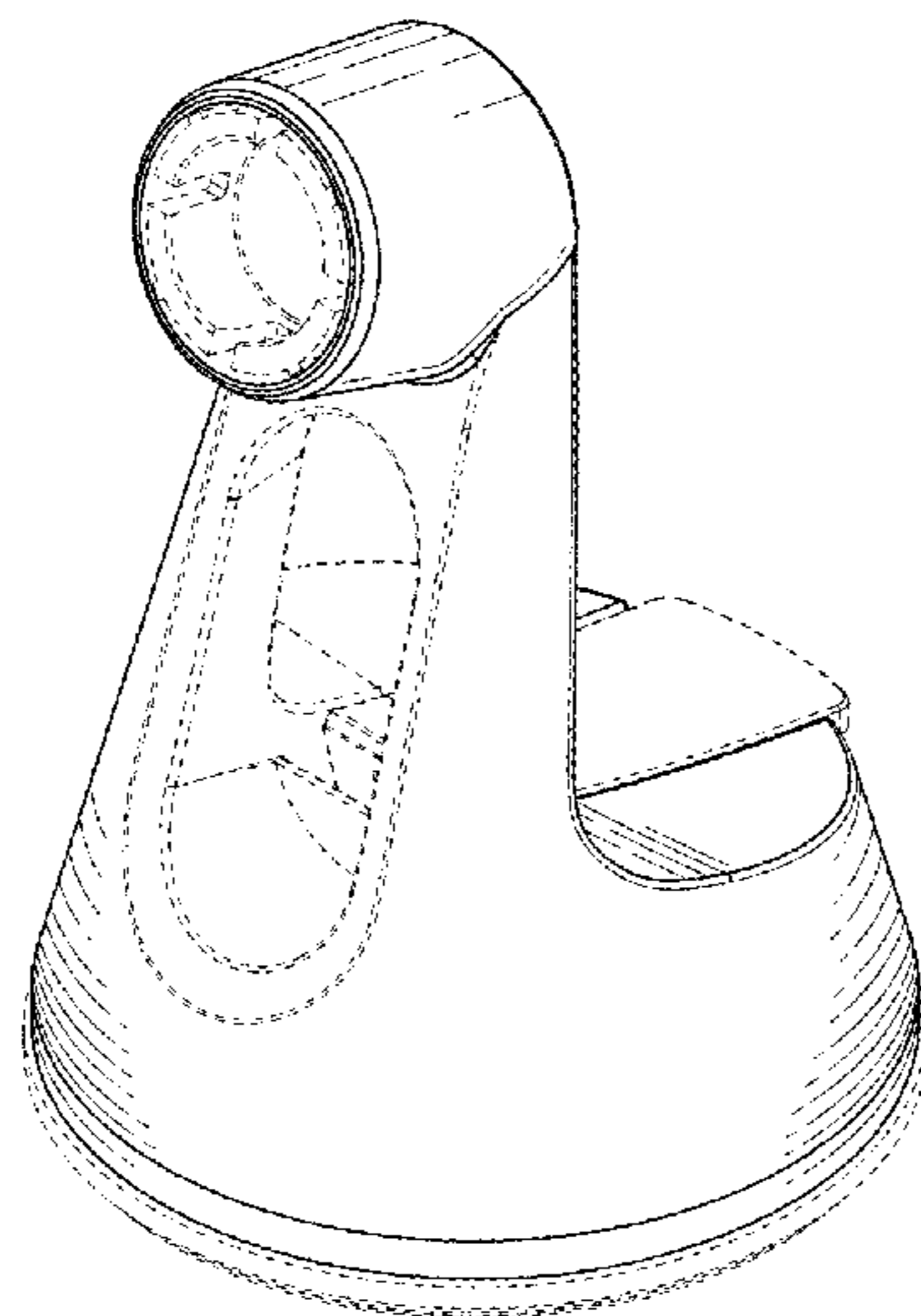
The ornamental design for a suction cup mount base, as shown and described.

**DESCRIPTION**

FIG. 1 is a front perspective view showing a suction cup mount base of the present invention;  
FIG. 2 is a rear perspective view thereof;  
FIG. 3 is a top view thereof;  
FIG. 4 is a front view thereof;  
FIG. 5 is a right side view thereof;  
FIG. 6 is a left side view thereof;  
FIG. 7 is rear view thereof; and,  
FIG. 8 is a bottom view thereof.  
In the drawings, the broken line showings are for purposes of illustrating environmental structure or portions of the suction cup mount base that form no part of the claimed design.

**1 Claim, 3 Drawing Sheets**

- (56) **References Cited**  
U.S. PATENT DOCUMENTS
- |             |         |                 |
|-------------|---------|-----------------|
| 3,329,277 A | 7/1967  | Gaudino         |
| 3,642,122 A | 2/1972  | Von Ende        |
| D306,396 S  | 3/1990  | Brushaber       |
| D317,697 S  | 6/1991  | Lage            |
| D327,840 S  | 7/1992  | Askew           |
| 5,213,240 A | 5/1993  | Dietz et al.    |
| D362,230 S  | 9/1995  | Yokozawa        |
| D362,657 S  | 9/1995  | Tomikawa et al. |
| D398,796 S  | 9/1998  | Fauchald et al. |
| 5,992,807 A | 11/1999 | Tarulli         |
| 6,075,499 A | 6/2000  | Edwards et al.  |



(56)

References Cited

U.S. PATENT DOCUMENTS

6,305,656 B1 10/2001 Wemyss  
 6,382,482 B1 5/2002 Chao  
 6,502,727 B1 1/2003 Decoteau  
 D479,196 S 9/2003 Shih  
 D489,578 S 5/2004 Lai  
 6,888,940 B1 5/2005 Deppen  
 6,959,640 B2 11/2005 Flick  
 7,021,593 B1 4/2006 Fan  
 D521,850 S 5/2006 Richter et al.  
 D530,333 S 10/2006 Richter  
 D543,439 S 5/2007 Brassard  
 D551,058 S 9/2007 Carnevali  
 D552,454 S 10/2007 Fynn  
 D553,959 S 10/2007 Brassard  
 D554,042 S 10/2007 Richter  
 D554,491 S 11/2007 Stenberg  
 7,296,771 B2 11/2007 Kalis et al.  
 D560,592 S 1/2008 Brassard  
 D561,345 S 2/2008 Flick  
 D563,309 S 3/2008 Richter  
 D565,937 S 4/2008 Tsai  
 7,374,142 B2 5/2008 Carnevali  
 D570,836 S 6/2008 Chen  
 D576,865 S 9/2008 Chiang et al.  
 7,431,251 B2 10/2008 Carnevali  
 D588,903 S 3/2009 Carnevali  
 D590,835 S 4/2009 Richter  
 D592,205 S 5/2009 O'Brien  
 D600,991 S 9/2009 Lai  
 D603,322 S 11/2009 Nicieja  
 D604,722 S 11/2009 Mistry  
 D609,644 S 2/2010 Lin  
 D609,695 S 2/2010 Cigliano et al.  
 D613,731 S \* 4/2010 Yeo ..... D14/253  
 D614,613 S \* 4/2010 Kim ..... D14/253  
 D618,221 S 6/2010 Fahrenдорff et al.  
 D626,541 S \* 11/2010 Kim ..... D14/253  
 D638,008 S 5/2011 Richter  
 D640,242 S 6/2011 Fahrenдорff et al.  
 8,016,255 B2 9/2011 Lin  
 D654,120 S \* 2/2012 Lin ..... D14/434  
 D654,874 S 2/2012 Au  
 D655,282 S \* 3/2012 Richter ..... D14/253  
 D656,128 S 3/2012 Park  
 D656,465 S 3/2012 Au  
 D656,899 S 4/2012 Webb et al.  
 D657,781 S 4/2012 Yang  
 D657,783 S \* 4/2012 Mo ..... D14/251  
 D664,952 S \* 8/2012 Richter ..... D14/253  
 D670,157 S 11/2012 Mo  
 D671,074 S 11/2012 Hori et al.  
 D677,709 S 3/2013 Skeoch et al.  
 D681,028 S \* 4/2013 Richter ..... D14/253  
 D681,867 S 5/2013 Wegger et al.  
 D686,595 S 7/2013 Andre et al.  
 8,496,222 B2 7/2013 Li  
 D687,441 S 8/2013 Janzen  
 D690,707 S 10/2013 Minn et al.  
 D694,249 S 11/2013 Akana et al.  
 D700,175 S 2/2014 Ohm  
 D705,211 S 5/2014 Huang  
 D709,066 S 7/2014 Byun  
 D709,072 S 7/2014 Askew-Harris et al.  
 D711,322 S 8/2014 McSweyn et al.  
 D713,398 S 9/2014 Alesi et al.  
 D715,132 S 10/2014 McSweyn et al.  
 D715,790 S \* 10/2014 Conomos ..... D14/253  
 D718,297 S \* 11/2014 Aspinall ..... D14/253  
 D718,298 S \* 11/2014 Aspinall ..... D14/253  
 D718,612 S 12/2014 McSweyn et al.  
 D719,959 S 12/2014 Vogel  
 D727,259 S 4/2015 Hwang  
 D730,723 S 6/2015 McSweyn et al.  
 D732,519 S \* 6/2015 Aspinall ..... D14/253  
 D733,116 S \* 6/2015 Aspinall ..... D14/253

D735,132 S 7/2015 Donohue, II et al.  
 D739,708 S 9/2015 McSweyn et al.  
 D750,633 S 3/2016 Minn et al.  
 D761,769 S 7/2016 Harper  
 D772,203 S 11/2016 Zeng  
 D778,713 S 2/2017 McSweyn et al.  
 D780,743 S \* 3/2017 Chun ..... D14/253  
 D782,415 S 3/2017 Zhang  
 D783,013 S \* 4/2017 Chun ..... D14/253  
 D783,014 S \* 4/2017 Chun ..... D14/253  
 D792,380 S 7/2017 Harper  
 D819,015 S \* 5/2018 Lee ..... D14/253  
 D824,378 S \* 7/2018 Sukphisit ..... D14/253  
 D824,380 S \* 7/2018 Lee ..... D14/253  
 D825,545 S \* 8/2018 McSweyn ..... D14/253  
 D831,462 S \* 10/2018 McSweyn ..... D8/349  
 D831,665 S 10/2018 Yao et al.  
 D831,666 S 10/2018 Yao et al.  
 D832,248 S \* 10/2018 Sukphist ..... D14/253  
 D850,436 S \* 6/2019 Vogel ..... D14/253  
 D859,395 S \* 9/2019 Yao ..... D14/253  
 D862,454 S \* 10/2019 Chun ..... D14/253  
 D873,897 S \* 1/2020 Wengreen ..... D16/242  
 2005/0092875 A1 5/2005 Carnevali  
 2006/0290654 A1 12/2006 Wang  
 2007/0018064 A1 1/2007 Wang  
 2008/0023606 A1 1/2008 Kalis et al.  
 2010/0320341 A1 \* 12/2010 Baumann ..... B60R 11/0241  
 248/206.2  
 2011/0192857 A1 8/2011 Rothbaum et al.  
 2012/0229300 A1 9/2012 Fu  
 2012/0292463 A1 11/2012 Burns  
 2012/0295451 A1 11/2012 Hyun-Jun et al.  
 2013/0043827 A1 2/2013 Weinstein et al.  
 2013/0187020 A1 7/2013 Trotsky  
 2014/0346295 A1 11/2014 Song  
 2014/0357094 A1 12/2014 Kim  
 2015/0207351 A1 7/2015 Hamburger et al.  
 2015/0288205 A1 10/2015 Weinstein et al.

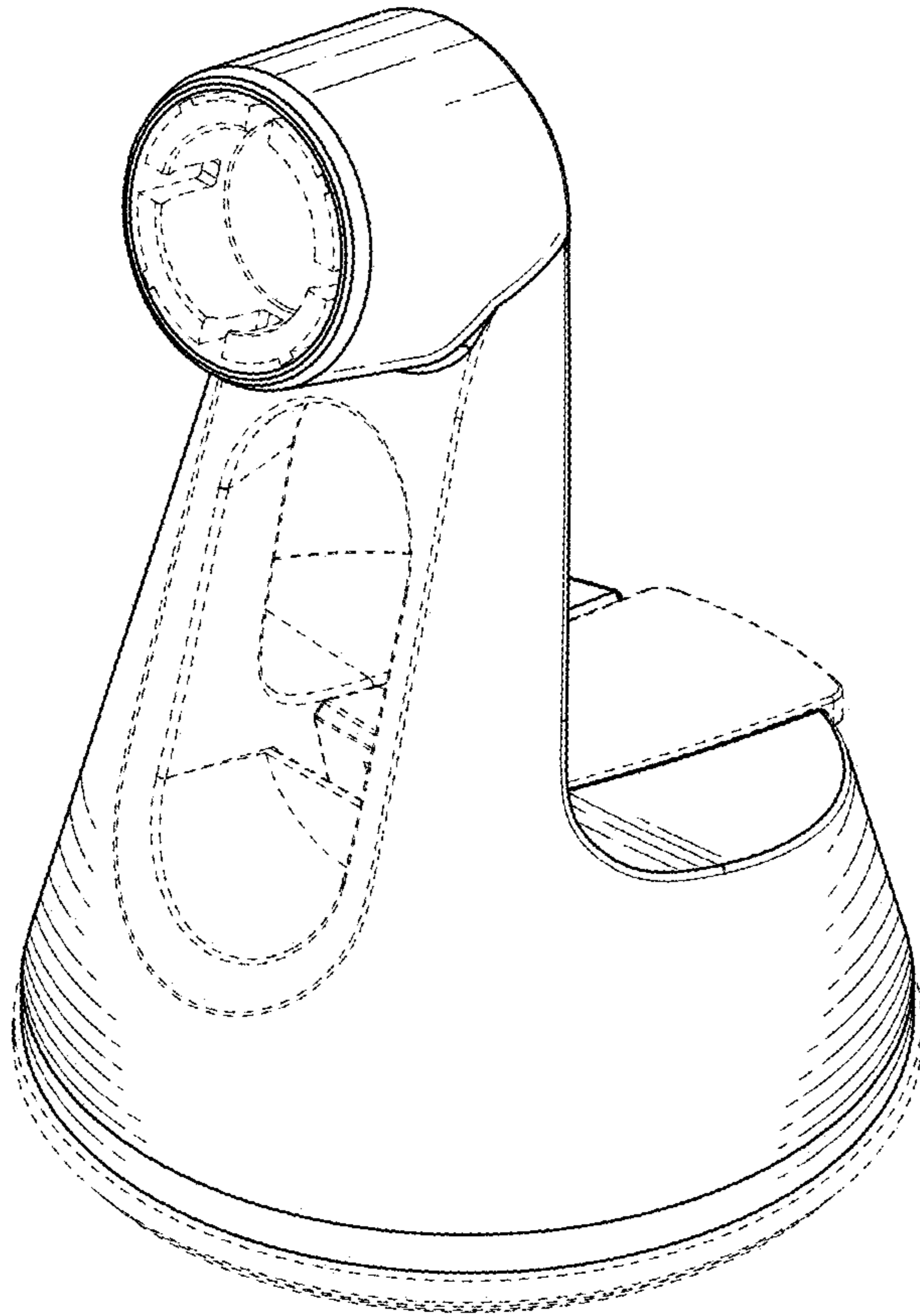
FOREIGN PATENT DOCUMENTS

CN 203193688 U 9/2013  
 CN 203416030 U 1/2014  
 JP 2000231910 A 8/2000

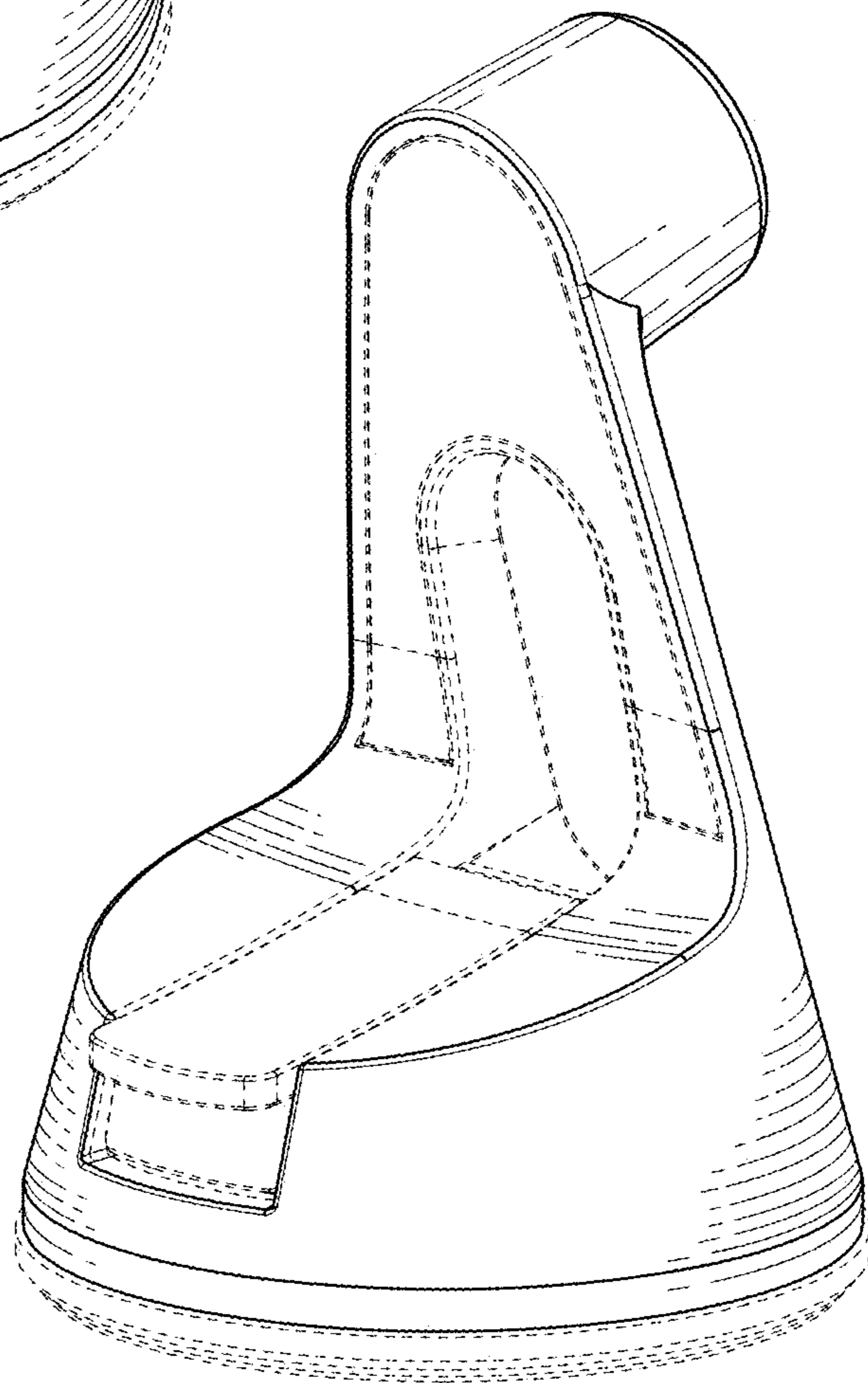
OTHER PUBLICATIONS

Mounts posted by Scoshe found on Sep. 27, 2016 at <http://www.scoshe.com/consumer-tech/mounts>.  
 Magnetic Nanoport links phones to accessories, cars, each other; Jan. 7, 2014 <http://www.cnet.com/news/magnetic-nanoport-links-phones-to-accessories-cars-each-other/>.  
 Clever smartphone case offers an ingenious way to charge your phone on the go; Jun. 20, 2014 <http://bgr.com/2014/06/20/best-smartphone-accessories-zolo/>.  
 Logitech Case+ Review: Brilliant iPhone Case Concept, Flawed Execution; May 13, 2014 <http://time.com/98112/logitech-case-plus-review/>.  
 Scoshe Magic Mount Pro Home Qi, Scoshe published on Jan. 30, 2017 on [twice.com](http://twice.com), retrieved from the Internet URL: <http://www.twice.com/twice-picks-award-sinner-scoshe-mpqhd-magicmount-pro-home-qi/64136>.  
 Japanese Office Action dated Jan. 29, 2019 [Japanese Design Application No. 2018-016592].  
 Korean Office Action dated Dec. 3, 2018 [Korean Design Application No. 30-2018-0034999].  
<https://www.scoshe.com/awards>; Jan. 9, 2018.  
 Design of "wireless charger for mobile phone" Registration No. 30-0842715 published on Mar. 4, 2016 in the South Korea Design Trademark Bulletin.  
 Korean Office Action dated Dec. 3, 2018 [Korean Design Application No. 30-2018-0035007].

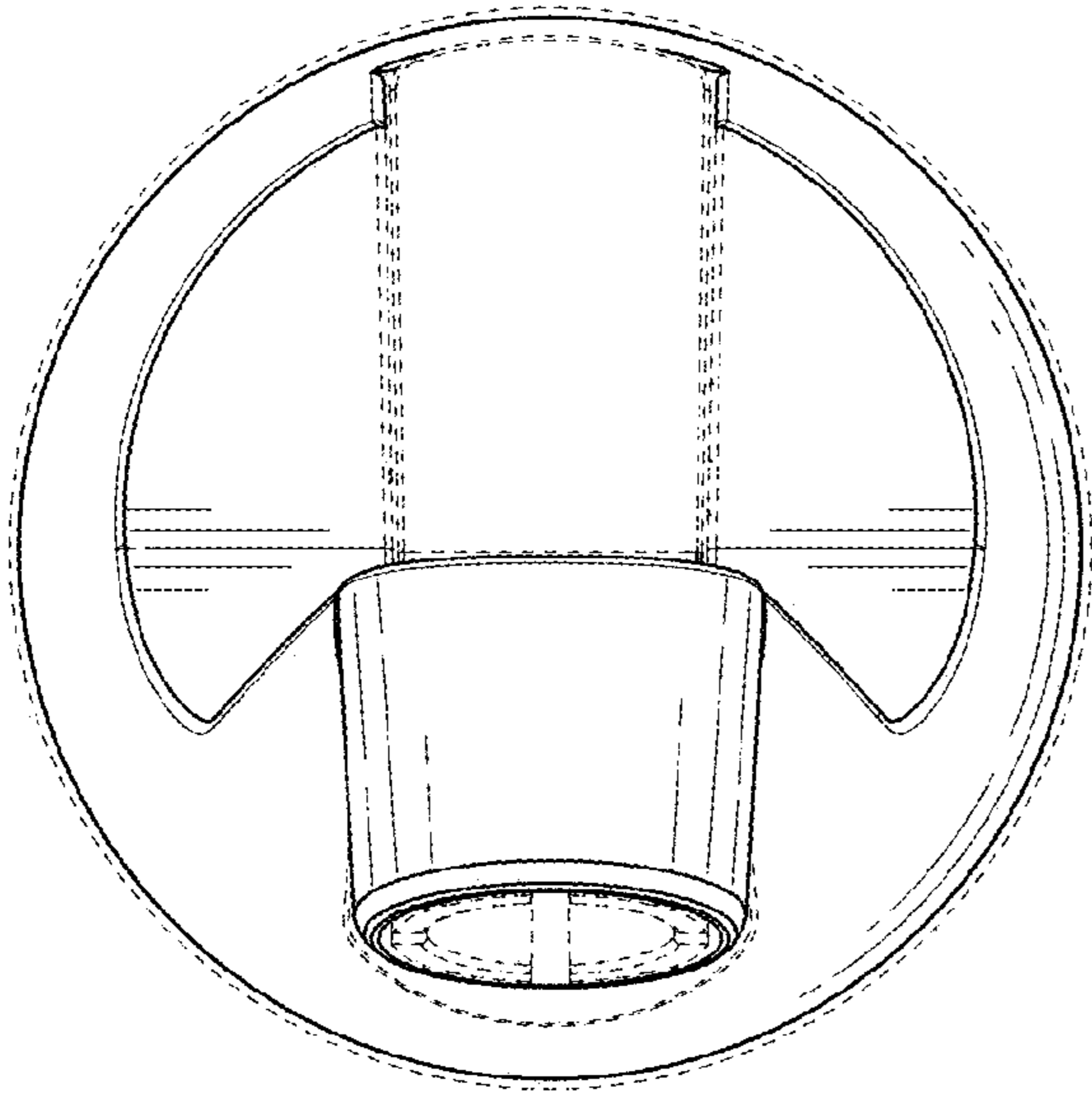
\* cited by examiner



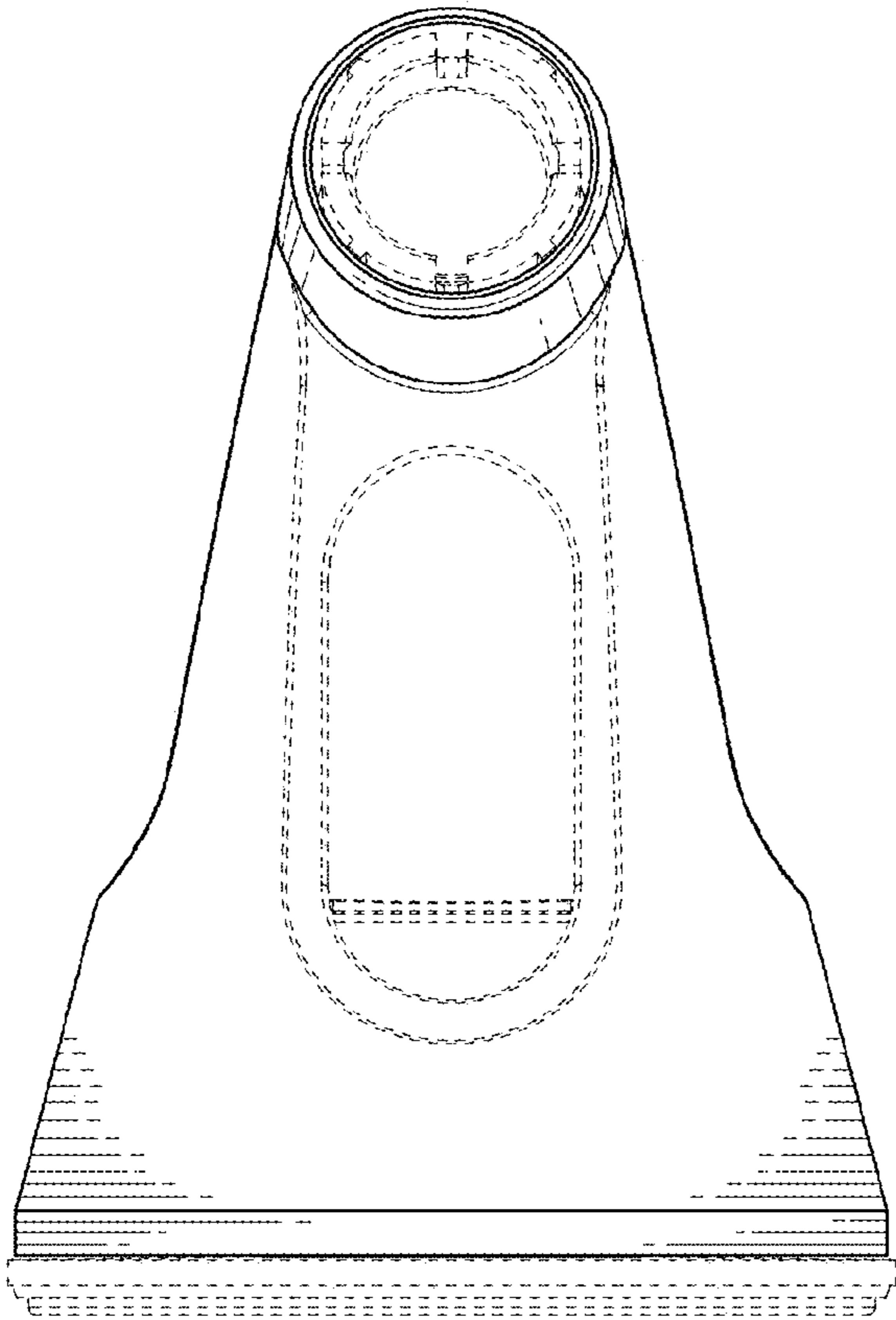
**FIG. 1**



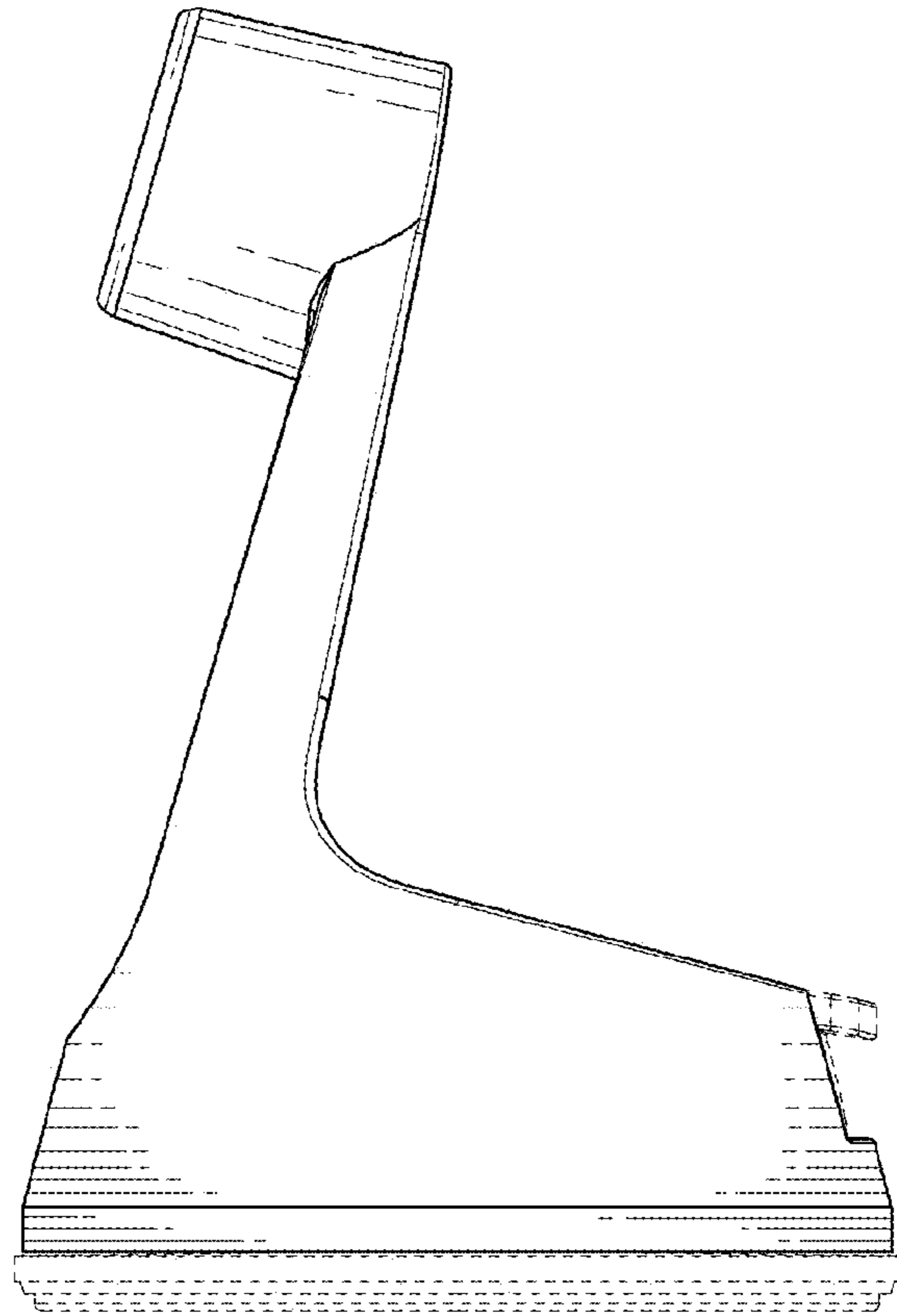
**FIG. 2**



**FIG. 3**



**FIG. 4**



**FIG. 5**

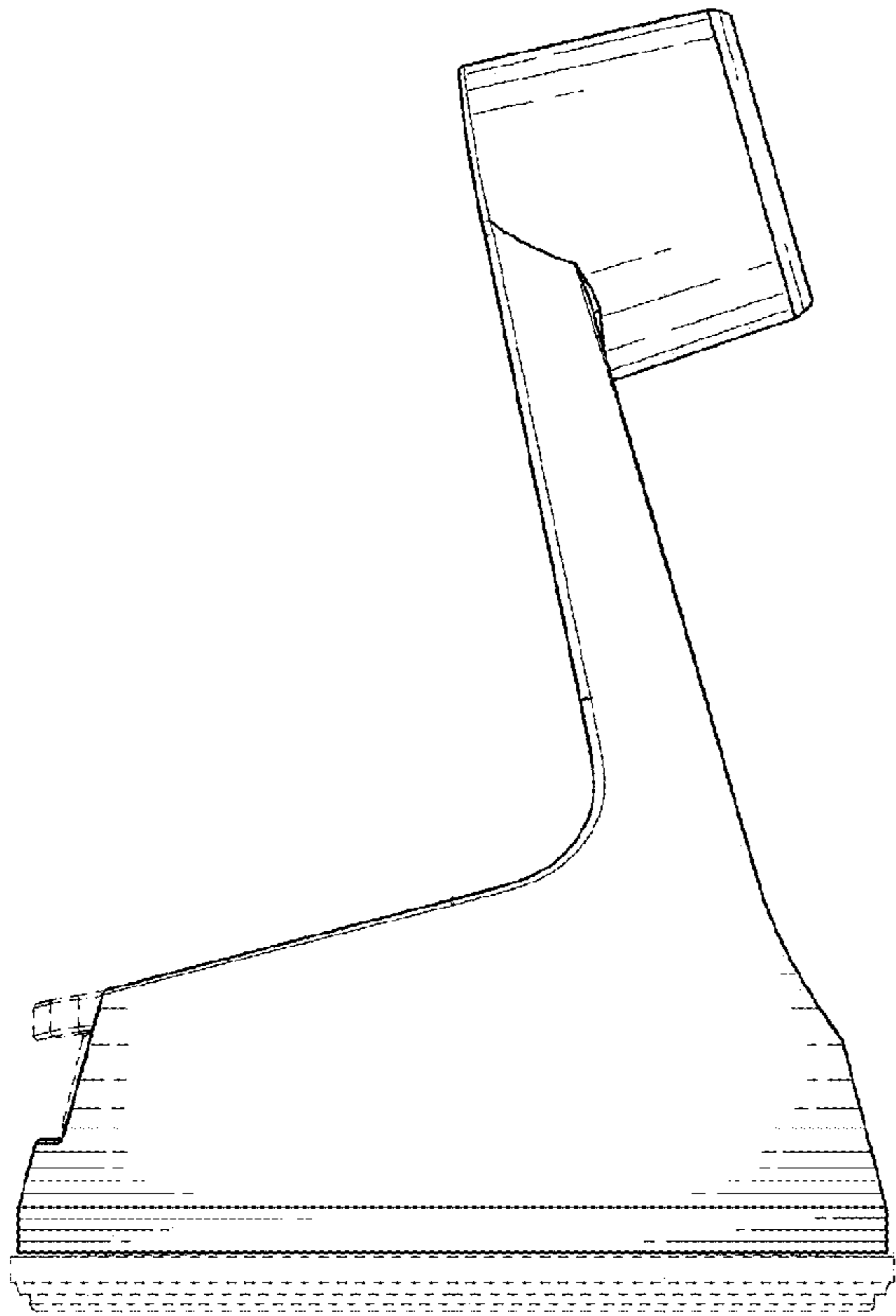


FIG. 6

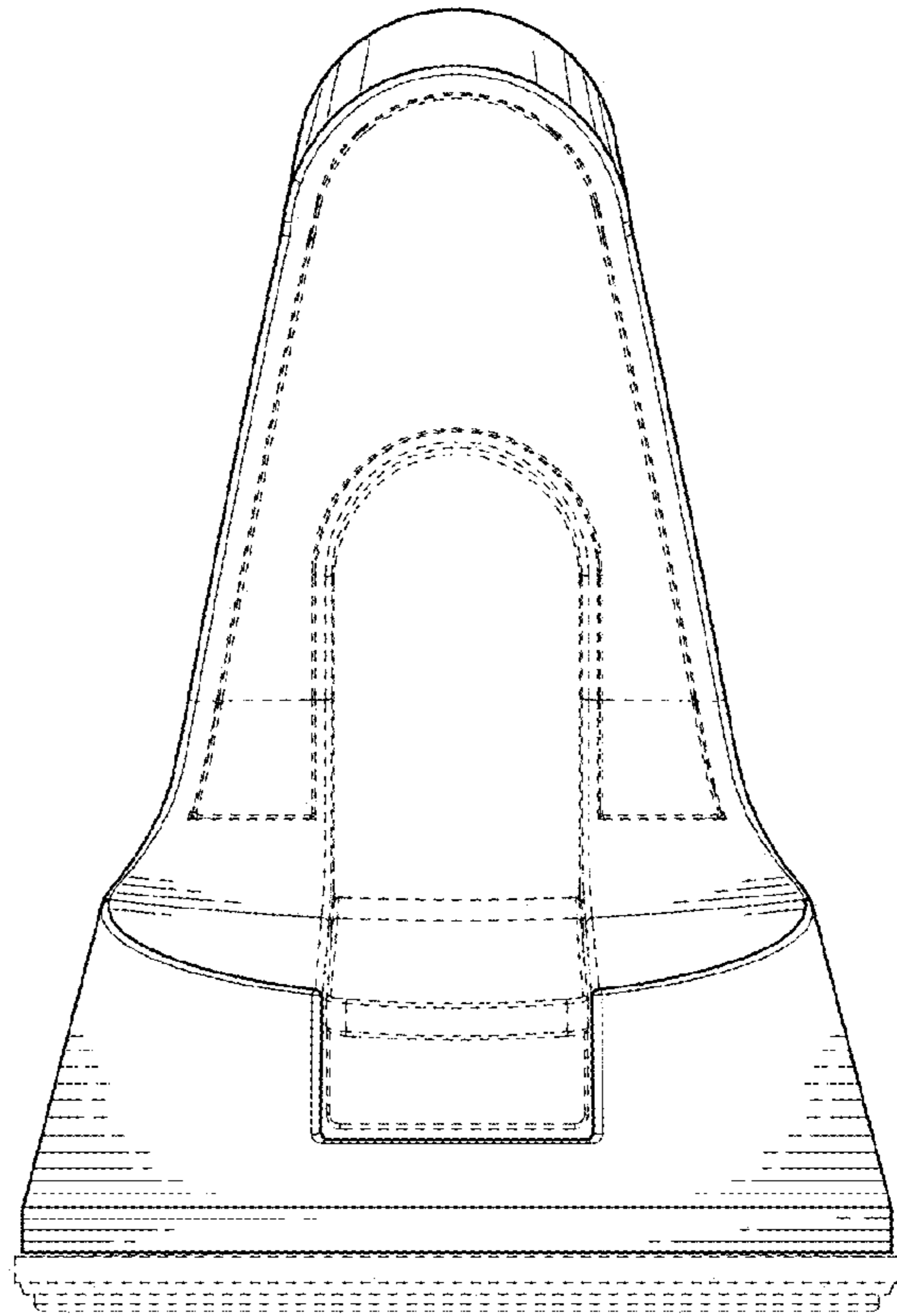


FIG. 7

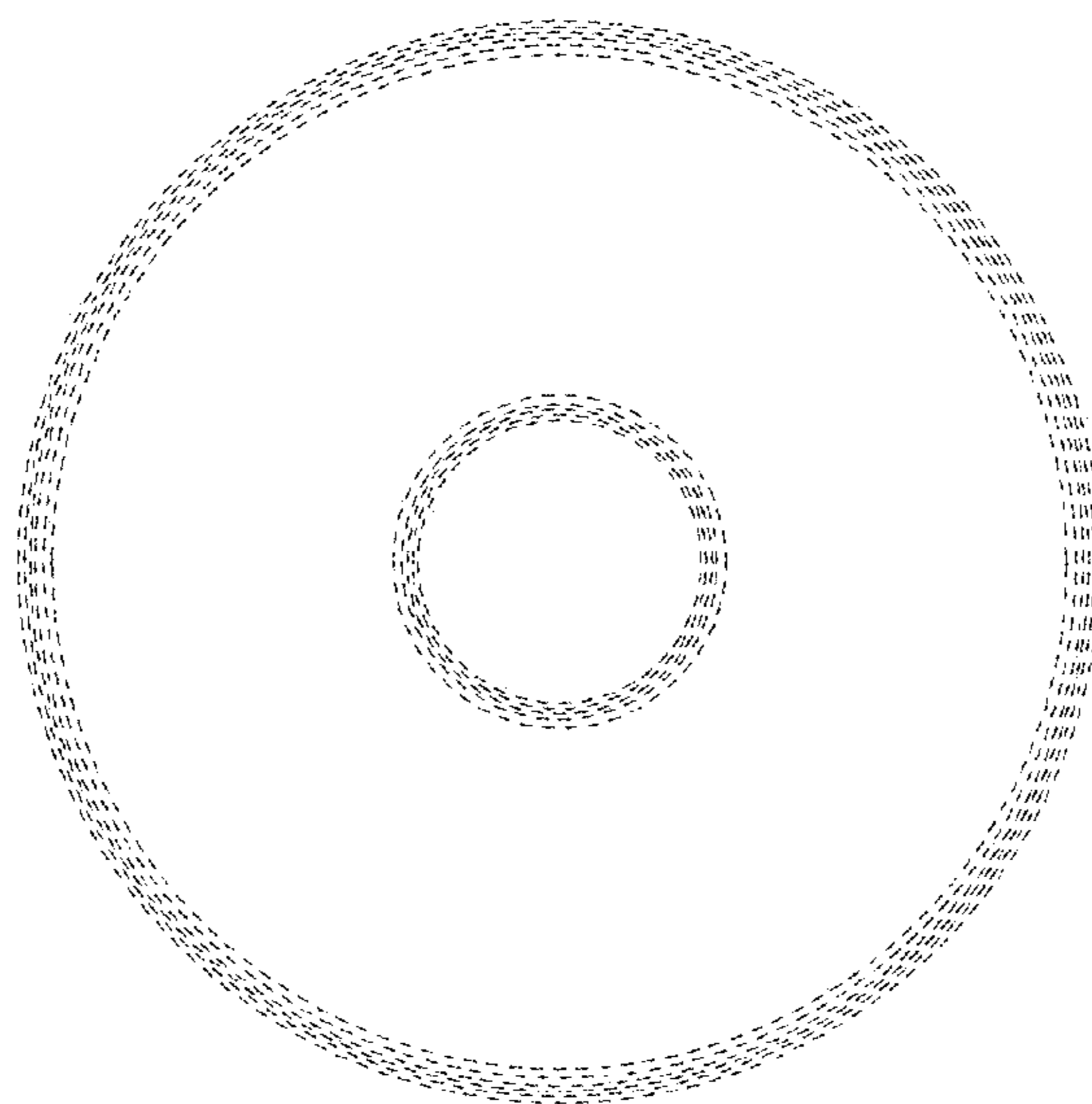


FIG. 8