



US00D890157S

(12) **United States Design Patent** (10) **Patent No.:** **US D890,157 S**
Kim (45) **Date of Patent:** **** Jul. 14, 2020**

(54) **CASE FOR ELECTRONIC COMMUNICATIONS DEVICE**

(71) Applicant: **SPIGEN KOREA CO., LTD.**, Seoul (KR)

(72) Inventor: **Seungjoo Kim**, Seoul (KR)

(73) Assignee: **Spigen Korea CO., LTD.**, Seoul (KR)

(**) Term: **15 Years**

(21) Appl. No.: **29/632,850**

(22) Filed: **Jan. 10, 2018**

(51) **LOC (12) Cl.** **14-03**

(52) **U.S. Cl.**
 USPC **D14/250**

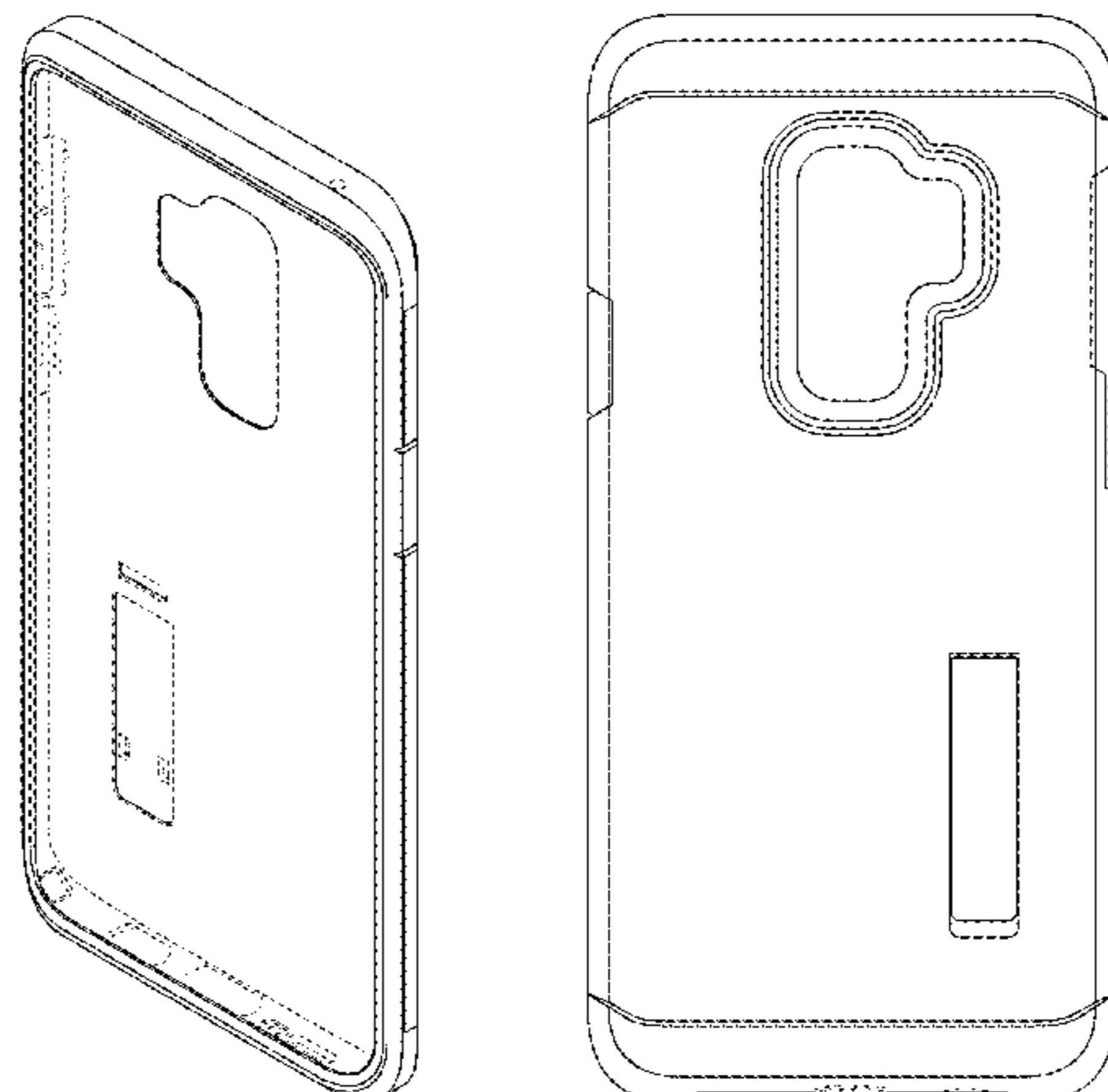
(58) **Field of Classification Search**
 USPC D14/248, 439, 203.3-203.7, 447, 238.1, D14/440, 251-253, 217, 240, 250; D3/201, 218, 247, 269, 273, 301, 303; D13/103, 107-108, 119
 CPC H04B 1/3888; H04M 1/0283; H04M 1/0202; A45C 1/06; A45C 2011/002; A45C 11/00; A45C 13/02; A45F 2005/026; A45F 2200/0525; A45F 2200/0516

See application file for complete search history.

D681,624 S * 5/2013 Chang D14/250
 8,517,172 B1 8/2013 Chang
 D698,776 S * 2/2014 Fathollahi D14/250
 D703,646 S * 4/2014 Fathollahi D14/250
 8,706,176 B1 4/2014 Jia
 D706,254 S 6/2014 Chang
 D709,871 S 7/2014 Lee
 D721,071 S 1/2015 Nelson
 D731,472 S * 6/2015 Lee D14/250
 9,049,283 B1 6/2015 Kim
 9,185,954 B2 11/2015 Cheung
 D746,275 S * 12/2015 Mohammad D14/250
 D749,068 S 2/2016 Zaborski
 D749,535 S 2/2016 Joung
 D749,594 S 2/2016 Kim
 D753,099 S 4/2016 Kim
 D755,764 S 5/2016 Dong
 D755,772 S 5/2016 Sasaki
 D756,339 S 5/2016 Tussy
 D756,340 S 5/2016 Babichenko
 D756,343 S 5/2016 Wall et al.
 D756,909 S 5/2016 Gupta
 D756,977 S 5/2016 Schriefer
 D756,978 S 5/2016 Addonisio
 D756,980 S 5/2016 Beeman
 D757,703 S 5/2016 Kanazawa
 D759,641 S 6/2016 Lai et al.
 D759,642 S 6/2016 Chao
 D762,633 S 8/2016 Fife
 D765,634 S 9/2016 McCray et al.
 D765,635 S 9/2016 Chang
 D765,638 S 9/2016 Gaylord
 D765,640 S 9/2016 Bulkley
 D768,615 S 10/2016 Wang
 9,467,189 B2 10/2016 Day et al.
 D771,028 S 11/2016 Kim
 D771,607 S 11/2016 Kim
 D771,608 S 11/2016 Kim
 D772,209 S 11/2016 Kim
 D772,858 S 11/2016 Hu
 9,503,147 B2 11/2016 Witter et al.
 D776,104 S 1/2017 Tien
 D776,649 S * 1/2017 Kim D14/250
 D777,155 S 1/2017 Kim
 D777,156 S 1/2017 Kim
 D777,160 S 1/2017 Kim
 9,545,140 B1 1/2017 Johnson et al.
 D778,897 S * 2/2017 Kim D14/250
 D778,898 S 2/2017 Kim
 D780,164 S * 2/2017 Lee D14/250
 D780,166 S 2/2017 Lin
 D780,167 S 2/2017 Tien
 D786,851 S 5/2017 Kim

(56) **References Cited**
 U.S. PATENT DOCUMENTS

D613,761 S 4/2010 Jones
 D613,762 S 4/2010 Jones
 D613,763 S 4/2010 Jones
 D614,668 S 4/2010 Jones
 D619,361 S 7/2010 Andre
 D624,908 S 10/2010 Huskinson
 D636,387 S 4/2011 Willes
 D637,589 S 5/2011 Willes et al.
 D646,265 S 10/2011 Fathollahi
 D663,294 S 7/2012 Buxton
 D673,547 S 1/2013 Melanson et al.
 D676,035 S 2/2013 Chang
 D679,271 S 4/2013 Liu
 D681,615 S 5/2013 Fathollahi



D786,852	S	5/2017	Kim	
D786,854	S *	5/2017	Kim	D14/250
D787,491	S	5/2017	Kim	
D787,492	S *	5/2017	Kim	D14/250
D789,344	S *	6/2017	Kim	D14/250
D791,755	S	7/2017	Kim	
D796,497	S	9/2017	Kim	
D797,094	S *	9/2017	Kim	D14/250
D800,713	S	10/2017	Kim	
D802,574	S *	11/2017	Kim	D14/250
D803,206	S	11/2017	Kim	
D806,060	S *	12/2017	Kim	D14/250
D808,955	S	1/2018	Park et al.	
D810,064	S *	2/2018	Kim	D14/250
D810,726	S	2/2018	Chou et al.	
D828,346	S *	9/2018	Kim	D14/250
2009/0017883	A1	1/2009	Lin	
2011/0050606	A1	3/2011	Zhang	
2013/0077211	A1	3/2013	Wang	
2013/0126531	A1	5/2013	Hynecek	
2014/0262855	A1	9/2014	Gandhi	
2014/0360892	A1	12/2014	Lin	
2015/0053583	A1 *	2/2015	McCormick	A45C 11/00 206/521
2015/0156297	A1	6/2015	Crawford	
2015/0335116	A1	11/2015	Kim	
2015/0364875	A1 *	12/2015	Ginsberg	H01R 13/72 320/114
2016/0028430	A1	1/2016	Crawford	
2016/0101902	A1	4/2016	Kim	
2016/0204817	A1	7/2016	Kim	
2016/0269516	A1 *	9/2016	Kim	H04M 1/04
2016/0285301	A1	9/2016	Kim	
2016/0374443	A1	12/2016	Kim	
2017/0150792	A1	6/2017	Kim	
2017/0155418	A1 *	6/2017	Kim	H04B 1/3888
2017/0230072	A1	8/2017	Kim	

OTHER PUBLICATIONS

Spigen Tough Armor Case with Kickstand for Samsung Galaxy S7 Edge, earliest customer review on Mar. 16, 2016, URL:<<https://www.amazon.com/Spigen-Kickstand-Extreme-Protection-Technology/dp/B01A7IDNWQ>>, retrieved from internet on Feb. 27, 2019.*

“Spigen Tough Armor Galaxy Note 4 Case with Extreme Heavy Duty Protection and Air Cushion Technology for Samsung Galaxy Note 4 2014—Gunmetal”, <https://www.amazon.com/dp/B00MAWQU14>, Earliest review date of Oct. 9, 2014.

“Spigen Tough Armor Galaxy S5 Case with Extreme Heavy Duty Protection and Air Cushion Technology for Samsung Galaxy S5 2014—Gunmetal”, <https://www.amazon.com/dp/B0013UWDV8>, Earliest review date of Mar. 9, 2014.

“Spigen Tough Armor Galaxy S6 Case with Kickstand and Air Cushion Technology for Galaxy S6 2015—Gunmetal”, <https://www.amazon.com/dp/B00QU4PUKK>, Earliest review date of Mar. 23, 2015.

“Spigen Tough Armor Galaxy S6 Edge Case with Kickstand and Extreme Heavy Duty Protection and Air Cushion Technology for Galaxy S6 Edge 2015—Gunmetal”, <https://www.amazon.com/dp/B00SV63L38>, Earliest review date of Mar. 12, 2015.

“Spigen Tough Armor Galaxy S7 Case with Extreme Heavy Duty Protection and Air Cushion Technology for Samsung Galaxy S7 2016—Gunmetal”, <https://www.amazon.com/dp/B01A71D3PS>, Earliest review date of Feb. 25, 2016.

“Spigen Tough Armor Galaxy S7 Edge Case with Kickstand and Extreme Heavy Duty Protection and Air Cushion Technology for Samsung Galaxy S7 Edge 2016—Gunmetal”, <https://www.amazon.com/dp/B01A7IDNWQ>, Earliest review date of Feb. 24, 2016.

“Spigen Tough Armor iPhone 6 Case with Extreme Heavy Duty Protection and Air Cushion Technology for iPhone 6S / iPhone 6—Smooth Black”, <https://www.amazon.com/dp/B00N55X23I>, Earliest review date of Aug. 14, 2014.

“Spigen Tough Armor iPhone 6S Case with Extreme Heavy Duty Protection and Air Cushion Technology for iPhone 6S 2015—Rose Gold”, <https://www.amazon.com/dp/B013TKNNGK>, Earliest review date of Aug. 30, 2015.

“Spigen Tough Armor iPhone 6S Plus Case with Kickstand and Heavy Duty Air Cushion Technology Protection for iPhone 6S Plus 2015—Gunmetal”, <https://www.amazon.com/dp/B010MVQJPQ>, Earliest review date of Sep. 9, 2015.

“Spigen Tough Armor iPhone 7 Case with Extreme Heavy Duty Protection and Air Cushion Technology for iPhone 7 2016—Black”, <https://www.amazon.com/dp/B01GIVX301>, Earliest review date of Sep. 9, 2016.

“Spigen Tough Armor iPhone 7 Plus / iPhone 8 Plus Case with Extreme Heavy Duty Protection and Air Cushion Technology with Kickstand for Apple iPhone 7 Plus 2016 / iPhone 8 Plus 2017—Rose Gold”, <https://www.amazon.com/dp/B01GIWGE8A>, Earliest review date of Sep. 6, 2016.

“Spigen Tough Armor iPhone Se Case with Extreme Heavy Duty Protection and Air Cushion Technology for iPhone SE 2016—Black”, <https://www.amazon.com/dp/B01BEJB9XM>, Earliest review date of Apr. 7, 2016.

“Spigen Tough Armor iPhone SE/5S/5 Case with Extreme Heavy Duty Protection and Air Cushion Technology for iPhone SE/iPhone 5S/iPhone 5—Metal Slate”, <https://www.amazon.com/dp/B00DMKGPP4>, Earliest review date of Aug. 1, 2013.

“Spigen Tough Armor LG G5 Case with Reinforced Kickstand and Heavy Duty Protection and Air Cushion Technology for LG G5 (2016)—Gunmetal”, <https://www.amazon.com/dp/B01B1GQL61>, Earliest review date of Mar. 11, 2016.

“Spigen Slim Armor Galaxy Note 5 Case with Air Cushion Technology and Hybrid Drop Protection for Galaxy Note 5 2015—Metal Slate”, <https://www.amazon.com/dp/B010MWGZJ0>, Earliest review date of Aug. 21, 2015.

“Spigen Slim Armor Galaxy Note 4 Case with Air Cushion Technology and Hybrid Drop Protection for Samsung Galaxy Note 4 2014—Shimmery White”, <https://www.amazon.com/dp/B00MAWQPJQ>, Earliest review date of Oct. 7, 2014.

“Spigen Slim Armor Galaxy S5 Case with Air Cushion Technology and Hybrid Drop Protection for Samsung Galaxy S5 2014—Metal Slate”, <https://www.amazon.com/dp/B00I3UWD7C>, Earliest review date of Apr. 11, 2014.

“Spigen Slim Armor Galaxy S6 Case with Air Cushion Technology and Kickstand for Galaxy S6 2015—Shimmery White”, <https://www.amazon.com/dp/B00QU4NQMY>, Earliest review date of Mar. 21, 2015.

“Spigen Slim Armor Galaxy S6 Edge Case with Kickstand and Air Cushion Technology and Hybrid Drop Protection for Galaxy S6 Edge 2015—Gunmetal”, <https://www.amazon.com/dp/B00SV638ZE>, Earliest review date of Apr. 3, 2015.

“Spigen Slim Armor Galaxy S7 Case with Kickstand and Air Cushion Technology and Hybrid Drop Protection for Samsung Galaxy S7 2016—Violet”, <https://www.amazon.com/dp/B01AUR1D8K>, Earliest review date of Mar. 2, 2016.

“Spigen Slim Armor Galaxy S7 Edge Case with Kickstand and Air Cushion Technology and Hybrid Drop Protection for Samsung Galaxy S7 Edge 2016—Champagne Gold”, <https://www.amazon.com/dp/B01BEBBWY6>, Earliest review late of Feb. 26, 2016.

“Spigen Slim Armor LG G5 Case with Air Cushion Technology and Hybrid Drop Protection for LG G5 2016—Shimmery White”, <https://www.amazon.com/dp/B01B1GQIHA>, Earliest review date of Apr. 7, 2016.

“Spigen Slim Armor LG V10 Case with Air Cushion Technology and Hybrid Drop Protection for LG V10—Gunmetal”, <https://www.amazon.com/dp/B016X1FODW>, Earliest review date of Nov. 16, 2015.

* cited by examiner

Primary Examiner — Carla J Wright

(74) *Attorney, Agent, or Firm* — Heedong Chae; Lucem, PC

(57) **CLAIM**

The ornamental design for a case for electronic communications device, as shown and described.

DESCRIPTION

FIG. 1 is a front perspective view of a case for electronic communications device showing my new design;

FIG. 2 is a rear perspective view thereof;

FIG. 3 is a front elevational view thereof;

FIG. 4 is a rear elevational view thereof;

FIG. 5 is a left side elevational view thereof;

FIG. 6 is a right side elevational view thereof;

FIG. 7 is a top plan view thereof;

FIG. 8 is a bottom plan view thereof;

FIG. 9 is a front perspective view showing the inner shell component of the case in isolation;

FIG. 10 is a rear perspective view showing the inner shell component of the case in isolation;

FIG. 11 is a front perspective view showing the outer frame component of the case in isolation;

FIG. 12 is a rear perspective view showing the outer frame component of the case in isolation;

FIG. 13 is a front perspective view showing the support leg component of the case in isolation;

FIG. 14 is a rear perspective view showing the support leg component of the case in isolation;

FIG. 15 is an exploded front perspective view showing the components of the case separated;

FIG. 16 is an exploded rear perspective view showing the components of the case separated;

FIG. 17 is a rear perspective view of the case showing the support leg in an extended position; and,

FIG. 18 is an enlarged detail view of the encircled region of FIG. 2.

For clarity of disclosure, the components of the case are shown in isolation in FIGS. 9-14 and separated in FIGS. 15-16. Although the case for electronic communications device, in which the claimed design is embodied, consists of an inner shell component, an outer frame component, and a support leg component, the claim is directed to the overall ornamental appearance of the case for electronic communications device in its entirety and does not extend to the ornamental appearance of each of the individual components.

The dot-dash broken line circle in FIGS. 2 and 18 delineates a portion of the case for electronic communications device that is part of the claimed design and that is shown on an enlarged scale in FIG. 18. The dashed broken lines throughout the drawing figures depict portions of the case for electronic communications device that form no part of the claimed design. The broken lines, and regions bounded by dashed broken lines, and the interior of the case shown in FIGS. 1, 3, 9, and 15 form no part of the claimed design.

1 Claim, 18 Drawing Sheets

FIG. 1

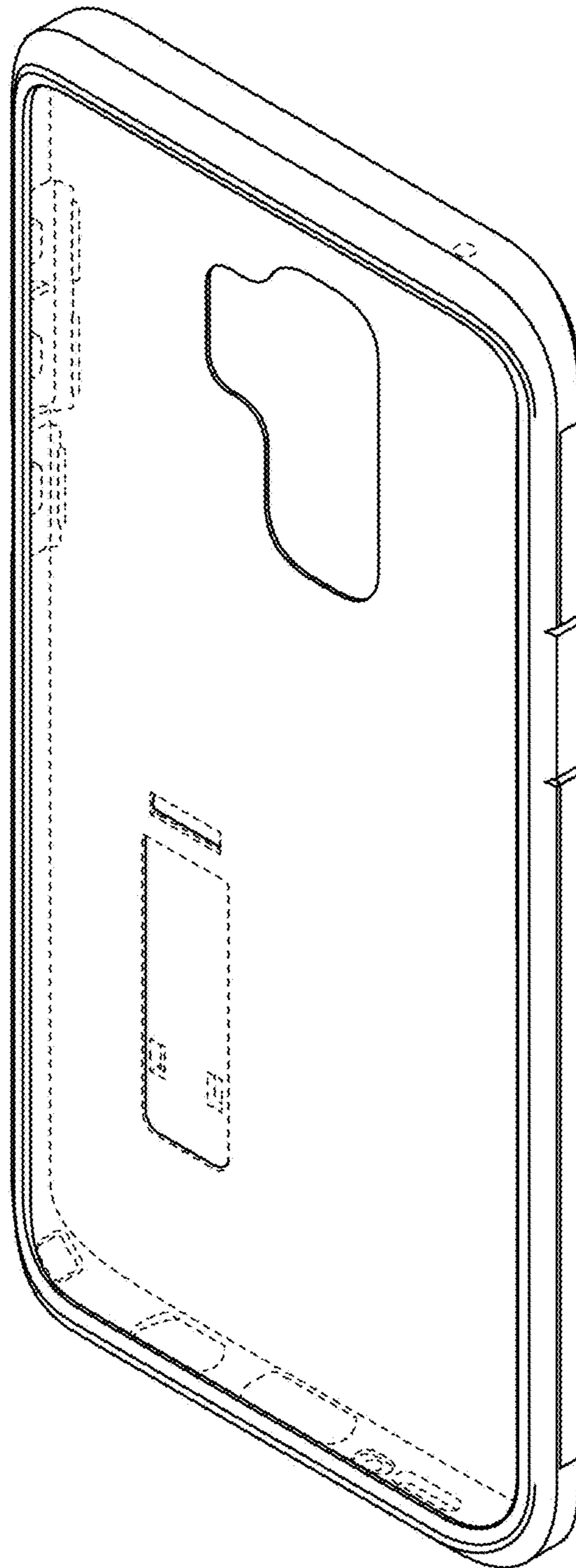


FIG. 2

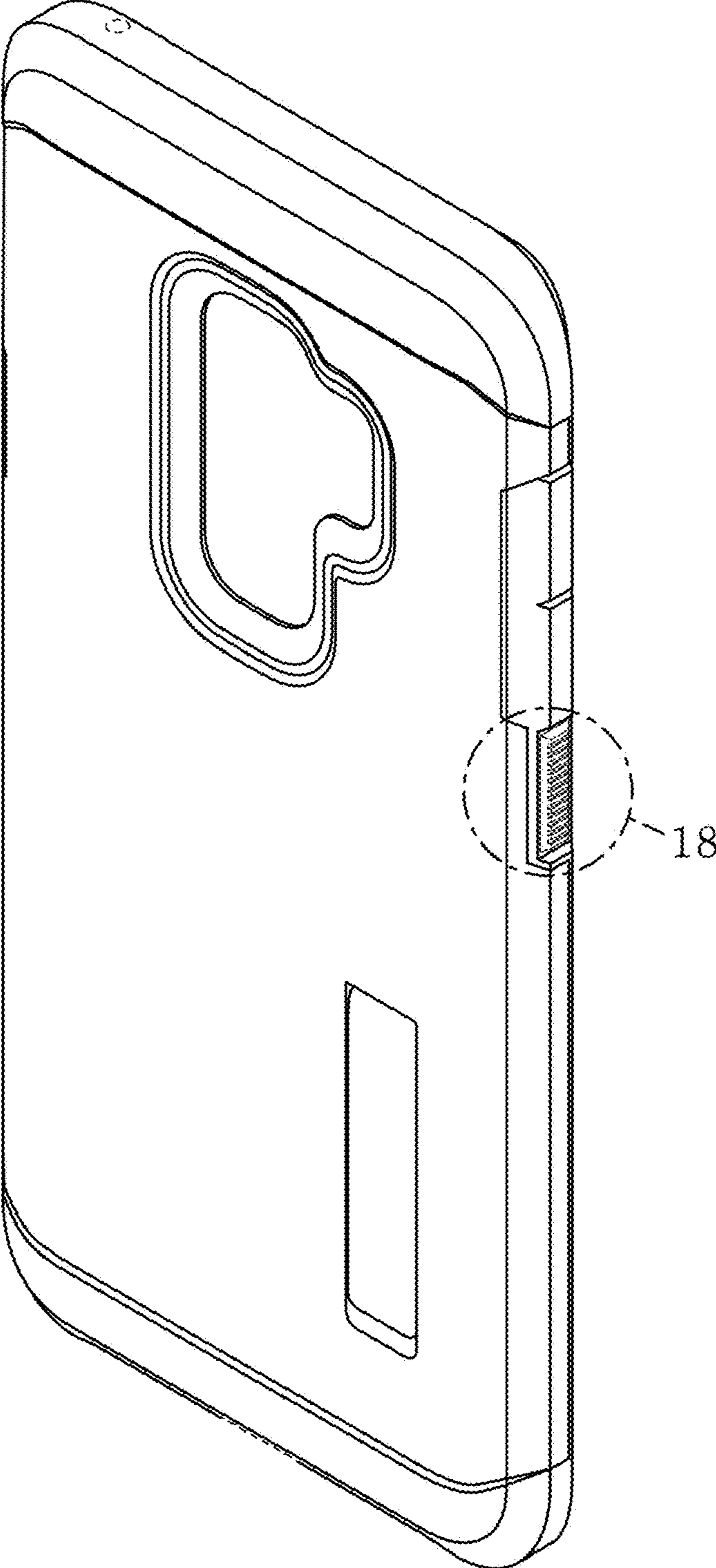


FIG. 3

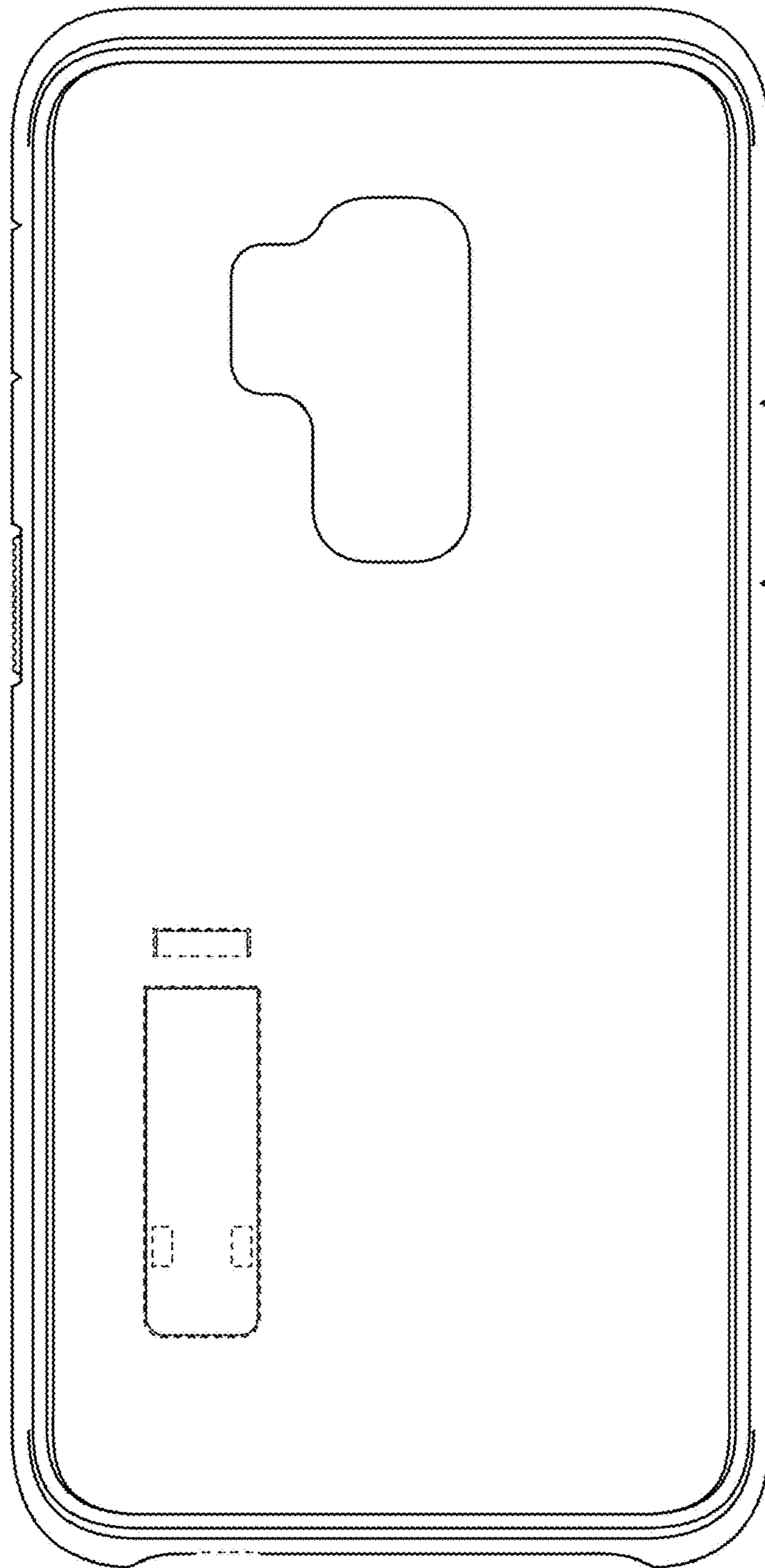


FIG. 4

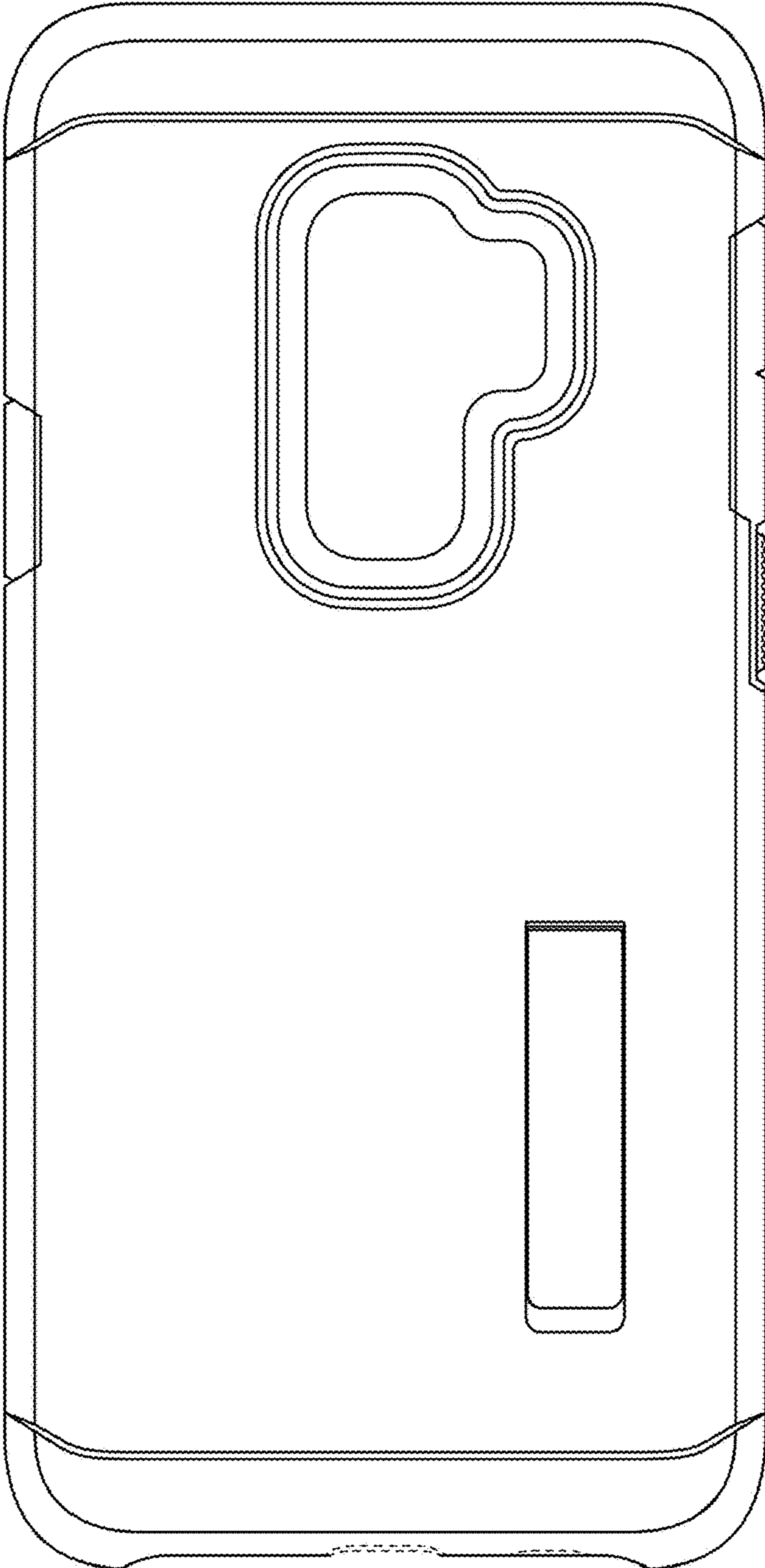


FIG. 5

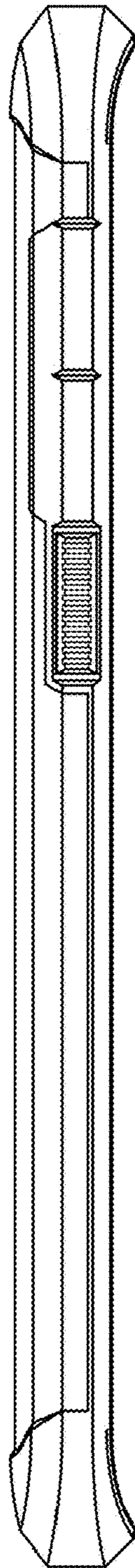


FIG. 6

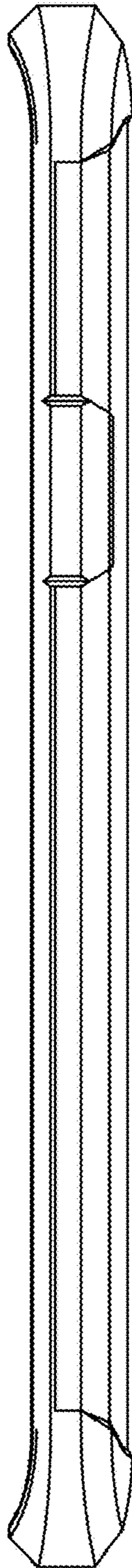


FIG. 7

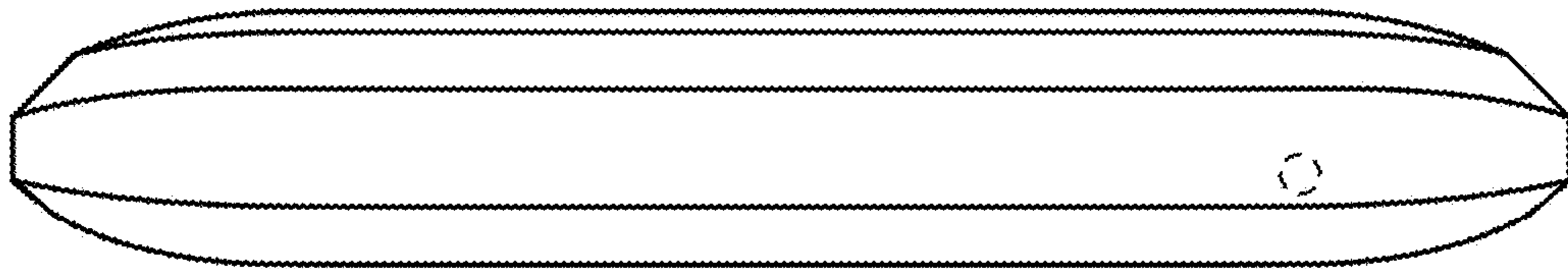


FIG. 8

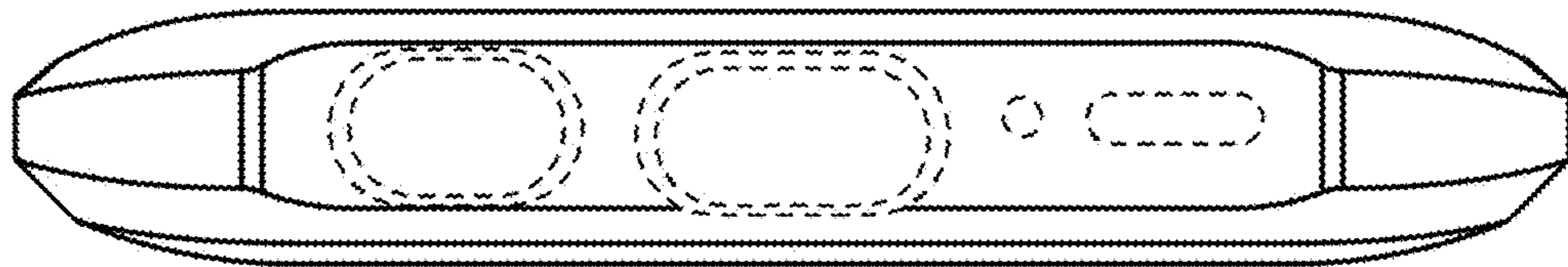


FIG. 9

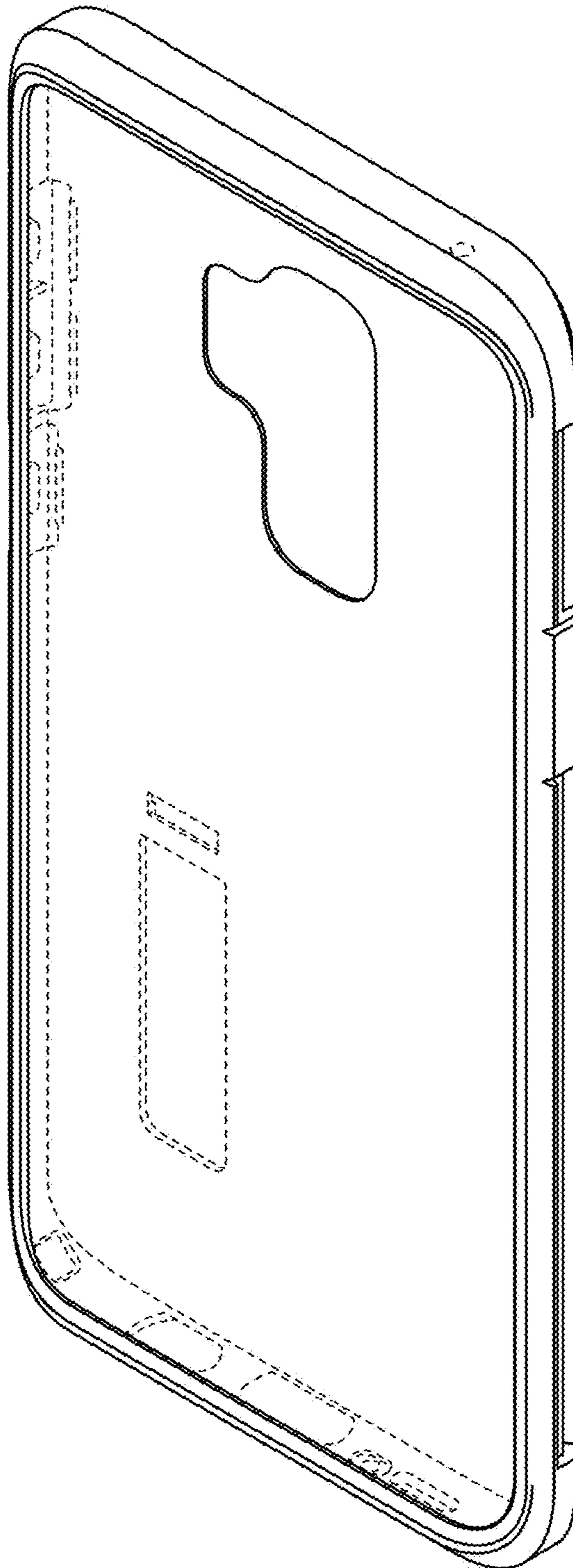


FIG. 10

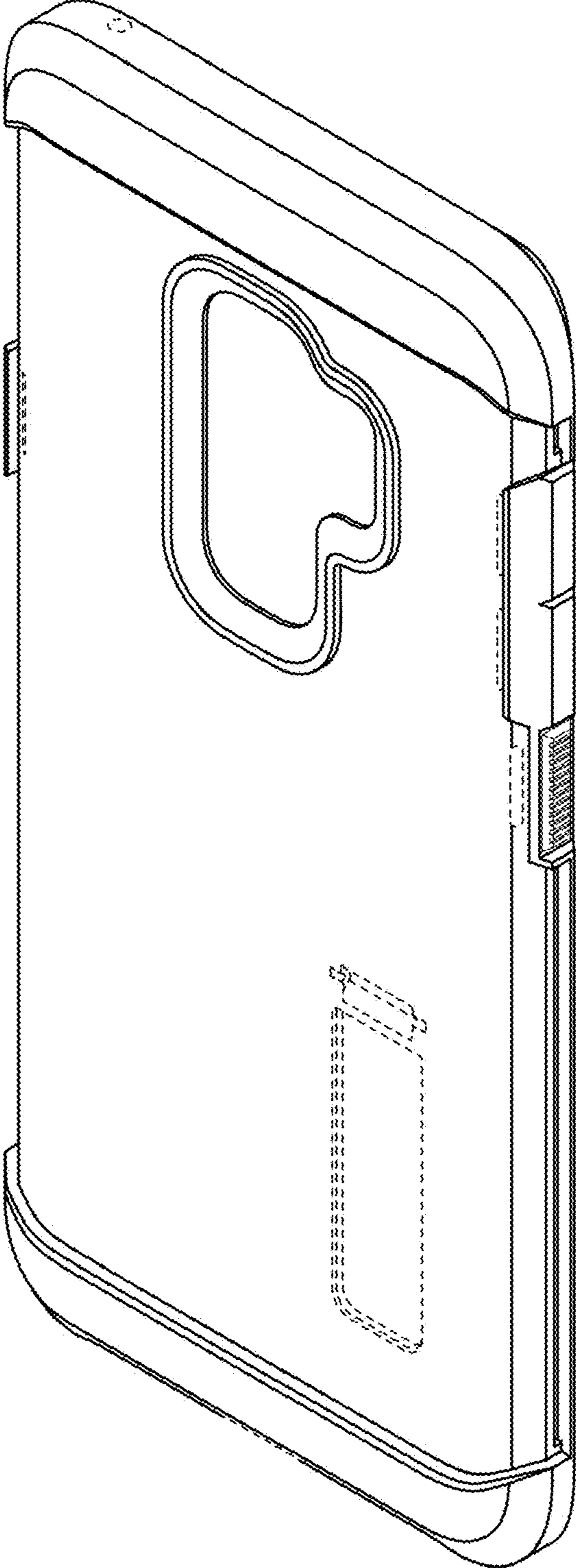


FIG. 11

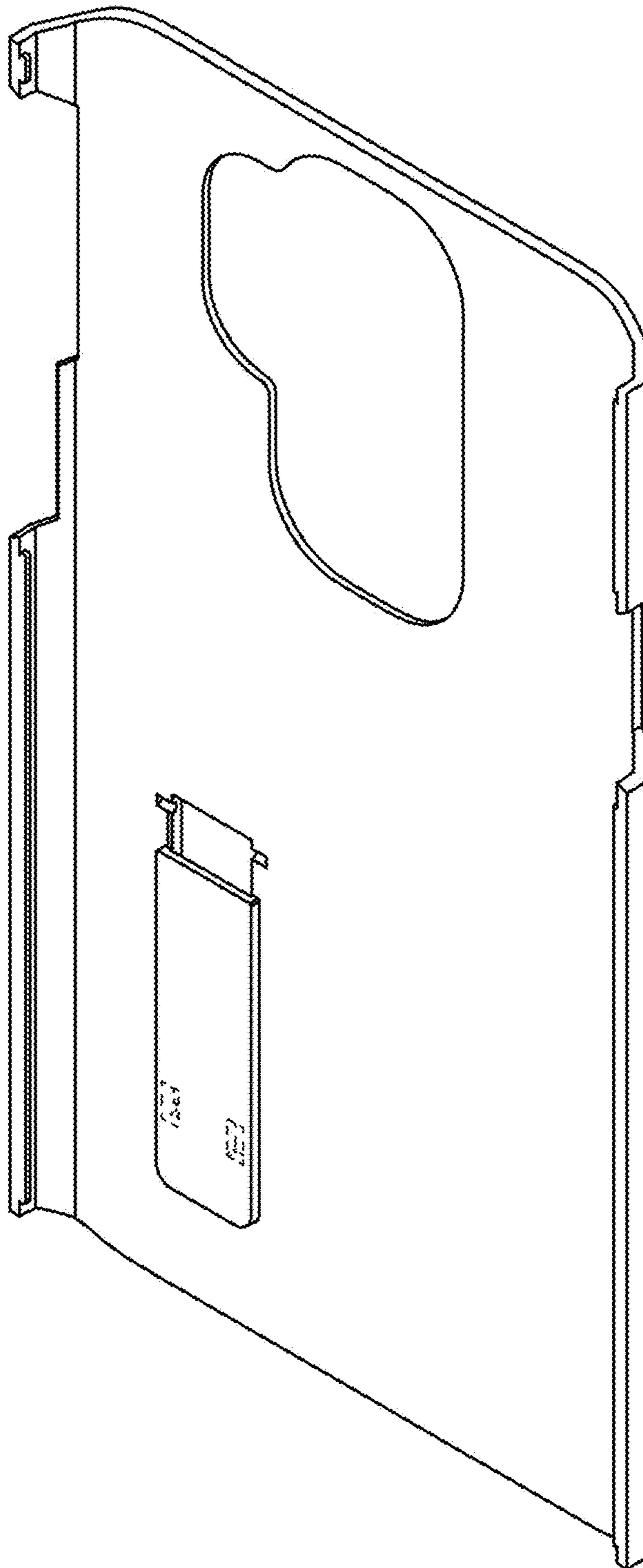


FIG. 12

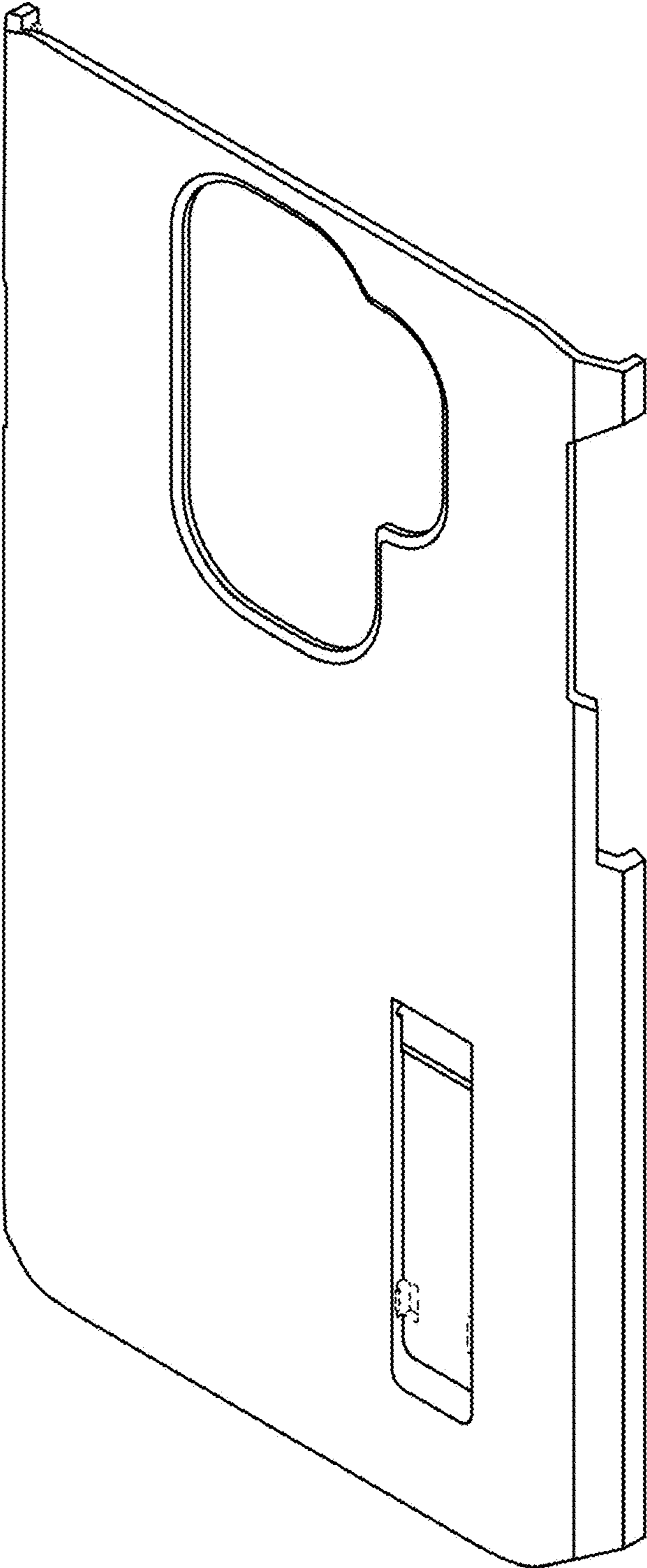


FIG. 13

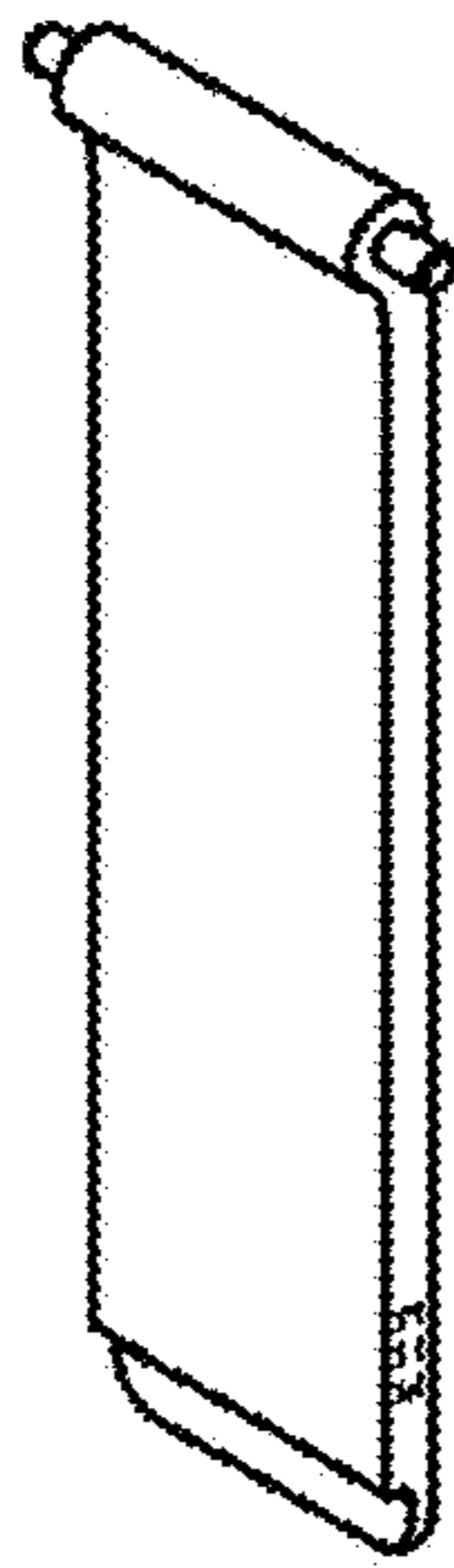


FIG. 14

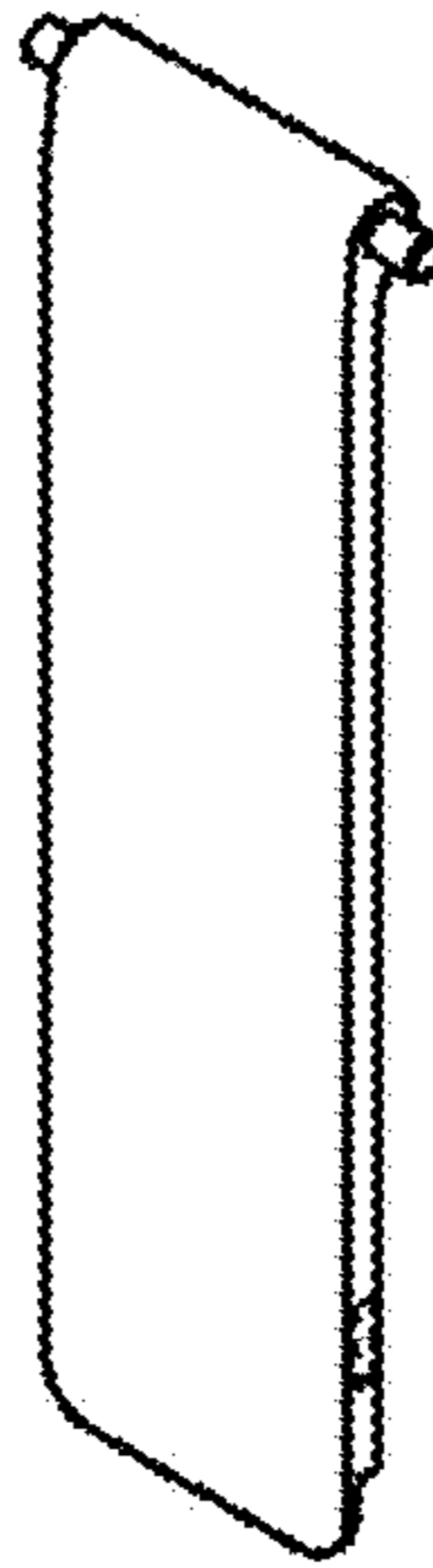


FIG. 15

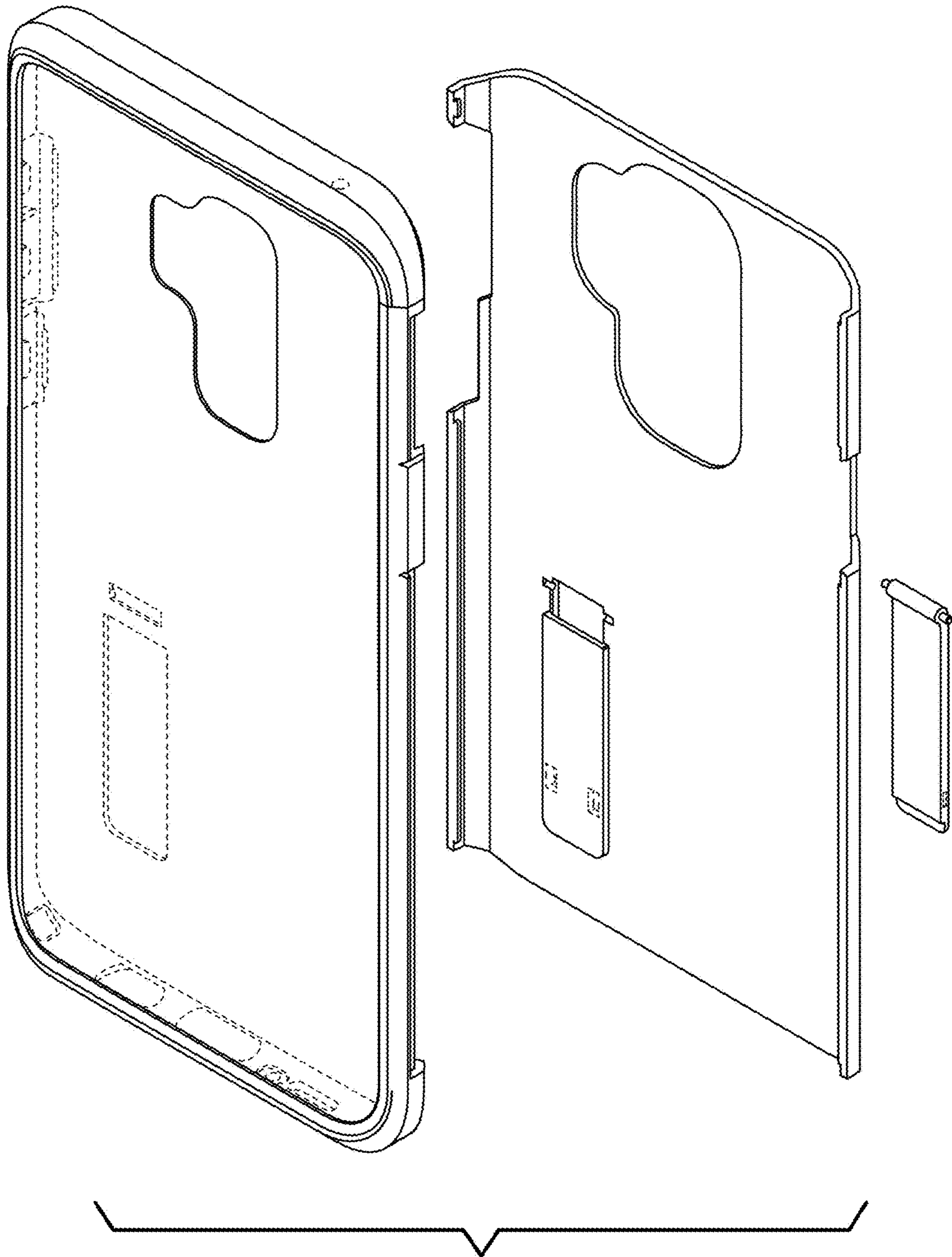


FIG. 16

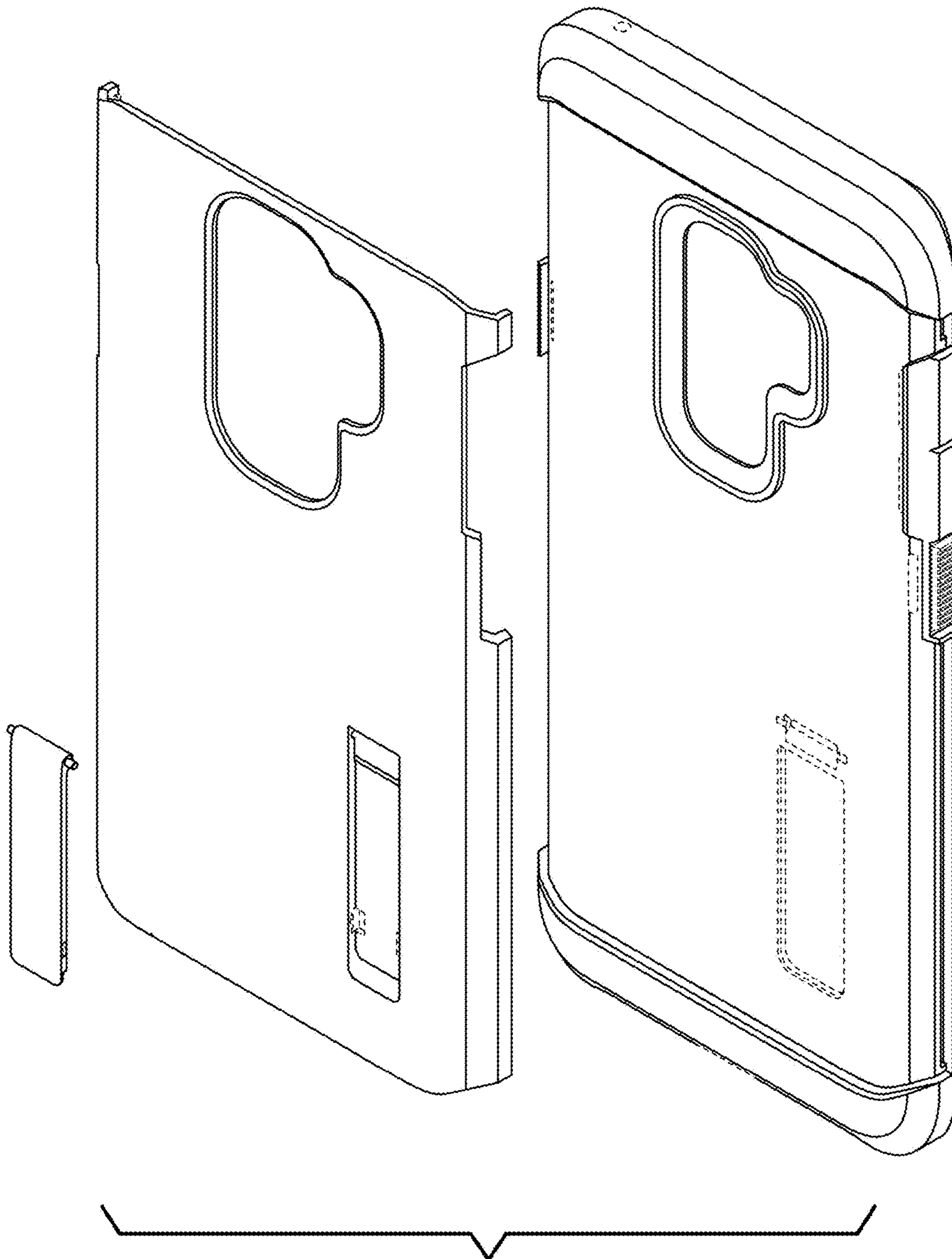


FIG. 17

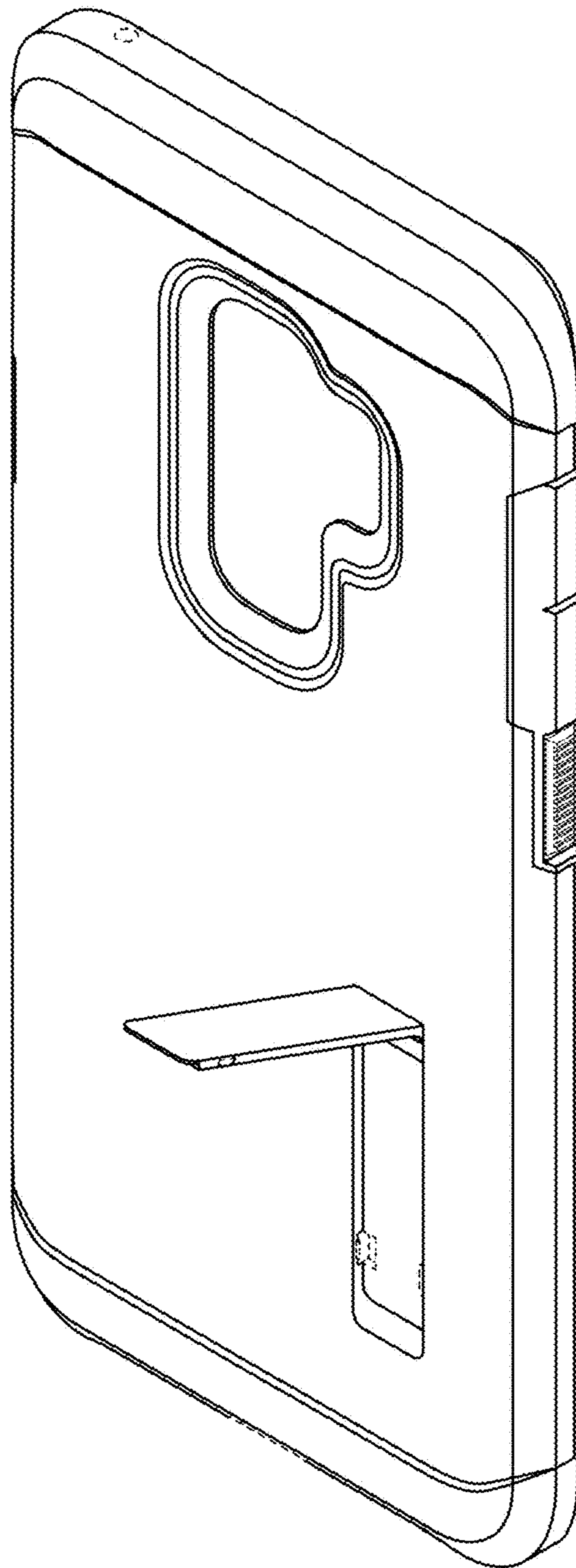


FIG. 18

