



US00D890154S

(12) **United States Design Patent** (10) **Patent No.:** **US D890,154 S**  
**Kim** (45) **Date of Patent:** **\*\* \*Jul. 14, 2020**

- (54) **PHONE CASE**
- (71) Applicant: **Spigen, Inc.**, Irvine, CA (US)
- (72) Inventor: **Woo Jin Kim**, Fullerton, CA (US)
- (73) Assignee: **SPIGEN, INC.**, Irvine, CA (US)
- (\* ) Notice: This patent is subject to a terminal disclaimer.
- (\*\*) Term: **15 Years**
- (21) Appl. No.: **29/617,750**
- (22) Filed: **Sep. 15, 2017**
- (51) **LOC (12) Cl.** ..... **14-03**
- (52) **U.S. Cl.**  
USPC ..... **D14/250**
- (58) **Field of Classification Search**  
USPC ..... D14/143, 189, 203.2–203.7, 217, 238.1,  
D14/240, 248, 250–253, 440, 447, 496;  
D3/201, 218, 247–251, 269, 273, 301,  
D3/303; D13/103, 107–108, 119;  
D5/32–39  
CPC ..... A45C 1/06; A45C 11/00; A45C 13/02;  
A45C 2011/002; A45F 2005/026; A45F  
2200/0525; A45F 2200/0516; H04B  
1/3888; H04M 1/0283; H04M 1/0202  
See application file for complete search history.

- (56) **References Cited**  
**U.S. PATENT DOCUMENTS**  
D96,015 S \* 6/1935 Bruine ..... D5/56  
D574,819 S 8/2008 Andre et al.  
7,562,991 B2 \* 7/2009 Benson ..... G02B 5/124  
359/530  
D609,230 S 2/2010 Ferrari et al.  
D615,077 S 5/2010 Richardson et al.  
D615,536 S 5/2010 Richardson et al.  
D623,639 S 9/2010 Richardson et al.  
D623,640 S 9/2010 Freeman

- D643,029 S 8/2011 Feng
- D643,837 S 8/2011 Smith
- D645,015 S 9/2011 Lee et al.
- (Continued)

**OTHER PUBLICATIONS**

Caseology Parallax Series, posted at amazon.com, earliest date reviewed on Apr. 6, 2017, [online], acquired on May 16, 2018. Available from Internet, <URL: [https://www.amazon.com/Caseology-Parallax-Protective-Textured-Geometric/dp/B06XHT4P9M/ref=cm\\_cr\\_ar\\_p\\_d\\_product\\_top?ie=UTF8](https://www.amazon.com/Caseology-Parallax-Protective-Textured-Geometric/dp/B06XHT4P9M/ref=cm_cr_ar_p_d_product_top?ie=UTF8)> (Year: 2017).\*

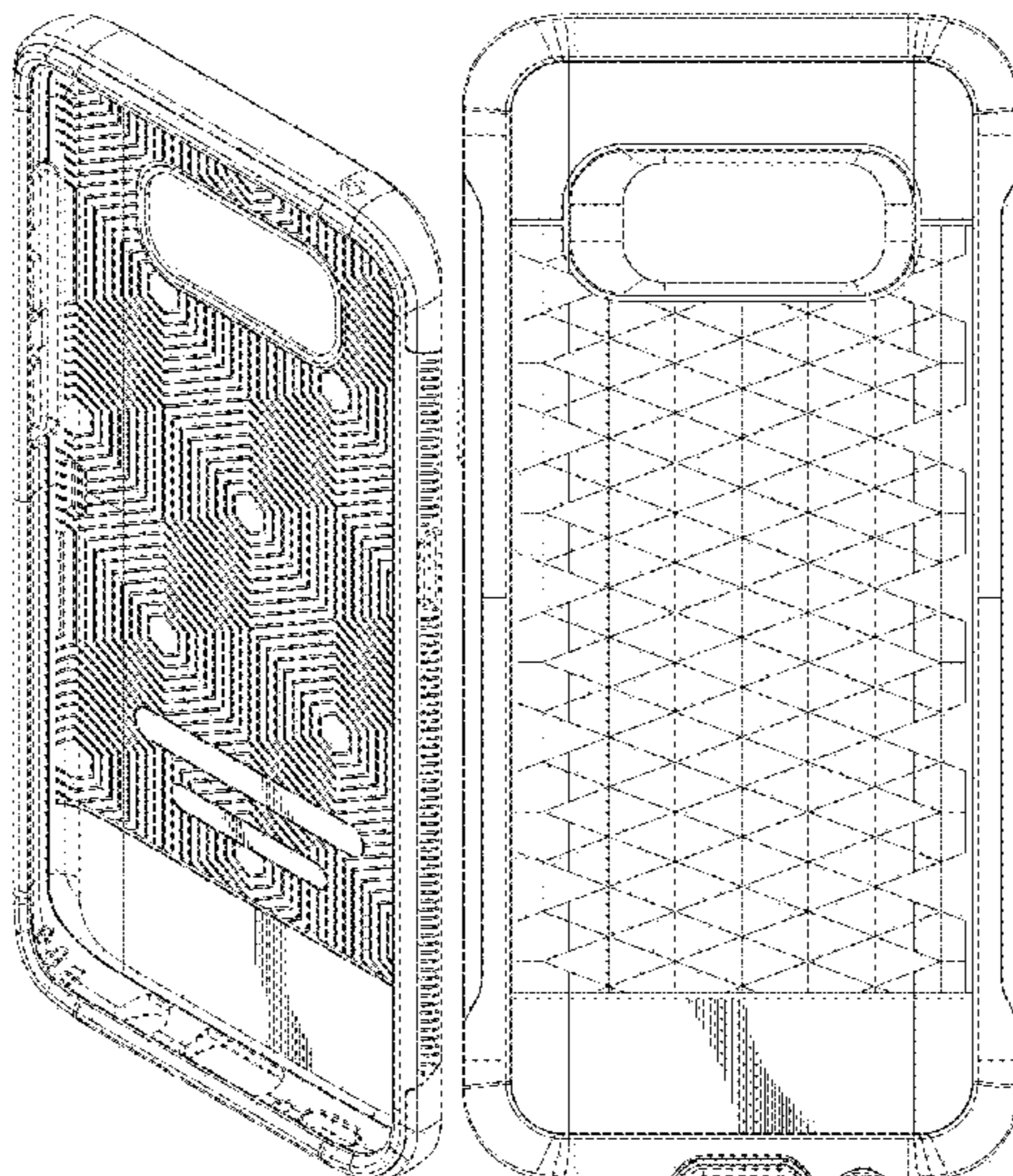
*Primary Examiner* — Lilyana Bekic  
*Assistant Examiner* — Aula Soroush  
(74) *Attorney, Agent, or Firm* — Heedong Chae; Lucem, PC

(57) **CLAIM**  
The ornamental design for a phone case, as shown and described.

**DESCRIPTION**

FIG. 1 is a top perspective view showing the top, front, and right sides as well as the inner left interior surface of a phone case;  
FIG. 2 is a bottom perspective view showing the bottom, front, and left sides as well as the inner right interior surface of the phone case;  
FIG. 3 is a further bottom perspective view showing the bottom, front, and right sides as well as the inner left interior surface of the phone case;  
FIG. 4 is a further bottom perspective view showing the bottom, left, and back sides of the phone case;  
FIG. 5 is a front elevation view of the phone case;  
FIG. 6 is a rear elevation view of the phone case;  
FIG. 7 is a left side elevation view of the phone case;  
FIG. 8 is a right side elevation view of the phone case;  
FIG. 9 is a top plan view of the phone case; and,  
FIG. 10 is a bottom plan view of the phone case.  
The broken lines in the drawings represent portions of the phone case that form no part of the claimed design.

**1 Claim, 10 Drawing Sheets**



(56)

References Cited

U.S. PATENT DOCUMENTS

D645,834 S	9/2011	Lee et al.	
D662,929 S	7/2012	Fahrendorff et al.	
D671,930 S	12/2012	Akana et al.	
D673,539 S	1/2013	Magness et al.	
D674,789 S	1/2013	Wen	
D679,695 S	4/2013	Fahrendorff et al.	
D694,224 S	11/2013	Wooseung	
D696,238 S	12/2013	Murchison et al.	
D696,240 S	12/2013	Kim et al.	
D703,656 S *	4/2014	Witter .....	D14/250
D709,649 S	4/2014	Wikel et al.	
D704,684 S *	5/2014	Yeh .....	D14/248
D704,685 S *	5/2014	Yeh .....	D14/248
D706,255 S	6/2014	Akana et al.	
D709,869 S *	7/2014	Witter .....	D14/250
D714,276 S	9/2014	Hu et al.	
D721,071 S	1/2015	Nelson et al.	
D721,072 S	1/2015	Laffon de Mazieres et al.	
D721,360 S	1/2015	Laffon de Mazieres et al.	
D721,693 S	1/2015	Lee et al.	
D721,694 S	1/2015	Lee et al.	
D729,219 S *	5/2015	Yung .....	D14/250
D731,471 S *	6/2015	Song .....	D14/248
D734,747 S	7/2015	Seo et al.	
D737,259 S	8/2015	Choi	
D739,394 S	9/2015	Rayner et al.	
D740,796 S	10/2015	Kim et al.	
D741,845 S	10/2015	Kim	
D746,805 S	1/2016	Kim	
D754,978 S *	5/2016	Blakely .....	A41B 17/00 D5/56
D755,167 S *	5/2016	Chen .....	D14/248
D756,343 S	5/2016	Wall et al.	
D763,241 S	8/2016	Kim	
D765,627 S	9/2016	Watt	
D765,633 S	9/2016	Northrup et al.	
D765,638 S	9/2016	Gaylord et al.	
D767,554 S	9/2016	Bertrand et al.	
D771,027 S *	11/2016	Prstojevich .....	D14/250
D771,611 S *	11/2016	Chang .....	D14/250
D771,612 S	11/2016	Roberts et al.	
D771,613 S	11/2016	Poon et al.	
D773,445 S	12/2016	Witter et al.	
D776,647 S	1/2017	Kim	
D777,157 S	1/2017	Kim	
D777,159 S	1/2017	Lee et al.	
D779,471 S	2/2017	Tien	
D780,164 S	2/2017	Lee	
D780,165 S	2/2017	Lee	
D782,460 S *	3/2017	Bertrand .....	D14/250
D786,848 S	5/2017	Park et al.	
D786,849 S	5/2017	Park et al.	
D786,853 S	5/2017	Friedland et al.	
D786,854 S	5/2017	Friedland et al.	
D791,773 S *	7/2017	Moore .....	D14/440
D792,394 S	7/2017	Lee et al.	
D792,877 S *	7/2017	Kim .....	D14/250
D795,237 S	8/2017	Jung et al.	
D797,715 S	9/2017	Kim	
D798,286 S	9/2017	Roberts et al.	
D798,853 S	10/2017	Park et al.	
D800,714 S	10/2017	Lee et al.	
D801,322 S	10/2017	Song et al.	
D801,323 S	10/2017	Kim	
D808,373 S	1/2018	Brown et al.	
D808,943 S *	1/2018	Kamalandua Makasi ...	D14/250
D832,269 S	10/2018	Cheng	
D833,621 S	11/2018	Tolentino	
D838,710 S	1/2019	Wang	
D841,011 S	2/2019	Mecchella et al.	
D843,363 S	3/2019	Yan	
D847,807 S	5/2019	Wright et al.	

\* cited by examiner

FIG. 1

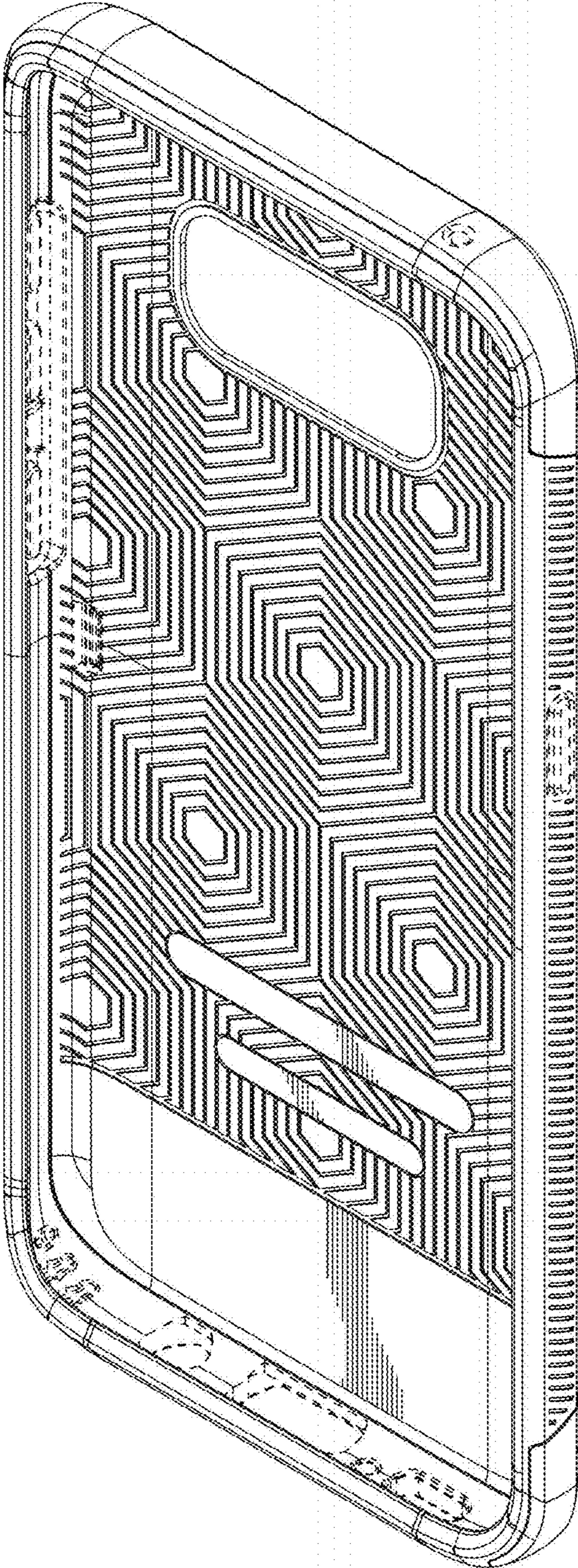


FIG. 2

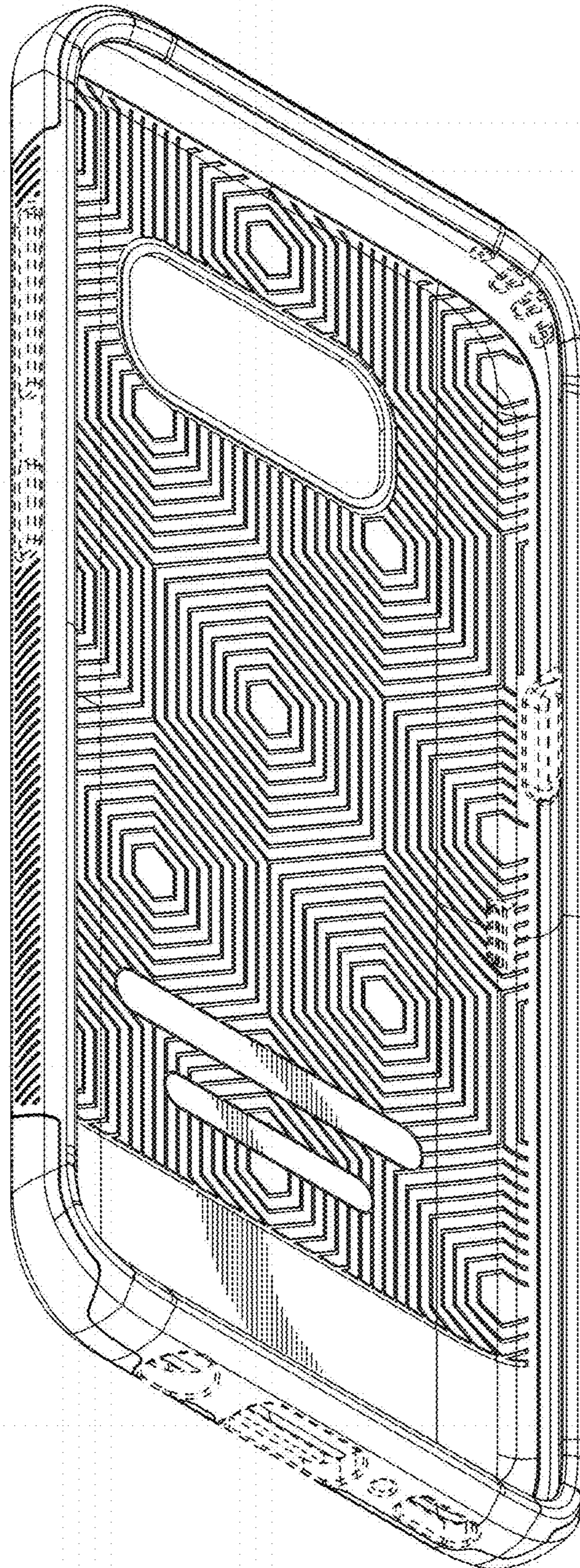


FIG. 3

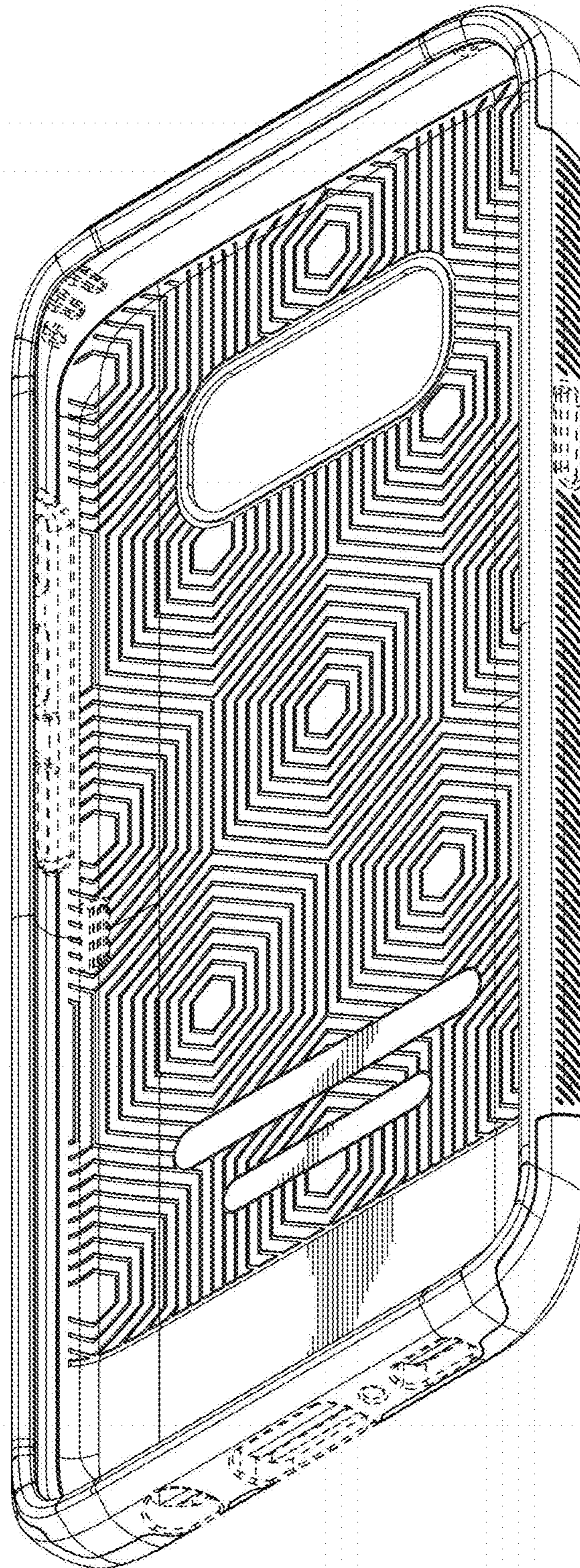


FIG. 4

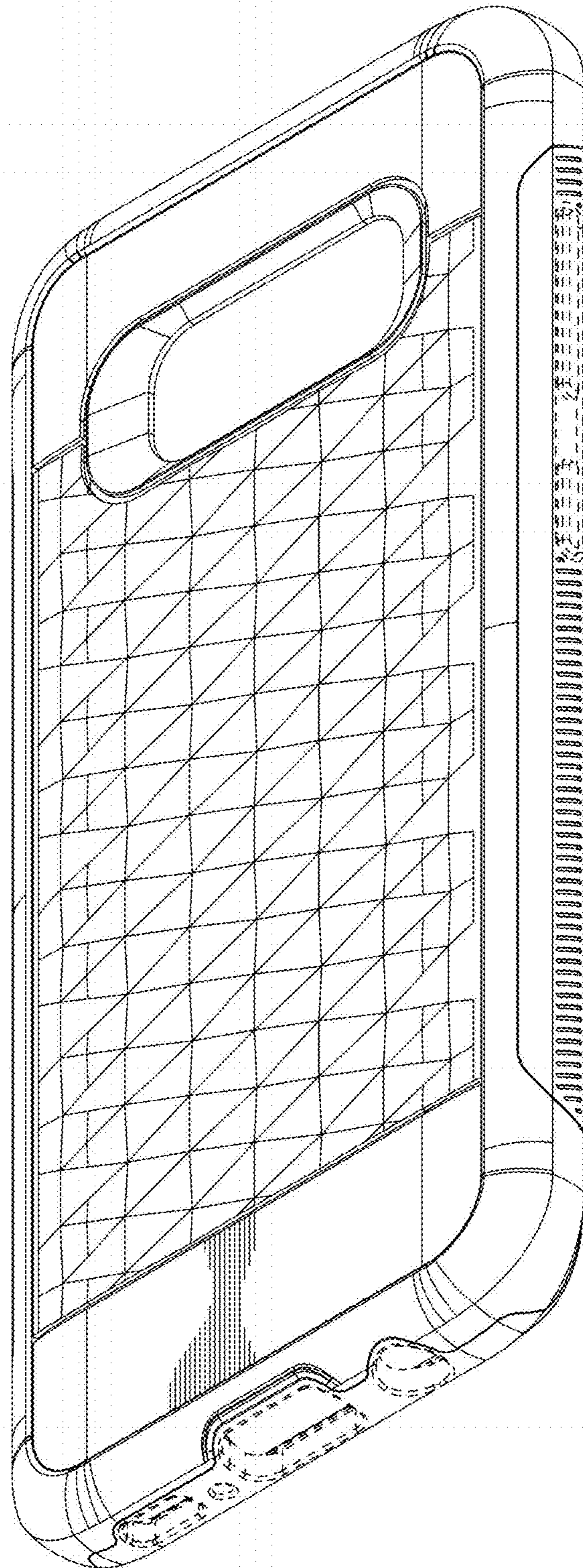


FIG. 5

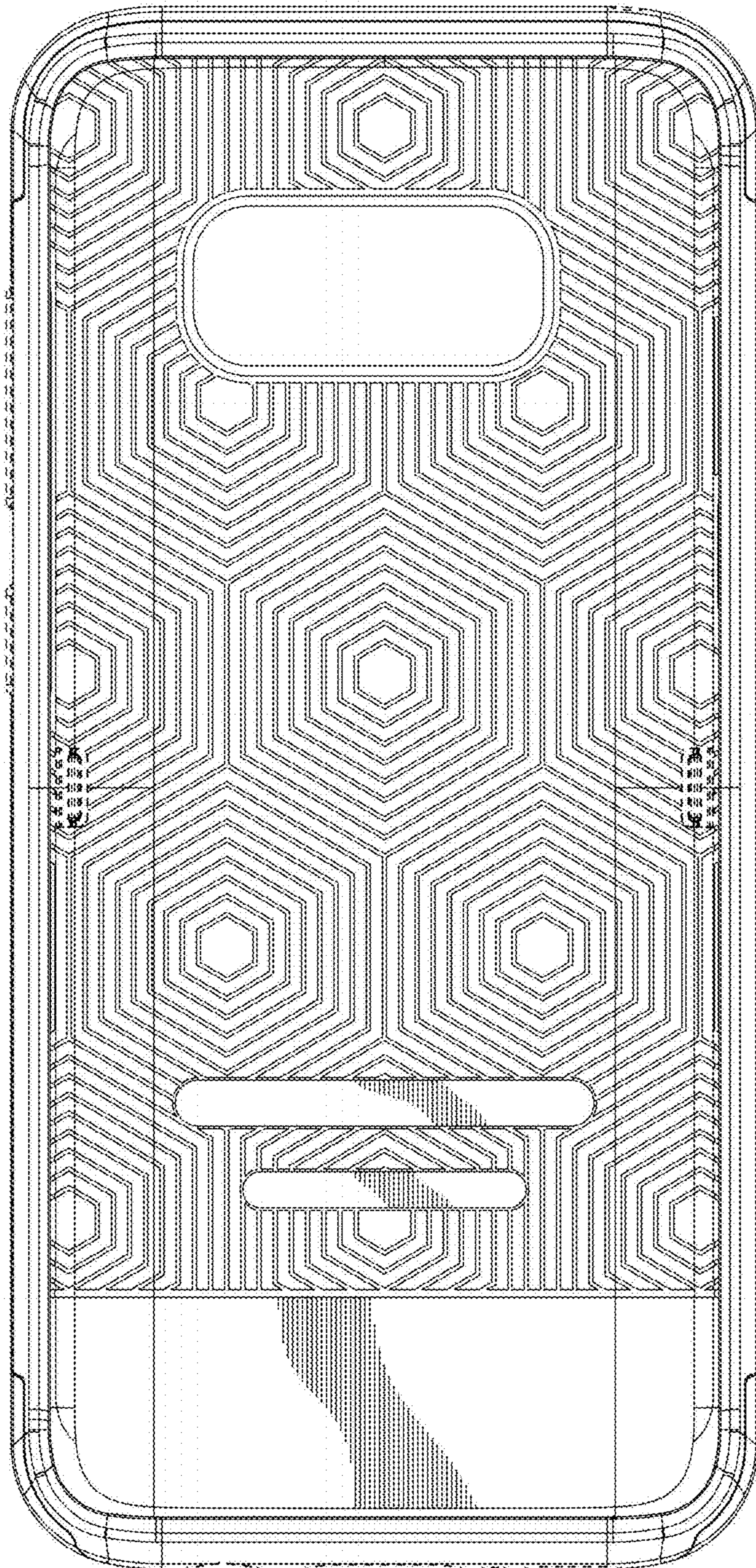


FIG. 6

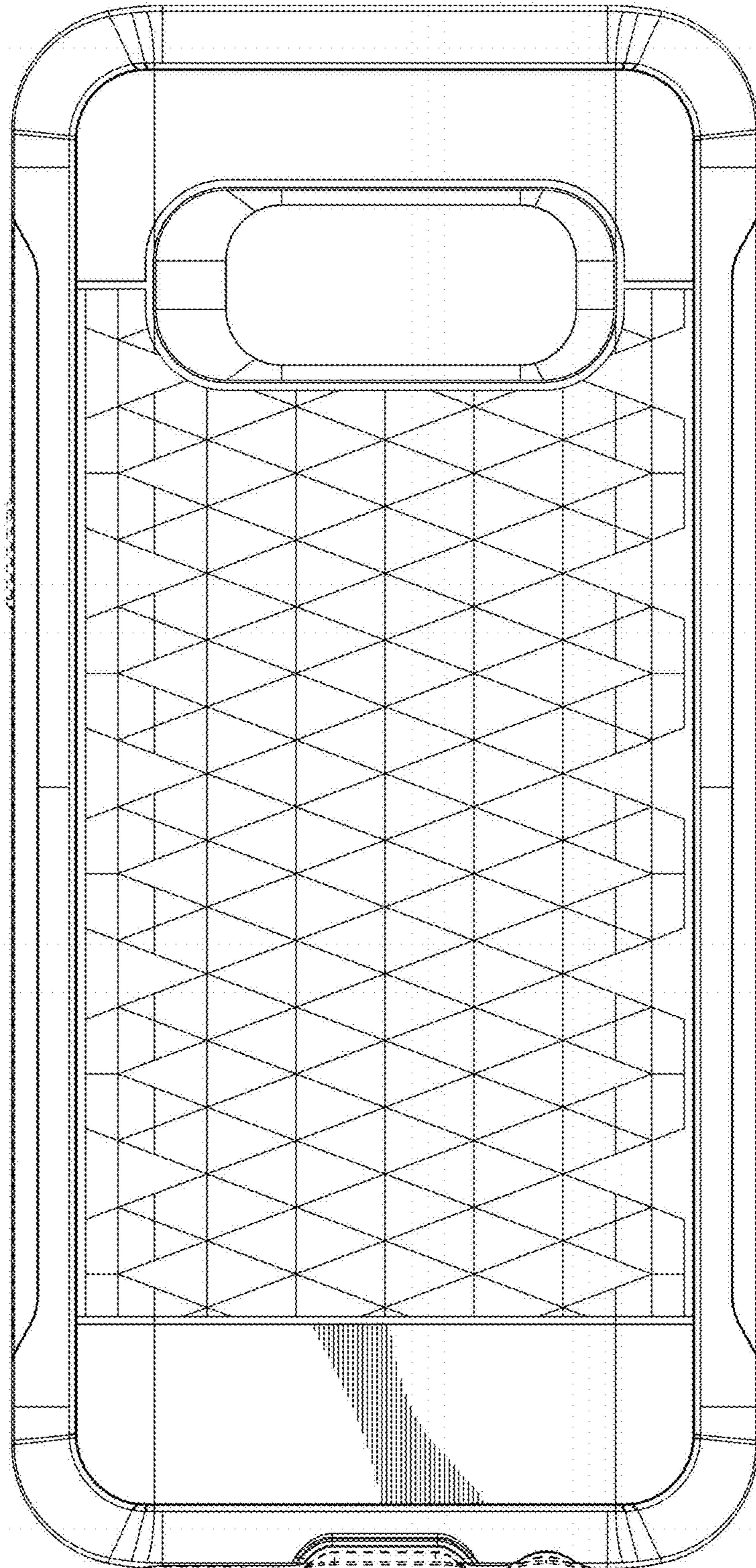




FIG. 7

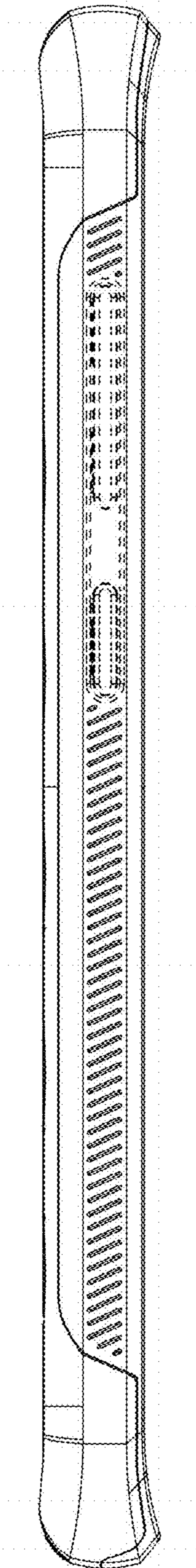


FIG. 8

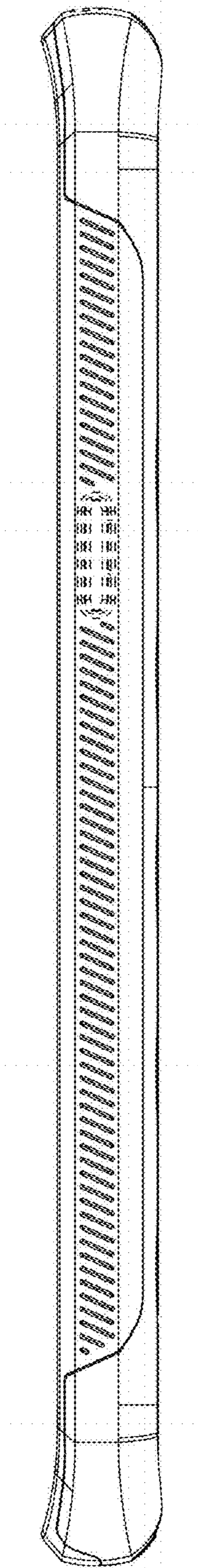


FIG. 9

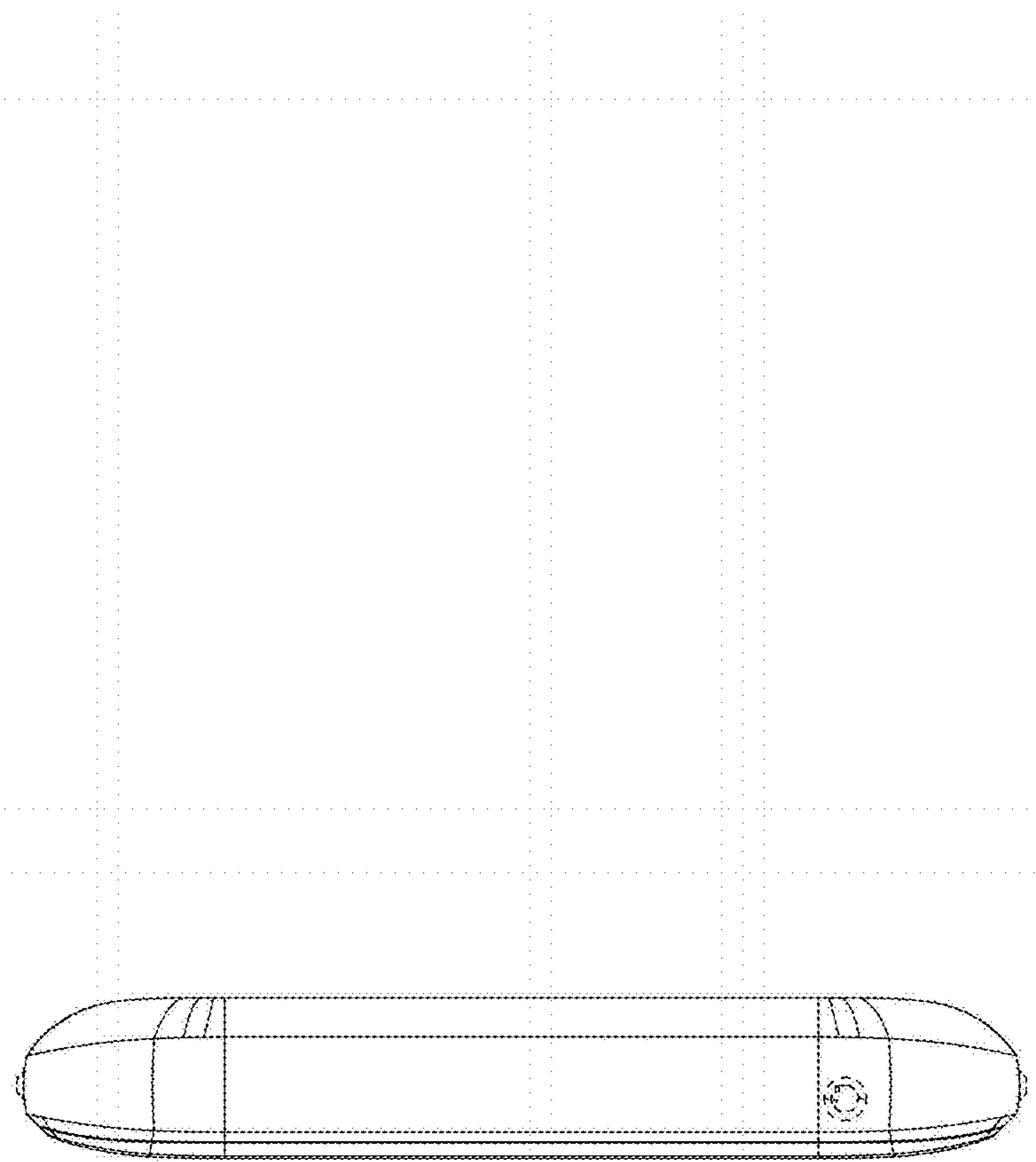


FIG. 10

