



US00D890151S

(12) **United States Design Patent**
Gao

(10) **Patent No.:** **US D890,151 S**

(45) **Date of Patent:** **** Jul. 14, 2020**

(54) **WIRELESS EXTENDER**

(71) Applicant: **SHENZHEN LENKENG TECHNOLOGY CO., LTD.**,
Shenzhen, Guangdong Province (CN)

(72) Inventor: **Binghai Gao**, Shenzhen (CN)

(73) Assignee: **SHENZHEN LENKENG TECHNOLOGY CO., LTD.**,
Shenzhen, Guangdong Province (CN)

(**) Term: **15 Years**

(21) Appl. No.: **29/678,761**

(22) Filed: **Jan. 30, 2019**

(30) **Foreign Application Priority Data**

Dec. 28, 2018 (CN) 2018 3 0766321

(51) **LOC (12) Cl.** **14-03**

(52) **U.S. Cl.**
USPC **D14/240; D14/125**

(58) **Field of Classification Search**
USPC D14/140, 240, 242, 358, 125, 129, 130,
D14/140.1, 142, 155, 167, 168, 172, 188,
D14/195, 203.1, 203.6, 299, 496, 348,
D14/351, 356, 357, 433, 434, 239;
D13/123, 152, 158, 162, 162.1, 163, 168,
D13/184, 199; D10/104.1, 106.1, 106.6,
D10/116.1, 61, 64, 75, 106.9
CPC . H04L 12/66; H04L 63/0853; H04L 63/0272;
H04L 63/083; H04L 63/105; H05K 7/20;
H05K 7/20154

See application file for complete search history.

(56) **References Cited**

U.S. PATENT DOCUMENTS

D462,954 S * 9/2002 Chen D14/299
D470,499 S * 2/2003 Salazar G09F 3/00
D14/433

D490,796 S * 6/2004 Allen D14/260
D509,819 S * 9/2005 Yang D14/203.4
D525,240 S * 7/2006 Hales D14/240
D531,130 S * 10/2006 Tan D13/152
D533,518 S * 12/2006 Hsiung D14/125
D542,242 S * 5/2007 Mathews Reynolds D14/125
D548,247 S * 8/2007 Lee D14/159
D552,076 S * 10/2007 Griffin D14/188
D556,705 S * 12/2007 Reynolds D14/125
D592,619 S * 5/2009 Woo D14/125
D612,867 S * 3/2010 Morabito D14/496

(Continued)

OTHER PUBLICATIONS

HDMI wireless extension devices. (Design—© Questel) orbit.com. [online PDF] 8 pgs. Print Dates range Jun. 14, 2019 through Nov. 15, 2019. [retrieved Mar. 10, 2020] <https://www.orbit.com/export/QPTUJ214/pdf2/b1b2fa04-fe0d-43ac-bafb-11f50731a391-194955.pdf>.*

Primary Examiner — Marie D. Fast Horse

(74) *Attorney, Agent, or Firm* — Cheng-Ju Chiang

(57) **CLAIM**

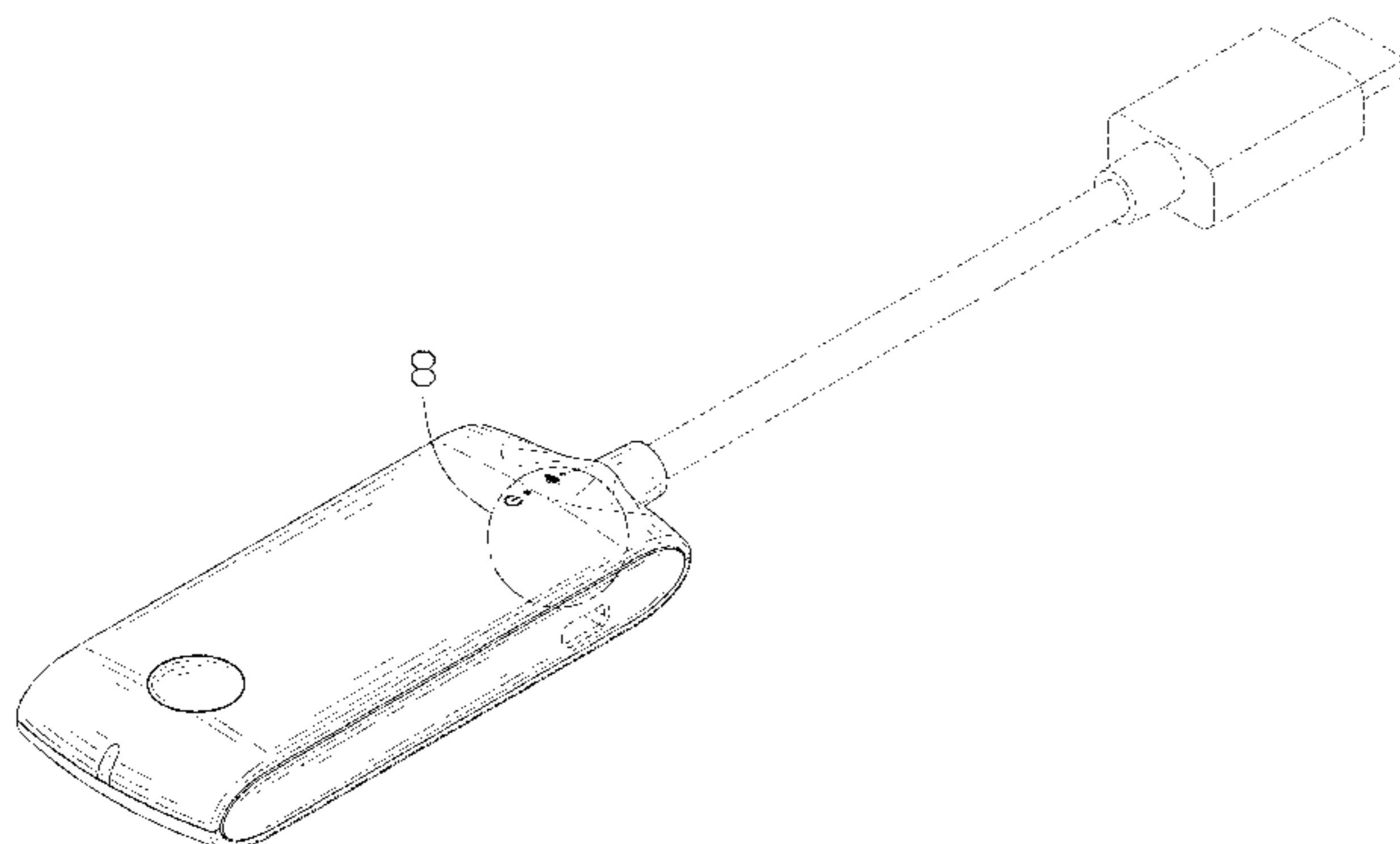
The ornamental design for a wireless extender, as shown and described.

DESCRIPTION

FIG. 1 is a perspective view of a wireless extender showing my new design;
FIG. 2 is a front view thereof;
FIG. 3 is a rear view thereof;
FIG. 4 is a left side view thereof;
FIG. 5 is a right side view thereof;
FIG. 6 is a top view thereof;
FIG. 7 is a bottom view thereof; and,
FIG. 8 is an enlarged view of an encircled part marked as “8” of FIG. 1.

The broken lines depict portions of the wireless extender that form no part of the claimed design.

1 Claim, 8 Drawing Sheets



(56)

References Cited

U.S. PATENT DOCUMENTS

D612,868 S *	3/2010	Morabito	D14/496
D625,737 S *	10/2010	van Alphen	D14/203.1
D644,624 S *	9/2011	Akana	D14/203.1
D661,286 S *	6/2012	McManigal	D14/240
D665,774 S *	8/2012	Akana	D14/203.1
D714,728 S *	10/2014	Gentil	D13/147
D759,638 S *	6/2016	Cheng	D14/242
D785,597 S *	5/2017	Fung	D14/204
D828,356 S *	9/2018	Xie	D14/433
D847,811 S *	5/2019	Shim	D14/356
D862,437 S *	10/2019	Lee	D14/242
D864,966 S *	10/2019	Sang	D14/434
D868,784 S *	12/2019	Turksu	D14/385

* cited by examiner

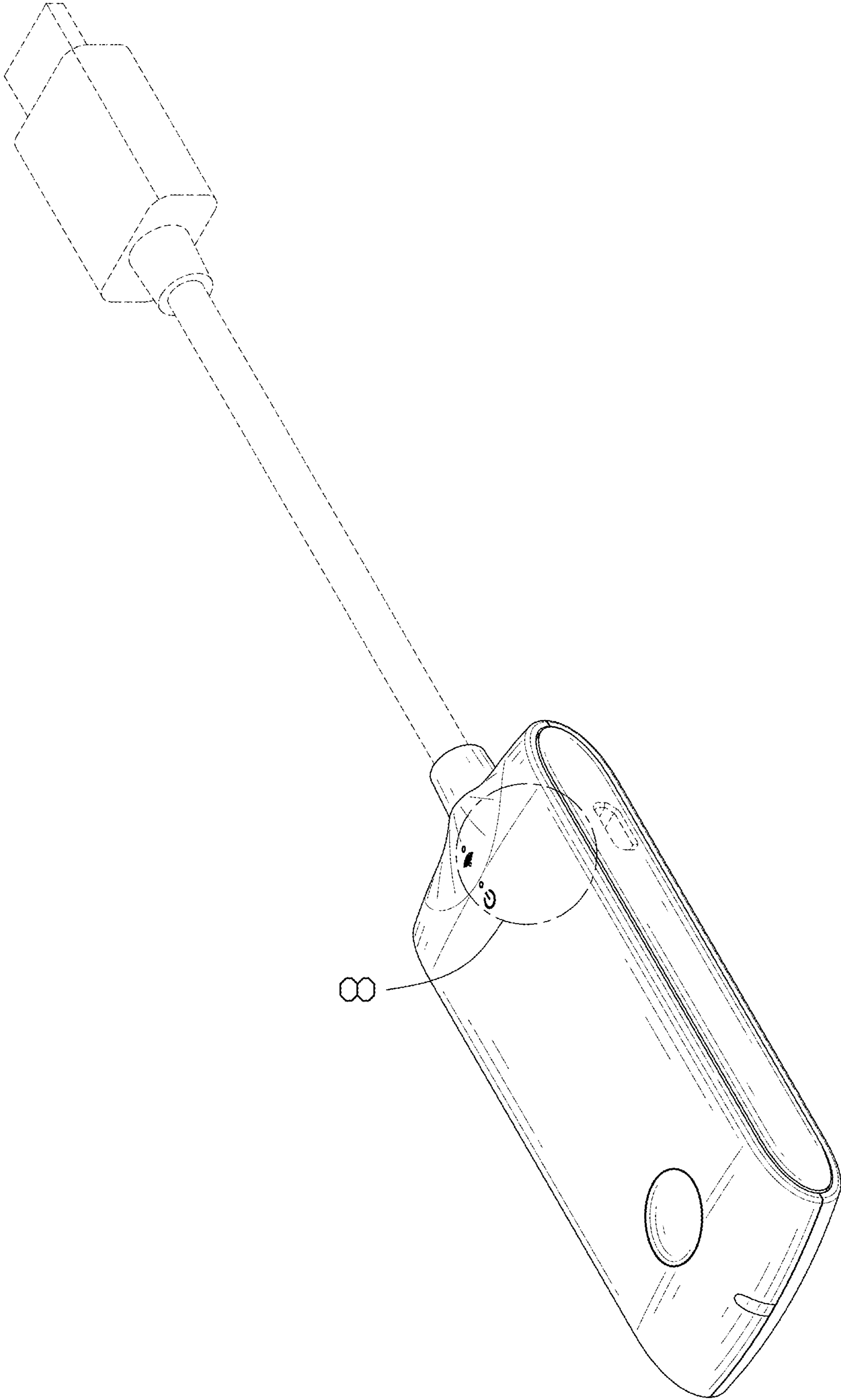


FIG. 1

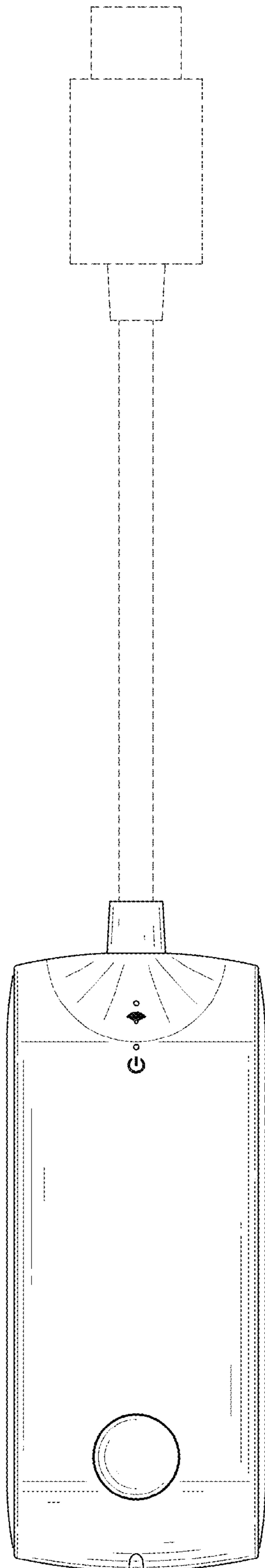


FIG. 2

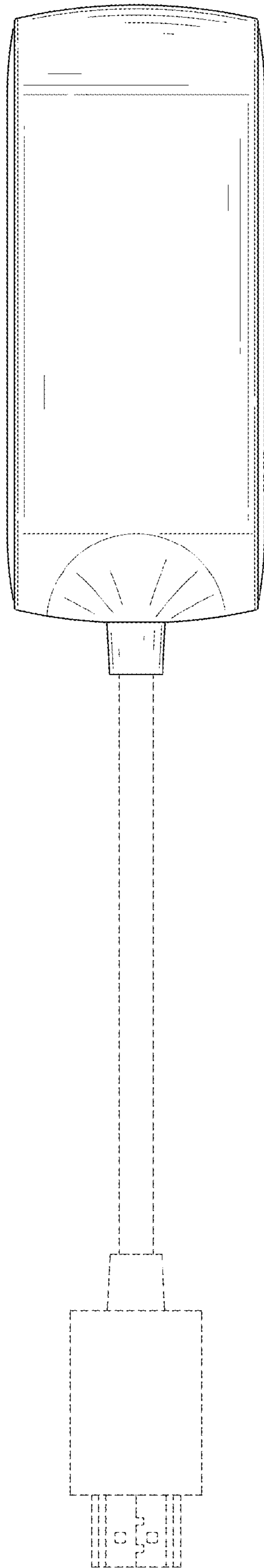


FIG. 3

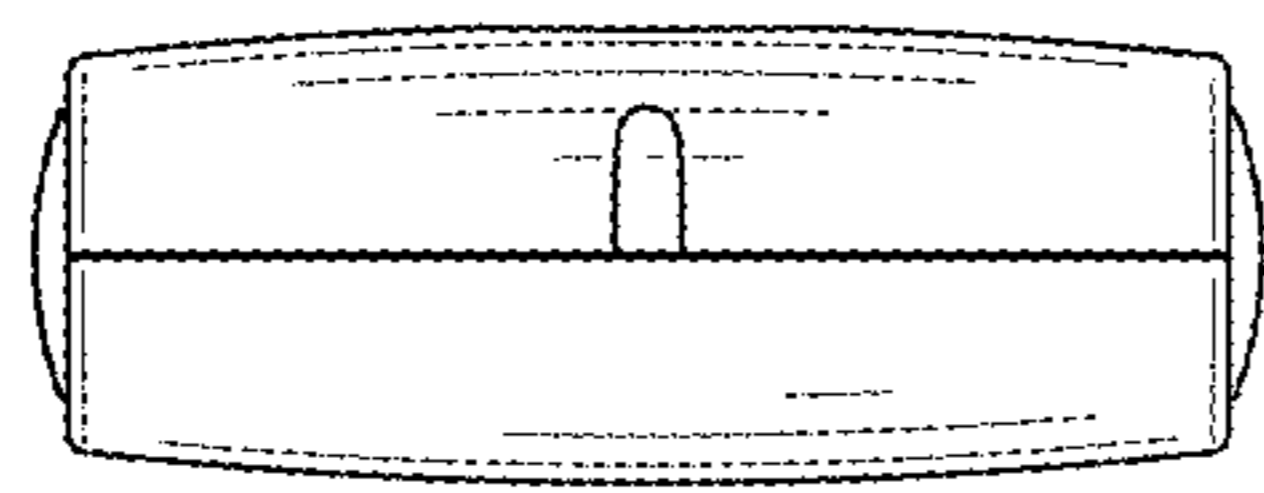


FIG. 4

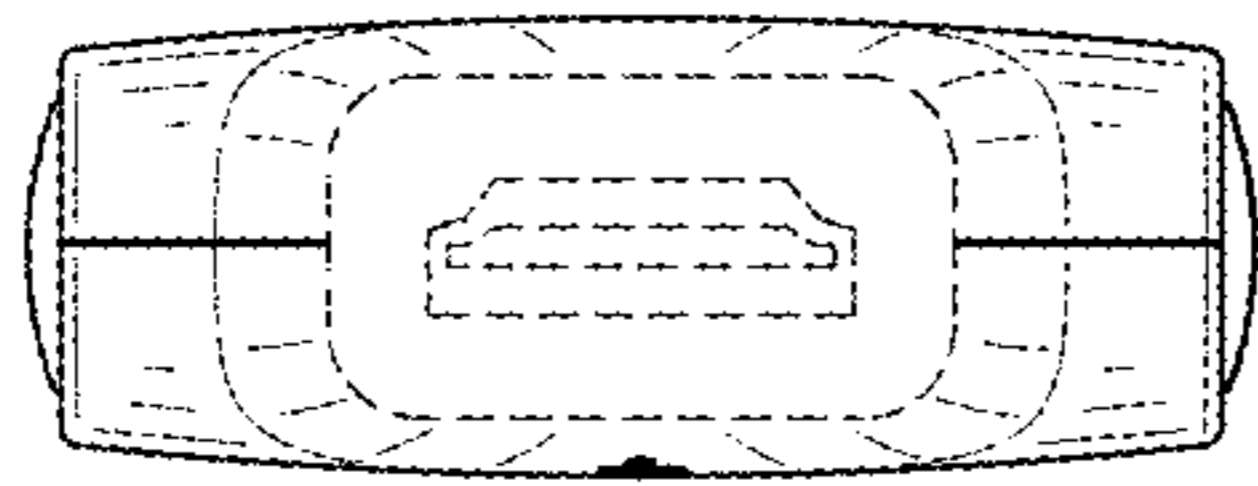


FIG. 5

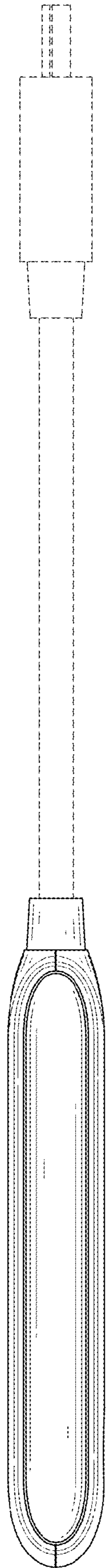


FIG. 6

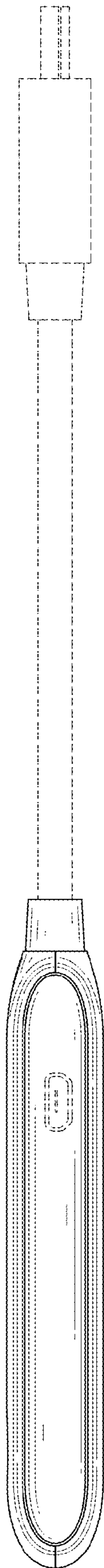


FIG. 7

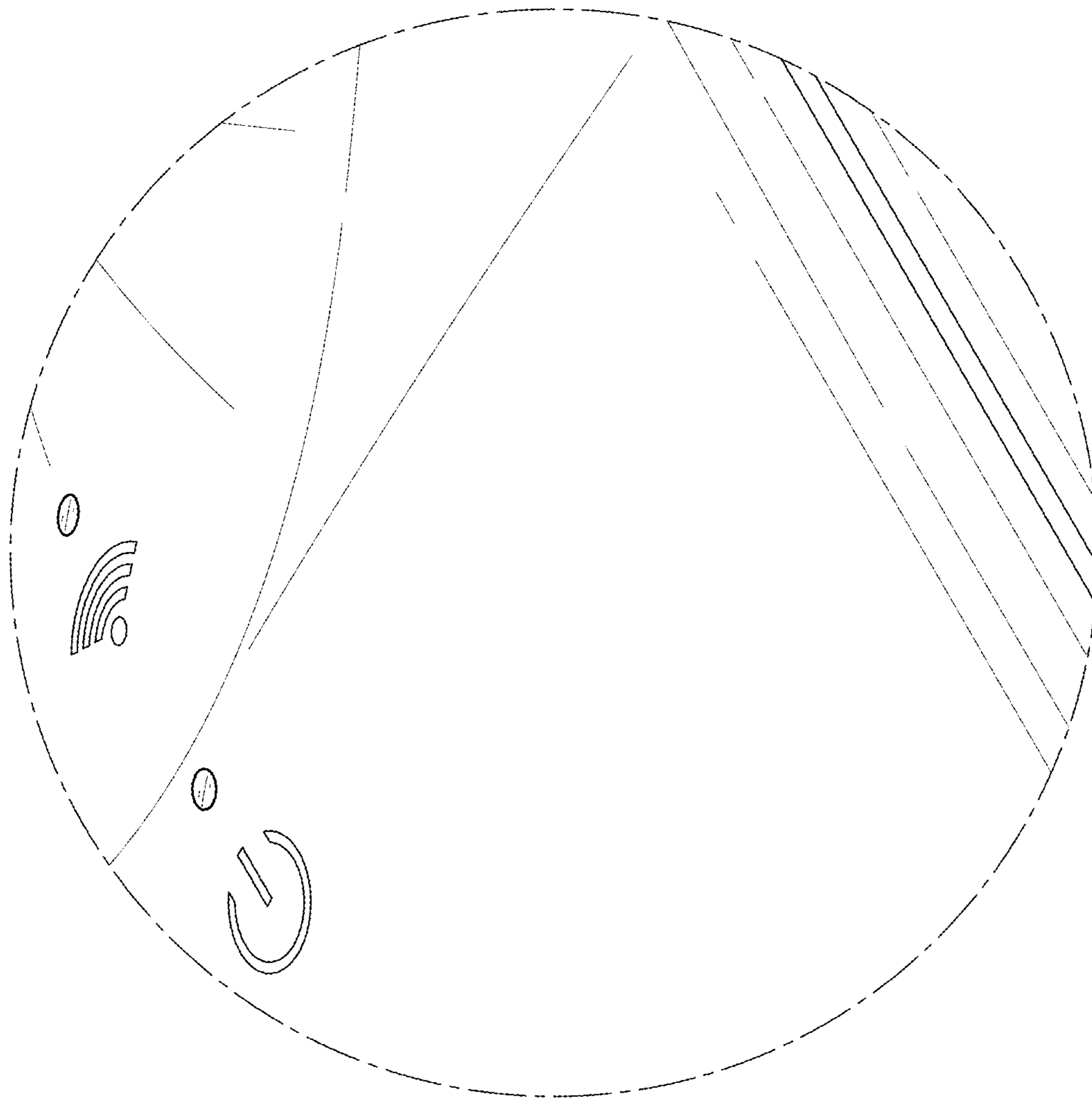


FIG. 8