



US00D890150S

(12) **United States Design Patent** (10) **Patent No.:** **US D890,150 S**
Papic et al. (45) **Date of Patent:** **** Jul. 14, 2020**

(54) **SLATTED RAIL EQUIPMENT MOUNT**
(71) Applicant: **Evans Consoles Corporation**, Calgary, Alberta (CA)
(72) Inventors: **Matko Papic**, Calgary (CA); **Carlos Renderos**, Calgary (CA); **Richard Game**, Calgary (CA); **Randy Simington**, Calgary (CA)
(73) Assignee: **Evans Consoles Corporation**, Calgary, Alberta (CA)
(**) Term: **15 Years**
(21) Appl. No.: **29/616,103**
(22) Filed: **Sep. 1, 2017**
(51) **LOC (12) Cl.** **14-03**
(52) **U.S. Cl.**
USPC **D14/238**
(58) **Field of Classification Search**
USPC D8/321, 359, 374, 375, 376, 377, 400, D8/61, 64, 70, 363, 381, 354, 349, 403, D8/57, 69, 310; D3/276; D6/587; D7/318, 393, 600, 622, 705, 624.1, 502, D7/553.1, 553.2, 553.4, 553.5, 553.6, D7/554.2, 554.3; D9/531; D14/238, 373, D14/448, 451, 452; D25/38.1, 41.1, 43, D25/48.2, 48.3
CPC Y10T 16/10; Y10T 16/104; Y10T 16/124; Y10T 16/1263; Y10T 16/127; Y10T 16/131; Y10T 16/14; Y10T 16/35; Y10T 16/3543; Y10T 16/37; Y10T 16/376; Y10T 16/379; Y10T 16/387; Y10T 24/44573; Y10T 29/53543; Y10T 137/6903; Y10T 16/372; Y10T 16/375; Y10T 16/378; Y10T 16/3797; A47H 1/02
See application file for complete search history.

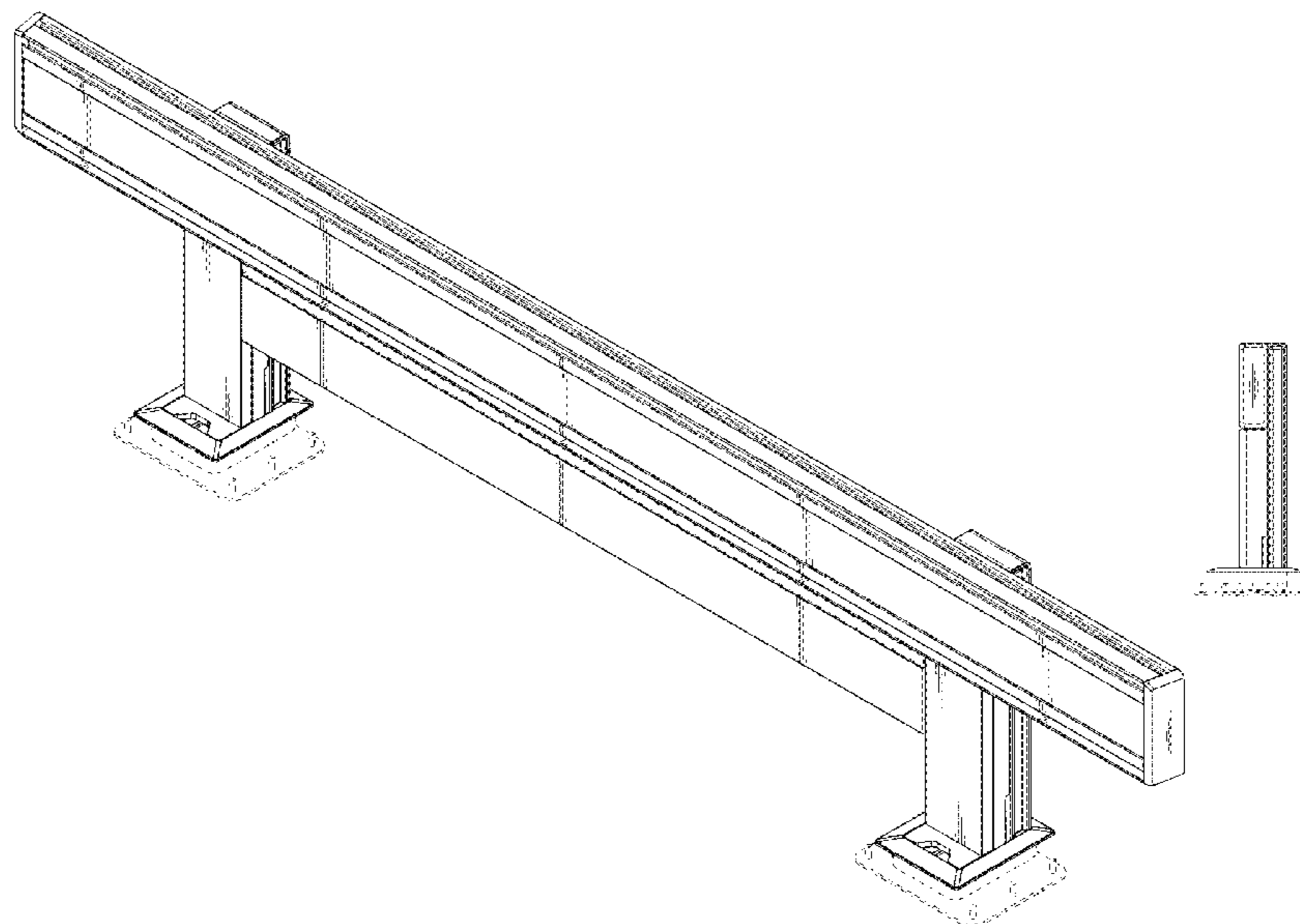
(56) **References Cited**
U.S. PATENT DOCUMENTS
D214,433 S * 6/1969 Blum et al. D25/43
D517,085 S * 3/2006 Deuschle D14/451
D663,307 S * 7/2012 Sapper D14/452
8,418,861 B1 * 4/2013 Weaver A47B 96/06
211/208
8,714,372 B2 * 5/2014 Yogev A47F 5/0018
211/182
D712,068 S * 8/2014 Wiggins D25/38.1
8,891,249 B2 * 11/2014 Stanek F16M 11/10
248/276.1
9,109,742 B2 * 8/2015 Smith F16M 11/10
9,717,327 B2 * 8/2017 Papic A47B 21/02
9,782,004 B2 * 10/2017 Yu F16M 13/02
D837,225 S * 1/2019 Russell D14/452
10,264,879 B2 * 4/2019 Game A47B 87/002
(Continued)

Primary Examiner — Shannon W Morgan
Assistant Examiner — Kristin E Reed
(74) *Attorney, Agent, or Firm* — Notaro, Michalos & Zaccaria P.C.

(57) **CLAIM**
The ornamental design for a slatted rail equipment mount, as shown and described.

DESCRIPTION
FIG. 1 is a top perspective view of a slatted rail equipment mount;
FIG. 2 is a front elevational view thereof;
FIG. 3 is a rear elevational view thereof;
FIG. 4 is a left side elevational view thereof;
FIG. 5 is a right side elevational view thereof; and,
FIG. 6 is a top plan view thereof.
The broken line showing of a long, horizontal rectangle in FIGS. 1 and 2 depict portions of the slatted rail equipment mount. The remaining broken lines illustrate an environment of use. The broken lines form no part of the claimed design.

1 Claim, 3 Drawing Sheets



(56)

References Cited

U.S. PATENT DOCUMENTS

2015/0096472 A1* 4/2015 Papic A47B 9/20
108/28
2018/0055229 A1* 3/2018 Game A47B 21/02
2018/0310705 A1* 11/2018 Game A47B 21/0314

* cited by examiner

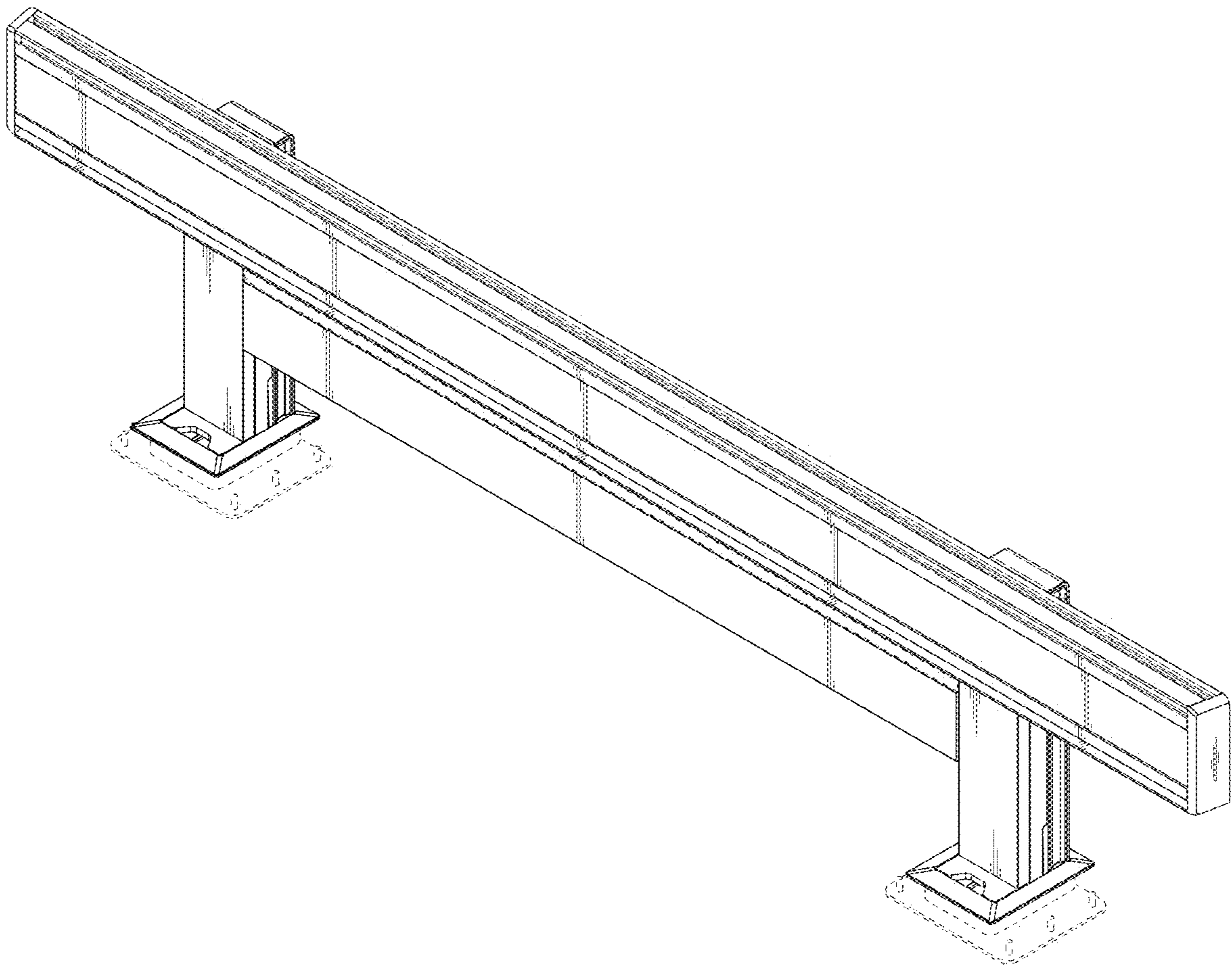


FIG. 1

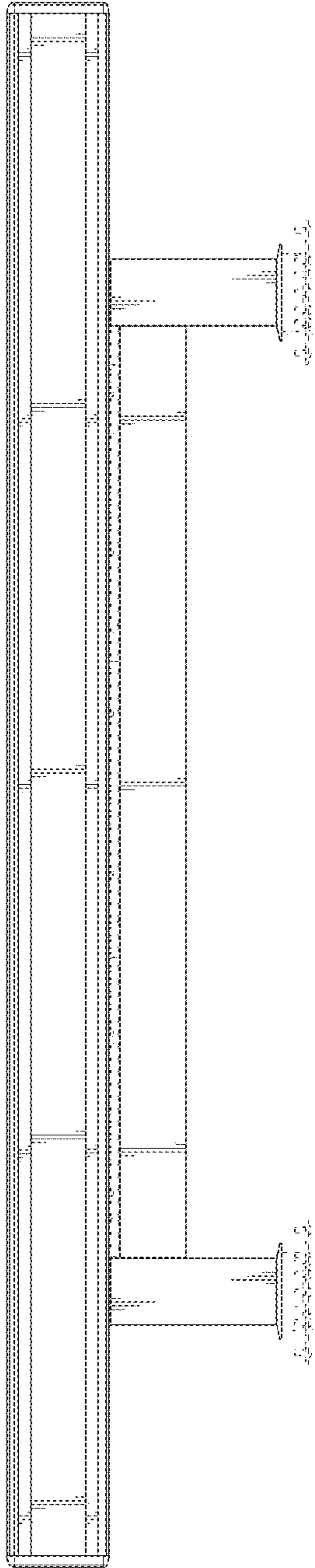


FIG. 2

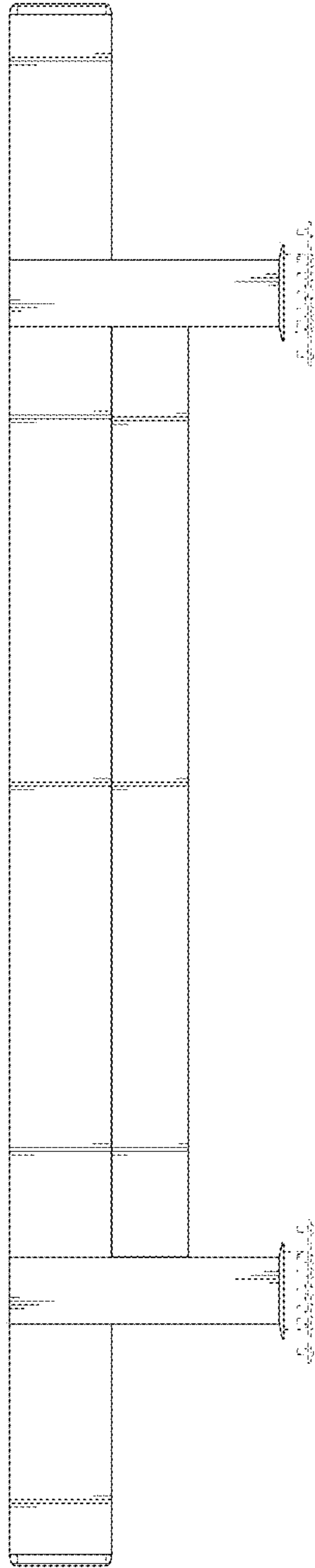


FIG. 3

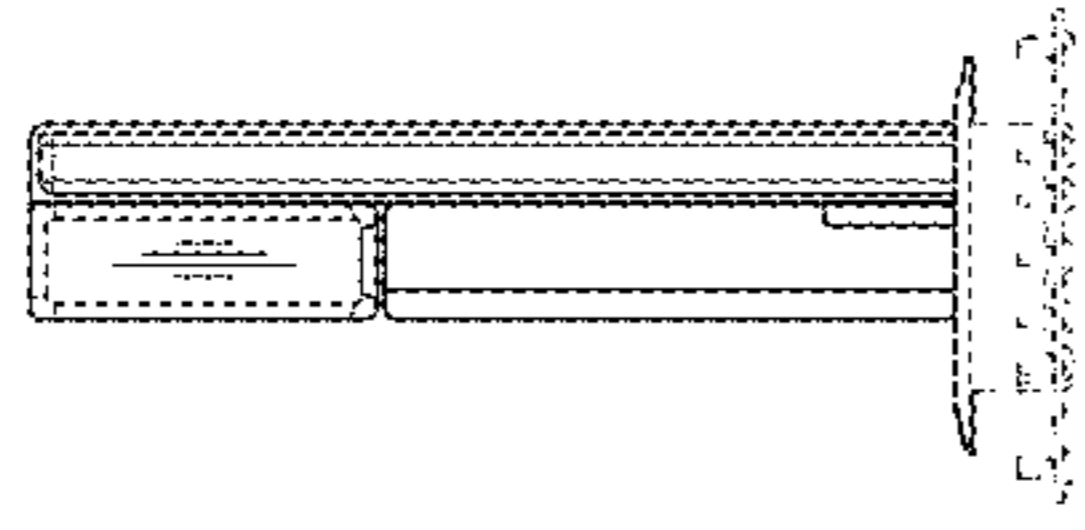


FIG. 4

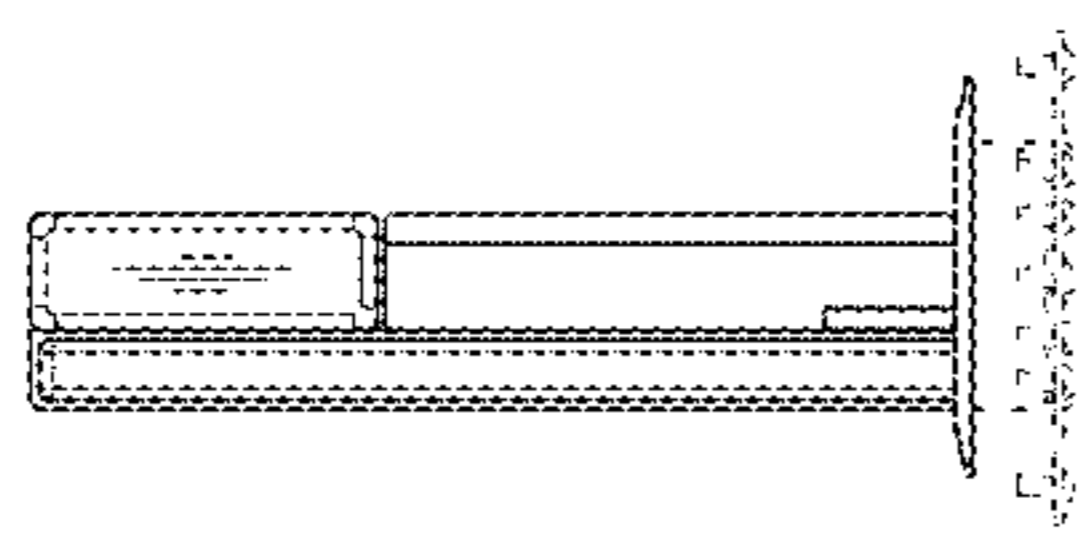


FIG. 5

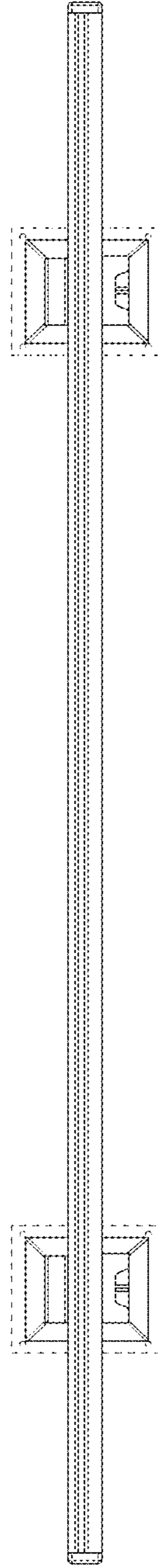


FIG. 6