



US00D890147S

(12) **United States Design Patent**
Zhao

(10) **Patent No.:** **US D890,147 S**
(45) **Date of Patent:** **** Jul. 14, 2020**

- (54) **INDOOR AND OUTDOOR ANTENNA**
- (71) Applicant: **Guodong Zhao**, Shenzhen (CN)
- (72) Inventor: **Guodong Zhao**, Shenzhen (CN)
- (**) Term: **15 Years**
- (21) Appl. No.: **29/728,339**
- (22) Filed: **Mar. 18, 2020**
- (51) **LOC (12) Cl.** **14-03**
- (52) **U.S. Cl.**
USPC **D14/230**
- (58) **Field of Classification Search**
USPC D14/138, 230-238, 299, 358
CPC H01Q 7/00; H01Q 13/10; H01Q 9/285;
H01Q 19/30; H01Q 19/12; H01Q 1/38;
H01Q 1/36; H04B 1/0475; H04B 1/034;
H05K 11/00
See application file for complete search history.

D881,856 S * 4/2020 Zhao D14/230
 2013/0271671 A1* 10/2013 Sogabe G06F 1/16
 348/731
 2013/0306399 A1* 11/2013 Swan H04R 1/026
 181/199

* cited by examiner

Primary Examiner — John Windmuller
(74) *Attorney, Agent, or Firm* — ZANIP

(57) **CLAIM**

The ornamental design for an indoor and outdoor antenna, as shown and described.

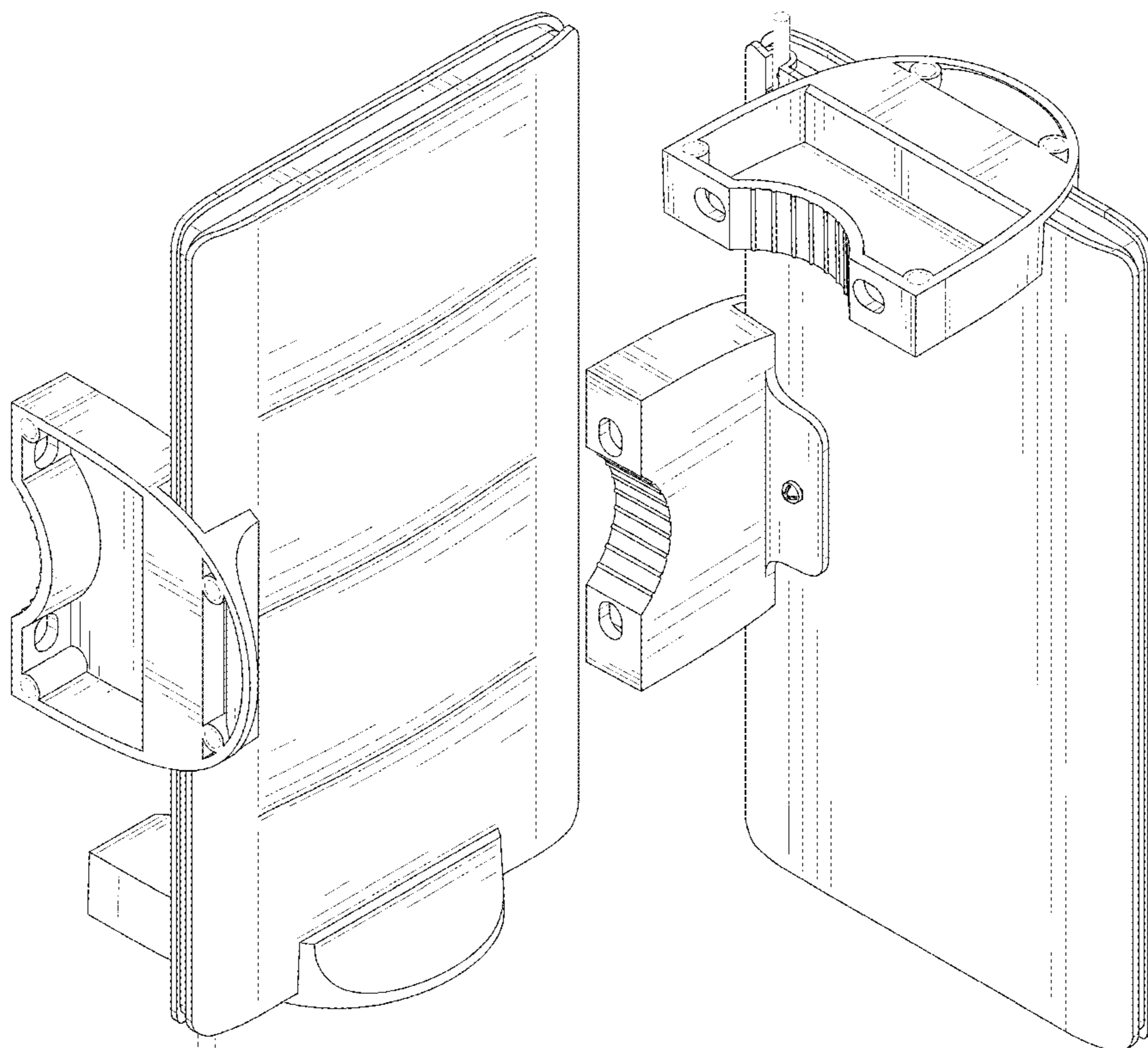
DESCRIPTION

FIG. 1 is a front and top perspective view of an indoor and outdoor antenna, showing my new design;
 FIG. 2 is a rear and bottom perspective view thereof;
 FIG. 3 is a front elevational view thereof;
 FIG. 4 is a rear elevational view thereof;
 FIG. 5 is a left side elevational view thereof;
 FIG. 6 is a right side elevational view thereof;
 FIG. 7 is a top plan view thereof; and,
 FIG. 8 is a bottom plan view thereof.
 The broken lines in the figures illustrate portions of the indoor and outdoor antenna that form no part of the claimed design.

(56) **References Cited**
U.S. PATENT DOCUMENTS

D535,982 S	1/2007	Inoue	
D598,436 S *	8/2009	Tseng	D14/240
D611,061 S *	3/2010	Nam	D14/510
D623,173 S *	9/2010	Ho	D14/230
D667,007 S *	9/2012	Huang	D14/240
D673,534 S *	1/2013	Bailey	D14/230
D724,050 S *	3/2015	Sogabe	D14/188
D814,462 S *	4/2018	Jang	D14/358
D816,069 S *	4/2018	Burke	D14/230

1 Claim, 8 Drawing Sheets



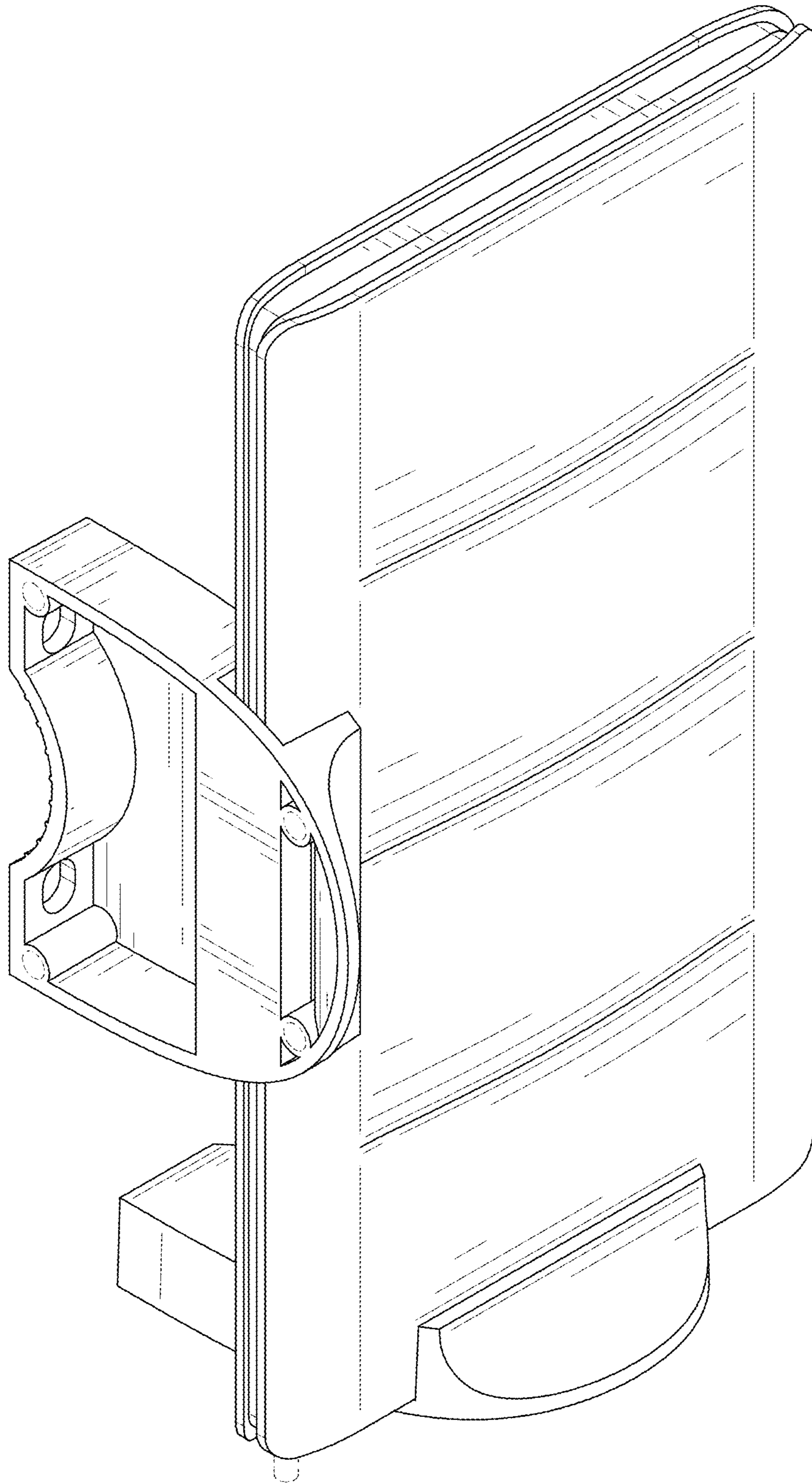


FIG. 1

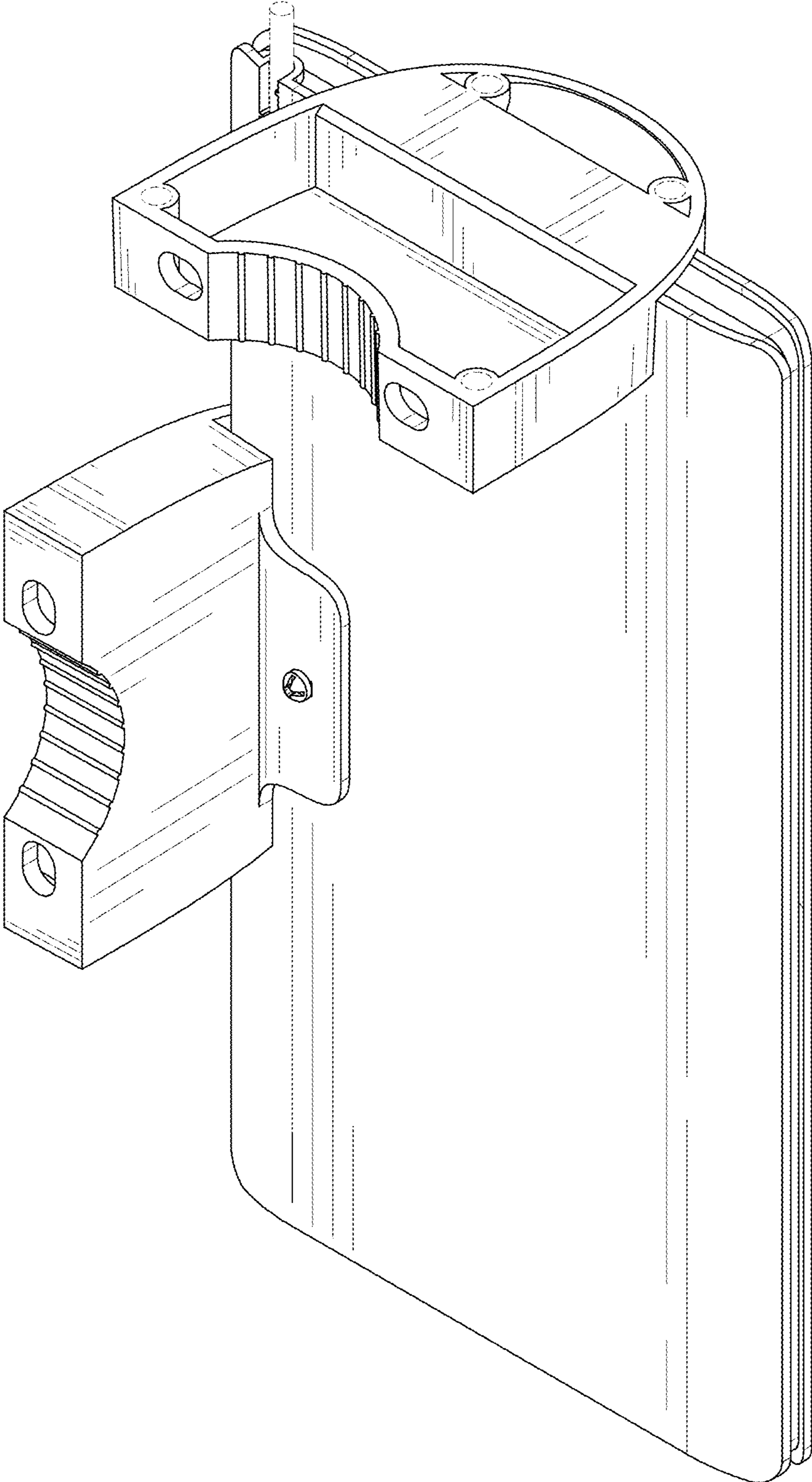


FIG. 2

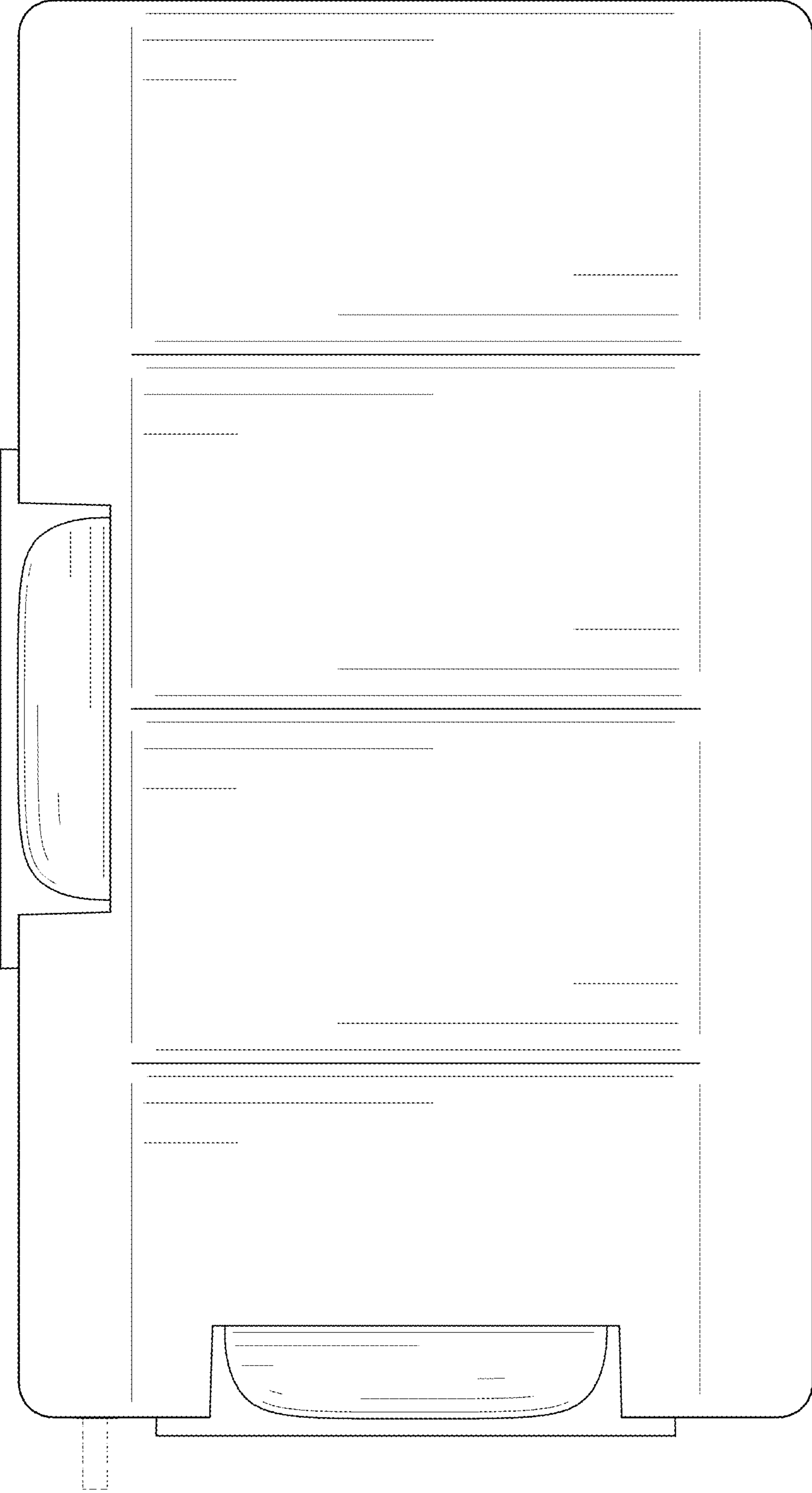


FIG. 3

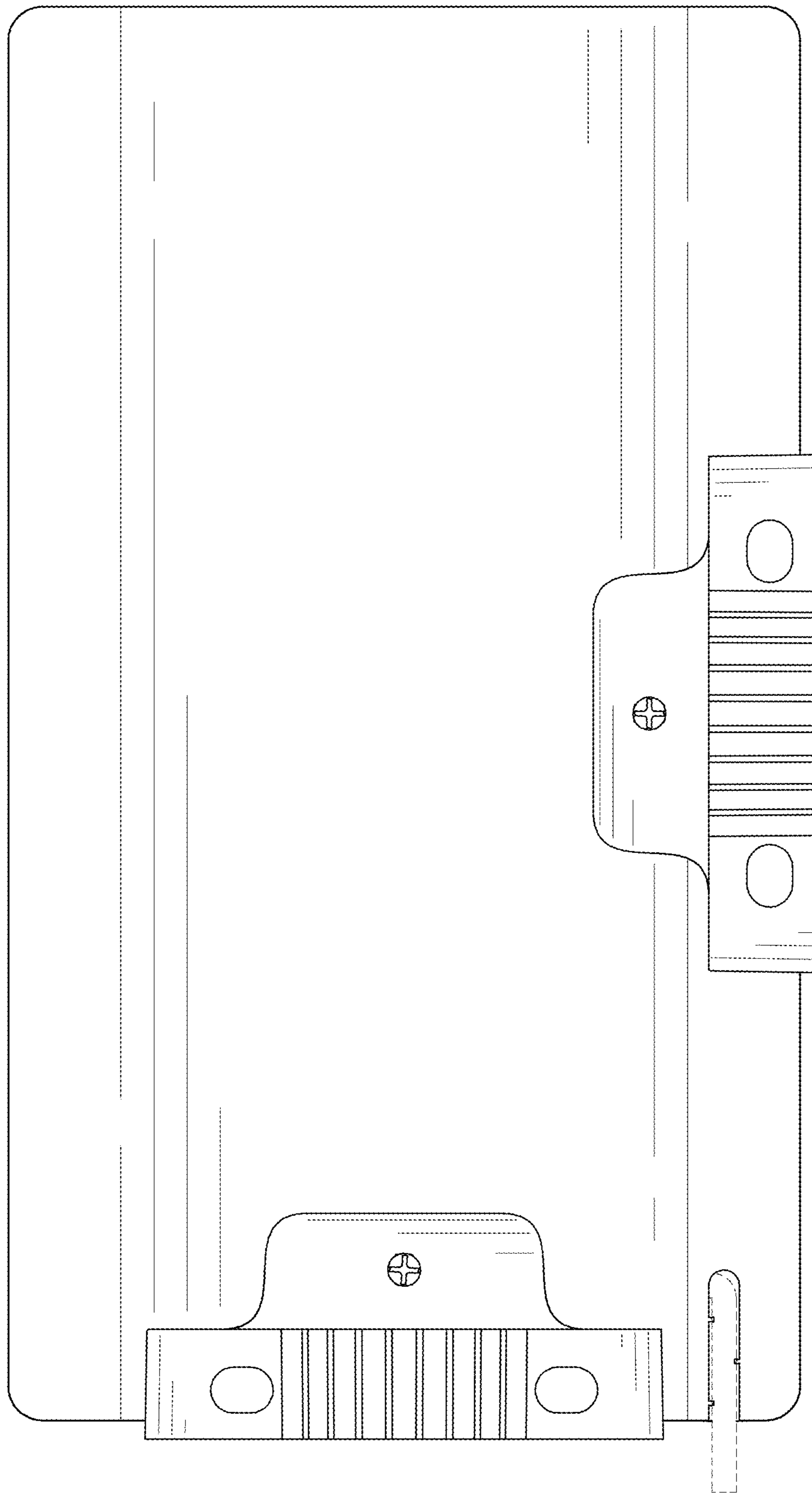


FIG. 4

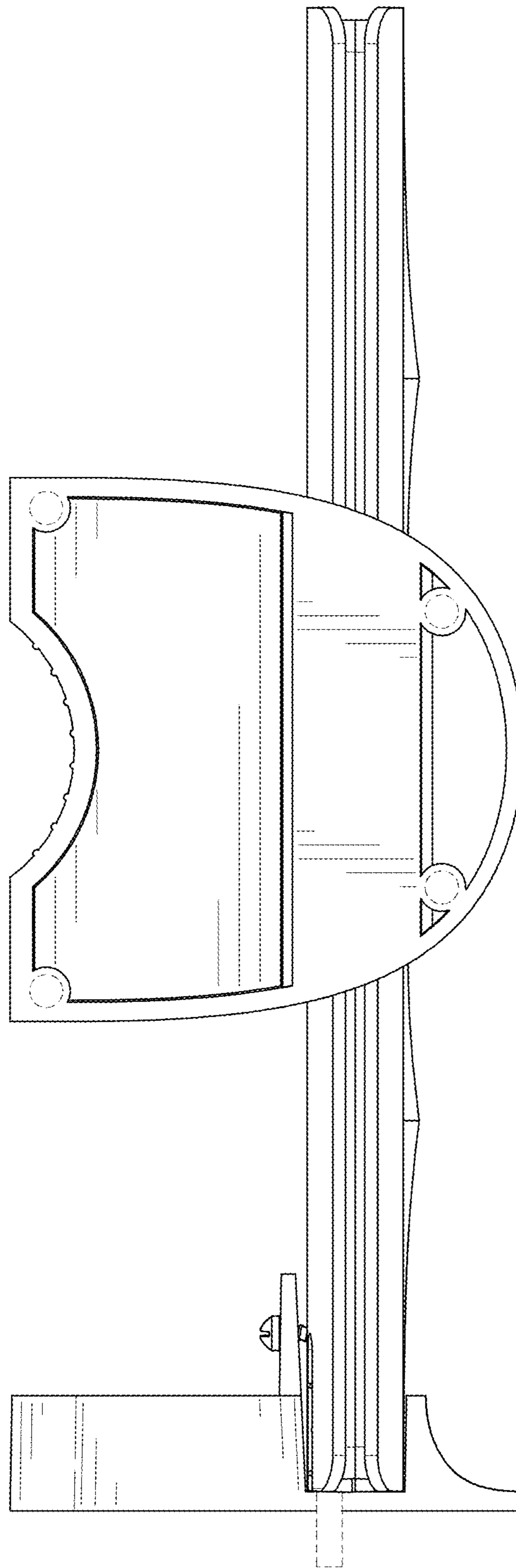


FIG. 5

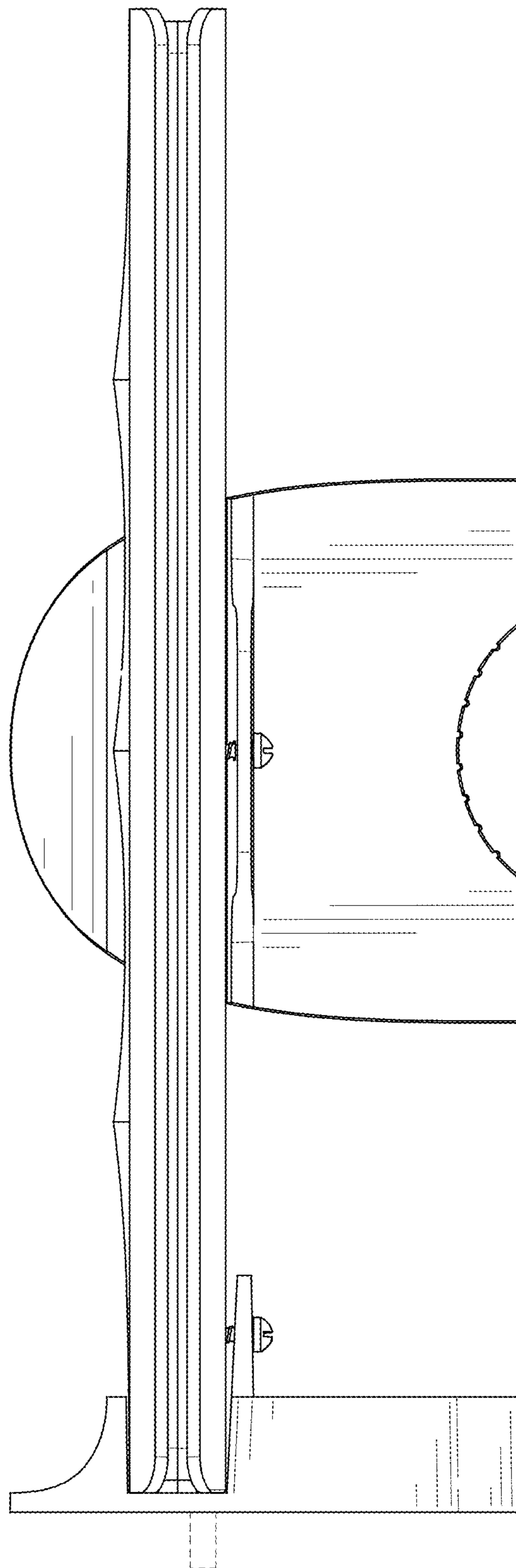


FIG. 6

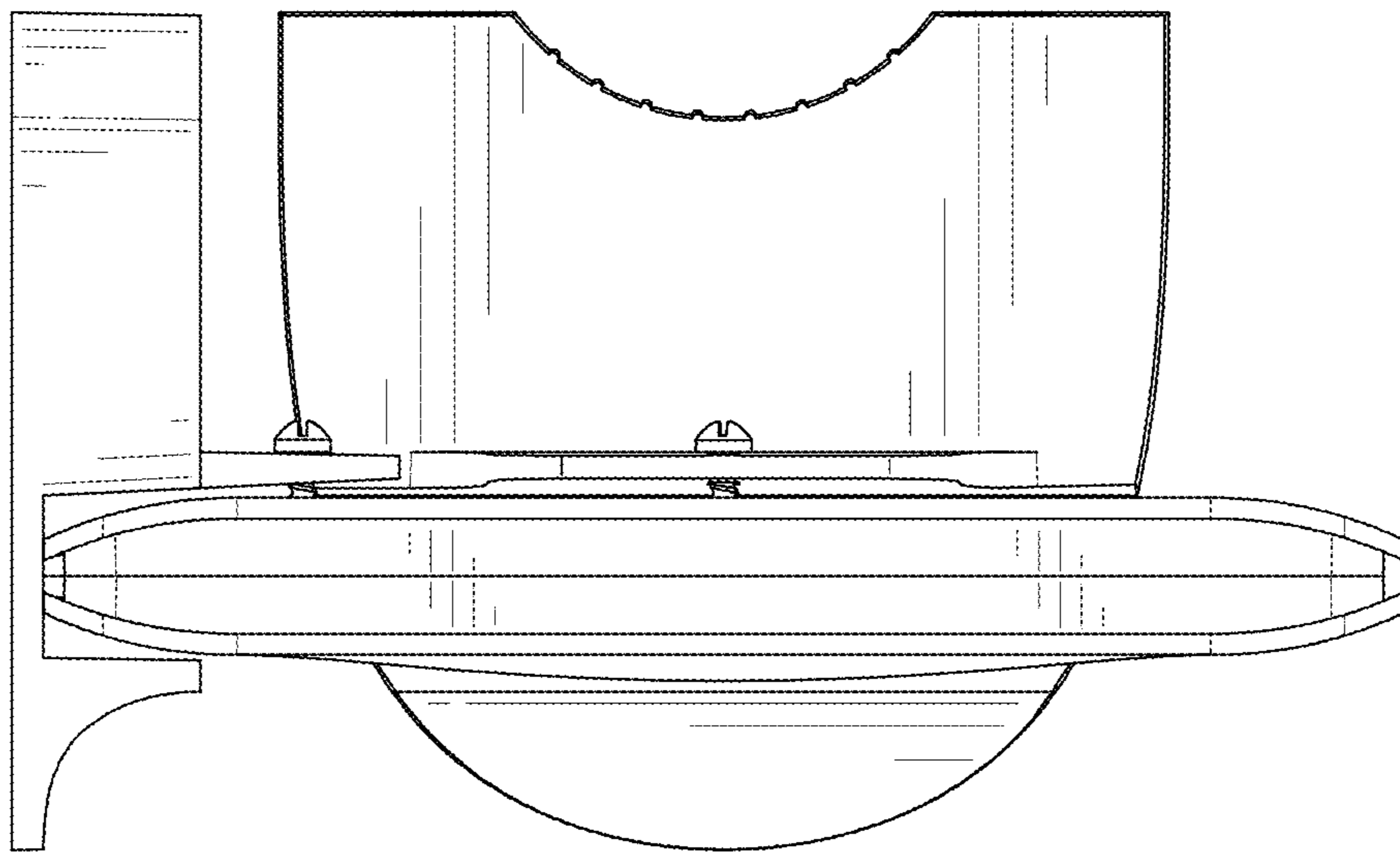


FIG. 7

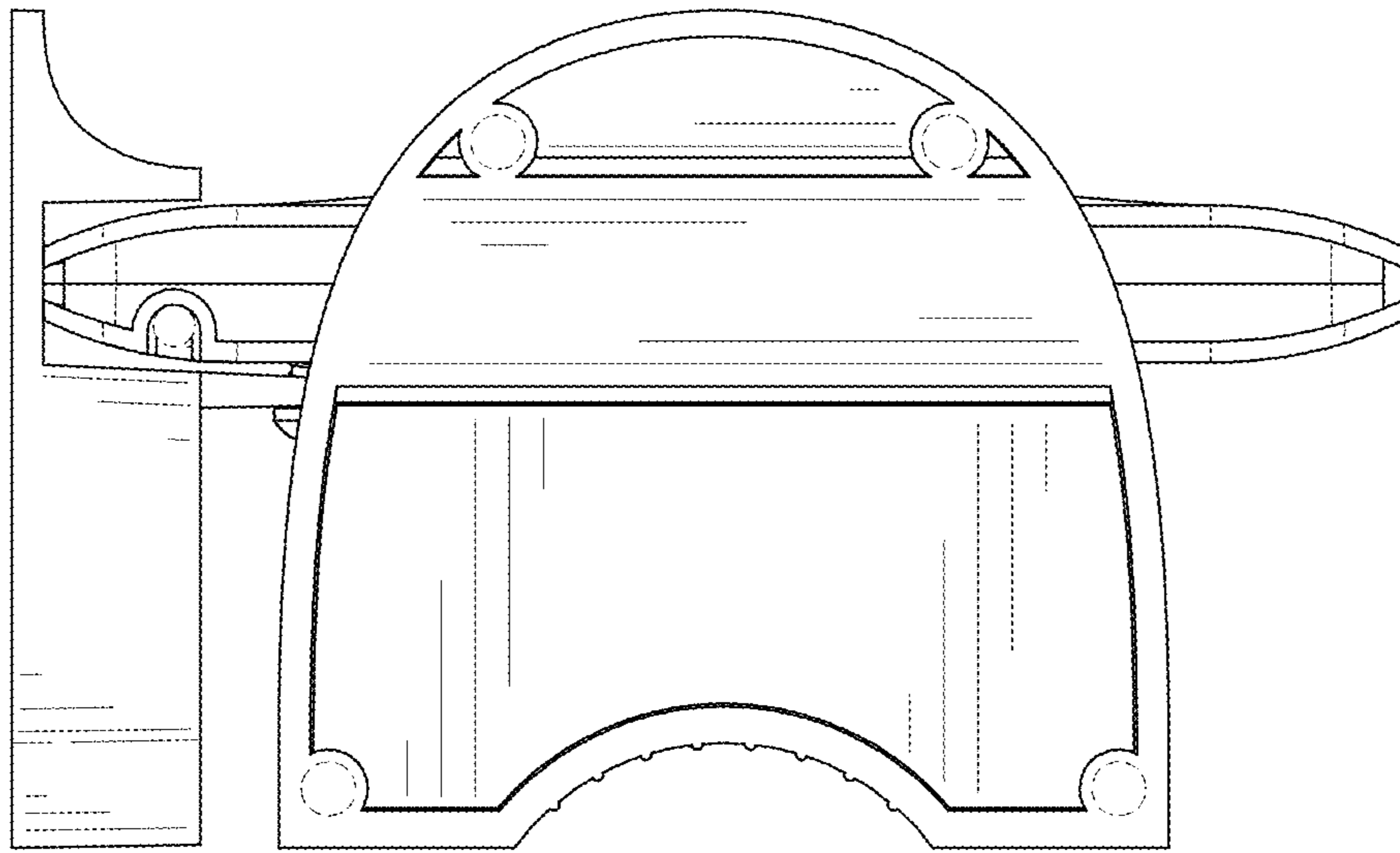


FIG. 8