



US00D890145S

(12) **United States Design Patent**
Ashraf et al.

(10) **Patent No.:** **US D890,145 S**
(45) **Date of Patent:** **** Jul. 14, 2020**

- (54) **ULTRA-WIDEBAND UNIPOLE ANTENNA**
- (71) Applicant: **KING SAUD UNIVERSITY**, Riyadh (SA)
- (72) Inventors: **Muhammad Ahmad Ashraf**, Riyadh (SA); **Waleed Tariq Sethi**, Riyadh (SA); **Khaled Issa**, Riyadh (SA); **Habib Fathallah**, Soukra (TN); **Saleh Alshebeili**, Riyadh (SA)
- (73) Assignee: **King Saud University**, Riyadh (SA)

(**) Term: **15 Years**

(21) Appl. No.: **29/678,565**

(22) Filed: **Jan. 29, 2019**

(51) **LOC (12) Cl.** **14-03**

(52) **U.S. Cl.**
USPC **D14/230**

(58) **Field of Classification Search**
USPC D14/138, 230-238, 299, 358; D12/42, D12/43
CPC H01Q 7/00; H01Q 13/10; H01Q 9/285; H01Q 19/30; H01Q 19/12; H01Q 1/38; H01Q 1/36; H04B 1/0475; H04B 1/034; H05K 11/00
See application file for complete search history.

(56) **References Cited**

U.S. PATENT DOCUMENTS

2,543,130	A *	2/1951	Robertson	H01Q 15/14	342/6
3,401,387	A	9/1968	Milligan et al.			
D275,673	S *	9/1984	Iino	D14/230	
D282,172	S *	1/1986	Mabuchi	D14/233	
D283,129	S *	3/1986	Fourcher	D14/230	
D361,767	S *	8/1995	Tinaphong	D14/230	
6,111,549	A *	8/2000	Feller	H01Q 9/28	343/700 MS

6,268,834	B1 *	7/2001	Josypenko	H01Q 13/04	343/727
6,486,849	B2 *	11/2002	Buckles	H01Q 9/40	343/773
7,286,095	B2	10/2007	Parsche et al.			
7,548,202	B1 *	6/2009	Jennings	F42C 13/04	342/418
D611,460	S *	3/2010	Chao	D14/230	
7,701,396	B2	4/2010	Cohen			
D623,633	S *	9/2010	Bliss	D14/233	
7,973,732	B2	7/2011	Cohen			
8,184,060	B2	5/2012	Du et al.			
D713,392	S	9/2014	Podduturi			
D775,612	S *	1/2017	Sano	D14/230	
D787,482	S *	5/2017	Jang	D14/230	

(Continued)

Primary Examiner — John Windmuller

(74) *Attorney, Agent, or Firm* — Richard C. Litman; Nath, Goldberg & Meyer

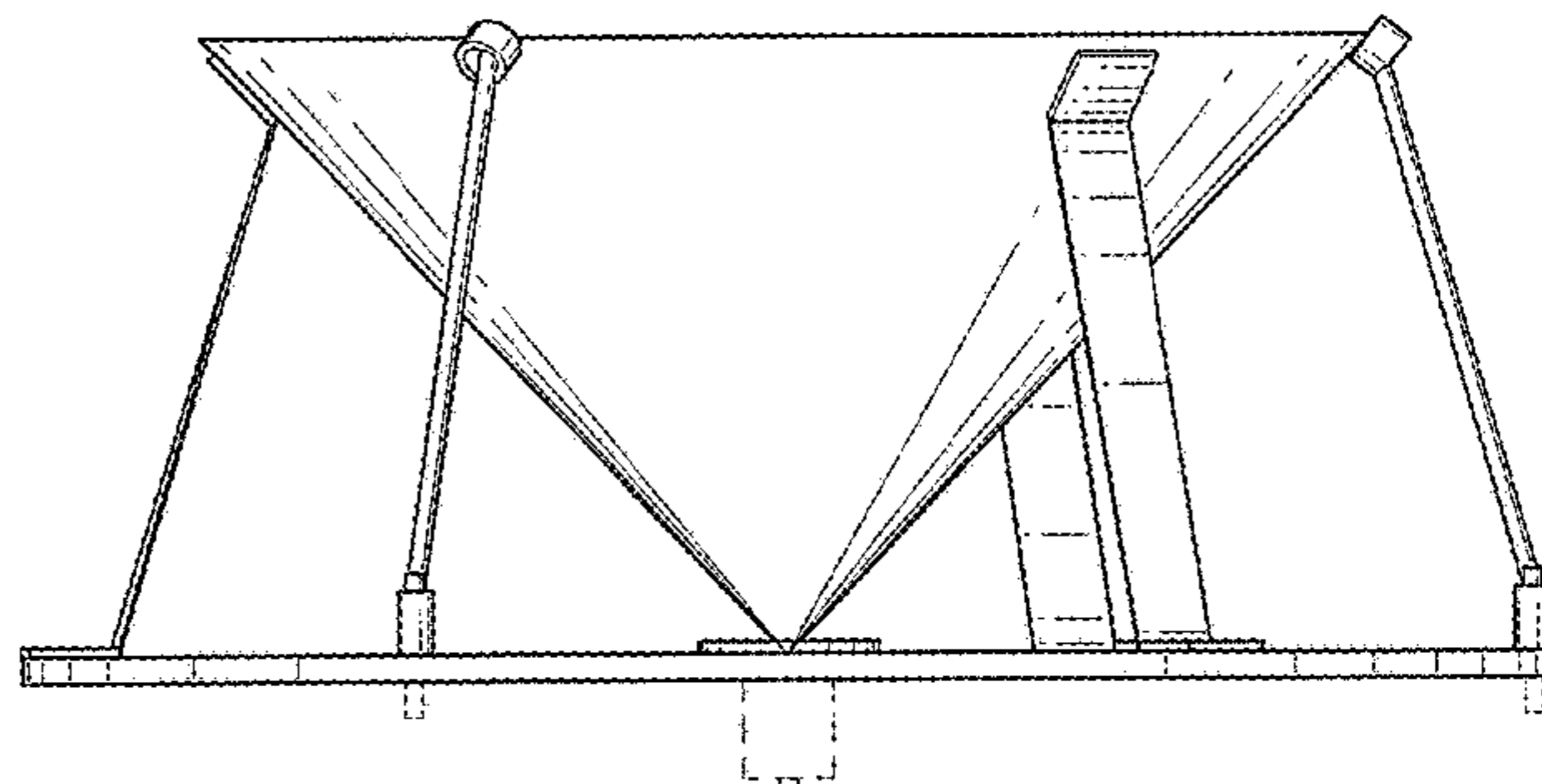
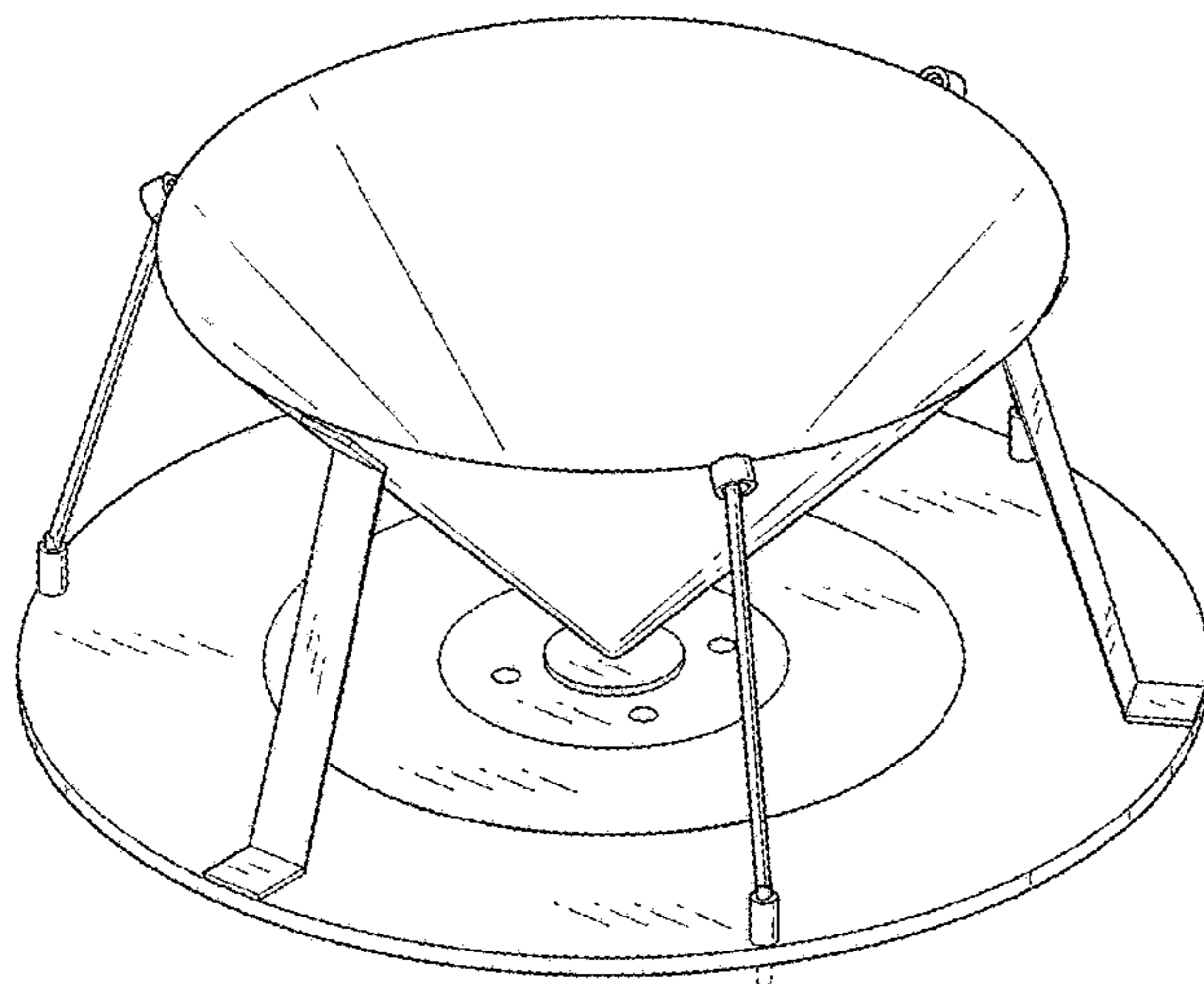
(57) **CLAIM**

The ornamental design for an ultra-wideband unipole antenna, as shown and described.

DESCRIPTION

FIG. 1 is a front perspective view of an ultra-wideband unipole antenna showing our new design; FIG. 2 is a rear elevational view thereof; FIG. 3 is a front elevational view thereof; FIG. 4 is a top view thereof; FIG. 5 is a bottom view thereof; FIG. 6 is a right view thereof; and, FIG. 7 is a left view thereof. The broken line showing of the coaxial cable in FIGS. 2, 3 and 5-7 is for illustrative purposes only and forms no part of the claimed design. Additionally, the broken line showing of the attachment screws of FIGS. 1-3 and 5-7 is for illustrative purposes only and forms no part of the claimed design.

1 Claim, 7 Drawing Sheets



(56)

References Cited

U.S. PATENT DOCUMENTS

D802,569	S *	11/2017	Zheng	D14/230
D829,696	S *	10/2018	Wallace	D14/233
10,411,357	B1 *	9/2019	Ashraf	H01Q 9/40
2005/0110649	A1 *	5/2005	Fredericks	B64D 47/06
				340/815.45
2010/0085264	A1 *	4/2010	Du	H01Q 9/40
				343/772
2010/0194646	A1	8/2010	Cohen	
2012/0068903	A1 *	3/2012	Thevenard	H01Q 3/247
				343/795
2014/0203984	A1 *	7/2014	Nilsson	H01Q 1/42
				343/774
2015/0015447	A1	1/2015	Yona et al.	
2015/0255874	A1 *	9/2015	Hung	H01Q 9/40
				343/786
2015/0280317	A1 *	10/2015	Morin	H01Q 9/28
				343/795
2017/0025750	A1 *	1/2017	Su	H01Q 1/36
2019/0051990	A1 *	2/2019	Luo	H01Q 1/38

* cited by examiner

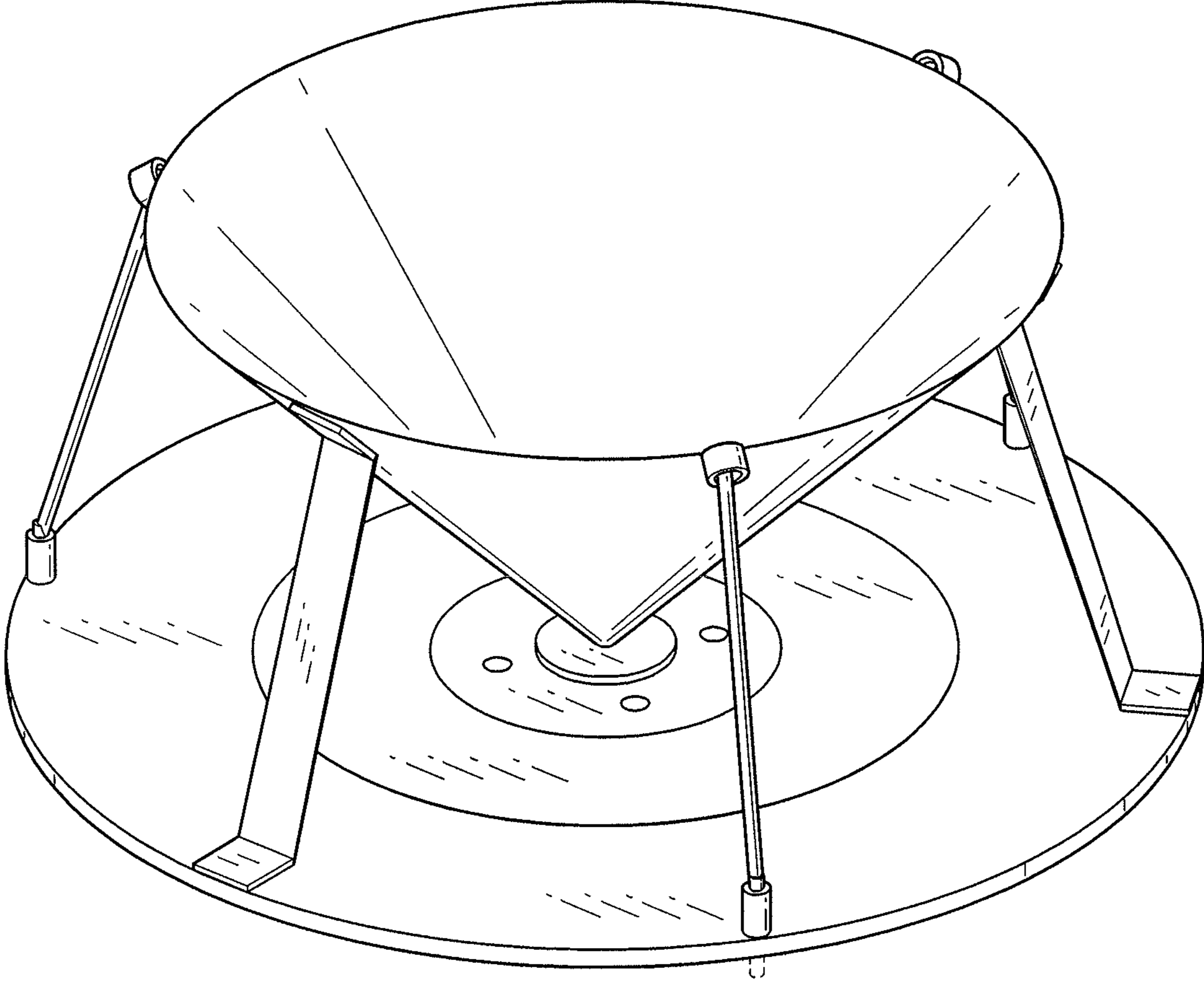


FIG. 1

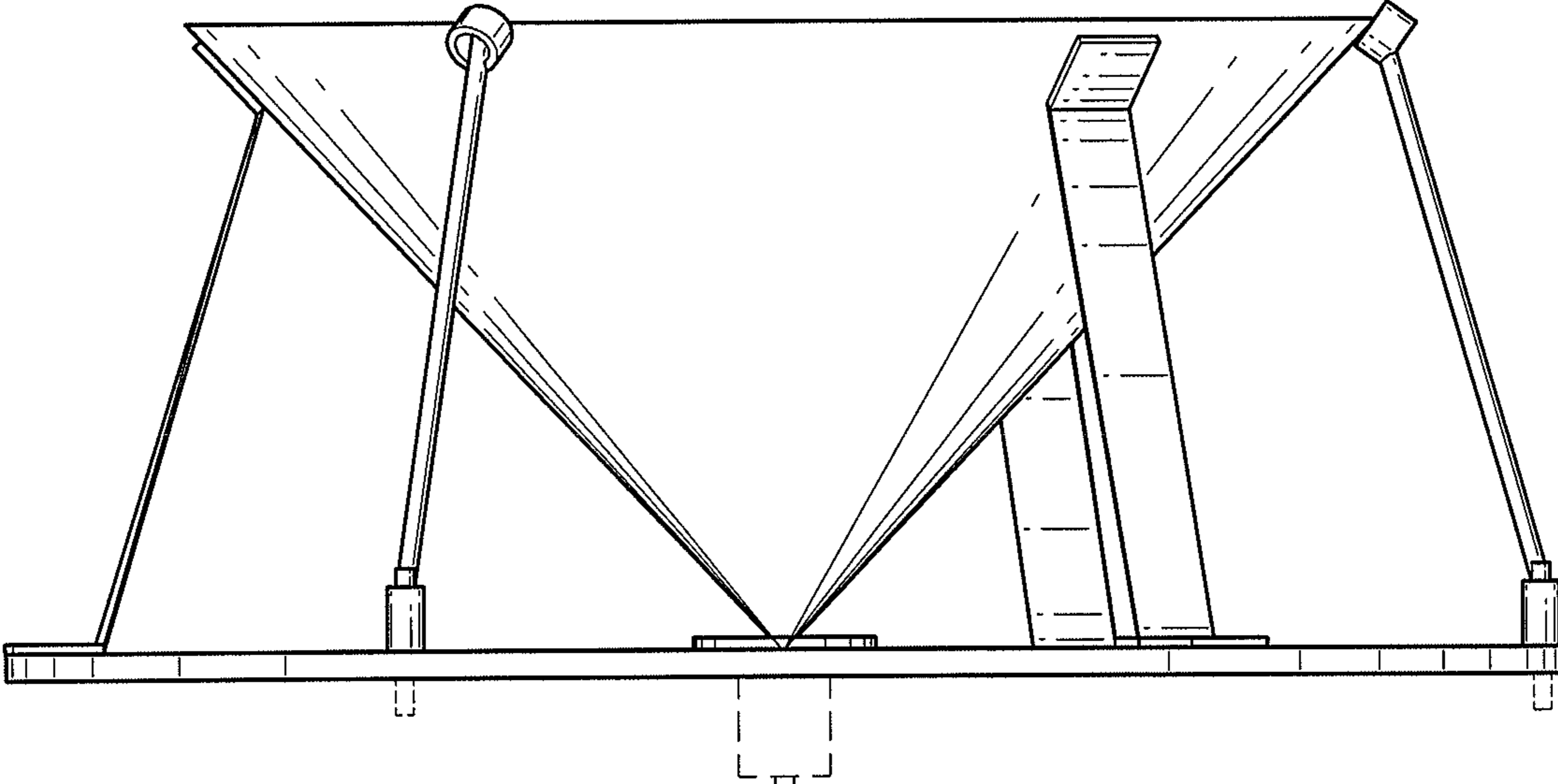


FIG. 2

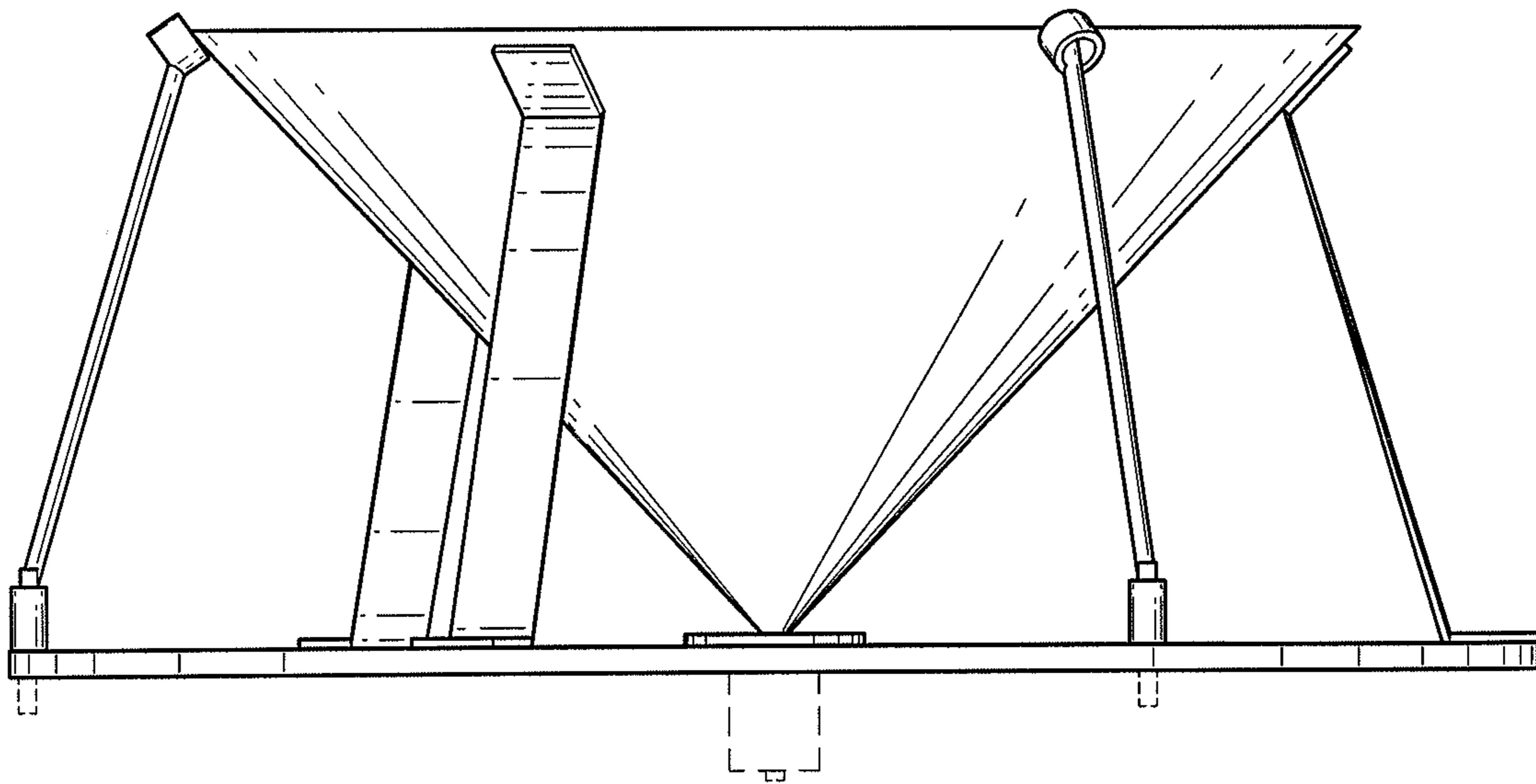


FIG. 3

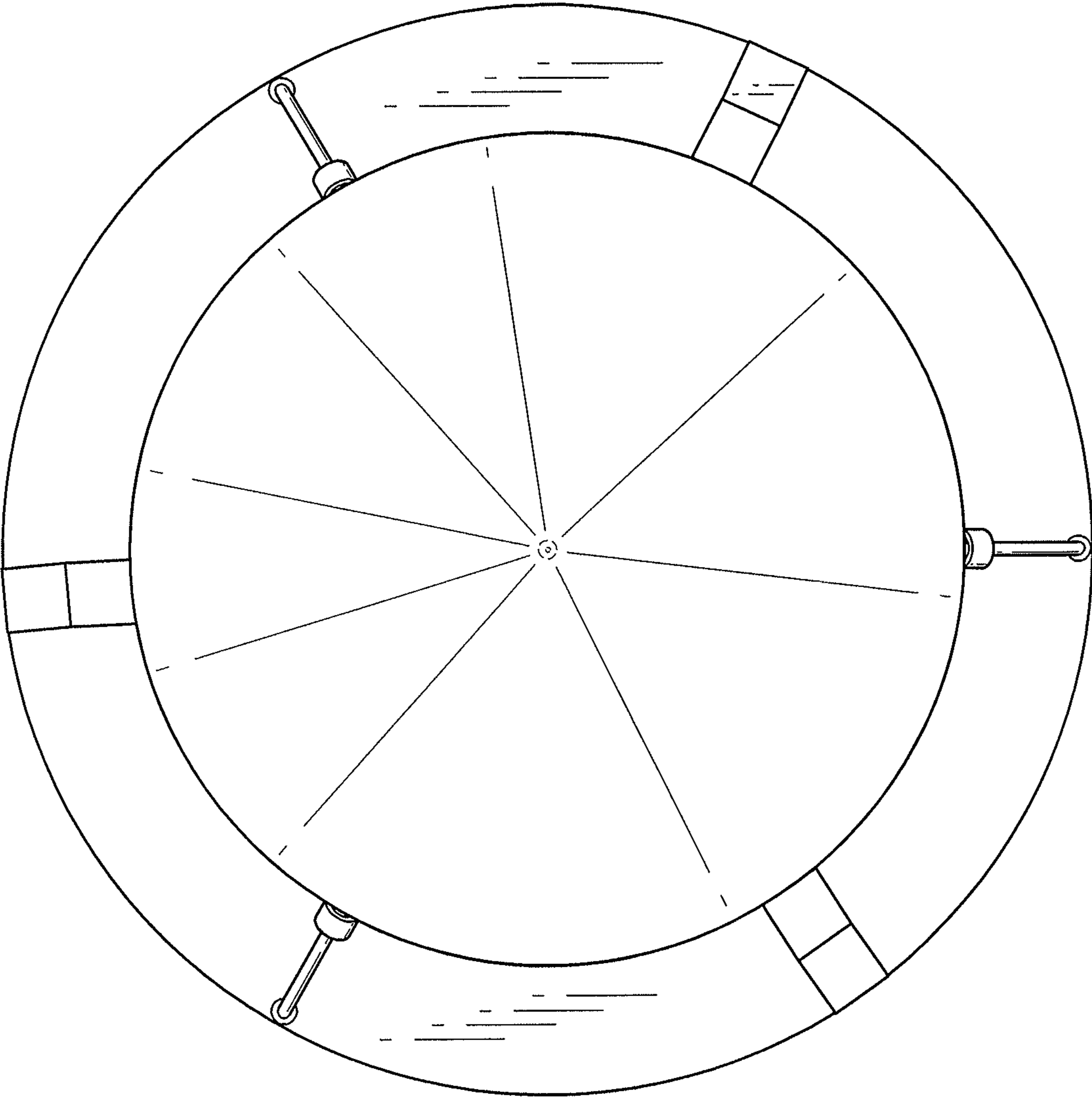


FIG. 4

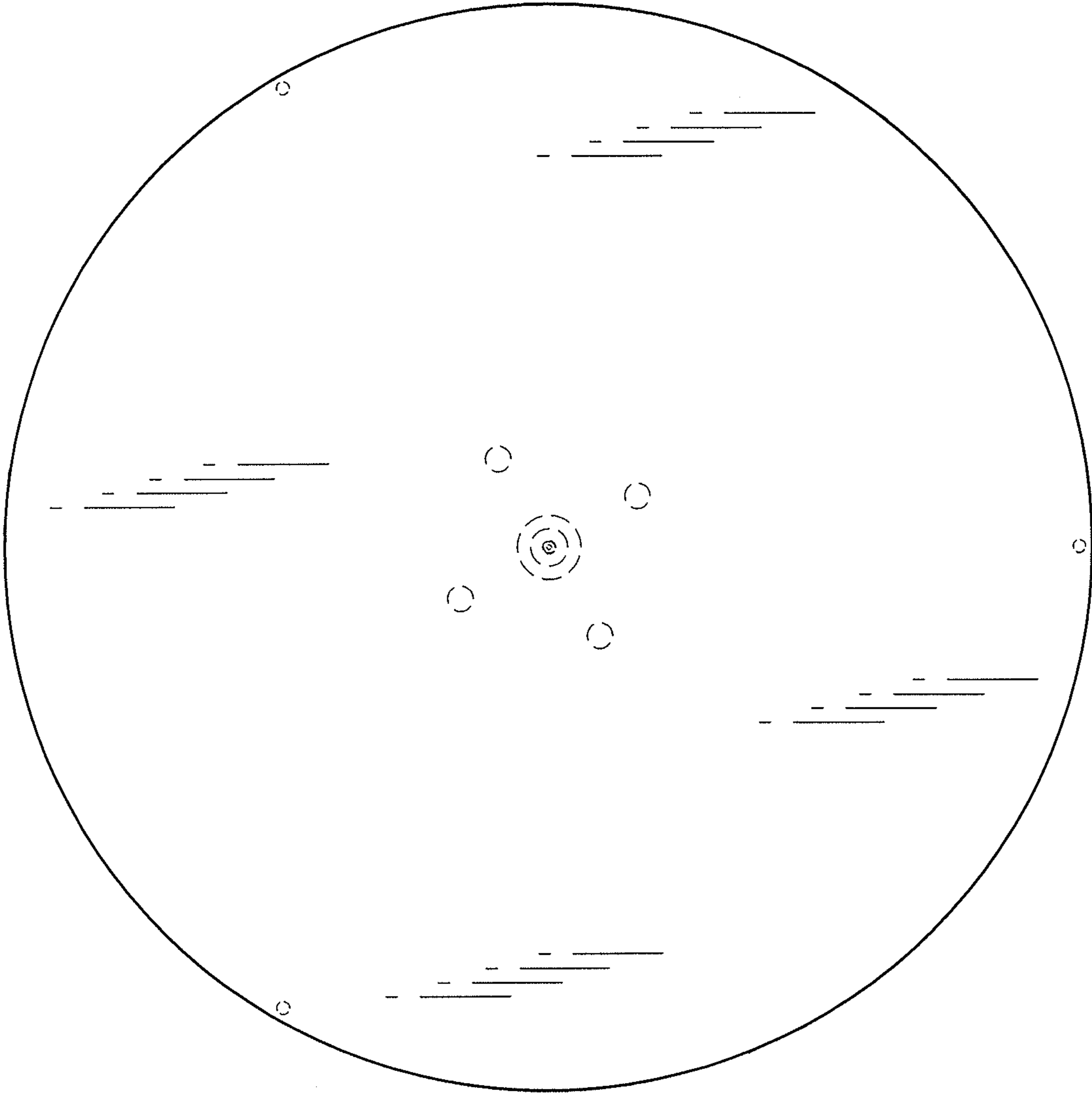


FIG. 5

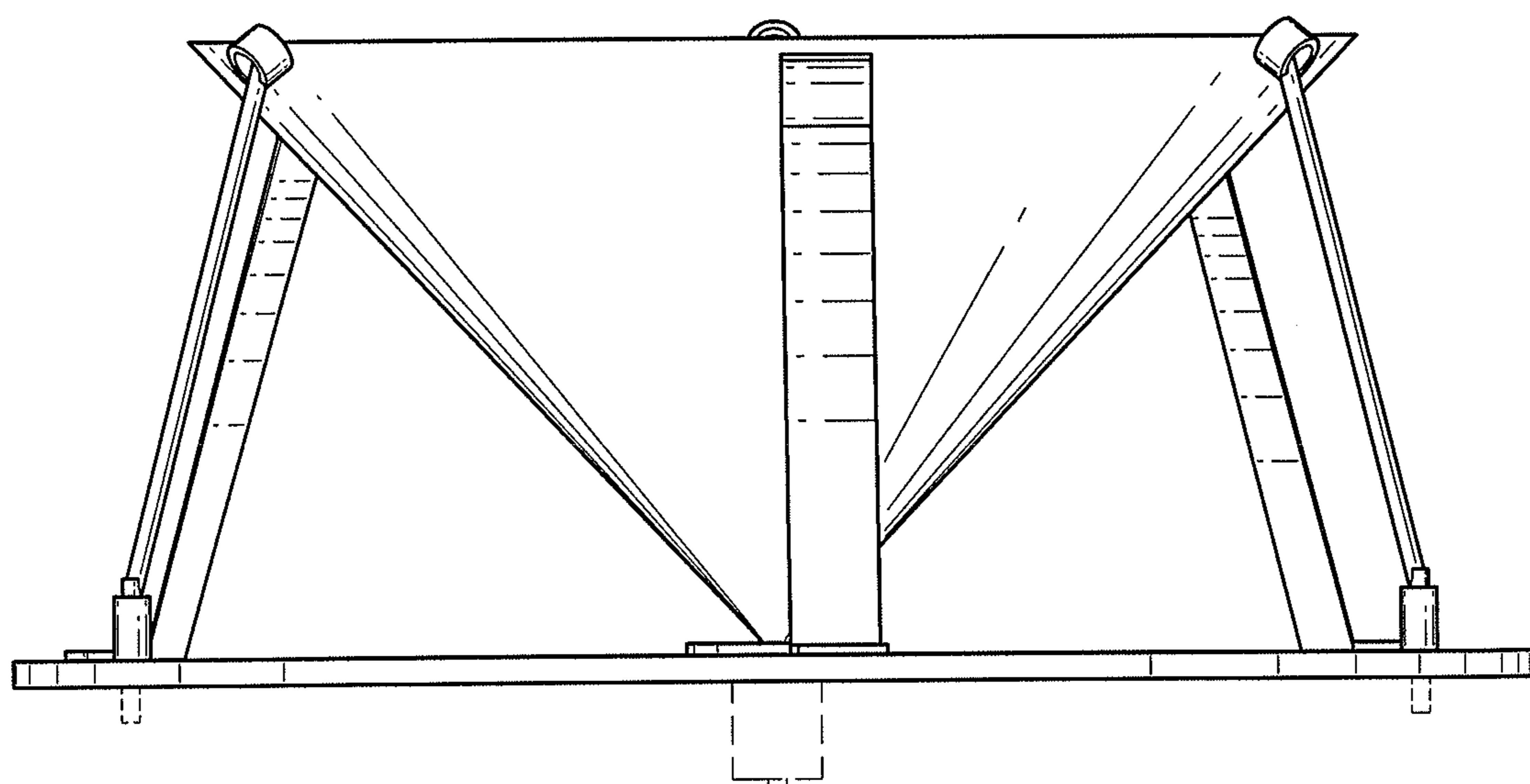


FIG. 6

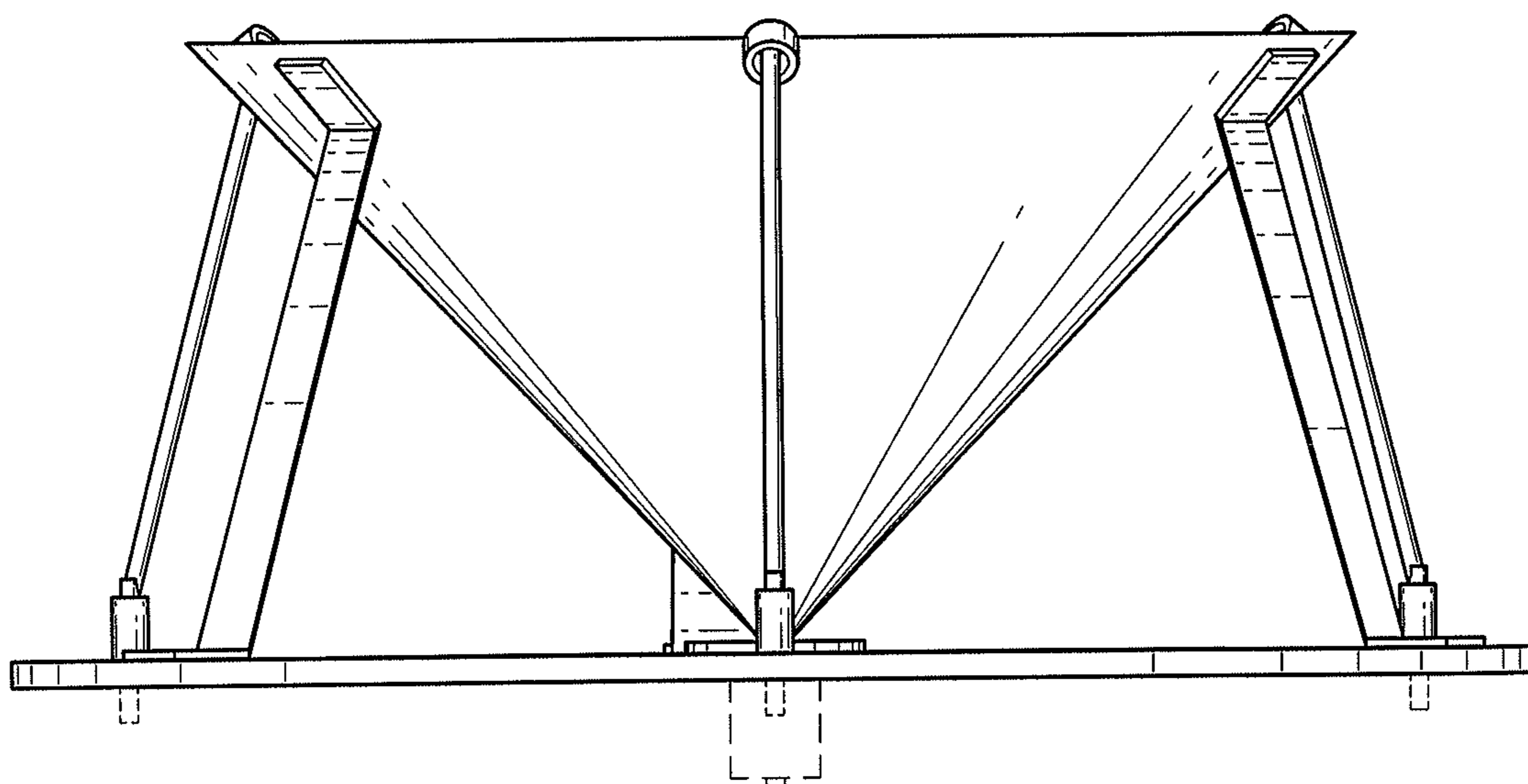


FIG. 7