



US00D890144S

(12) **United States Design Patent** (10) **Patent No.:** **US D890,144 S**
Sakamoto et al. (45) **Date of Patent:** **** Jul. 14, 2020**

(54) **ANTENNA ELEMENT**
(71) Applicant: **Mitsubishi Electric Corporation,**
Tokyo (JP)
(72) Inventors: **Hiroaki Sakamoto,** Tokyo (JP);
Takashi Yanagi, Tokyo (JP); **Naoya**
Noguchi, Tokyo (JP); **Ryuya Seki,**
Tokyo (JP)
(73) Assignee: **Mitsubishi Electric Corporation,**
Tokyo (JP)
(**) Term: **15 Years**
(21) Appl. No.: **29/677,796**
(22) Filed: **Jan. 23, 2019**

(30) **Foreign Application Priority Data**
Jul. 31, 2018 (JP) 2018-016683
(51) **LOC (12) Cl.** **14-03**
(52) **U.S. Cl.**
USPC **D14/230**
(58) **Field of Classification Search**
USPC D14/138, 230-238, 299, 358; D12/42,
D12/43
CPC H01Q 7/00; H01Q 13/10; H01Q 9/285;
H01Q 19/30; H01Q 19/12; H01Q 1/38;
H01Q 1/36; H04B 1/0475; H04B 1/034;
H05K 11/00
See application file for complete search history.

(56) **References Cited**
U.S. PATENT DOCUMENTS
D156,379 S * 12/1949 Spirt D14/235
D260,895 S * 9/1981 Luedtke D14/233
D275,673 S * 9/1984 Iino D14/230

D310,671 S * 9/1990 Weiss D14/230
D361,767 S * 8/1995 Tinaphong D14/230
D426,827 S * 6/2000 Tsai Wang D14/230
D467,242 S * 12/2002 Warner D14/230
D548,730 S * 8/2007 Inoue D14/230
D611,460 S * 3/2010 Chao D14/230
D654,910 S * 2/2012 Thomson D14/230
D713,392 S * 9/2014 Podduturi D14/230
D750,602 S * 3/2016 Yang D14/230
D790,514 S * 6/2017 Woodward D10/65
D801,316 S * 10/2017 Weber D14/230
D802,569 S * 11/2017 Zheng D14/230
D807,863 S * 1/2018 Ploetz D14/230
D829,696 S * 10/2018 Wallace D14/233
10,483,640 B1 * 11/2019 Issa H01Q 5/392
D869,450 S * 12/2019 Yang D14/230
2015/0255874 A1 * 9/2015 Hung H01Q 9/40
343/786
2018/0356086 A1 * 12/2018 Maxik F21S 8/026

* cited by examiner

Primary Examiner — John Windmuller
(74) *Attorney, Agent, or Firm* — Studebaker & Brackett
PC

(57) **CLAIM**
The ornamental design for an antenna element, as shown and
described.

DESCRIPTION
FIG. 1 is a front, top, and right side perspective view of an
antenna element showing our new design;
FIG. 2 is a front view thereof;
FIG. 3 is a rear view thereof;
FIG. 4 is a left side view thereof;
FIG. 5 is a right side view thereof;
FIG. 6 is a top view thereof; and,
FIG. 7 is a bottom view thereof.
The parts shown in the broken lines do not form part of the
claimed designs.

1 Claim, 7 Drawing Sheets

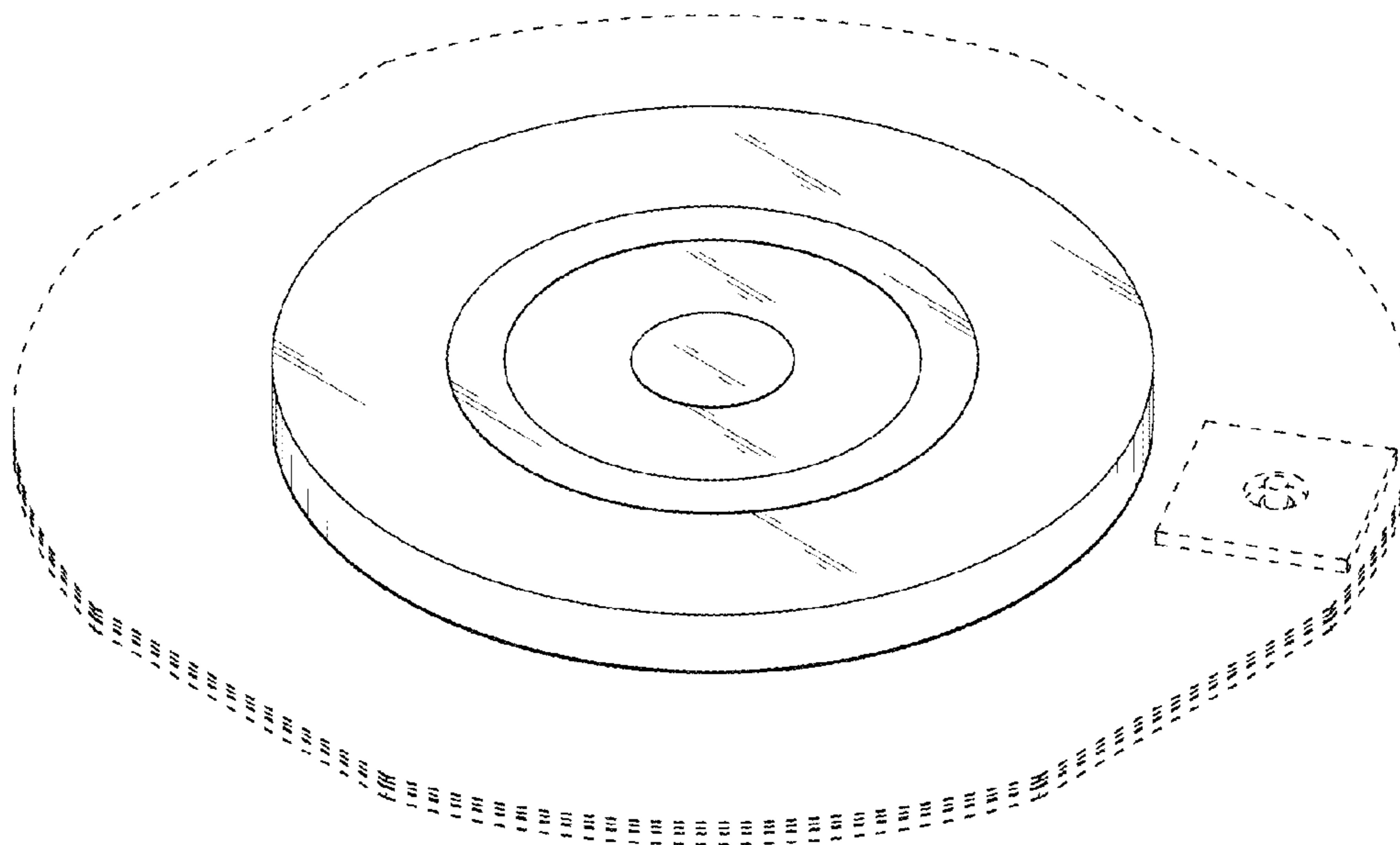


Fig.1

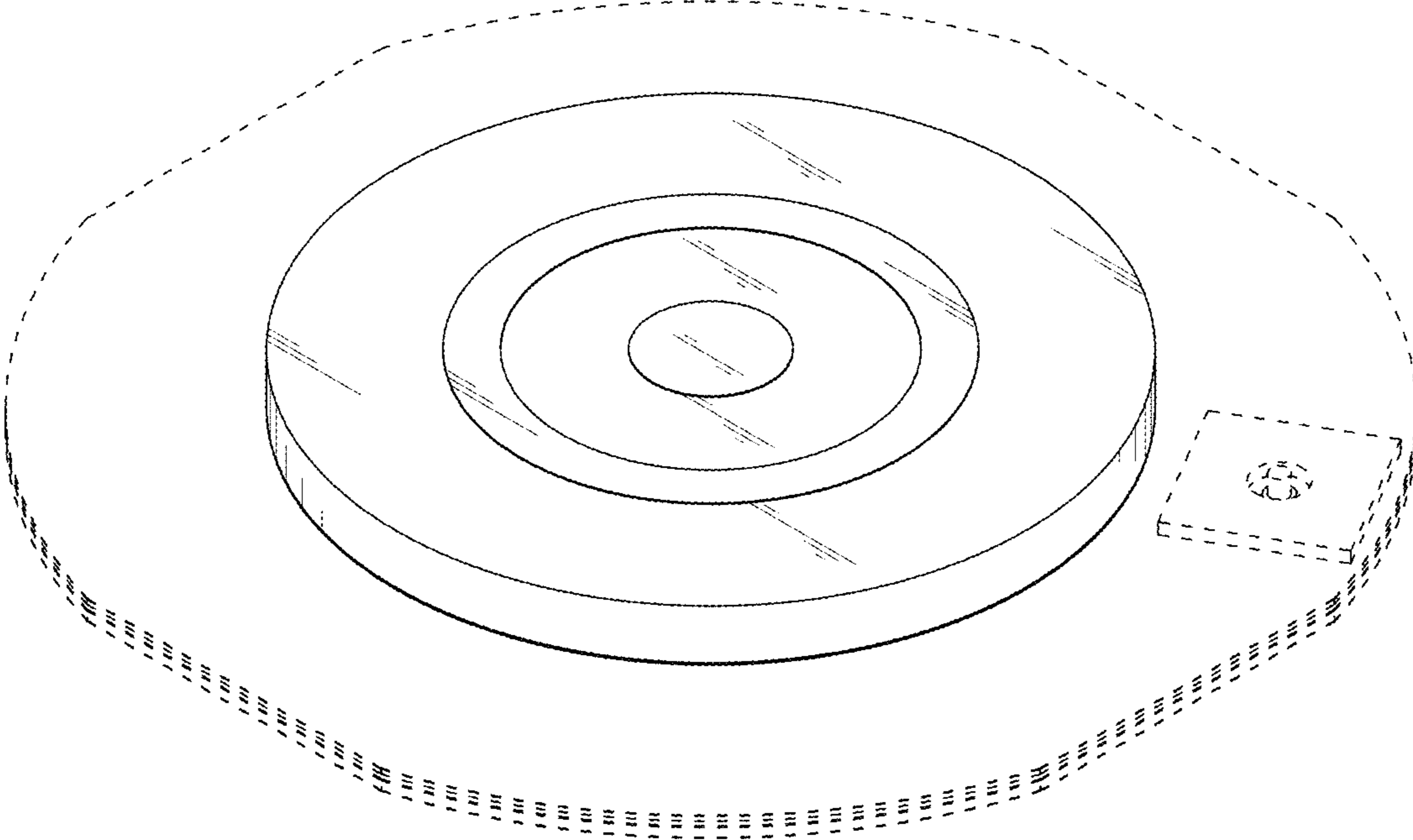


Fig.2

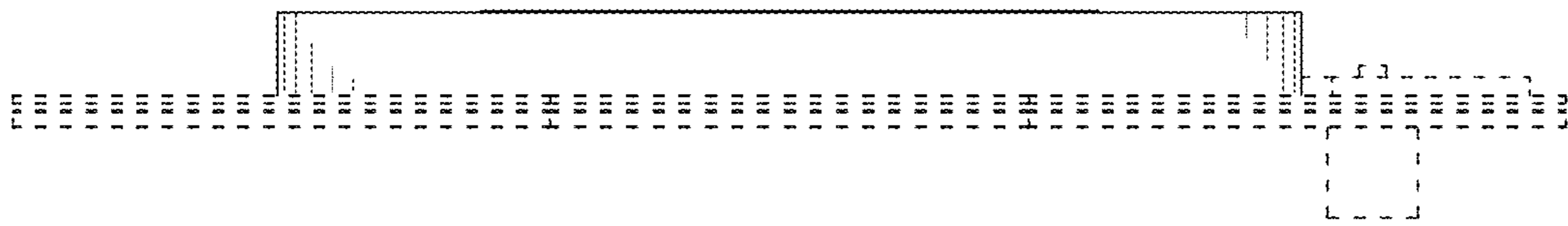


Fig.3

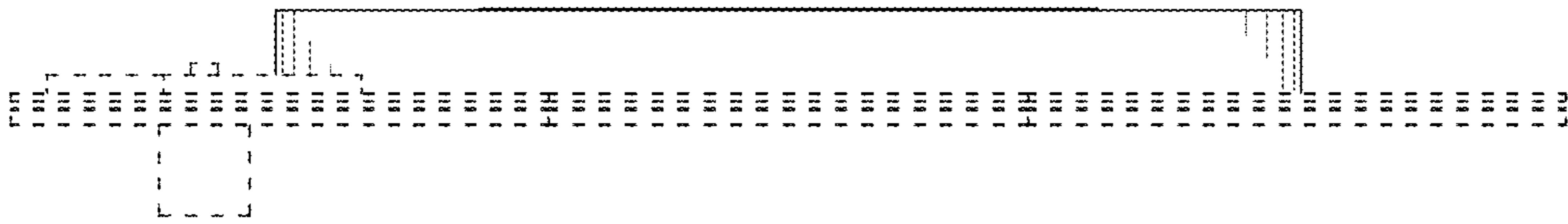


Fig.4

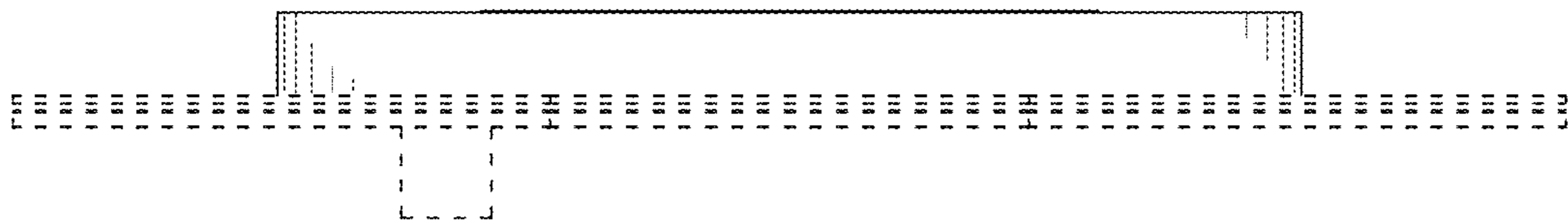


Fig.5

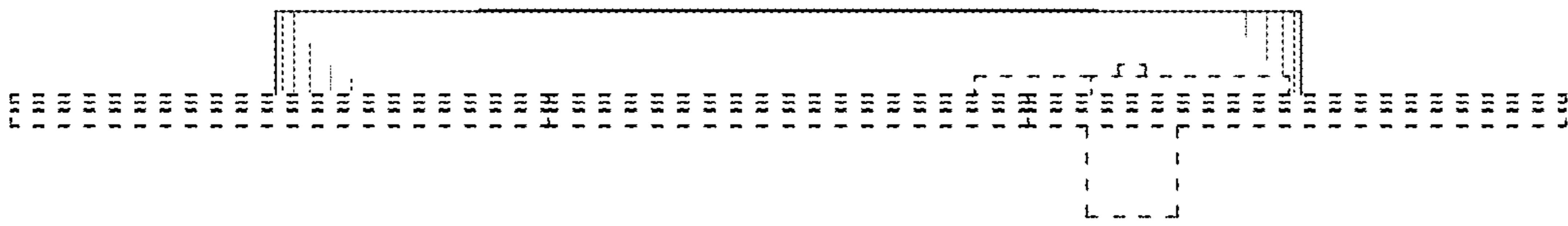


Fig.6

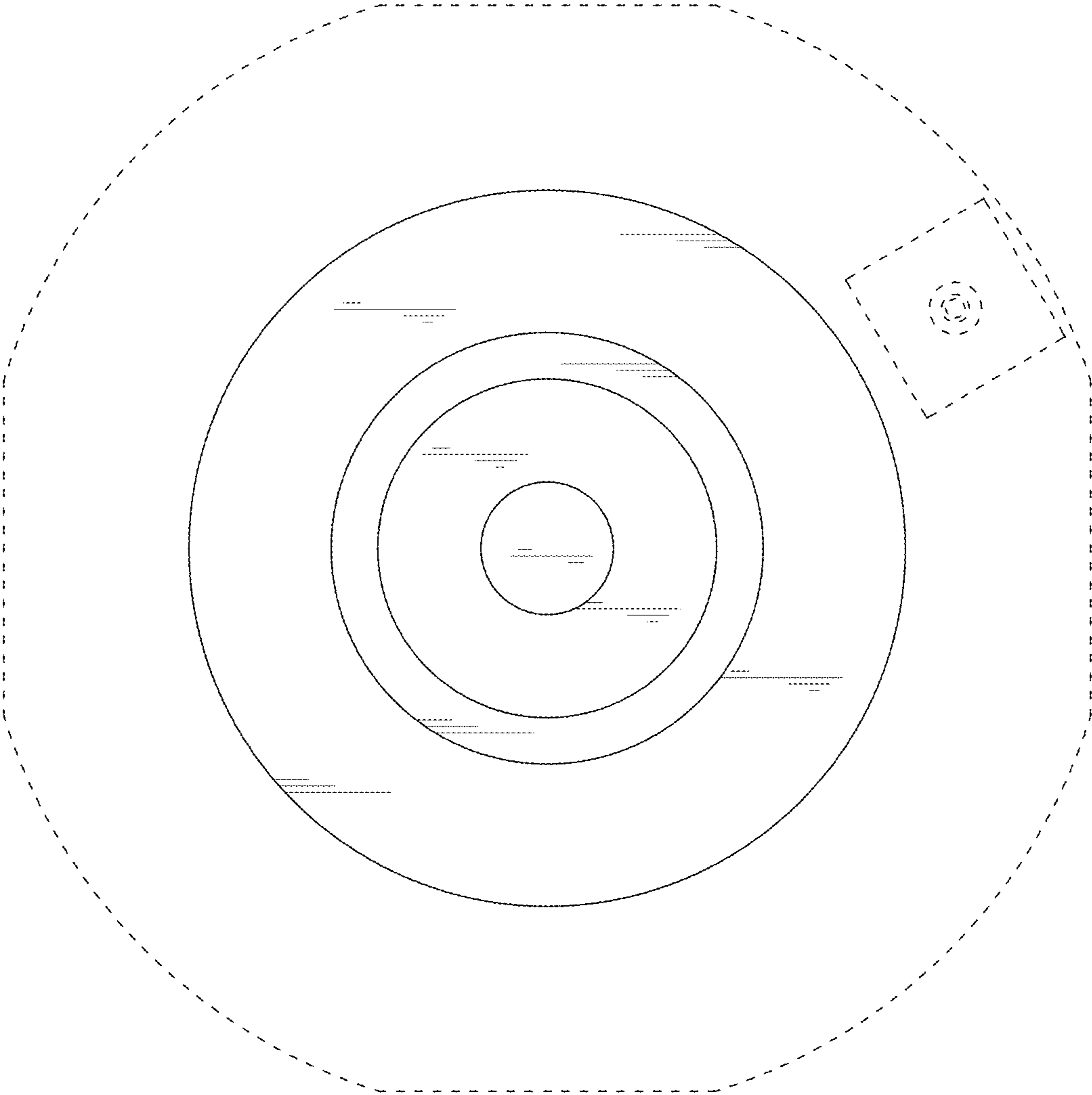


Fig.7

