



US00D890143S

(12) **United States Design Patent**
Cole et al.

(10) **Patent No.:** **US D890,143 S**
(45) **Date of Patent:** **** Jul. 14, 2020**

- (54) **ANTENNA** 6,317,091 B1 * 11/2001 Oppelt G01R 33/285
324/318
- (71) Applicant: **SUBSITE, LLC**, Perry, OK (US) 7,642,917 B2 * 1/2010 Tran G06K 7/10435
340/572.7
- (72) Inventors: **Scott B. Cole**, Edmond, OK (US); 7,952,357 B2 5/2011 Cole et al.
Klayton Day Jones, Perry, OK (US); 8,497,684 B2 7/2013 Cole et al.
David R. Brown, Perry, OK (US) 8,711,047 B2 * 4/2014 Tran H01Q 1/2266
343/742
- (73) Assignee: **The Charles Machine Works, Inc.**, 9,329,297 B2 5/2016 Cole et al.
Perry, OK (US) 2015/0115964 A1 4/2015 Cole et al.

* cited by examiner

(**) Term: **15 Years**

Primary Examiner — John Windmuller

(21) Appl. No.: **29/671,687**

(74) *Attorney, Agent, or Firm* — Tomlinson McKinstry, P.C.

(22) Filed: **Nov. 29, 2018**

(51) **LOC (12) Cl.** **14-03**

(57) **CLAIM**

(52) **U.S. Cl.**
USPC **D14/230**

The ornamental design for an antenna, as shown and described.

(58) **Field of Classification Search**
USPC D14/138, 230–238, 299, 358; D12/42,
D12/43
CPC H01Q 7/00; H01Q 13/10; H01Q 9/285;
H01Q 19/30; H01Q 19/12; H01Q 1/38;
H01Q 1/36; H04B 1/0475; H04B 1/034;
H05K 11/00
See application file for complete search history.

DESCRIPTION

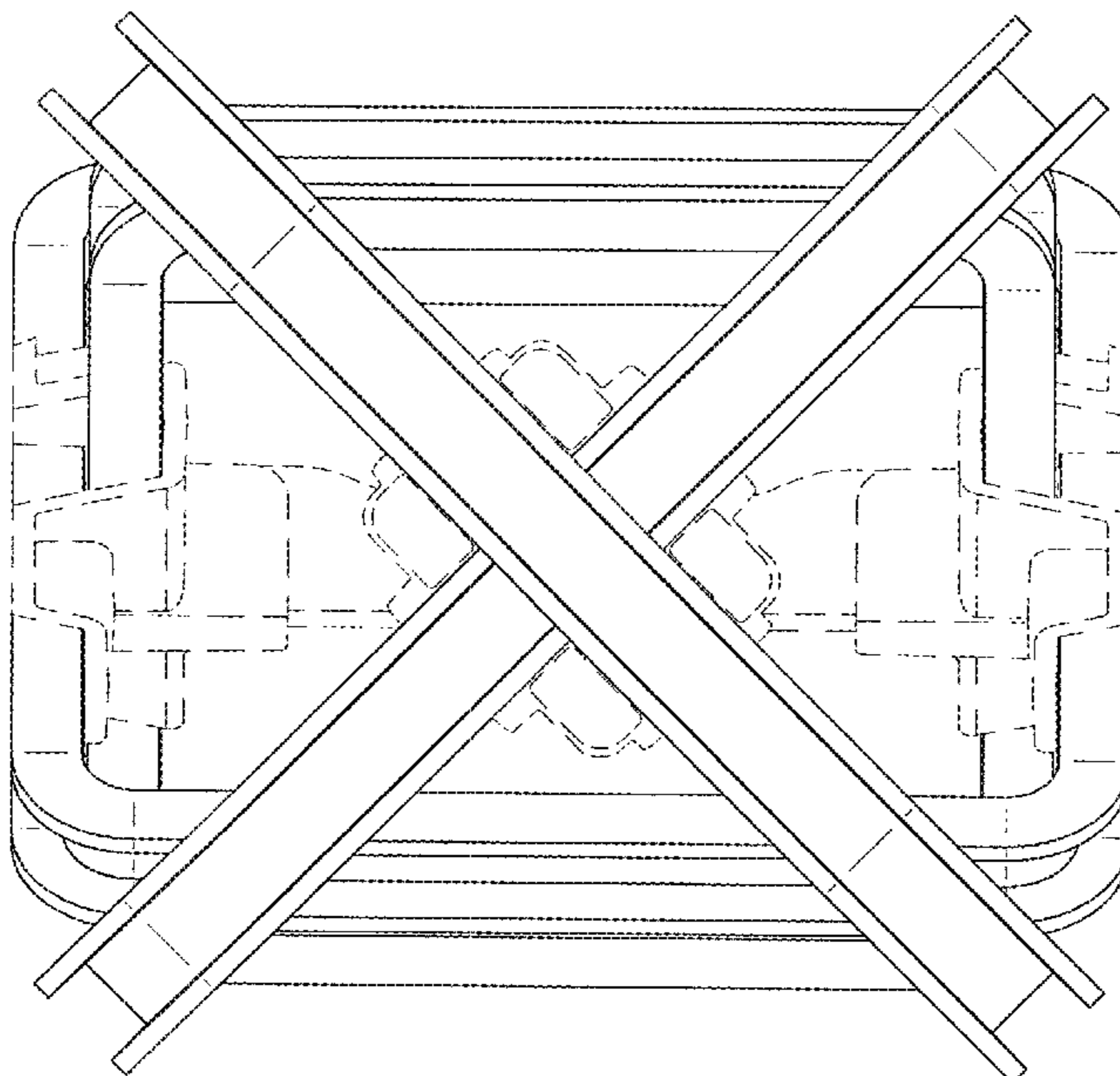
FIG. 1 is a left side plan view of our design.
FIG. 2 is a right side plan view thereof.
FIG. 3 is a front plan view thereof.
FIG. 4 is a back plan view thereof.
FIG. 5 is a top plan view thereof.
FIG. 6 is a bottom plan view thereof.
FIG. 7 is a back bottom perspective view thereof.
FIG. 8 is a back top perspective view thereof.
FIG. 9 is a bottom right perspective view thereof.
FIG. 10 is a bottom left perspective view thereof.
FIG. 11 top right front perspective view thereof; and,
FIG. 12 is a front left perspective view thereof.
The broken line elements are included for the purposes of illustrating portions of the antenna and form no part of the claimed design.

(56) **References Cited**

U.S. PATENT DOCUMENTS

- 2,093,158 A * 9/1937 Pratt H01Q 7/00
336/123
- 3,689,885 A * 9/1972 Kaplan G07C 9/28
340/10.1
- 4,050,002 A * 9/1977 Fawcett G05D 3/14
318/661
- D325,764 S * 4/1992 Hebbard D21/688
- 5,699,048 A * 12/1997 Galloway G01V 15/00
340/572.5
- 6,005,532 A 12/1999 Ng

1 Claim, 12 Drawing Sheets



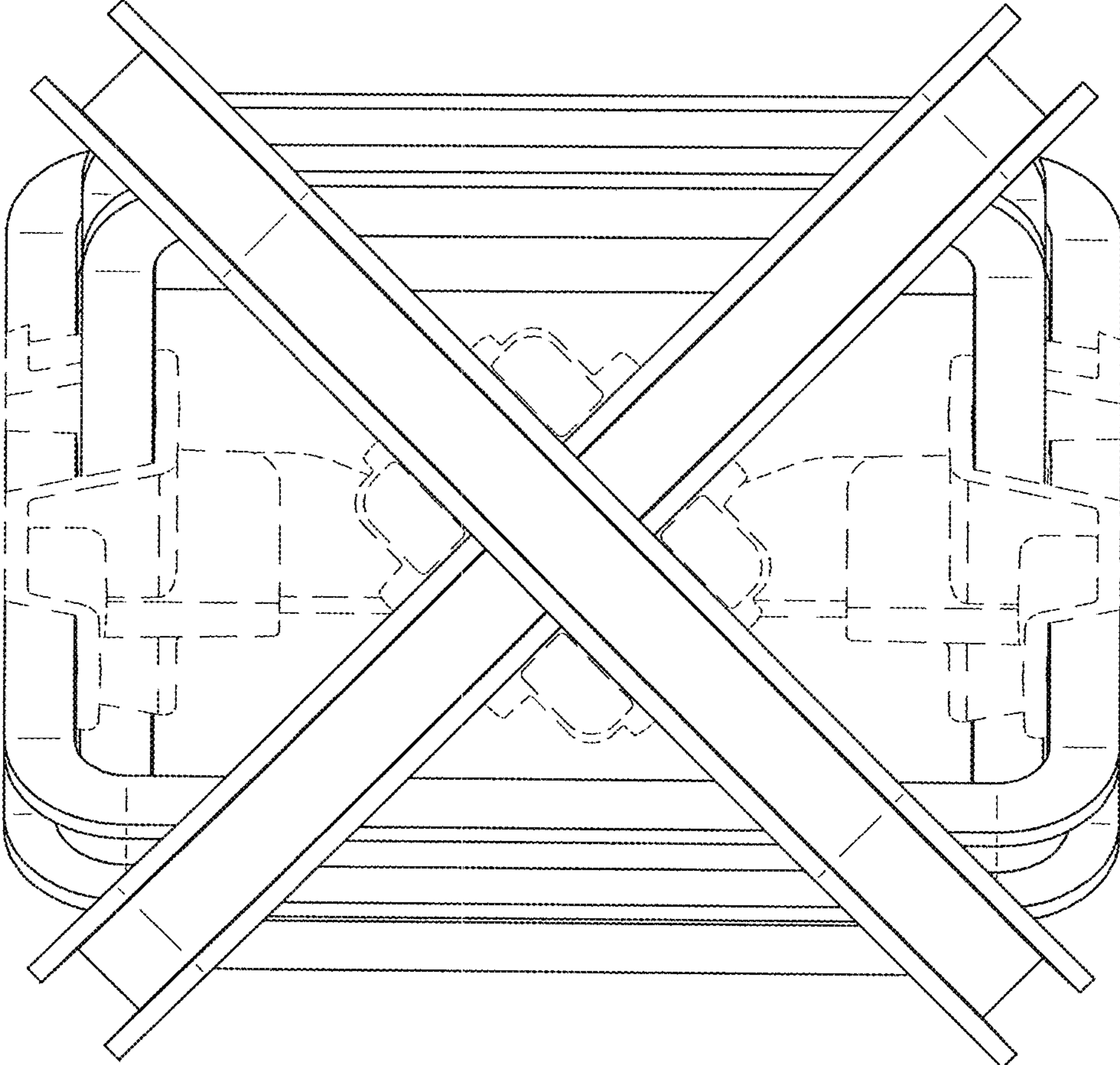


FIG. 1

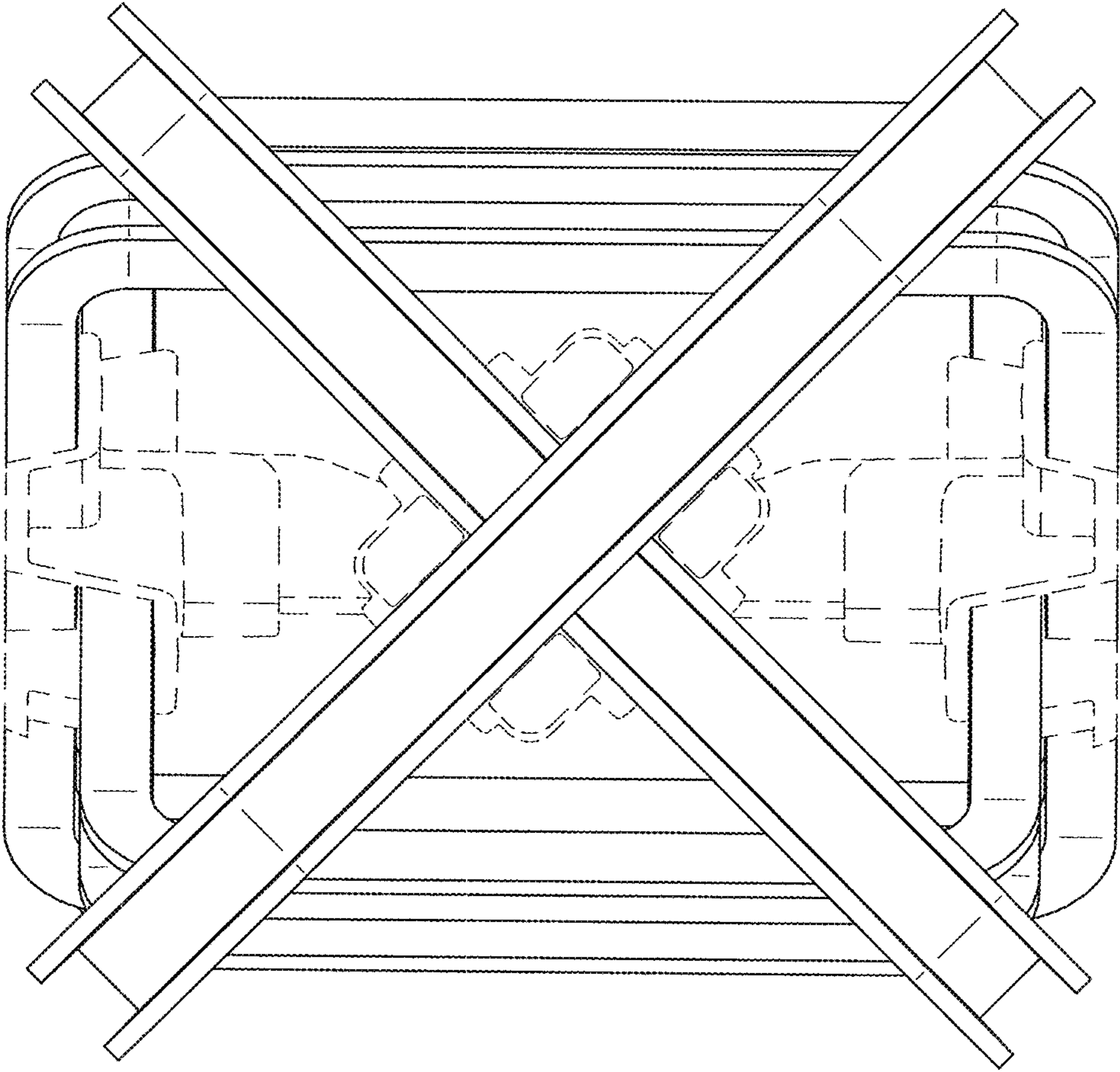


FIG. 2

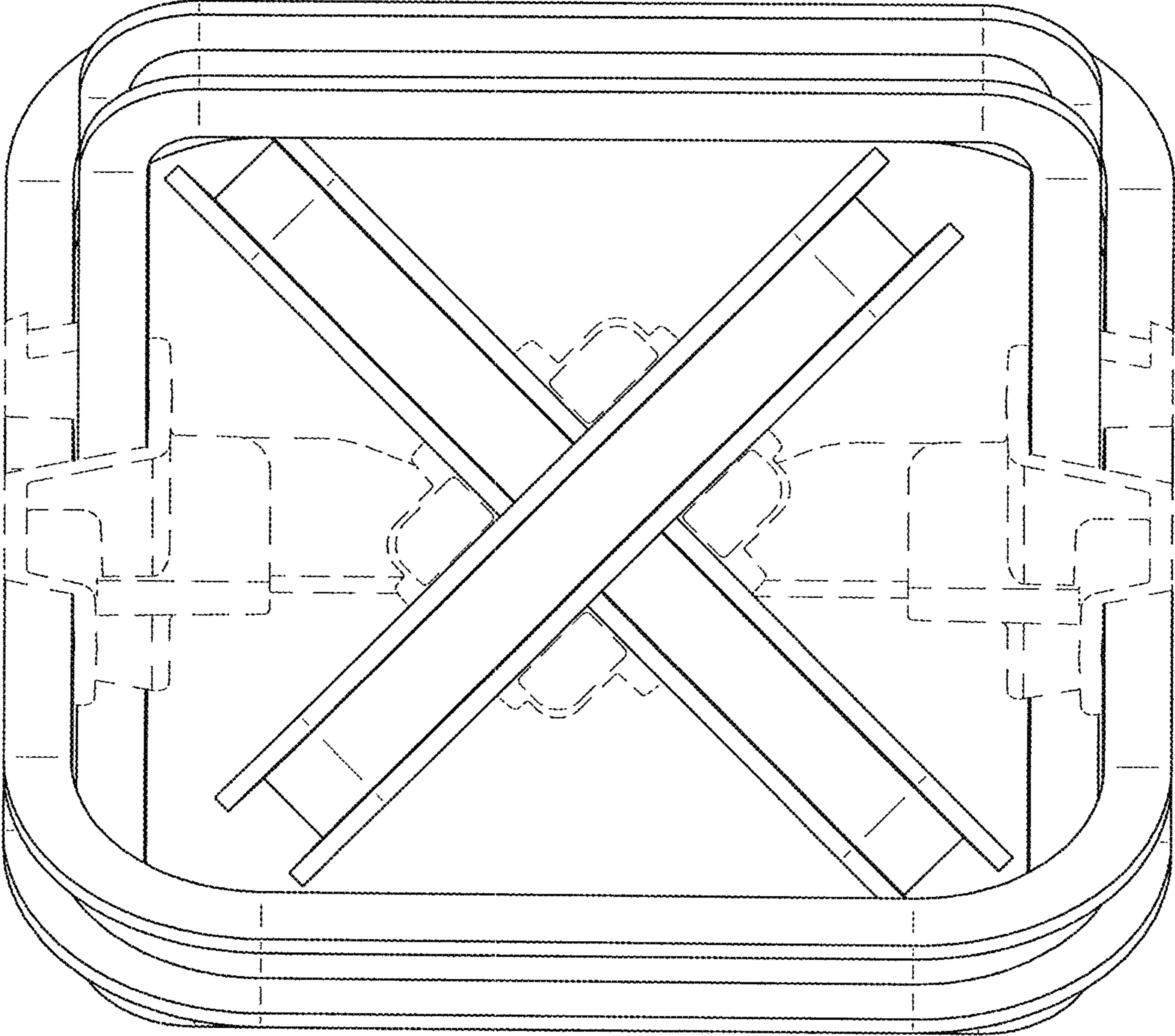


FIG. 3

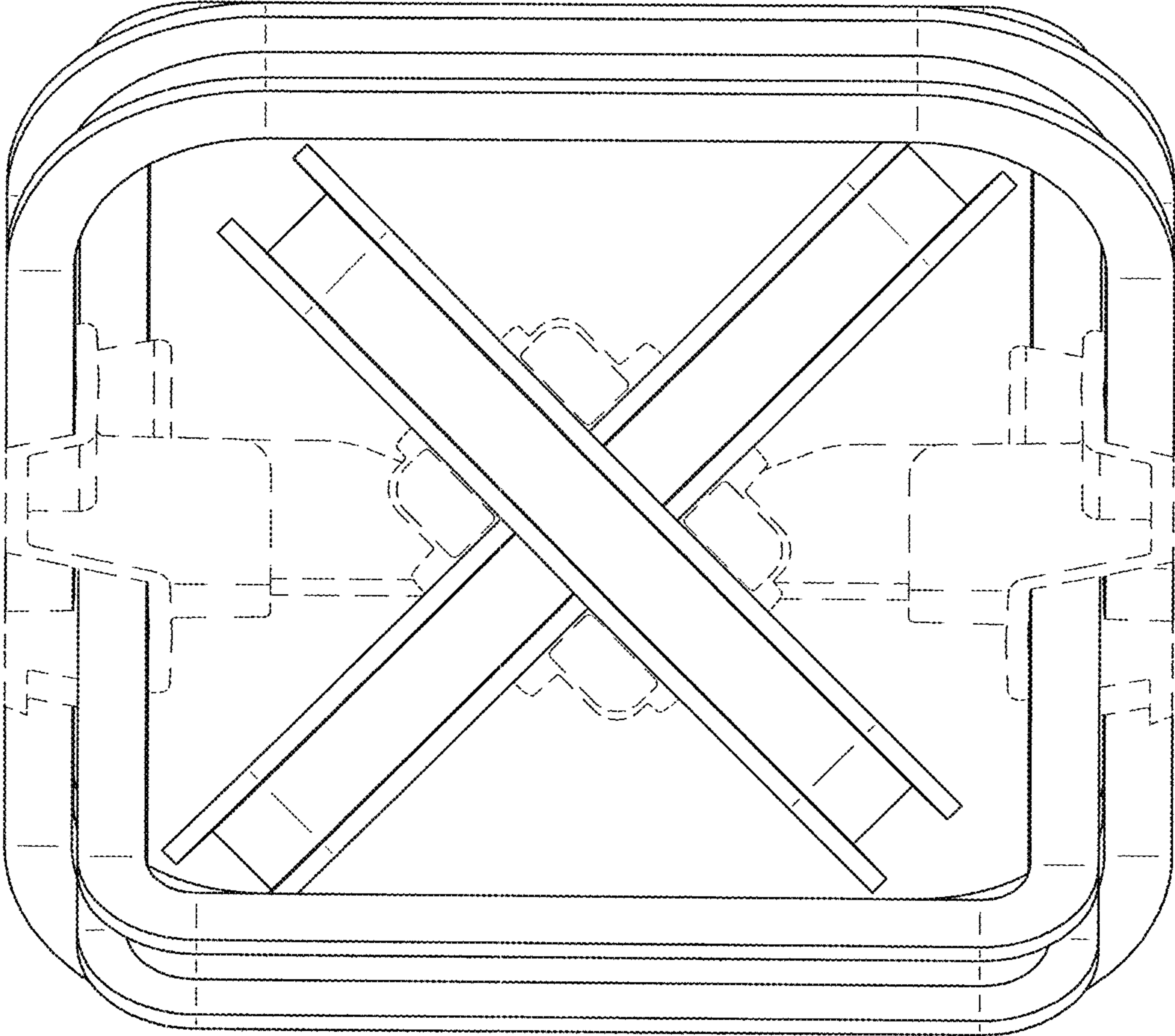


FIG. 4

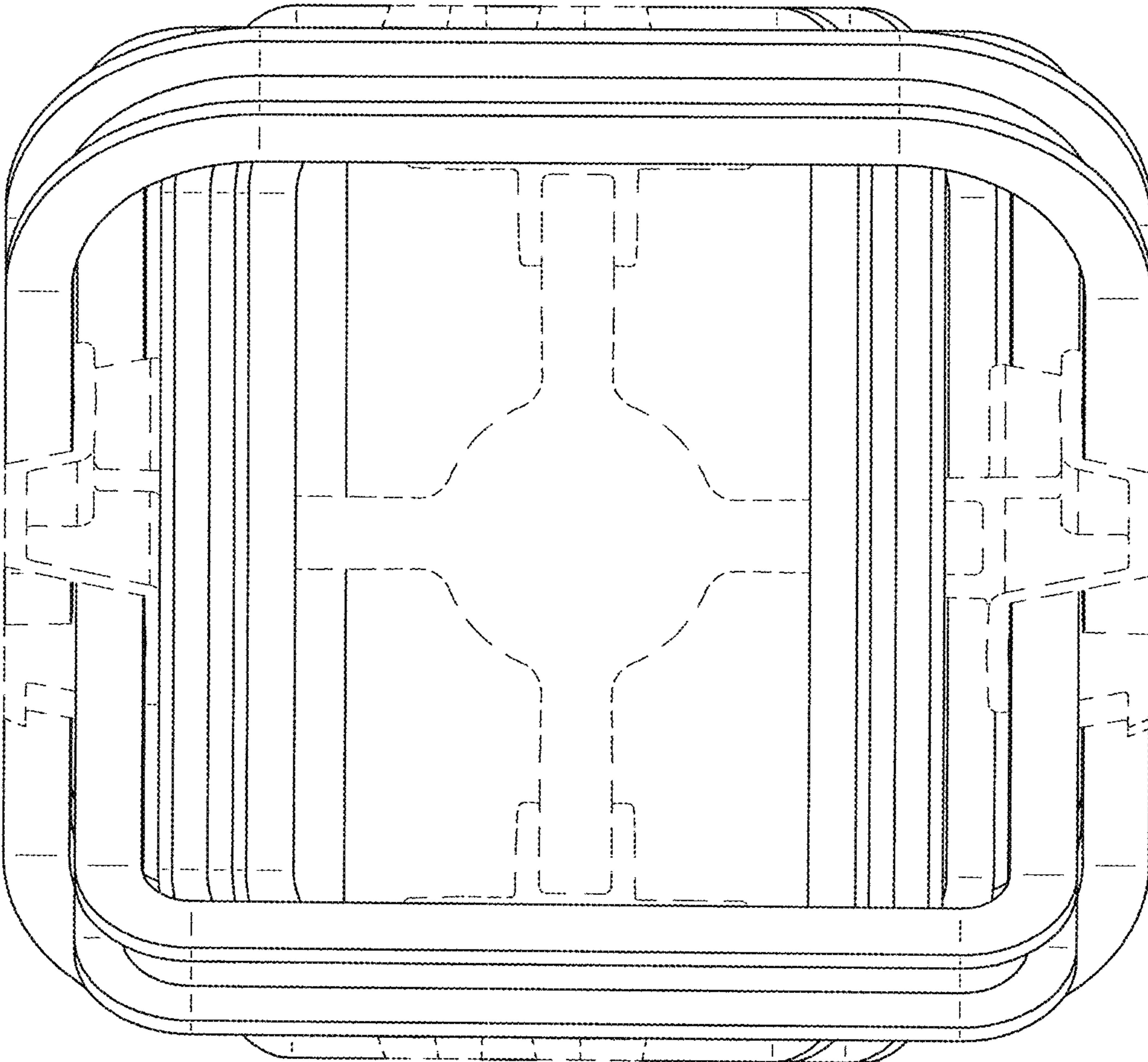


FIG. 5

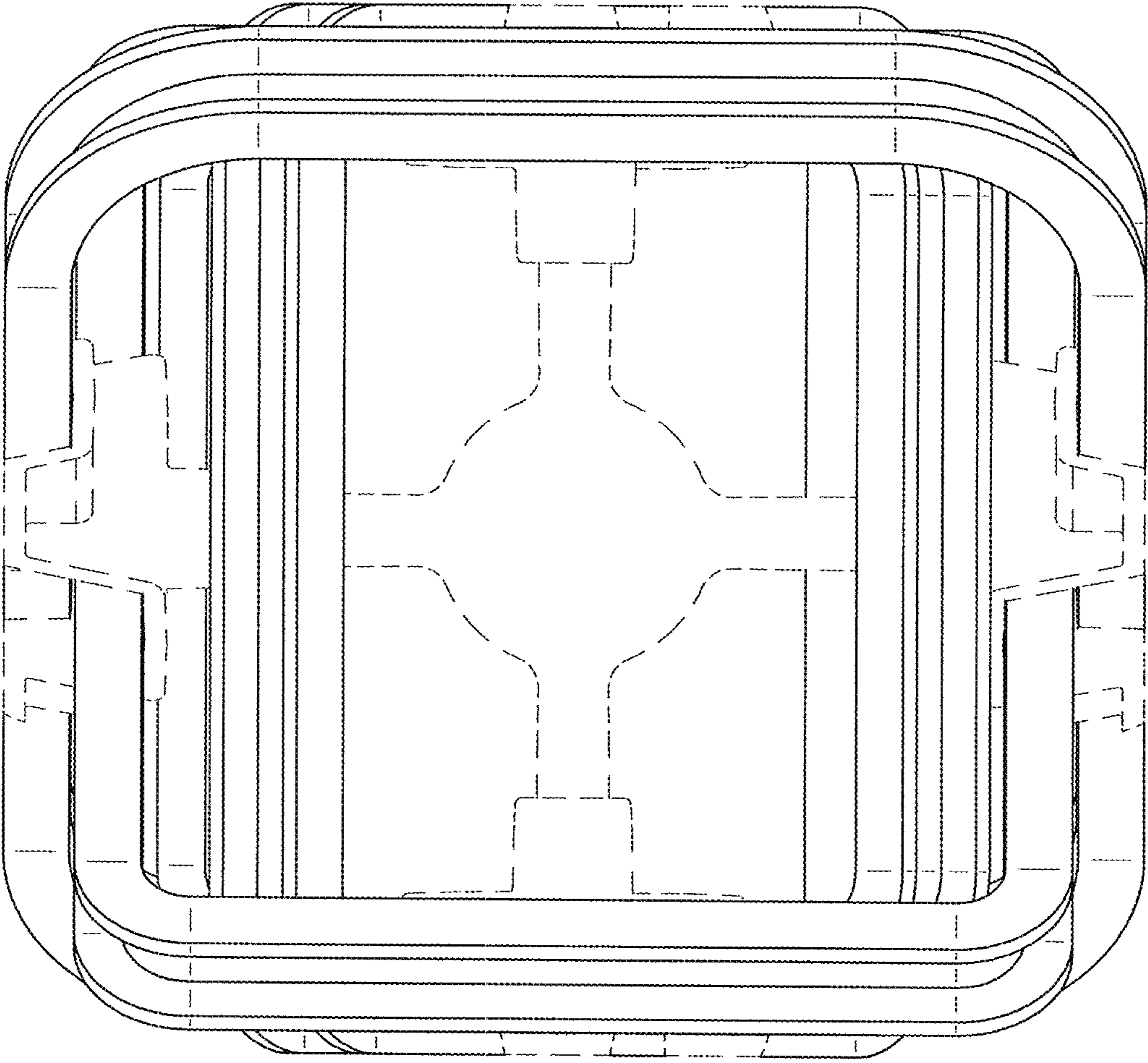


FIG. 6

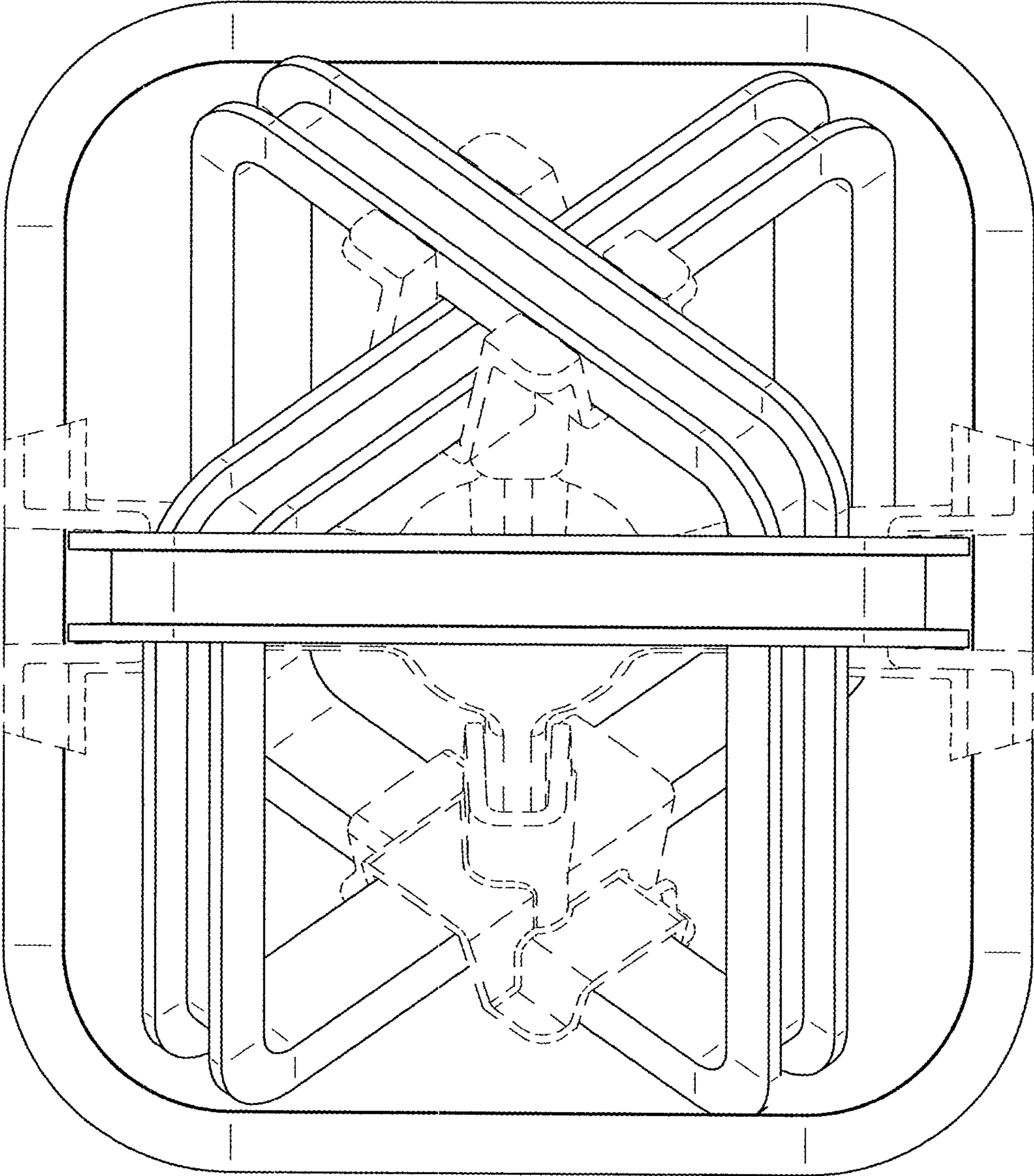


FIG. 7

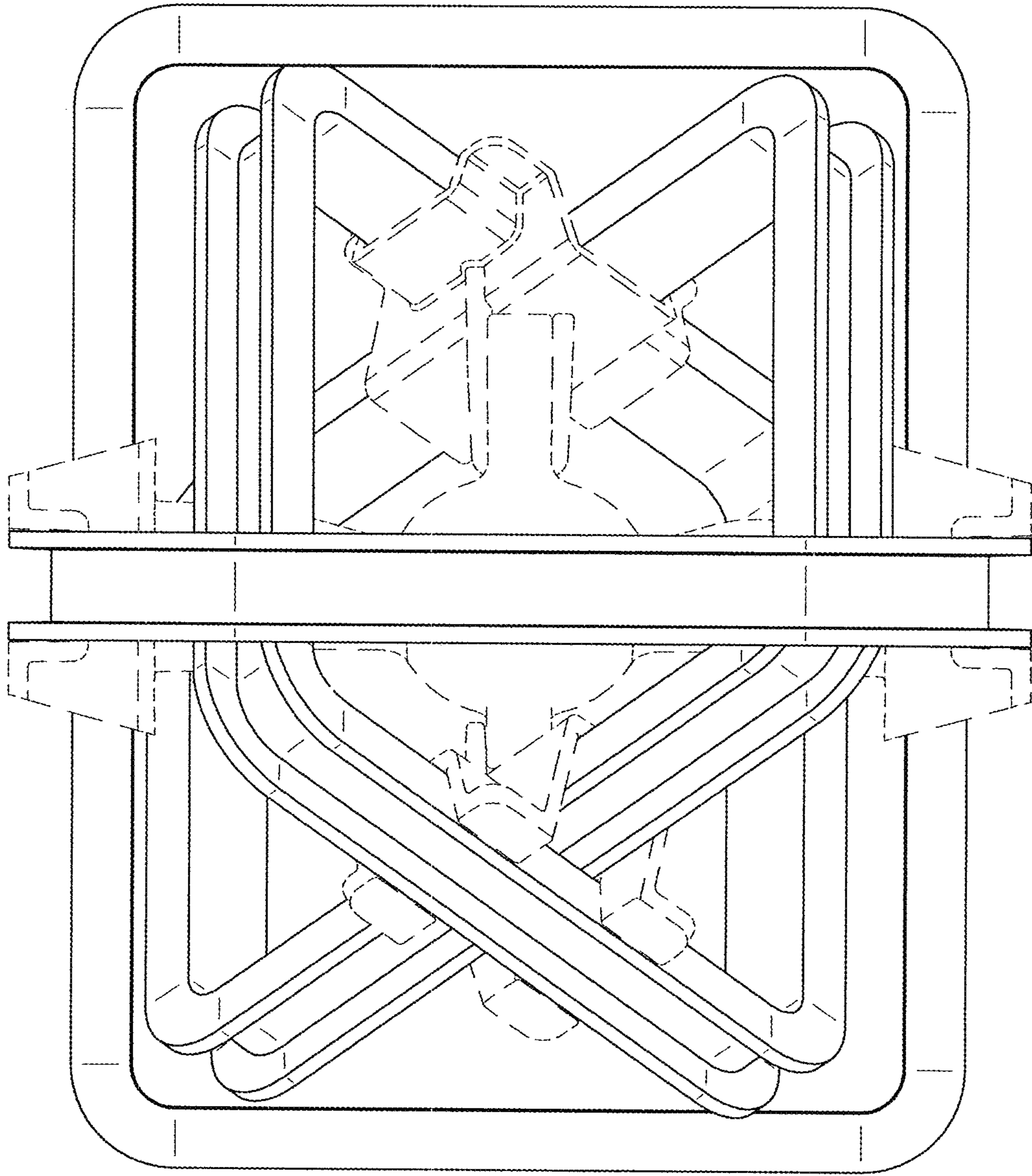


FIG. 8

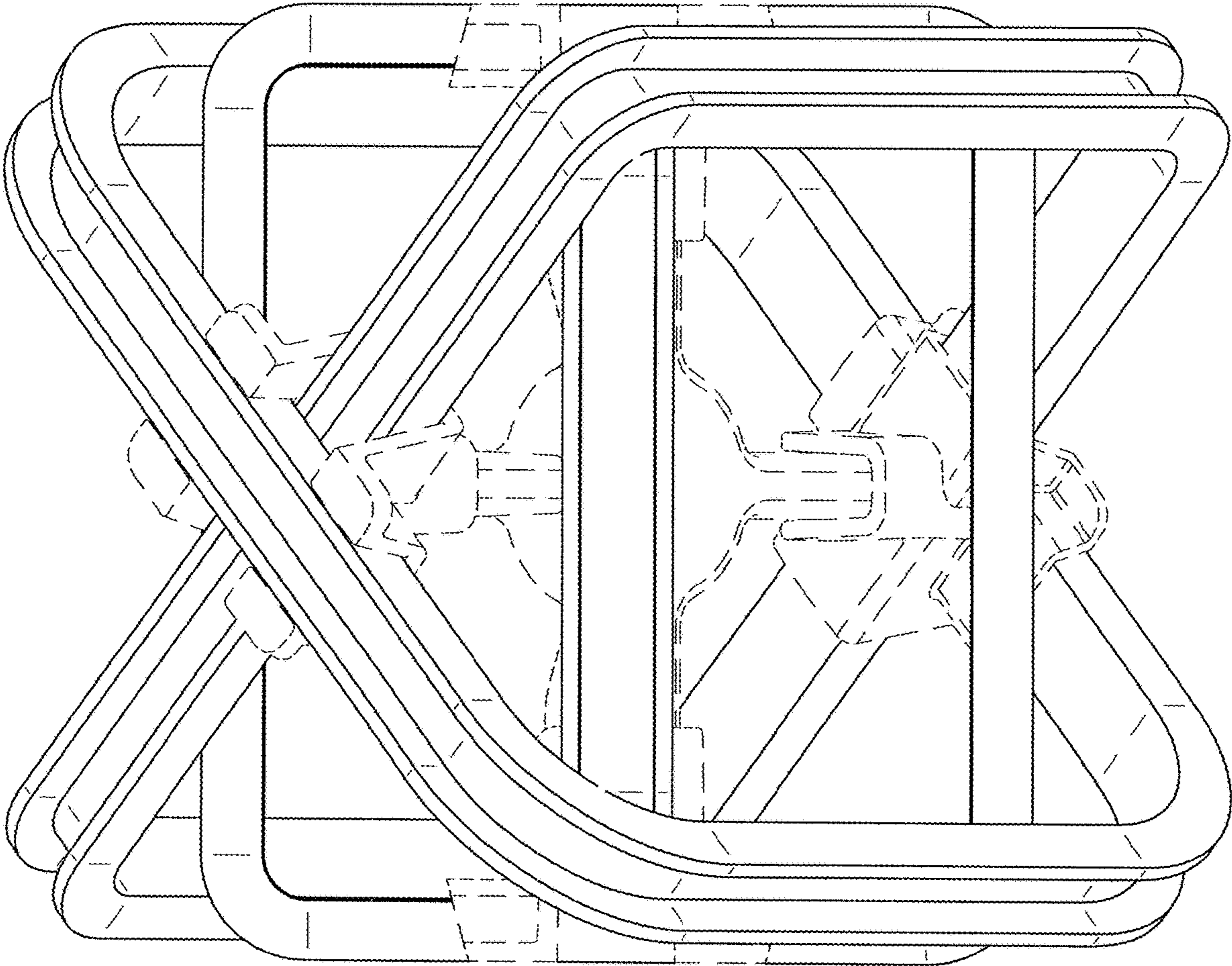


FIG. 9

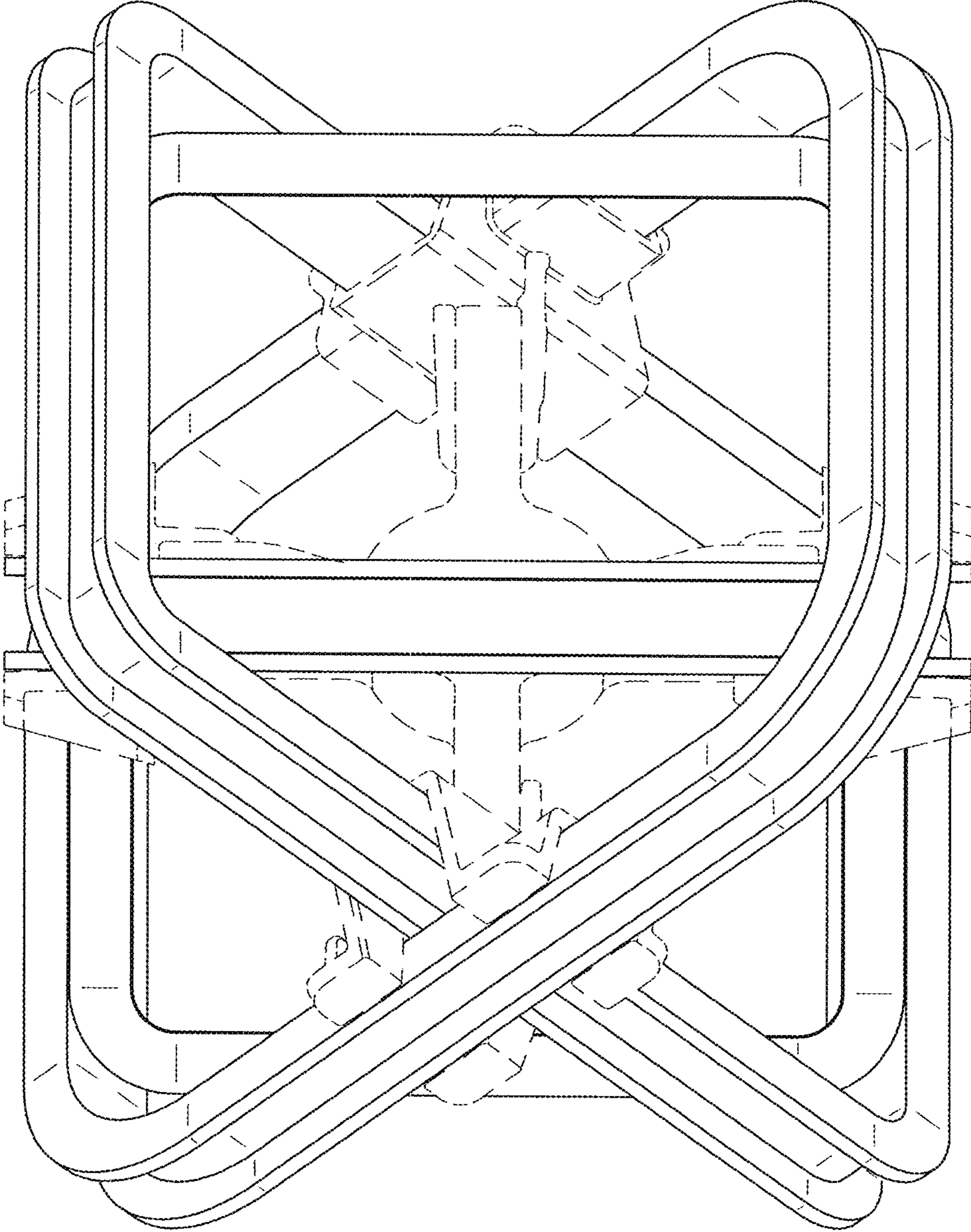


FIG. 10

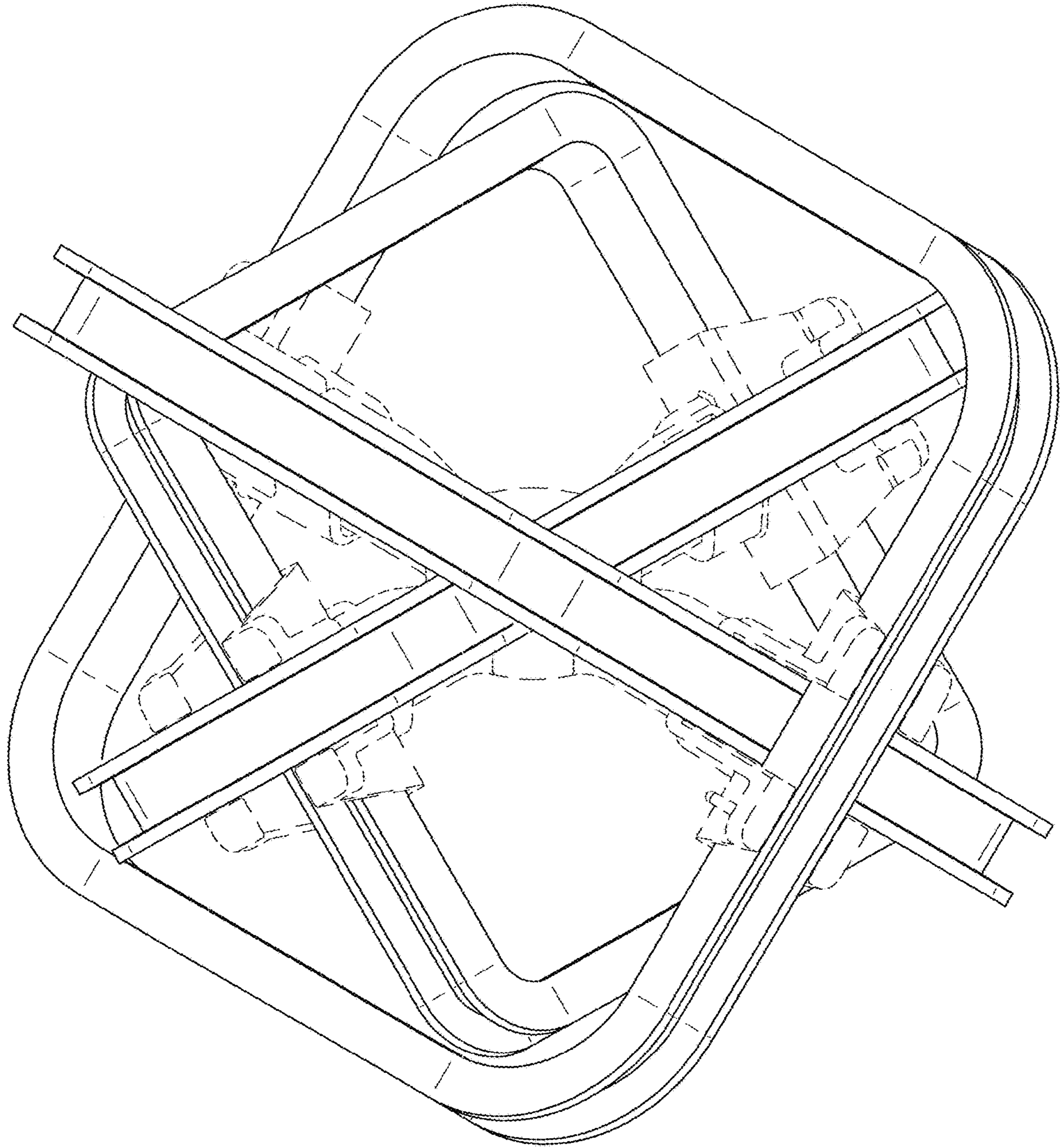


FIG. 11

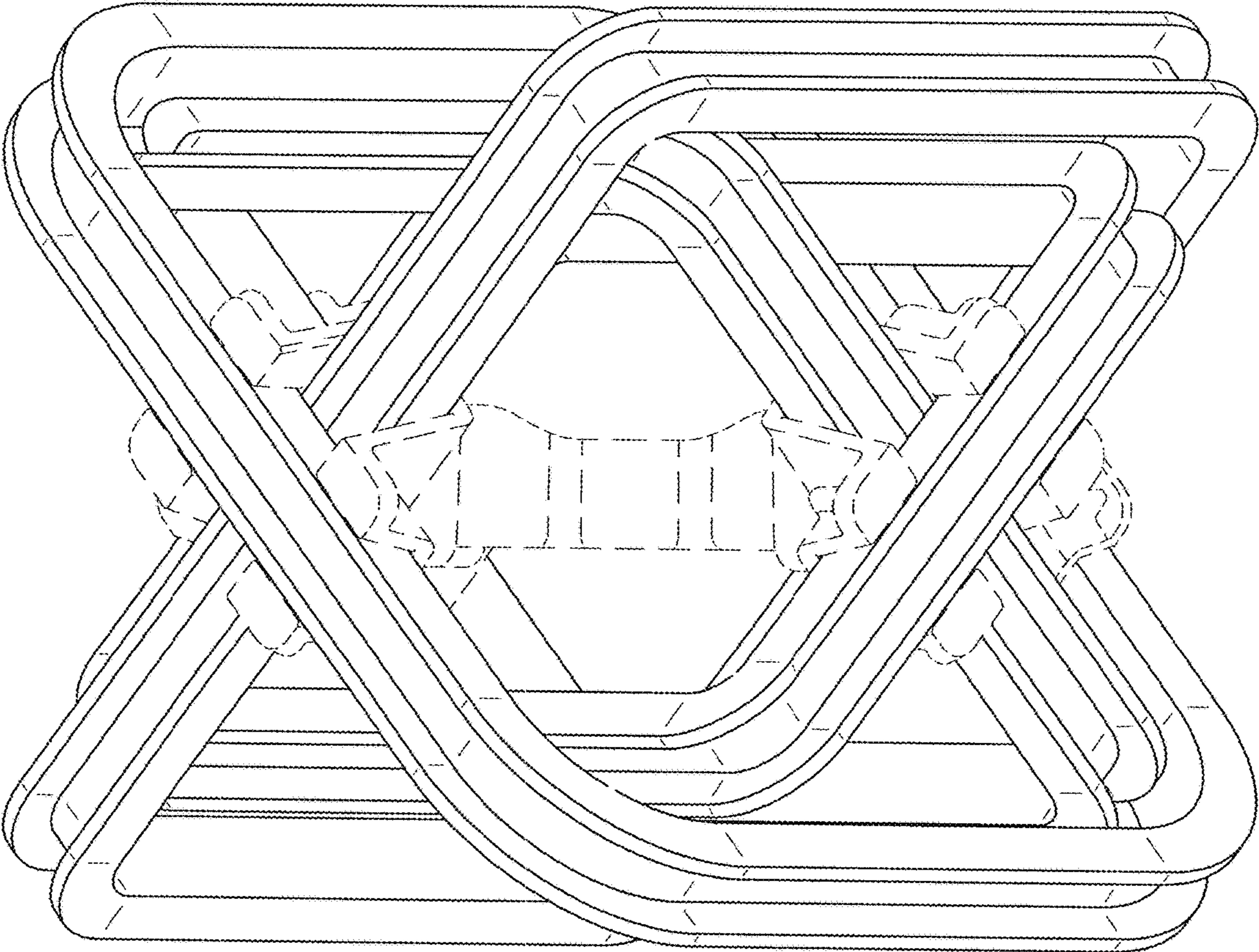


FIG. 12