



US00D890142S

(12) **United States Design Patent** (10) **Patent No.:** **US D890,142 S**
Kallas et al. (45) **Date of Patent:** **** Jul. 14, 2020**

- (54) **HOLDER FOR MUSIC ACCESSORIES**
- (71) Applicant: **ACCESS PRODUCTS GROUP, LLC**,
Bainbridge, WA (US)
- (72) Inventors: **Ryan Kallas**, Bainbridge Island, WA
(US); **J. Herschel Blankenship**,
Bainbridge Island, WA (US)
- (73) Assignee: **ACCESS PRODUCTS GROUP, LLC**,
Kingston, WA (US)
- (**) Term: **15 Years**
- (21) Appl. No.: **29/623,444**
- (22) Filed: **Oct. 25, 2017**

Related U.S. Application Data

- (63) Continuation of application No. 29/502,138, filed on
Sep. 12, 2014, now Pat. No. Des. 801,315, which is
a continuation of application No. 29/421,803, filed on
Sep. 26, 2012, now Pat. No. Des. 714,267.

- (51) **LOC (12) Cl.** **14-01**
- (52) **U.S. Cl.**
USPC **D14/229**

- (58) **Field of Classification Search**
USPC D14/224, 225, 226, 229; D8/355, 394,
D8/396; D16/248; D17/22; 84/730;
248/55, 57, 183.1, 183.2, 278.11, 229.12,
248/229.15, 229.25, 289.31, 278.1;
381/365, 368
CPC .. G10H 3/146; G10H 3/143; G10H 2220/525;
G10H 2230/275; G10D 13/024; F16M
11/12; F16M 11/14; F16M 11/04; F16M
13/02; F16C 11/106; F16C 11/0614;
F16C 11/0619; F16C 11/06; F16C
11/0623; F16L 37/18; F16L 37/05; F16L
37/16; B62D 7/16; A61G 13/101; A61G
13/121; B66C 23/62

See application file for complete search history.

(56) **References Cited**

U.S. PATENT DOCUMENTS

2,296,176 A	9/1942	Neufeld	
3,278,207 A	10/1966	Barish	
D223,579 S *	5/1972	Plice	D14/229
D268,672 S	4/1983	Mchpherson	
D278,233 S	4/1985	Hardy	
4,647,434 A	3/1987	Ayers	
D289,835 S	5/1987	Schoenig	
5,118,058 A	6/1992	Richter	
D432,812 S	10/2000	Rivera	
D450,339 S	11/2001	Eason	
6,328,270 B1	12/2001	Elberbaum	
6,375,135 B1	4/2002	Eason	
D464,953 S *	10/2002	Lenz	D14/229
D464,954 S	10/2002	Lenz	
D464,955 S	10/2002	Lenz	
6,588,716 B1	7/2003	Held	

(Continued)

Primary Examiner — Holly E Thurman

(74) *Attorney, Agent, or Firm* — J. Bennett Mullinax,
LLC

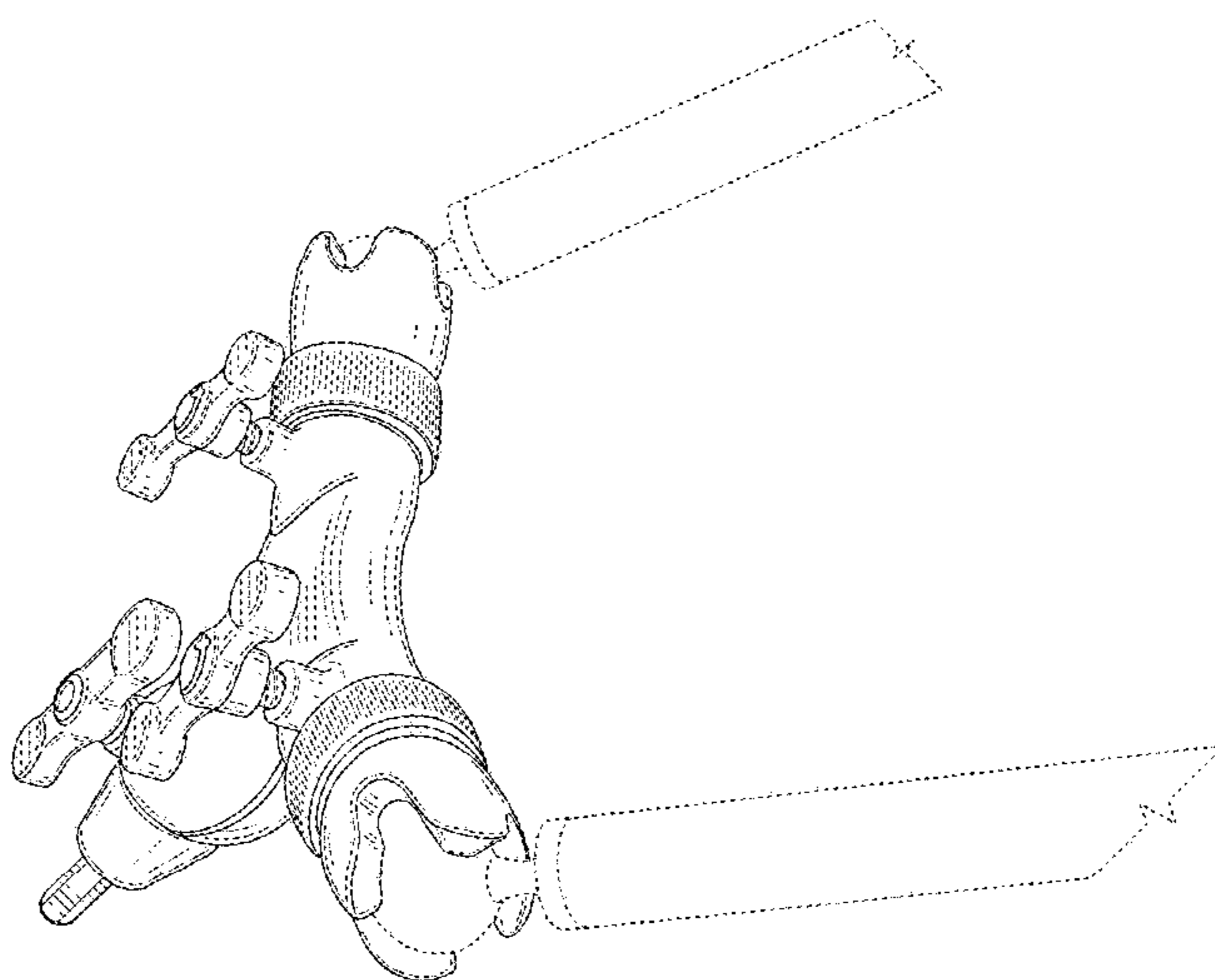
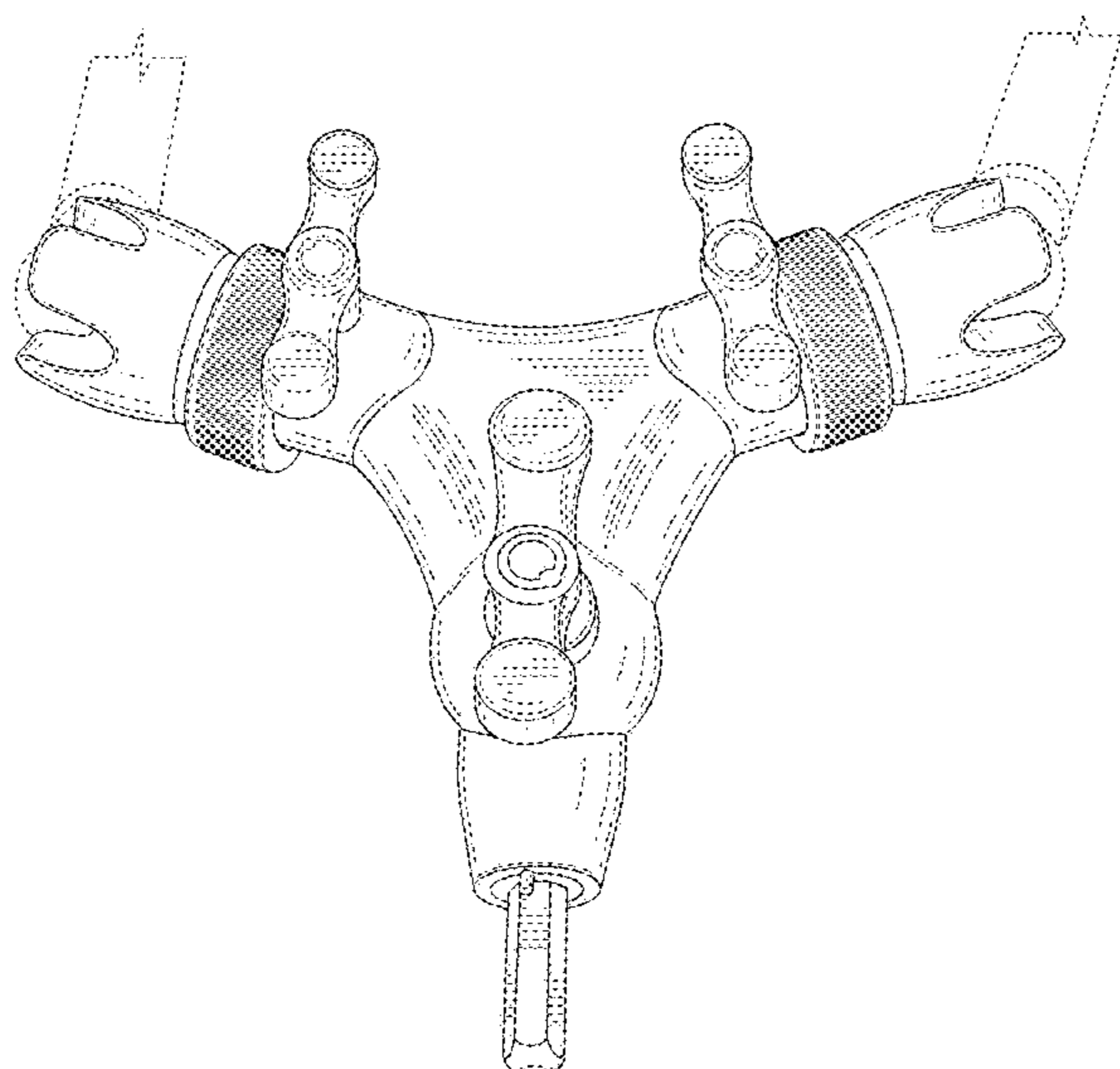
(57) **CLAIM**

The ornamental design for a holder for music accessories, as
shown and described.

DESCRIPTION

FIG. 1 is a front view of a holder for music accessories
according to the present invention;
FIG. 2 is a back view thereof;
FIG. 3 is a right front perspective view thereof;
FIG. 4 is a left rear perspective view thereof;
FIG. 5 is a top view thereof;
FIG. 6 is a bottom view thereof; and,
FIG. 7 is a right perspective view thereof.
The broken lines shown in the drawing disclosure are for
illustrative purposes only and form no part of the claimed
design.

1 Claim, 7 Drawing Sheets



(56)

References Cited

U.S. PATENT DOCUMENTS

6,595,704 B2 *	7/2003	Ambrose	G03B 17/00 348/143	2007/0080268 A1	4/2007	Worrell	
6,922,475 B2	7/2005	Hsieh		2009/0039215 A1	2/2009	Hilderman et al.	
D519,990 S	5/2006	Lazoe		2011/0020055 A1	1/2011	Kallas et al.	
7,100,881 B2	9/2006	Worrall		2011/0079256 A1	4/2011	Renaud-Goud et al.	
D579,928 S	11/2008	Murata		2013/0264450 A1	10/2013	Bigeh	
D581,907 S	12/2008	Crous		2014/0234015 A1 *	8/2014	Kallas	F16M 11/2078 403/90
D617,781 S *	6/2010	Kallas	D14/226	2015/0001365 A1 *	1/2015	Vogt	F16C 11/106 248/371
D618,222 S *	6/2010	Kallas	D14/229	2015/0122968 A1	5/2015	Hu	
8,342,468 B1	1/2013	Strickland		2015/0168815 A1	6/2015	Chen	
8,398,315 B2	3/2013	Johnson		2015/0192242 A1 *	7/2015	Zhang	F16M 13/02 248/176.3
8,571,250 B2	10/2013	Royer et al.		2015/0243267 A1	8/2015	Muyajima	
8,609,970 B2	12/2013	May		2015/0354745 A1	12/2015	Tarnay	
8,714,744 B2	5/2014	Greaves		2015/0370148 A1 *	12/2015	Battaglia	F16M 11/10 396/428
D714,267 S *	9/2014	Kallas	D14/229	2016/0115991 A1	4/2016	Huang	
8,910,914 B2	12/2014	Bigeh		2016/0116103 A1	4/2016	Gabrielli	
D761,100 S	7/2016	Divers		2016/0217777 A9	7/2016	Steele	
D801,315 S *	10/2017	Kallas	D14/229	* cited by examiner			

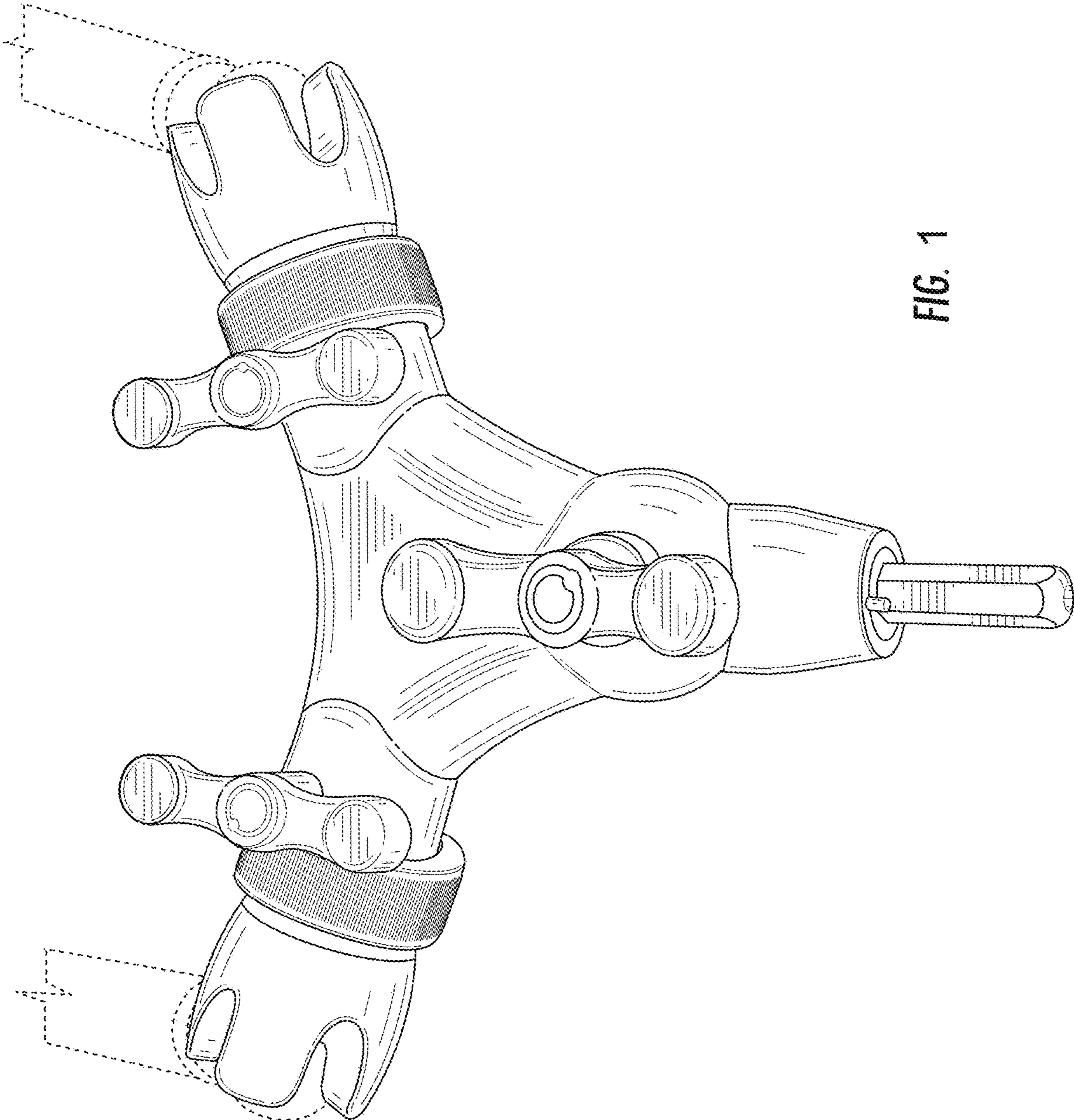


FIG. 1

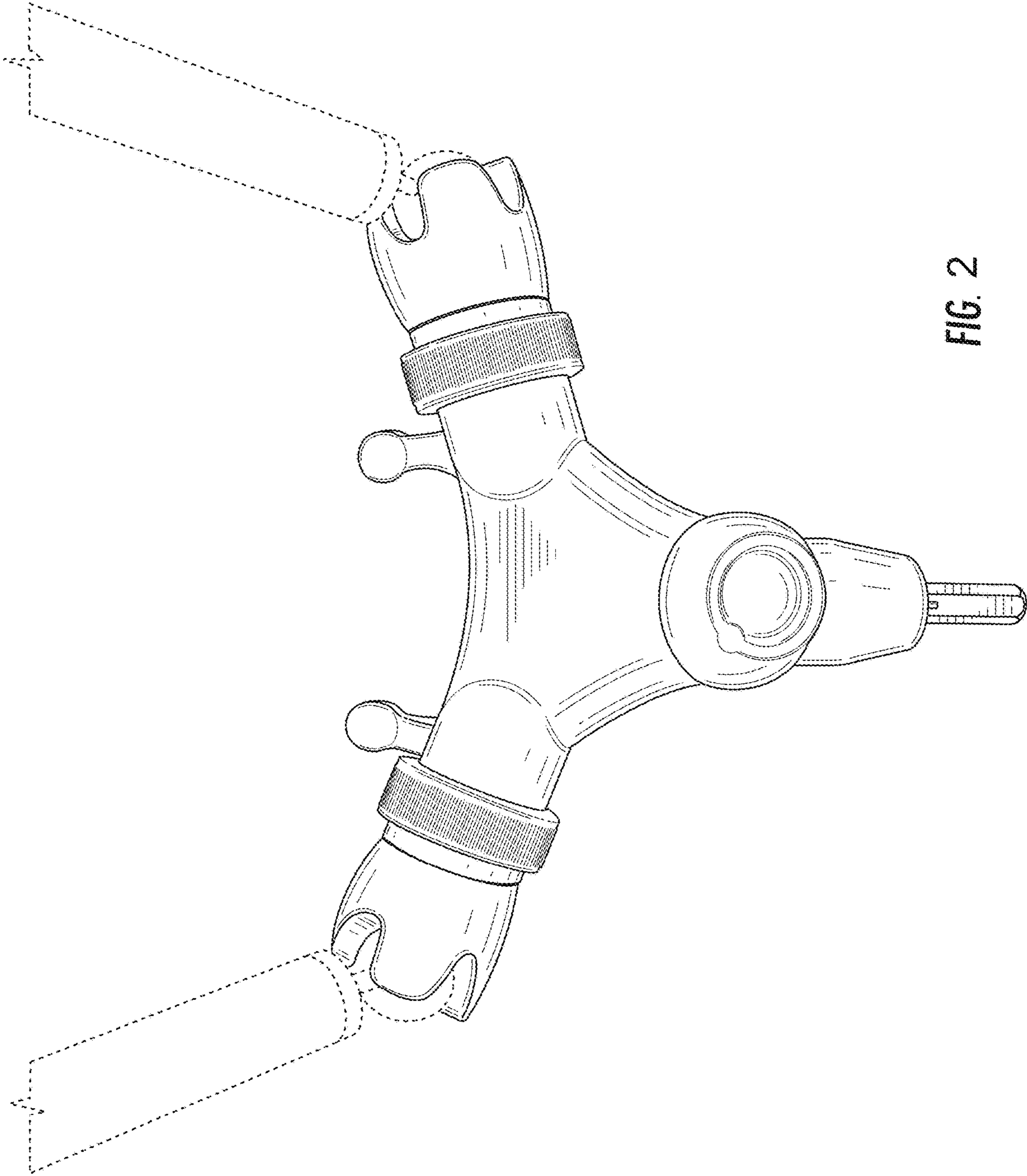


FIG. 2

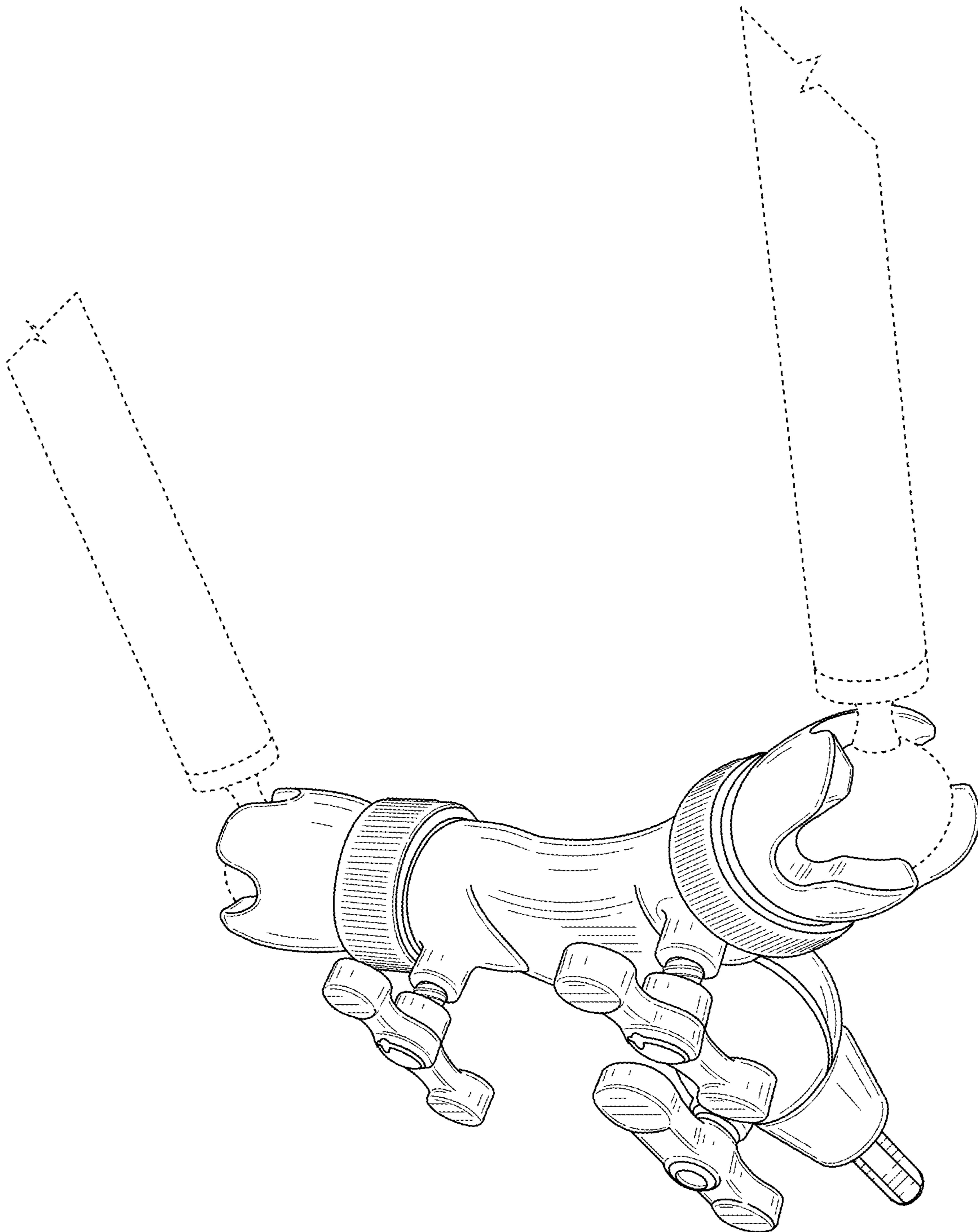


FIG. 3

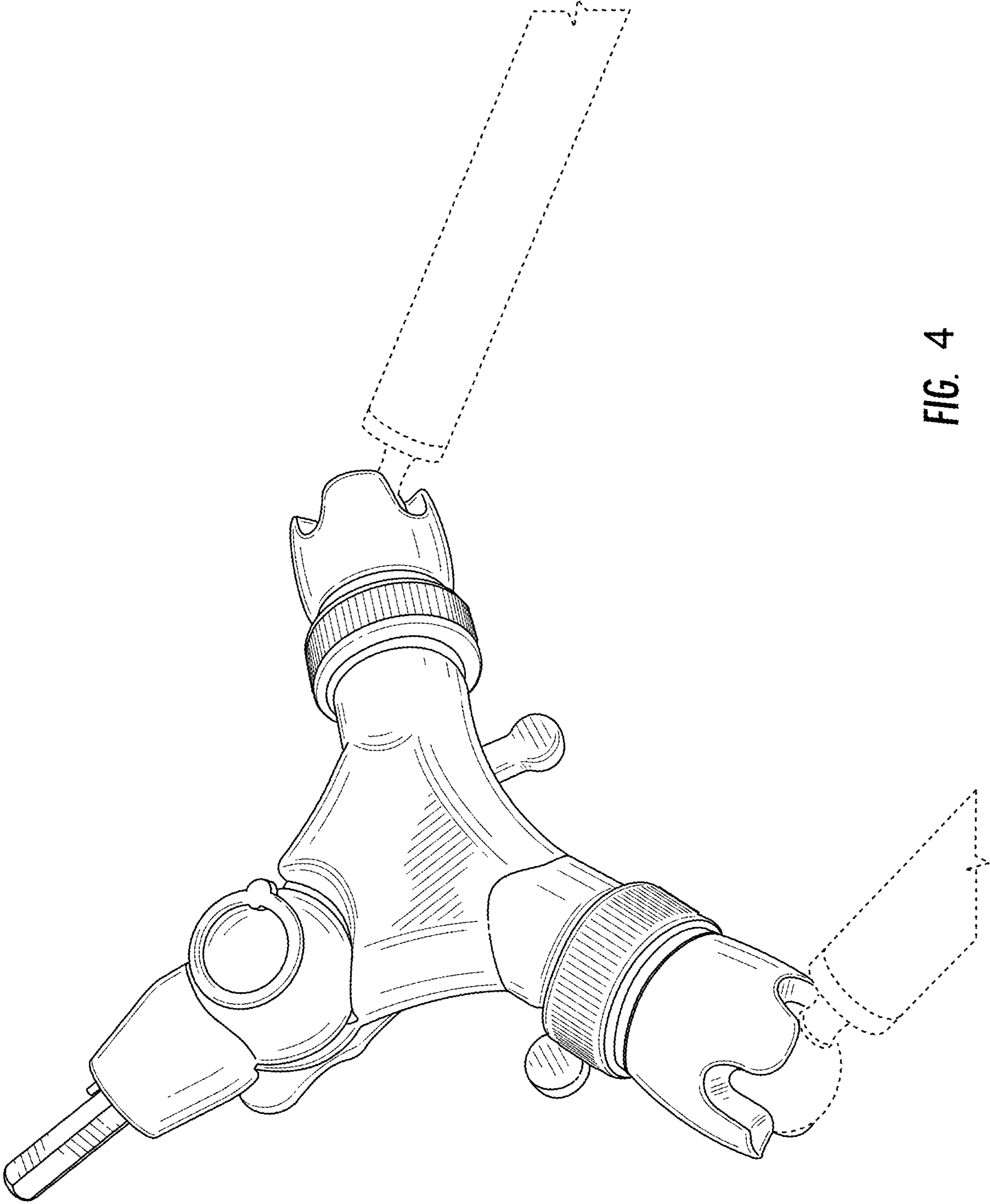


FIG. 4

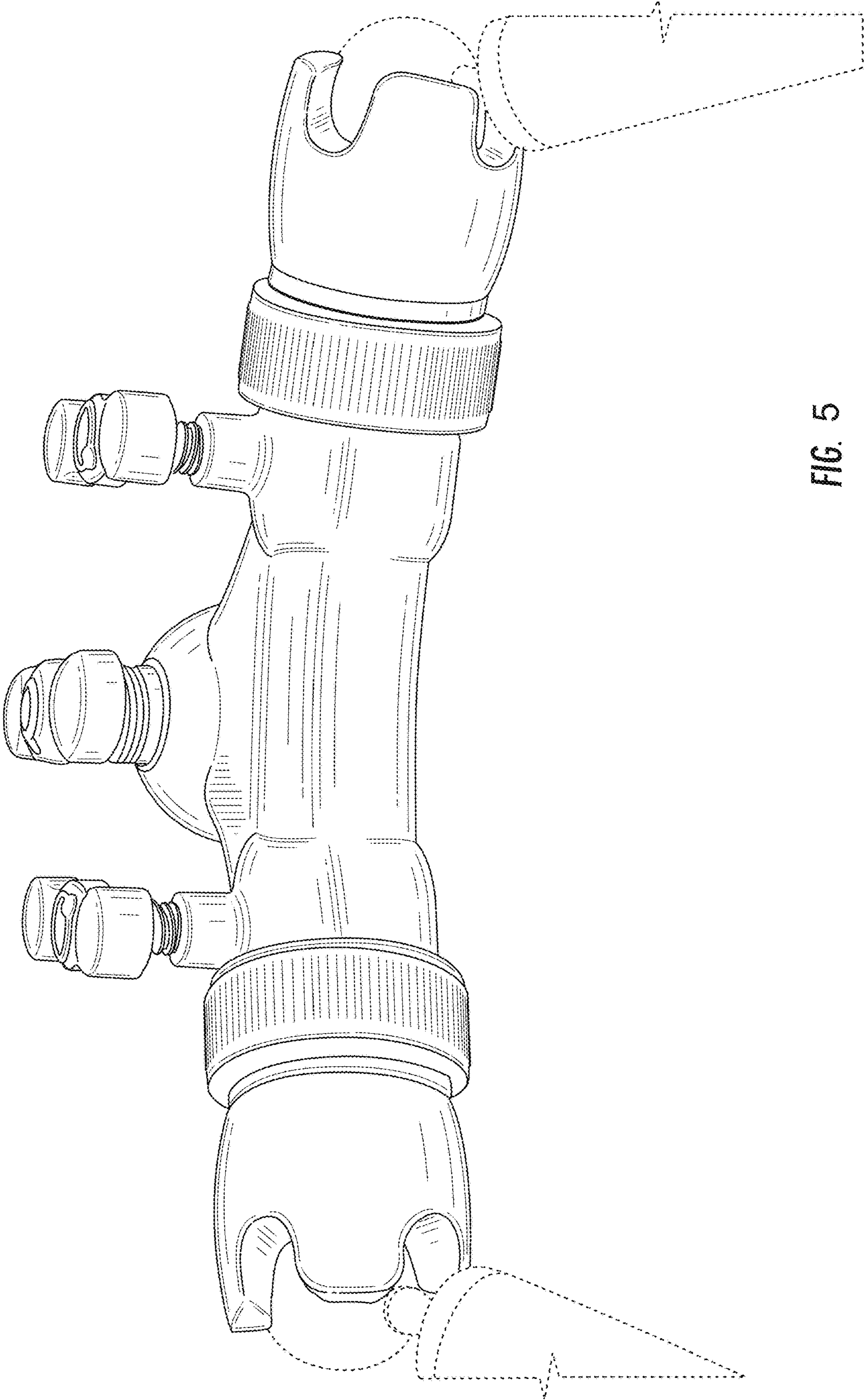


FIG. 5

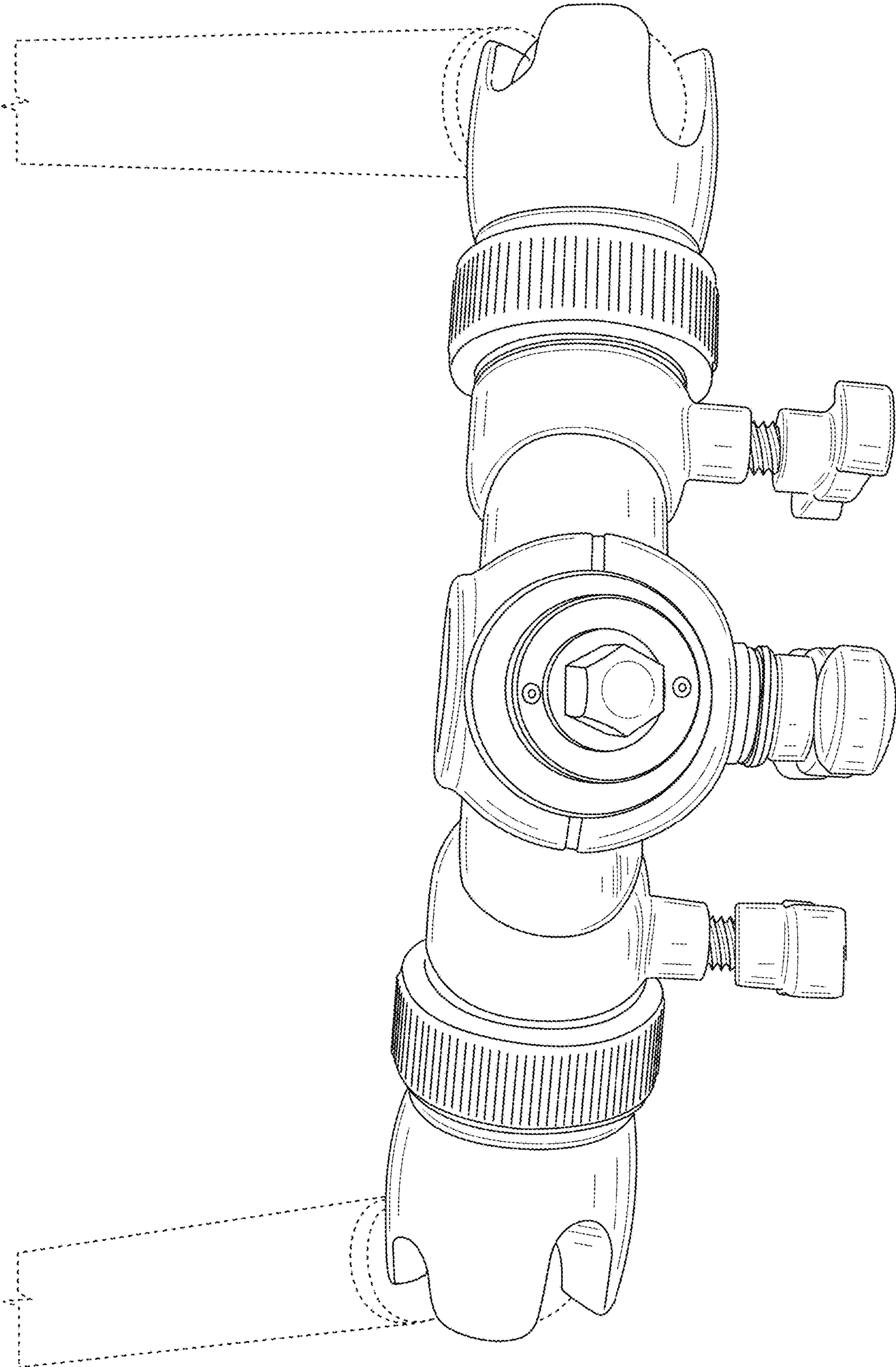


FIG. 6

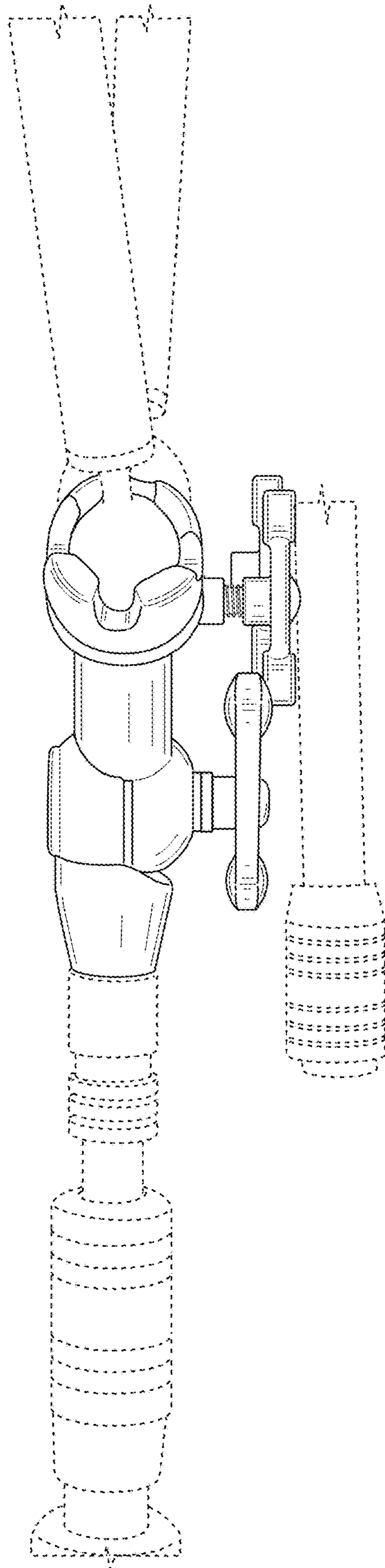


FIG. 7