



US00D890138S

(12) **United States Design Patent**
Peng

(10) **Patent No.:** **US D890,138 S**

(45) **Date of Patent:** **** Jul. 14, 2020**

(54) **EARPHONES**

(71) Applicant: **SHENZHEN QIANHAI PATUOXUN NETWORK AND TECHNOLOGY CO., LTD**, Shenzhen (CN)

(72) Inventor: **Xing Peng**, Shenzhen (CN)

(73) Assignee: **SHENZHEN QIANHAI PATUOXUN NETWORK AND TECHNOLOGY CO., LTD**, Shenzhen (CN)

(**) Term: **15 Years**

(21) Appl. No.: **29/733,165**

(22) Filed: **Apr. 30, 2020**

(51) **LOC (12) Cl.** **14-01**

(52) **U.S. Cl.**
USPC **D14/223**

(58) **Field of Classification Search**
USPC D14/223, 205; 381/380, 381, 322, 330, 381/324, 323; 455/90.3, 575.1, 569.1
CPC H04R 1/10; H04R 25/00; H04R 1/1016; H04R 1/1066; H04R 5/033; H04R 5/0335; H04R 1/1091; H04R 1/1058; H04R 1/105; H04R 1/1083

See application file for complete search history.

(56) **References Cited**

U.S. PATENT DOCUMENTS

D316,550 S *	4/1991	Sogabe	D14/168
D337,589 S *	7/1993	Wada	D14/223
D340,932 S *	11/1993	Yan	D14/249
5,363,444 A *	11/1994	Norris	H04M 1/05 379/430
5,410,608 A *	4/1995	Lucey	H04R 1/083 381/360
6,084,976 A *	7/2000	Lin	H04R 1/1016 181/129
D479,834 S *	9/2003	Salazar	D14/205

D481,377 S *	10/2003	Eguchi	D14/223
D499,397 S *	12/2004	Hlas	D14/223
D512,049 S *	11/2005	Yang	D14/205
D523,846 S *	6/2006	Lee	D14/205
D533,868 S *	12/2006	Koizumi	D14/223
D554,109 S *	10/2007	Ledbetter	D14/223
D554,627 S *	11/2007	Gondo	D14/223
D555,152 S *	11/2007	Wang	D14/223
D556,741 S *	12/2007	Yeo	D14/205
D557,689 S *	12/2007	Huang	D14/223
D566,687 S *	4/2008	Duarte	D14/205
D569,841 S *	5/2008	Chung	D14/205
D572,242 S *	7/2008	Yang	D14/205
D572,247 S *	7/2008	Andre	D14/315

(Continued)

FOREIGN PATENT DOCUMENTS

CN	305567994	*	2/2020
EM	007978838-0001	*	6/2020

Primary Examiner — Paula Allen Greene

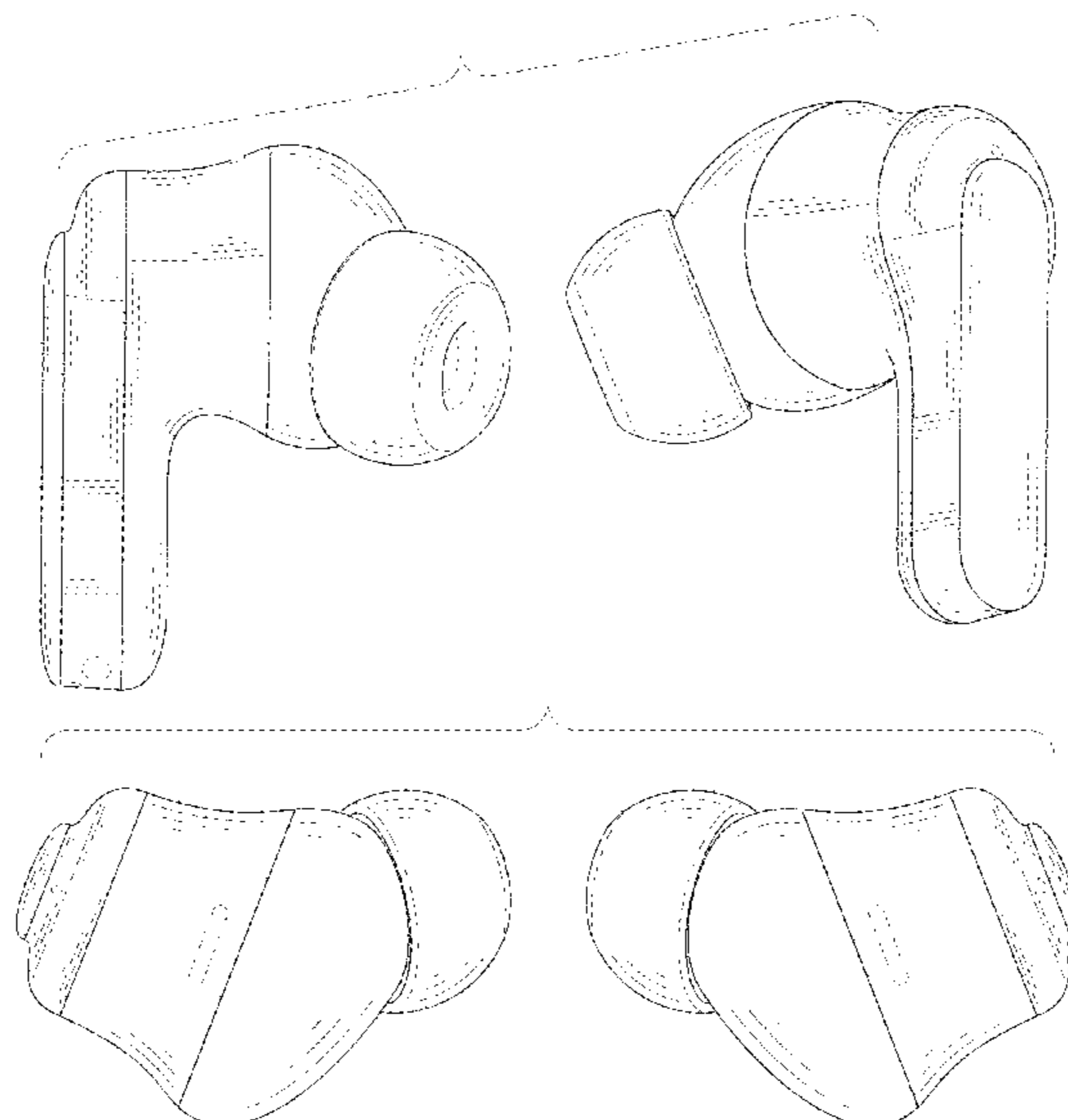
(57) **CLAIM**

The ornamental design for earphones, as shown and described.

DESCRIPTION

FIG. 1 is a perspective view of earphones showing my new design;
 FIG. 2 is another perspective view thereof;
 FIG. 3 is a front elevational view thereof;
 FIG. 4 is a rear elevational view thereof;
 FIG. 5 is a left side elevational view thereof;
 FIG. 6 is a right side elevational view thereof;
 FIG. 7 is a top plan view thereof;
 FIG. 8 is a bottom plan view thereof; and,
 FIG. 9 is a perspective view of the earphones where the earphones are received in a case.
 The broken lines in the drawing depict portions of the earphones that are for illustrative purpose only; the broken lines form no part of the claimed design.

1 Claim, 9 Drawing Sheets



(56)

References Cited

U.S. PATENT DOCUMENTS

D572,703 S *	7/2008	Ledbetter	D14/205	9,197,956 B2 *	11/2015	Iseberg	H04R 1/1016
D573,977 S *	7/2008	Ledbetter	D14/205	D757,682 S *	5/2016	Perez	D14/205
D573,978 S *	7/2008	Ledbetter	D14/205	D760,202 S *	6/2016	Hsieh	D14/223
D575,269 S *	8/2008	Ledbetter	D14/205	D770,412 S *	11/2016	Son	D14/205
D576,154 S *	9/2008	Ledbetter	D14/223	D775,108 S *	12/2016	Hsieh	D14/223
D578,518 S *	10/2008	Ewert	D14/223	D784,962 S *	4/2017	Yang	D14/223
D587,685 S *	3/2009	Densho	D14/206	D801,314 S *	10/2017	Akana	D14/223
D589,493 S *	3/2009	Densho	D14/206	D820,809 S *	6/2018	Akana	D14/205
D589,498 S *	3/2009	Komiyama	D14/223	D822,009 S *	7/2018	Matoba	D14/223
D590,371 S *	4/2009	Leinvuo	D14/205	D830,336 S *	10/2018	Cai	D14/205
D593,537 S *	6/2009	Arimoto	D14/205	D831,619 S *	10/2018	Matoba	D14/223
D599,778 S *	9/2009	Ando	D14/205	D832,824 S *	11/2018	Kim	D14/223
D623,171 S *	9/2010	Chen	D14/223	D847,125 S *	4/2019	Akana	D14/223
D641,738 S *	7/2011	Perez	D14/223	D847,794 S *	5/2019	Guo	D14/223
D652,823 S *	1/2012	Chen	H04R 25/00 D14/223	D848,979 S *	5/2019	Kim	D14/223
D657,780 S *	4/2012	Dahlberg	D14/223	D848,980 S *	5/2019	Kim	D14/223
D660,290 S *	5/2012	Weedon	D14/223	D848,983 S *	5/2019	Kim	D14/223
D660,292 S *	5/2012	Rautiainen	D14/223	D861,647 S *	10/2019	Chen	D14/223
D662,493 S *	6/2012	Chen	D14/223	D863,260 S *	10/2019	Zheng	
D666,581 S *	9/2012	Perez	D14/223	D864,165 S *	10/2019	Roberts	D14/223
D671,531 S *	11/2012	Kim	D14/223	D864,919 S *	10/2019	Bonahoom et al.	
D681,015 S *	4/2013	Akana	H04R 1/1016 D14/223	D869,445 S *	12/2019	Hu	D14/223
8,422,717 B2 *	4/2013	Lin	H04R 1/1091 181/129	D872,711 S *	1/2020	Hu	D14/223
D695,721 S *	12/2013	Thompson	D14/223	D878,337 S *	3/2020	Yang	D14/223
8,630,425 B2 *	1/2014	Chang	H04R 1/1041 381/71.1	D883,260 S *	5/2020	Hu	D14/223
8,712,087 B2 *	4/2014	Ozawa	H04R 1/345 181/130	D883,960 S *	5/2020	Du	D14/223
D707,206 S *	6/2014	Akana	H04R 1/10 D14/223	2012/0237074 A1 *	9/2012	Aase	H04R 1/1075 381/380
D711,857 S *	8/2014	Burgett	D14/223	2012/0275635 A1 *	11/2012	Chen	H04R 1/1075 381/380
D718,284 S *	11/2014	Shibusawa	D14/223	2013/0004011 A1 *	1/2013	Hayashida	H04R 1/345 381/380
D730,876 S *	6/2015	Dahlberg	D14/223	2013/0243595 A1 *	9/2013	Falkenberg	F03D 15/20 416/25
D732,008 S *	6/2015	Akana	H04R 1/10 D14/223	2013/0343585 A1 *	12/2013	Bennett	H04R 25/554 381/315
D733,101 S *	6/2015	Pi	D14/223	2015/0382100 A1 *	12/2015	Azmi	H04R 25/554 381/380
D733,689 S *	7/2015	Narita	D14/223	2016/0014498 A1 *	1/2016	Paschel	H04R 1/1016 381/380
D738,864 S *	9/2015	Lee	D14/223	2017/0164087 A1 *	6/2017	Kurtz	H04R 1/1066
D741,287 S *	10/2015	Harata	D14/205	2018/0167713 A1 *	6/2018	Chou	H04R 1/1075
				2020/0068283 A1 *	2/2020	Chou	H04R 1/1025

* cited by examiner

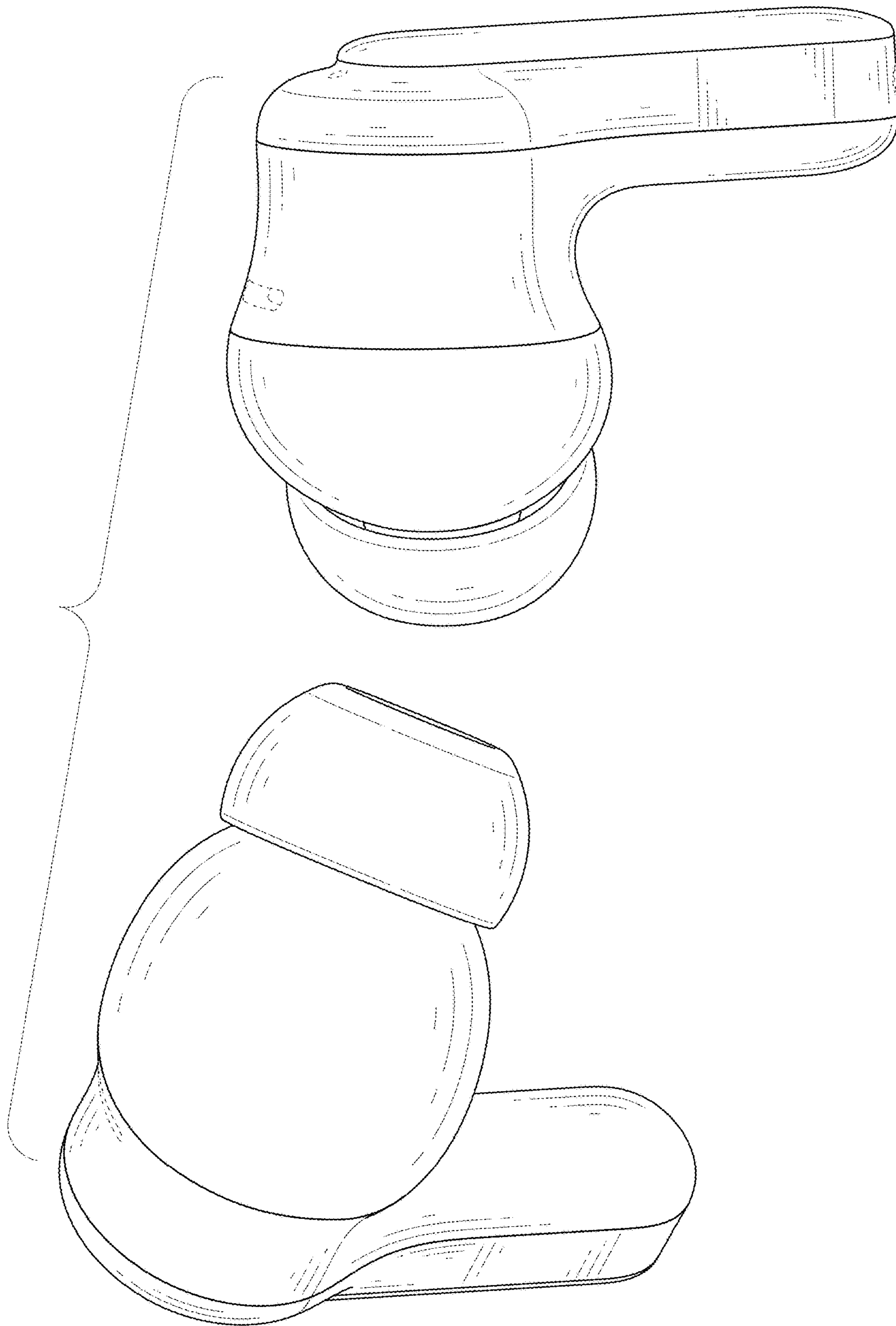


FIG. 1

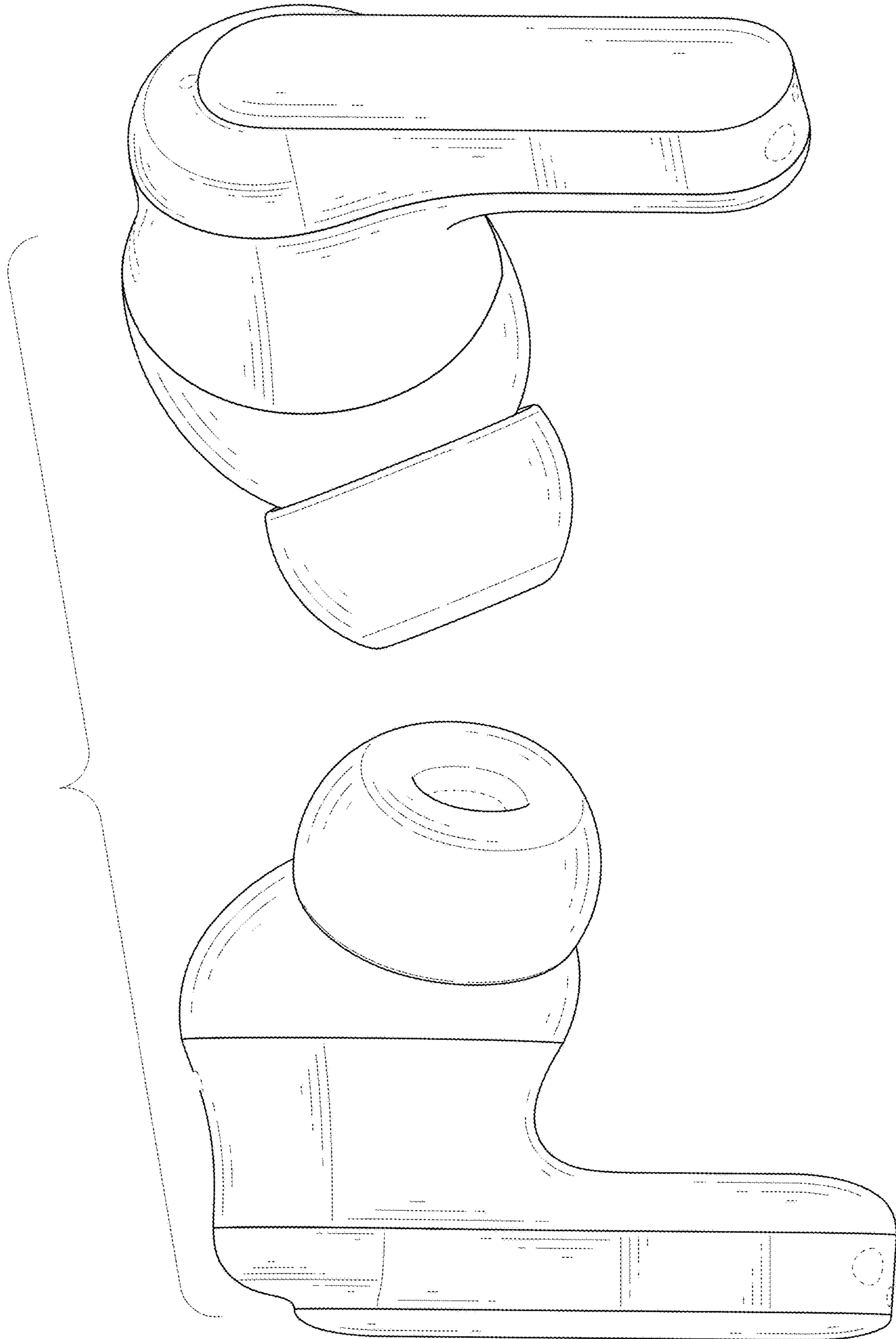


FIG. 2

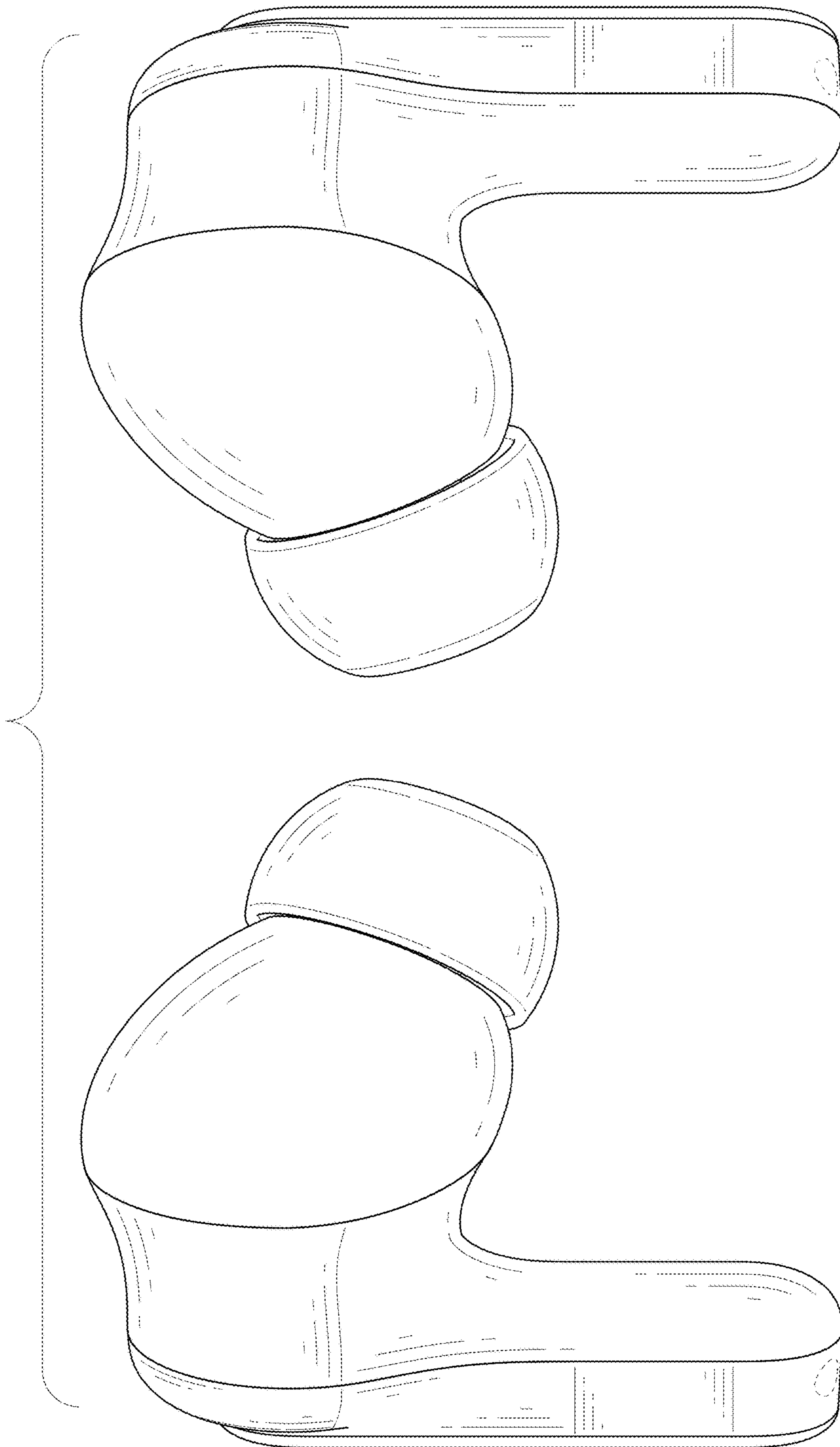


FIG. 3

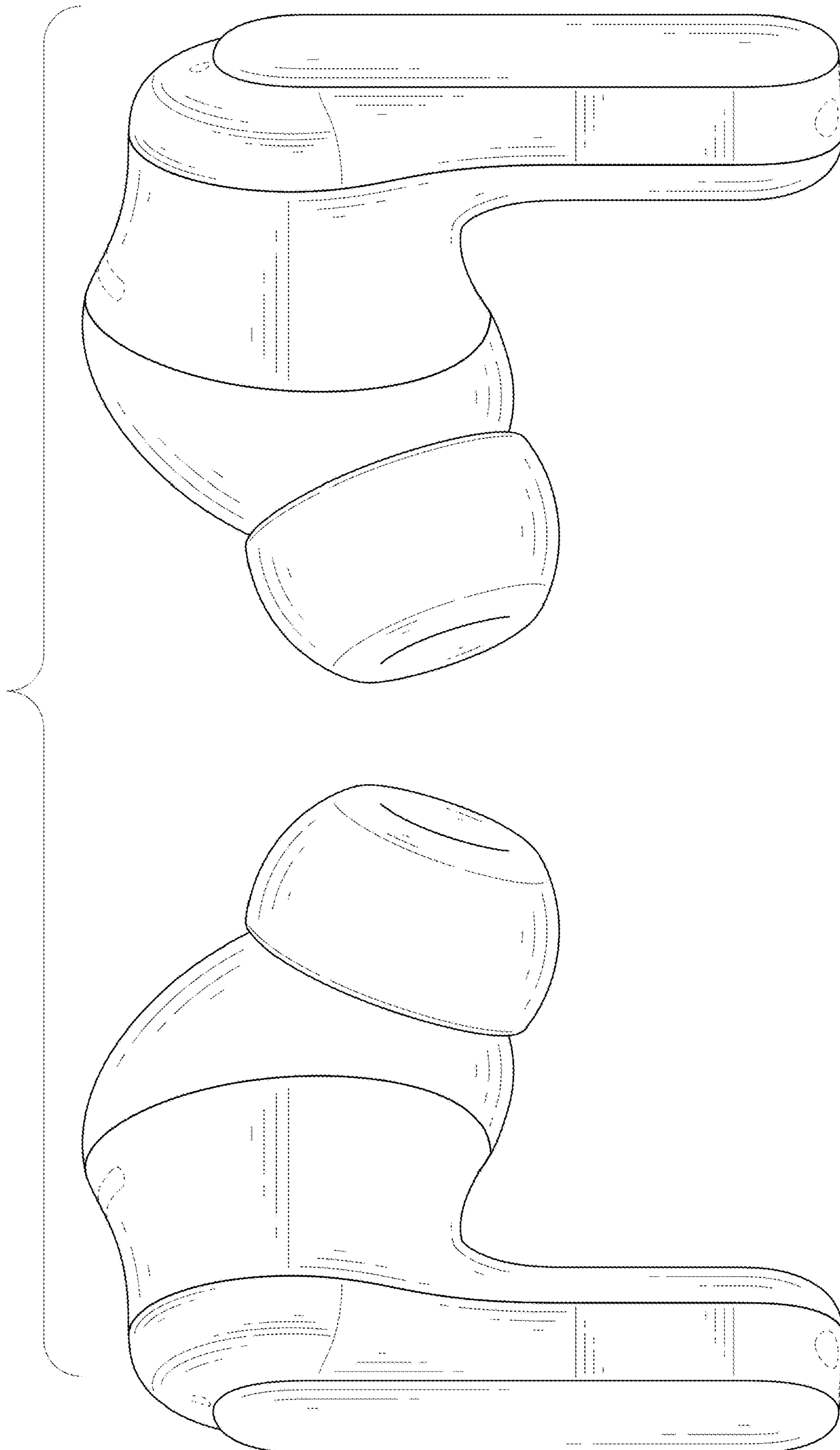


FIG. 4

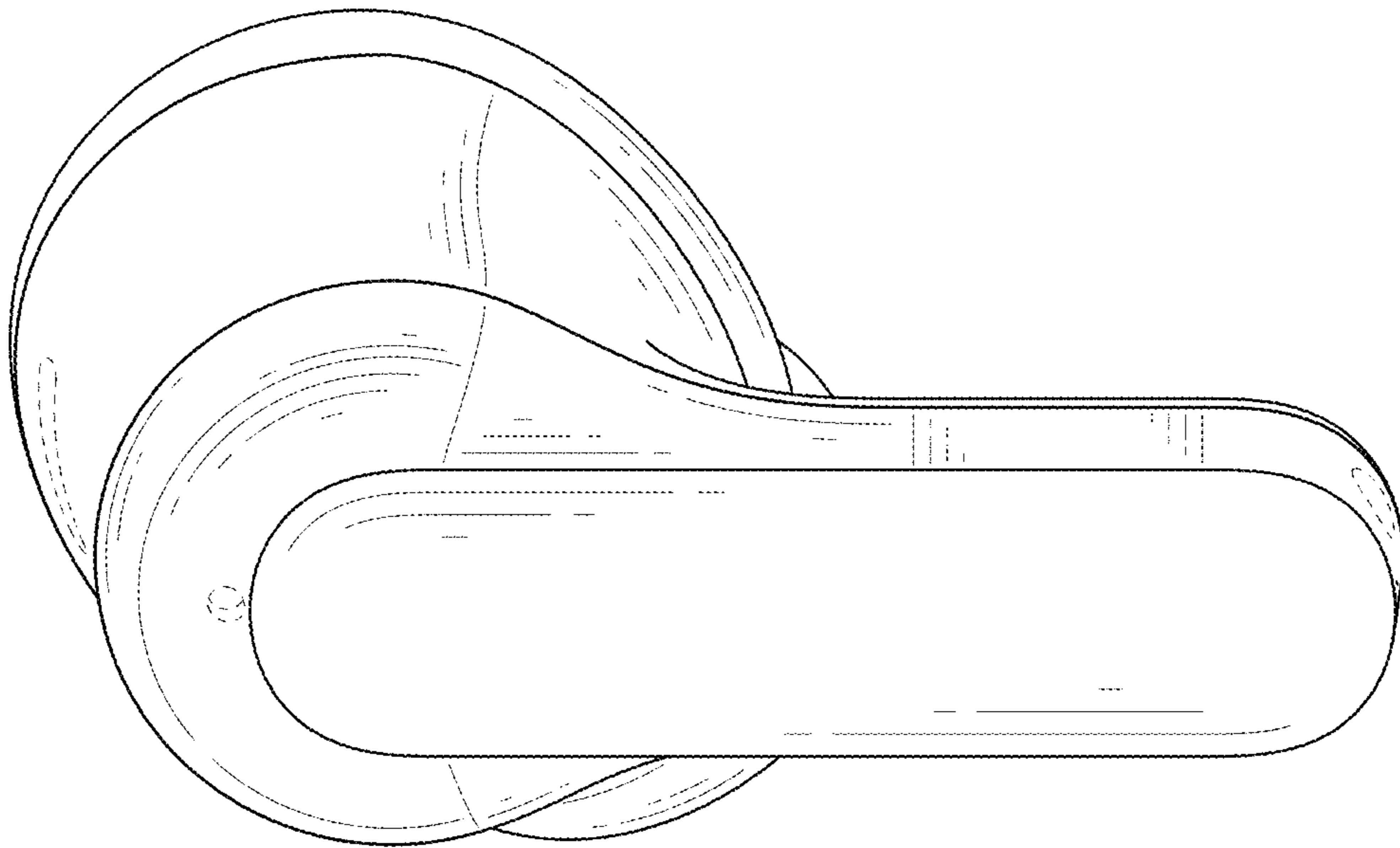


FIG. 5

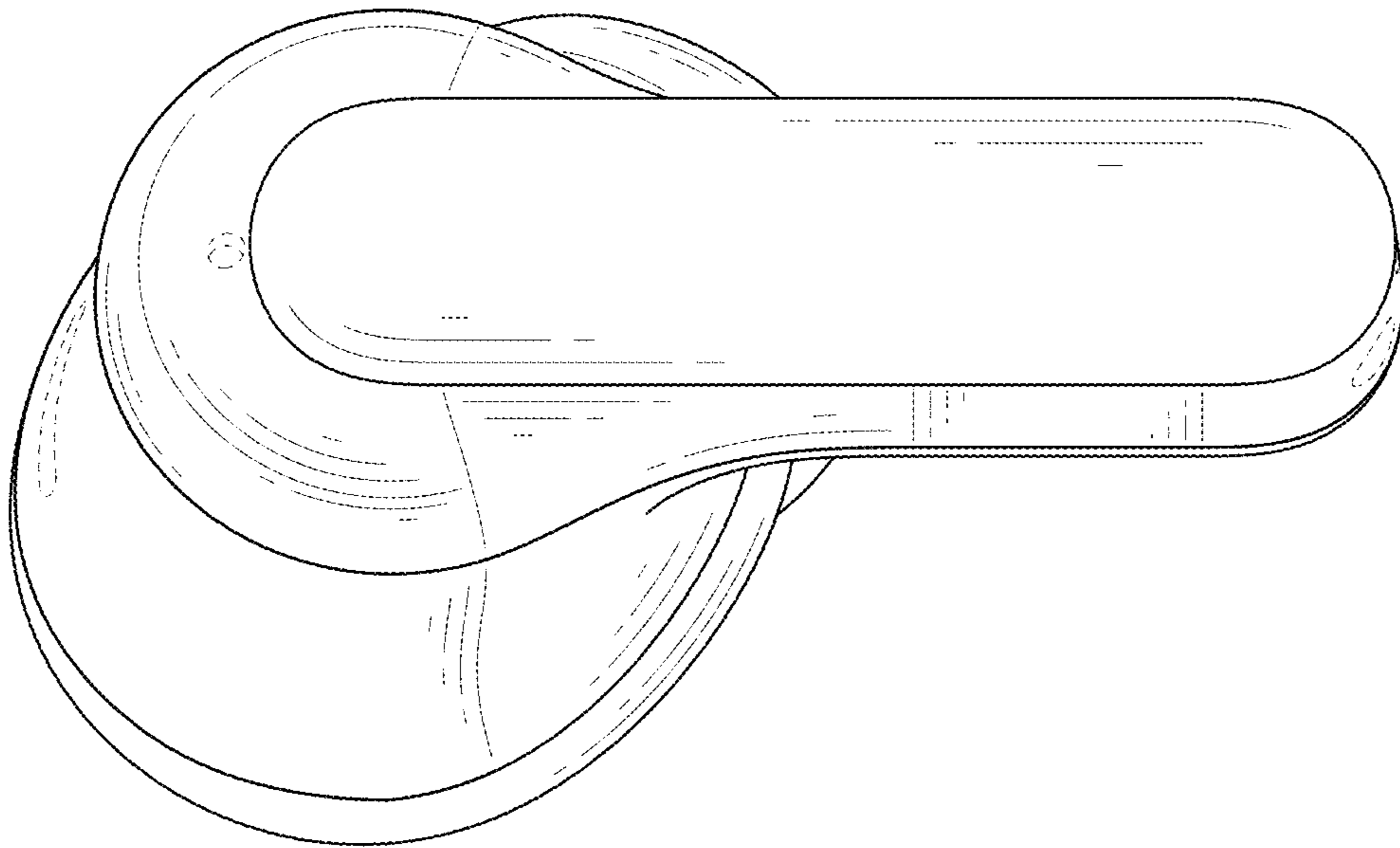


FIG. 6

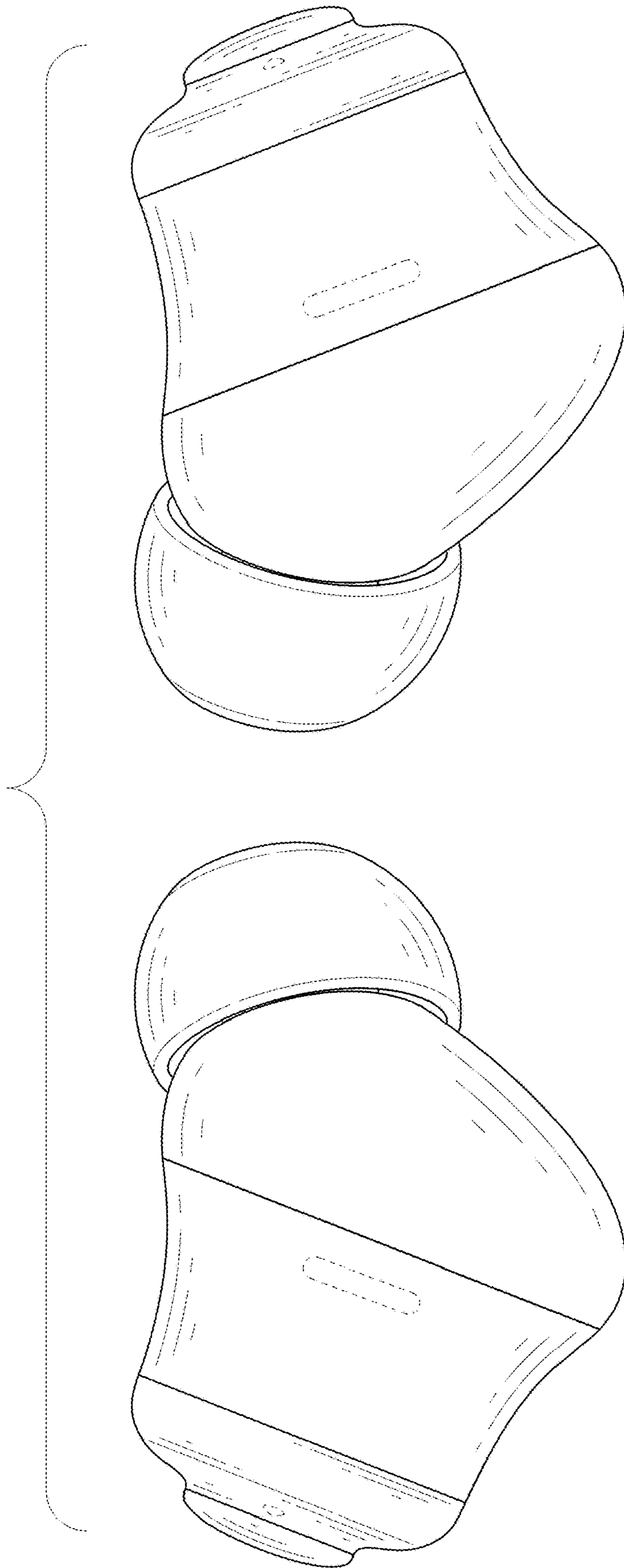


FIG. 7

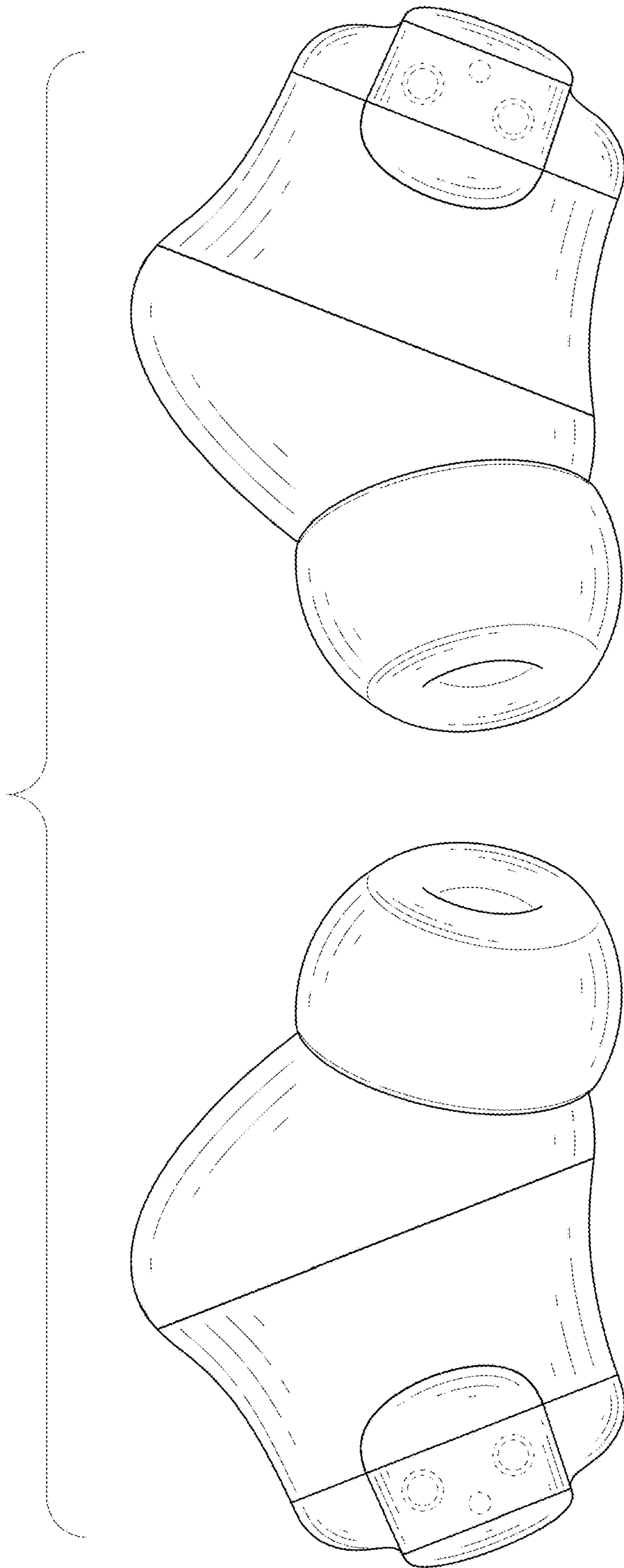


FIG. 8

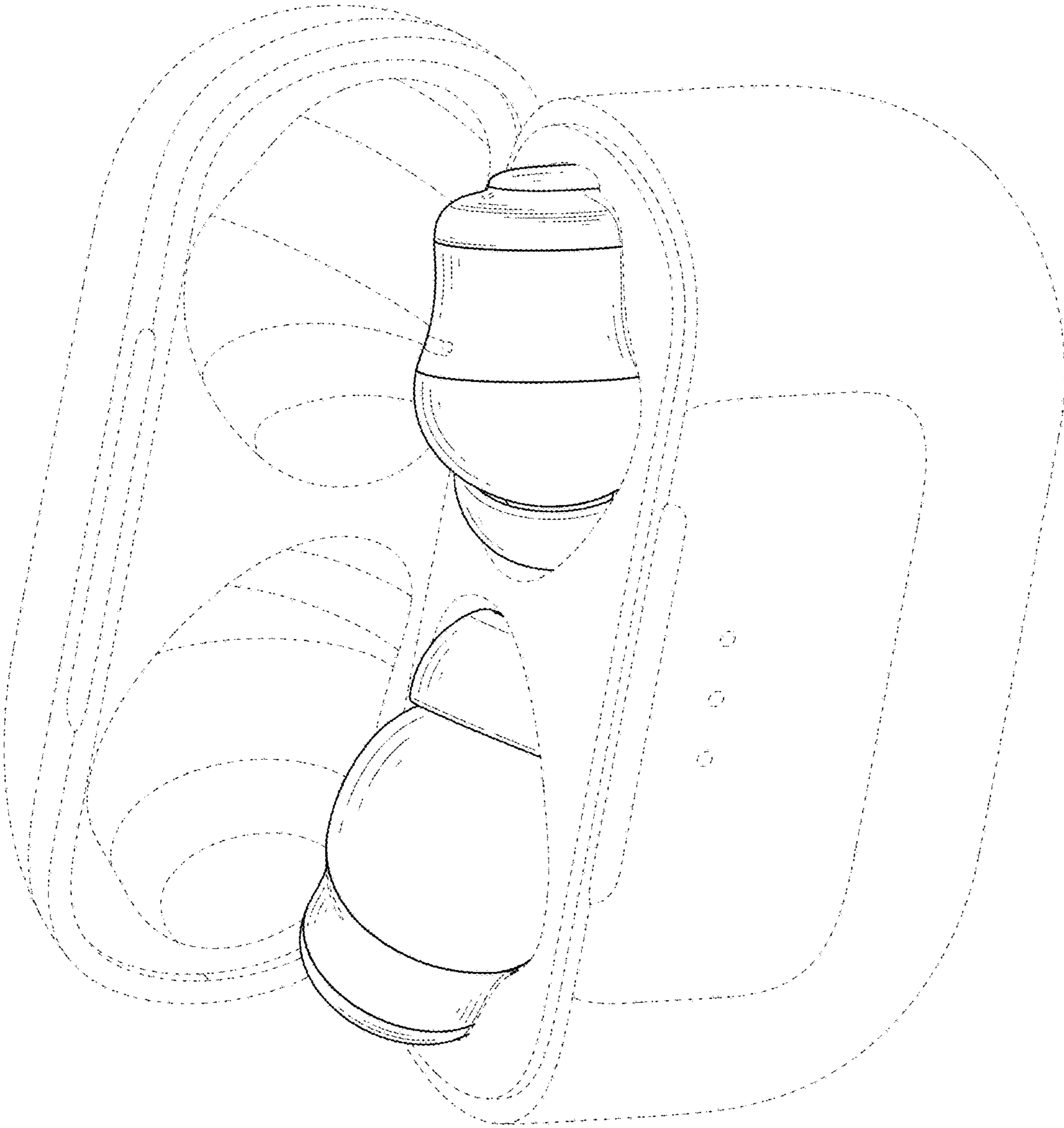


FIG. 9