



US00D890137S

(12) **United States Design Patent**  
**Ma**

(10) **Patent No.:** **US D890,137 S**  
(45) **Date of Patent:** **\*\* Jul. 14, 2020**

(54) **EARPHONES**

(71) Applicant: **Shaowu Ma**, Shenzhen (CN)

(72) Inventor: **Shaowu Ma**, Shenzhen (CN)

(\*\*) Term: **15 Years**

(21) Appl. No.: **29/730,868**

(22) Filed: **Apr. 9, 2020**

(30) **Foreign Application Priority Data**

Mar. 9, 2020 (CN) ..... 2020 3 0075297

(51) **LOC (12) Cl.** ..... **14-01**

(52) **U.S. Cl.**  
USPC ..... **D14/223**

(58) **Field of Classification Search**  
USPC ..... D14/223, 205; D24/174; 381/380, 381,  
381/374, 375; 455/90.3, 575.1, 569.1  
CPC ..... H04R 1/10; H04R 1/1016; H04R 1/1066;  
H04R 5/033; H04R 5/0335; H04R 25/00;  
H04R 1/105  
See application file for complete search history.

(56) **References Cited**

**U.S. PATENT DOCUMENTS**

D375,959 S	*	11/1996	Davis	.....	D14/206
D447,743 S	*	9/2001	Ma	.....	D14/223
D460,436 S	*	7/2002	Bjorklund	.....	D14/205
D469,422 S	*	1/2003	Nguyen	.....	D14/205
D470,129 S	*	2/2003	Hlas	.....	D14/205
D474,178 S	*	5/2003	Eroma	.....	D14/205
D498,227 S	*	11/2004	Dyer	.....	D14/205
D501,196 S	*	1/2005	Dyer	.....	D14/205
D504,672 S	*	5/2005	Hirano	.....	D14/205
D510,085 S	*	9/2005	Suzuki	.....	D14/223
D515,069 S	*	2/2006	Naito	.....	D14/205
D518,816 S	*	4/2006	Naito	.....	D14/205
D542,267 S	*	5/2007	Cha	.....	D14/206
D543,968 S	*	6/2007	Wong	.....	D14/205

D581,396 S	*	11/2008	Wikel	.....	D14/206
D582,897 S	*	12/2008	Christopher	.....	D14/223
D593,075 S	*	5/2009	Williams	.....	D14/223
D595,698 S	*	7/2009	Guccione	.....	D14/223
D597,084 S	*	7/2009	Gondo	.....	D14/223
D603,378 S	*	11/2009	Paradise	.....	D14/223
D603,847 S	*	11/2009	Chung	.....	D14/223
D604,722 S	*	11/2009	Mistry	.....	D14/223
D617,778 S	*	6/2010	Birger	.....	D14/223
D619,998 S	*	7/2010	Birger	.....	D14/223
D625,297 S	*	10/2010	Tseng	.....	D14/223
D629,397 S	*	12/2010	Hensen	.....	H04R 5/033 D14/223
D631,470 S	*	1/2011	Yoneyama	.....	D14/223
D633,899 S	*	3/2011	Zheng	.....	D14/223

(Continued)

**FOREIGN PATENT DOCUMENTS**

EM	007451687-0001	*	12/2019
GB	2104992	*	3/2001

*Primary Examiner* — Paula Allen Greene

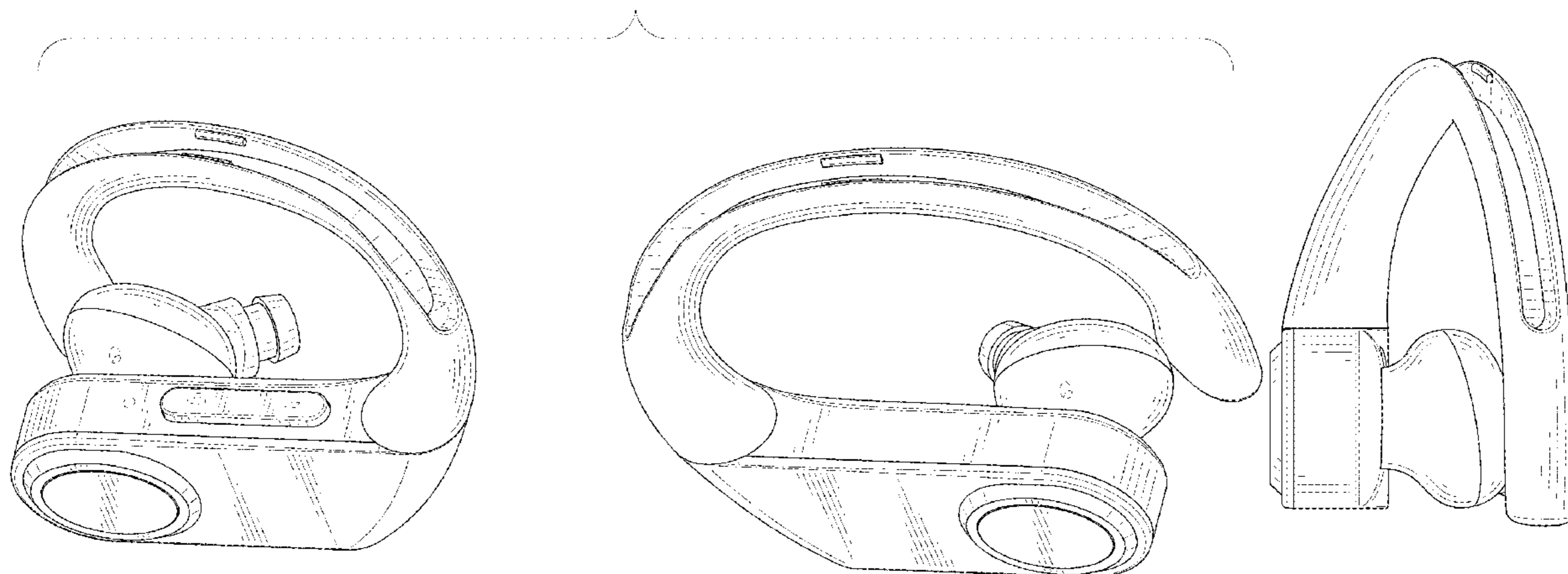
(57) **CLAIM**

The ornamental design for earphones, as shown and described.

**DESCRIPTION**

FIG. 1 is a perspective view of earphones showing my new design;  
FIG. 2 is another perspective view thereof;  
FIG. 3 is a front elevational view thereof;  
FIG. 4 is a rear elevational view thereof;  
FIG. 5 is a left side elevational view thereof;  
FIG. 6 is a right side elevational view thereof;  
FIG. 7 is a top plan view thereof; and,  
FIG. 8 is a bottom plan view thereof.  
The broken lines are directed to environment that is for illustrative purposes only; the broken lines form no part of the claimed design.

**1 Claim, 8 Drawing Sheets**



(56)

References Cited

U.S. PATENT DOCUMENTS

D635,960 S \* 4/2011 Gondo ..... D14/223  
 D639,787 S \* 6/2011 Quek ..... D14/223  
 D641,884 S \* 7/2011 Laperle ..... D24/174  
 D664,125 S \* 7/2012 Koch ..... D14/223  
 D664,950 S \* 8/2012 Rye ..... D14/223  
 D685,768 S \* 7/2013 Mogili ..... D14/223  
 D691,580 S \* 10/2013 Cho ..... D14/205  
 D695,275 S \* 12/2013 Chee ..... D14/223  
 D710,333 S \* 8/2014 Davies ..... H04R 1/10  
 D712,382 S \* 9/2014 Brunner ..... D14/223  
 D713,385 S \* 9/2014 Burgett ..... D14/223  
 D718,283 S \* 11/2014 Thompson ..... D14/223  
 D725,637 S \* 3/2015 Nakajima ..... D14/223  
 D743,945 S \* 11/2015 Brunner ..... D14/223  
 D743,946 S \* 11/2015 Brunner ..... D14/223  
 D761,770 S \* 7/2016 Kanou ..... D14/206  
 D775,610 S \* 1/2017 Nakajima ..... D14/223  
 D780,721 S \* 3/2017 Brunner ..... D14/223  
 D782,996 S \* 4/2017 Zhu ..... D14/205  
 D796,490 S \* 9/2017 Lian ..... D14/217  
 D801,952 S \* 11/2017 Lian ..... D14/223  
 D806,684 S \* 1/2018 Tsai ..... D14/223  
 D807,331 S \* 1/2018 Morimoto ..... D14/223  
 D810,053 S \* 2/2018 Otani ..... D14/223

D821,364 S \* 6/2018 Brunner ..... D14/223  
 D834,003 S \* 11/2018 Maeda ..... D14/223  
 D838,692 S \* 1/2019 Fu ..... D14/223  
 D842,836 S \* 3/2019 Ma ..... D14/205  
 D843,344 S \* 3/2019 Zhu ..... D14/205  
 D848,978 S \* 5/2019 Min ..... D14/223  
 D852,784 S \* 7/2019 Cramer ..... G06F 3/165  
 D853,360 S \* 7/2019 Kawabata ..... D14/223  
 D863,265 S \* 10/2019 Hu ..... D14/223  
 D869,435 S \* 12/2019 Sanhua ..... D14/205  
 D871,375 S \* 12/2019 Meyer ..... D14/223  
 D873,246 S 1/2020 Zhu ..... D14/223  
 D873,789 S 1/2020 Hu ..... D14/205  
 D878,338 S \* 3/2020 Yang ..... D14/223  
 D881,850 S \* 4/2020 Zhang ..... D14/223  
 D883,259 S \* 5/2020 Ma ..... D14/223  
 D885,370 S \* 5/2020 Hu ..... D14/223  
 2003/0044038 A1 \* 3/2003 Shirata ..... H04R 1/105  
 381/381  
 2010/0166208 A1 \* 7/2010 Kato ..... H04R 5/0335  
 381/74  
 2013/0010997 A1 \* 1/2013 Tanaka ..... A61B 5/6817  
 381/380  
 2019/0069072 A1 \* 2/2019 Ansari ..... H04R 1/1016  
 2020/0077174 A1 \* 3/2020 Solis ..... H04R 1/105

\* cited by examiner

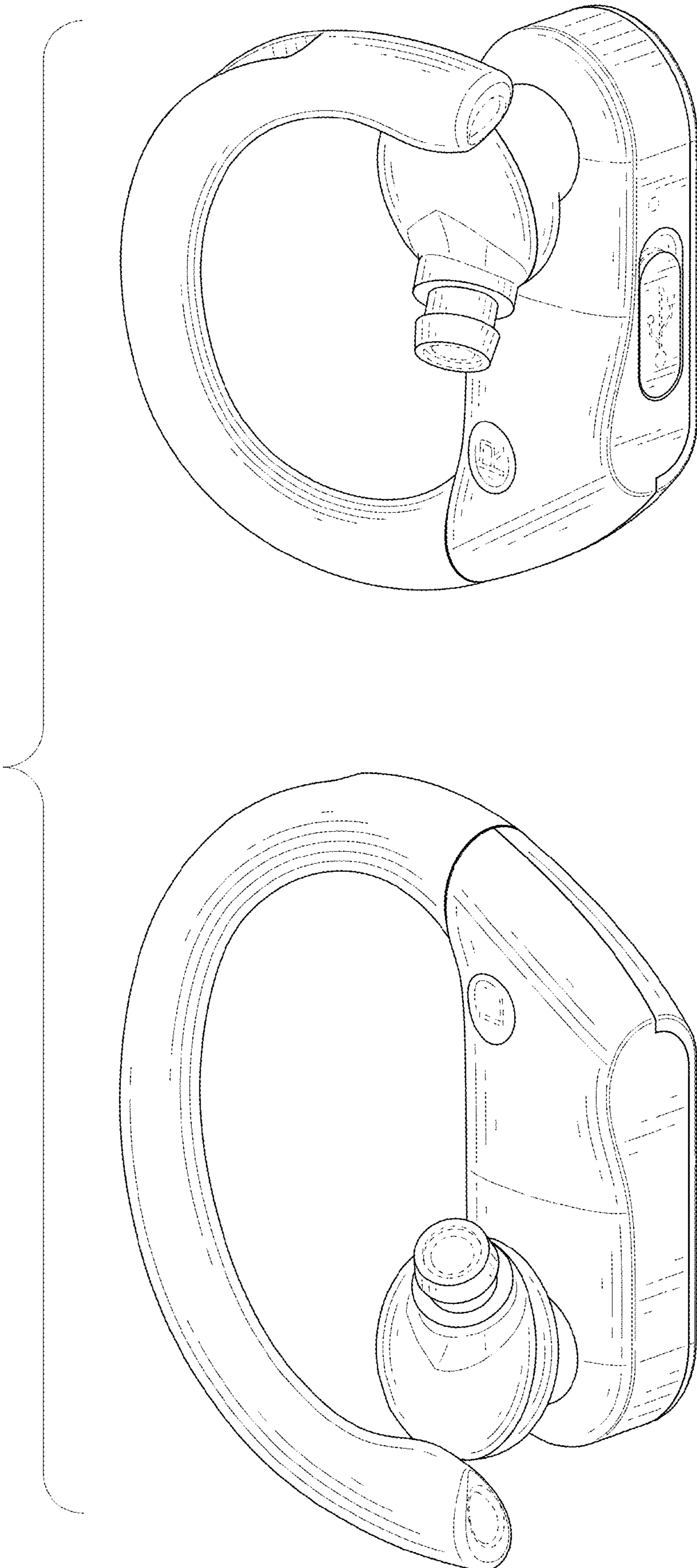


FIG. 1

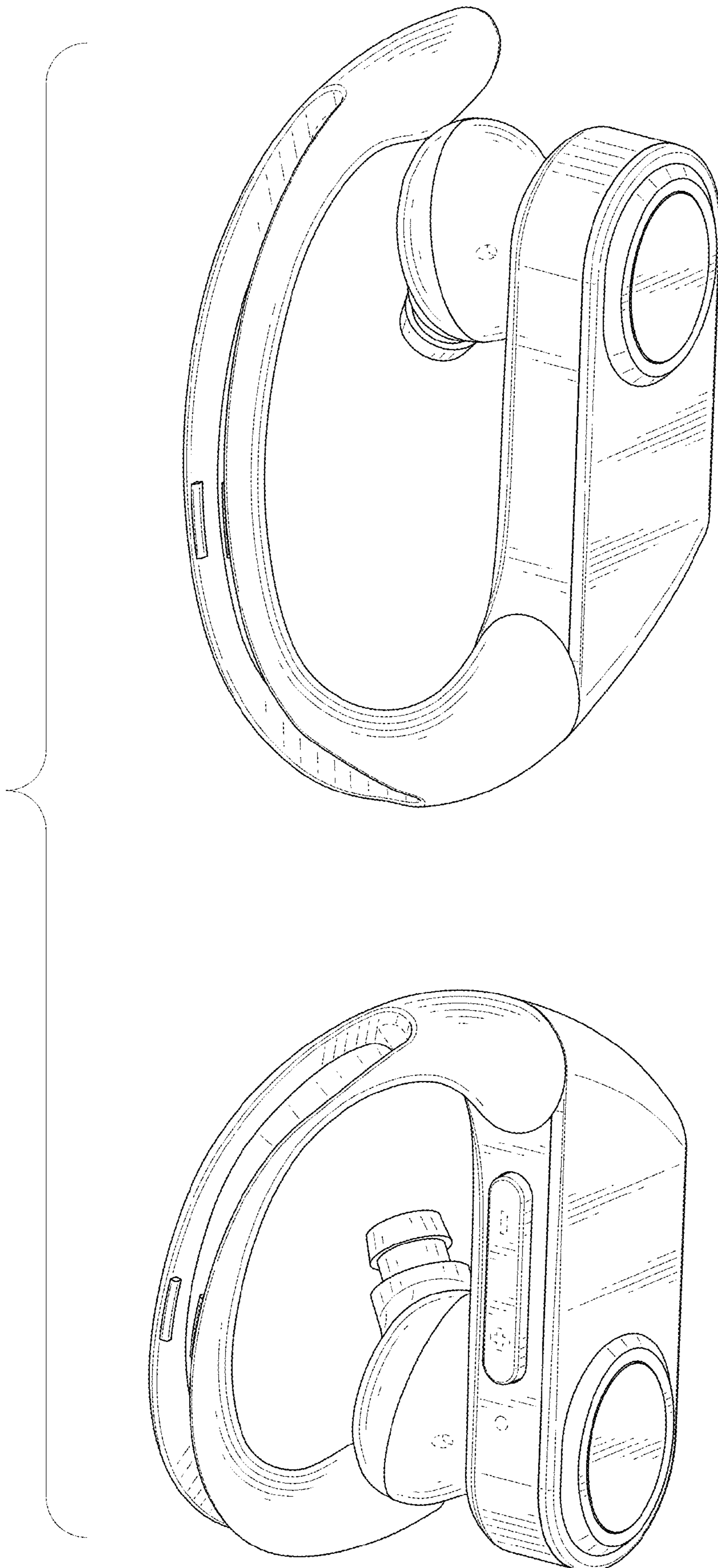


FIG. 2

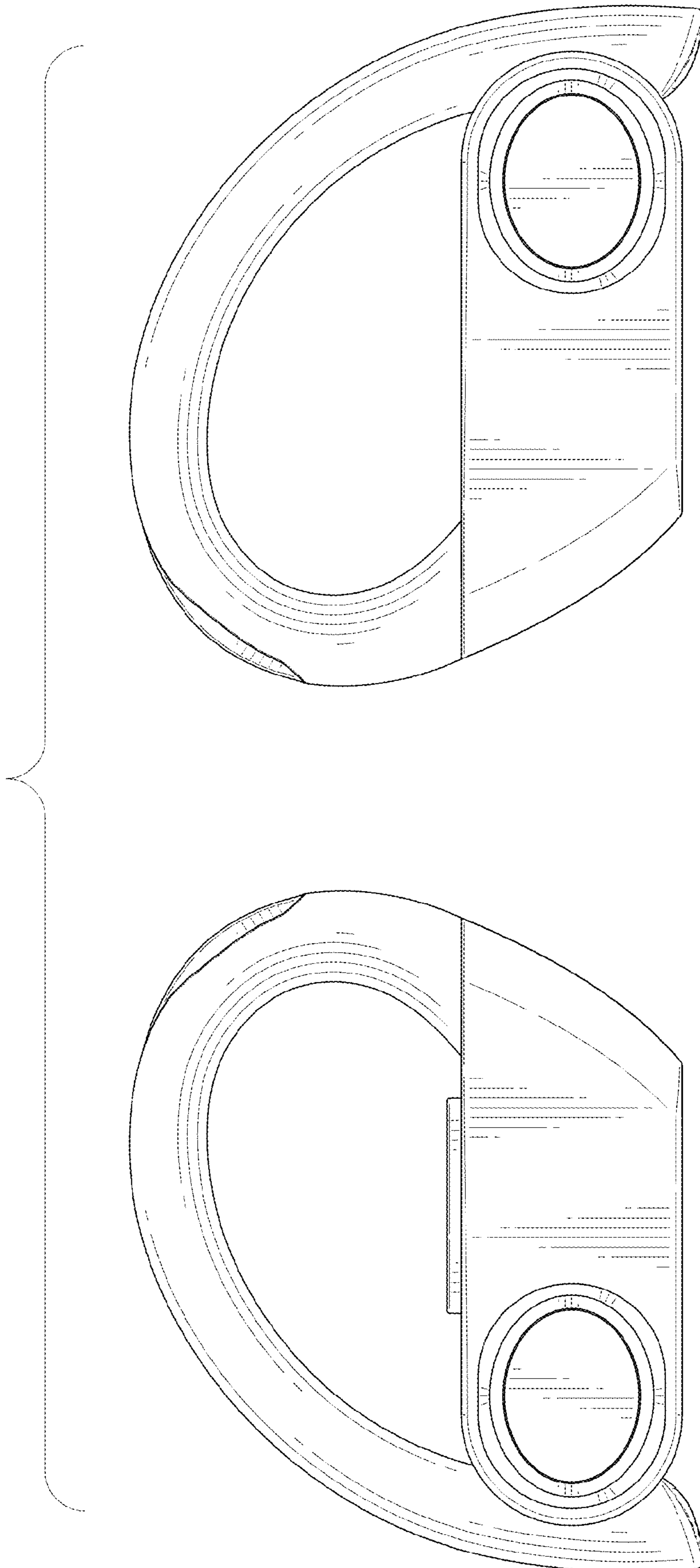


FIG. 3

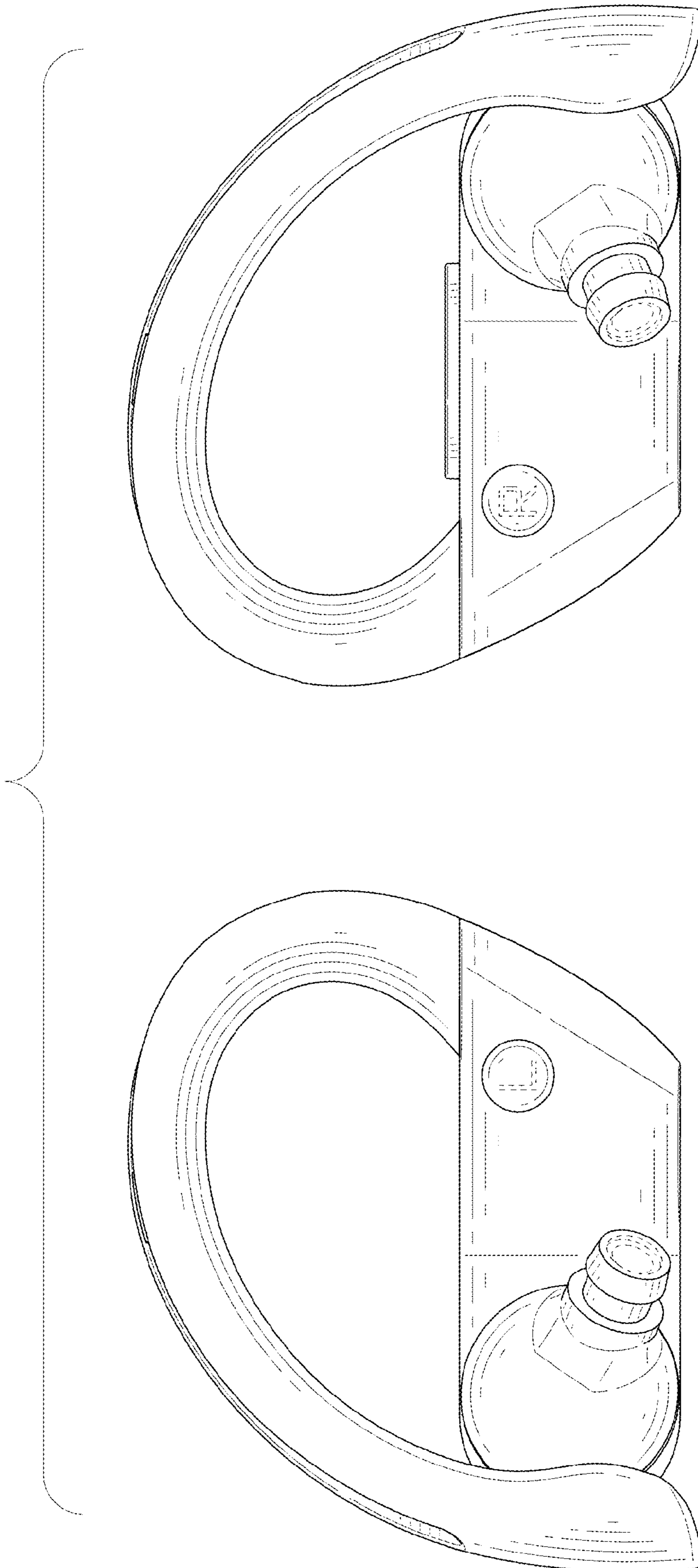


FIG. 4

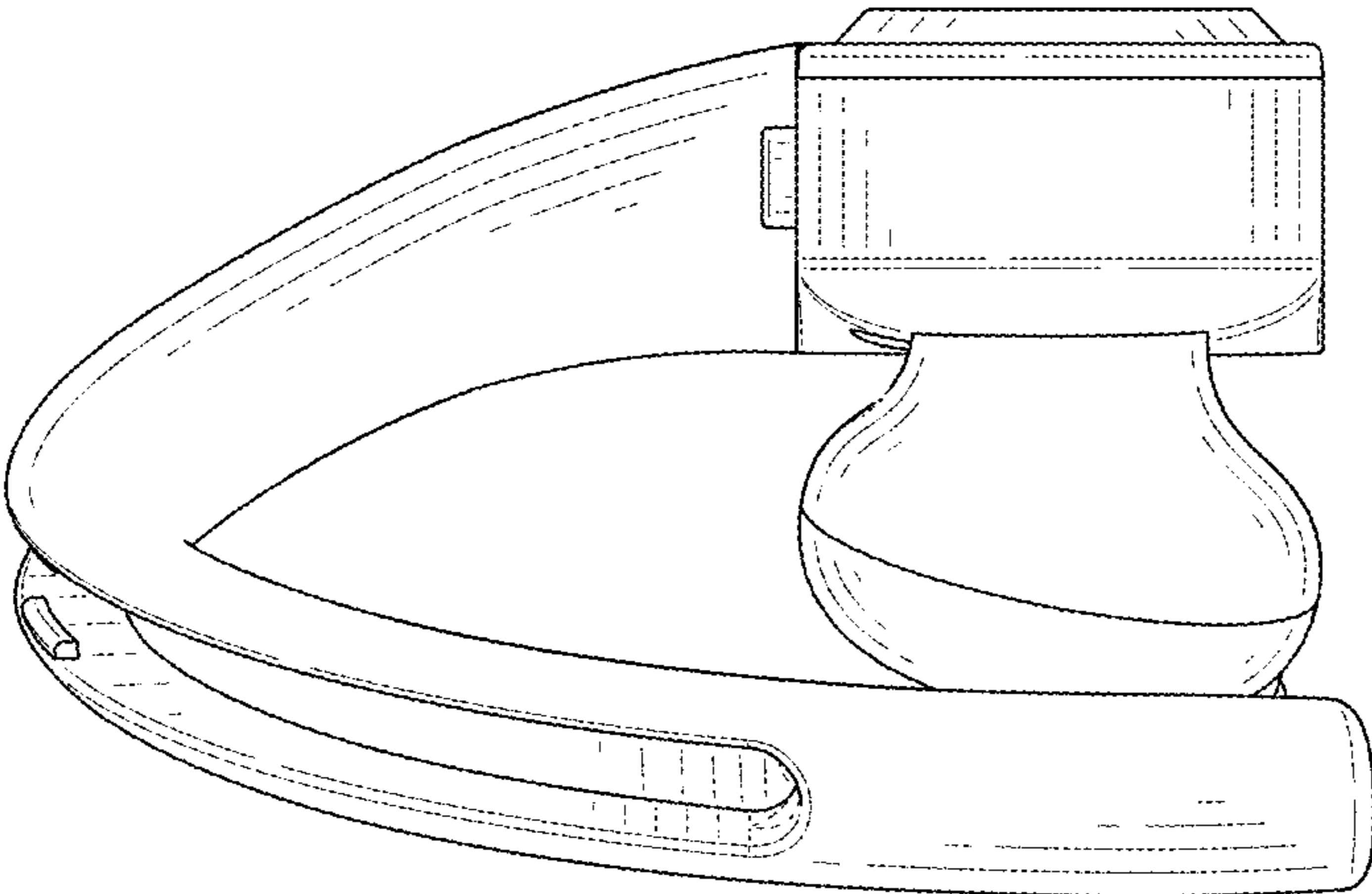


FIG. 5

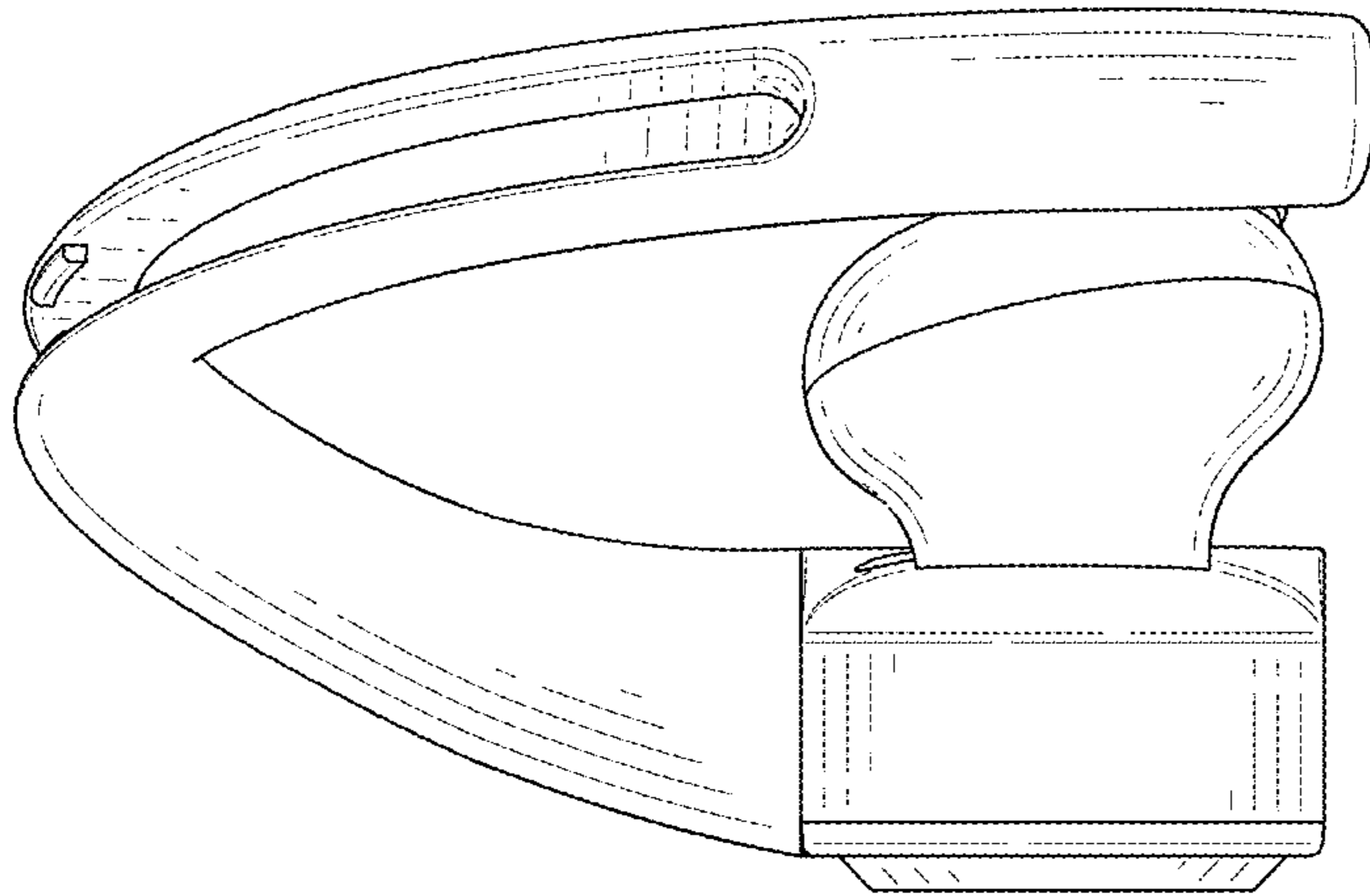


FIG. 6



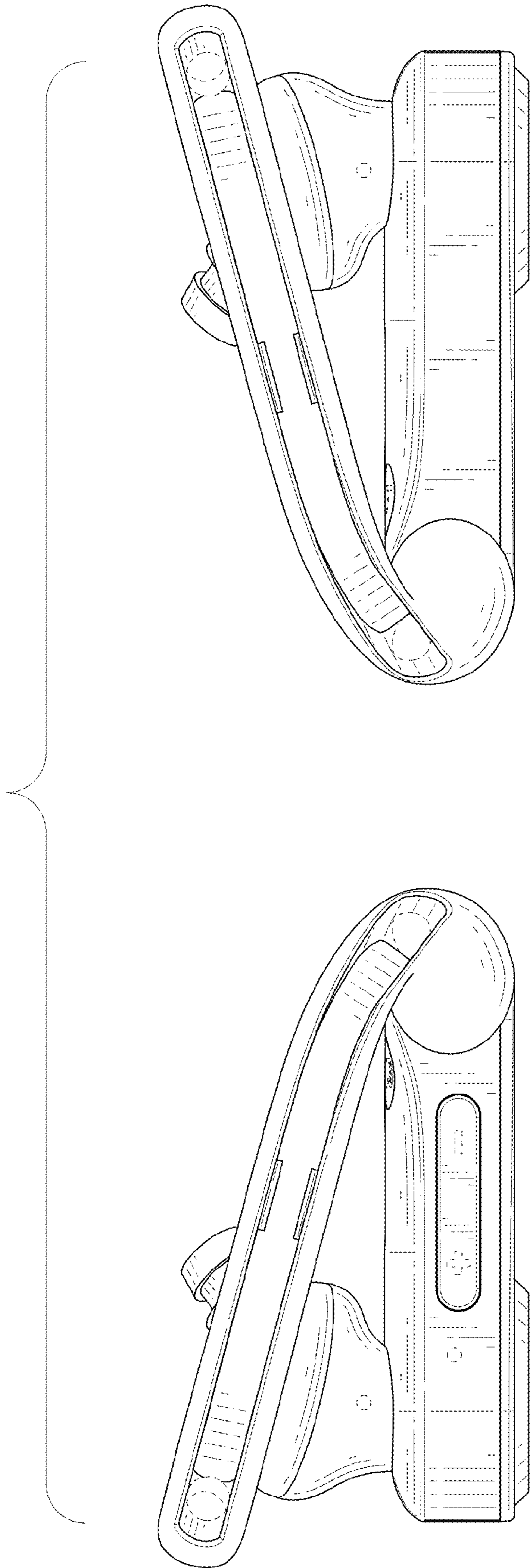


FIG. 7

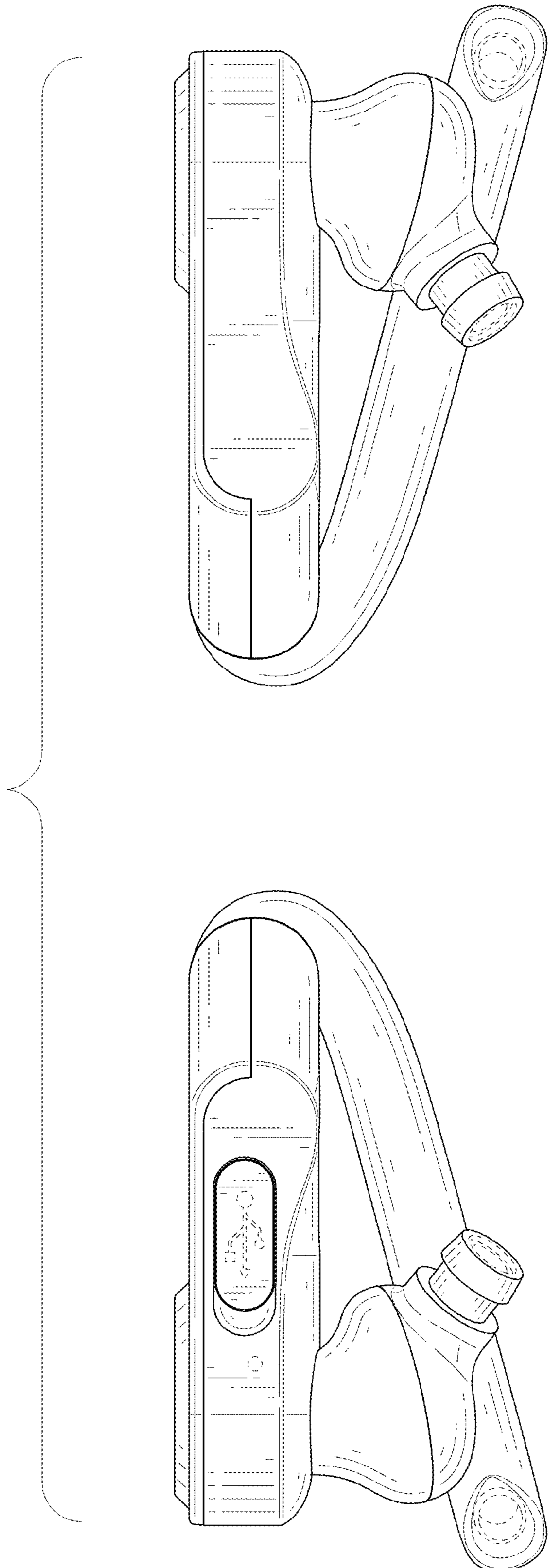


FIG. 8