



US00D890136S

(12) **United States Design Patent**
Cohen et al.

(10) **Patent No.:** **US D890,136 S**
(45) **Date of Patent:** **** Jul. 14, 2020**

- (54) **EARPHONE SUPPORT**
- (71) Applicant: **Logitech Europe S.A.**, Lausanne (CH)
- (72) Inventors: **Navi Cohen**, San Jose, CA (US); **Jose Froilan P Lomotan**, San Jose, CA (US); **Jonathan Thuot**, Fremont, CA (US); **Michael Roy**, Newark, CA (US)
- (73) Assignee: **LOGITECH EUROPE S.A.**, Lausanne (CH)
- (**) Term: **15 Years**
- (21) Appl. No.: **29/692,305**
- (22) Filed: **May 23, 2019**
- (51) **LOC (12) Cl.** **14-01**
- (52) **U.S. Cl.**
USPC **D14/223**
- (58) **Field of Classification Search**
USPC D14/223, 205, 206; D24/174; 128/864, 128/865, 866; 181/129, 130, 135; 379/430, 431; 381/380, 381, 322-324, 381/330; 455/90.3, 575, 1, 569.1
CPC H04R 1/10; H04R 25/00; H04R 1/1016; H04R 1/1066; H04R 5/033; H04R 5/0335; H04R 1/1091; H04R 1/1058; H04R 1/105; H04R 1/1083
See application file for complete search history.

9,648,408	B2 *	5/2017	Korch-Haahr	H04R 1/1033
D871,375	S *	12/2019	Meyer	D14/223
D878,338	S *	3/2020	Yang	D14/223
D881,849	S *	4/2020	Aoyagi	D14/223
D881,850	S *	4/2020	Zhang	D14/223
2006/0291686	A1 *	12/2006	Hlas	H04R 1/086 381/381

* cited by examiner

Primary Examiner — Katie Jane Stofko
(74) *Attorney, Agent, or Firm* — Patterson & Sheridan, LLP

(57) **CLAIM**

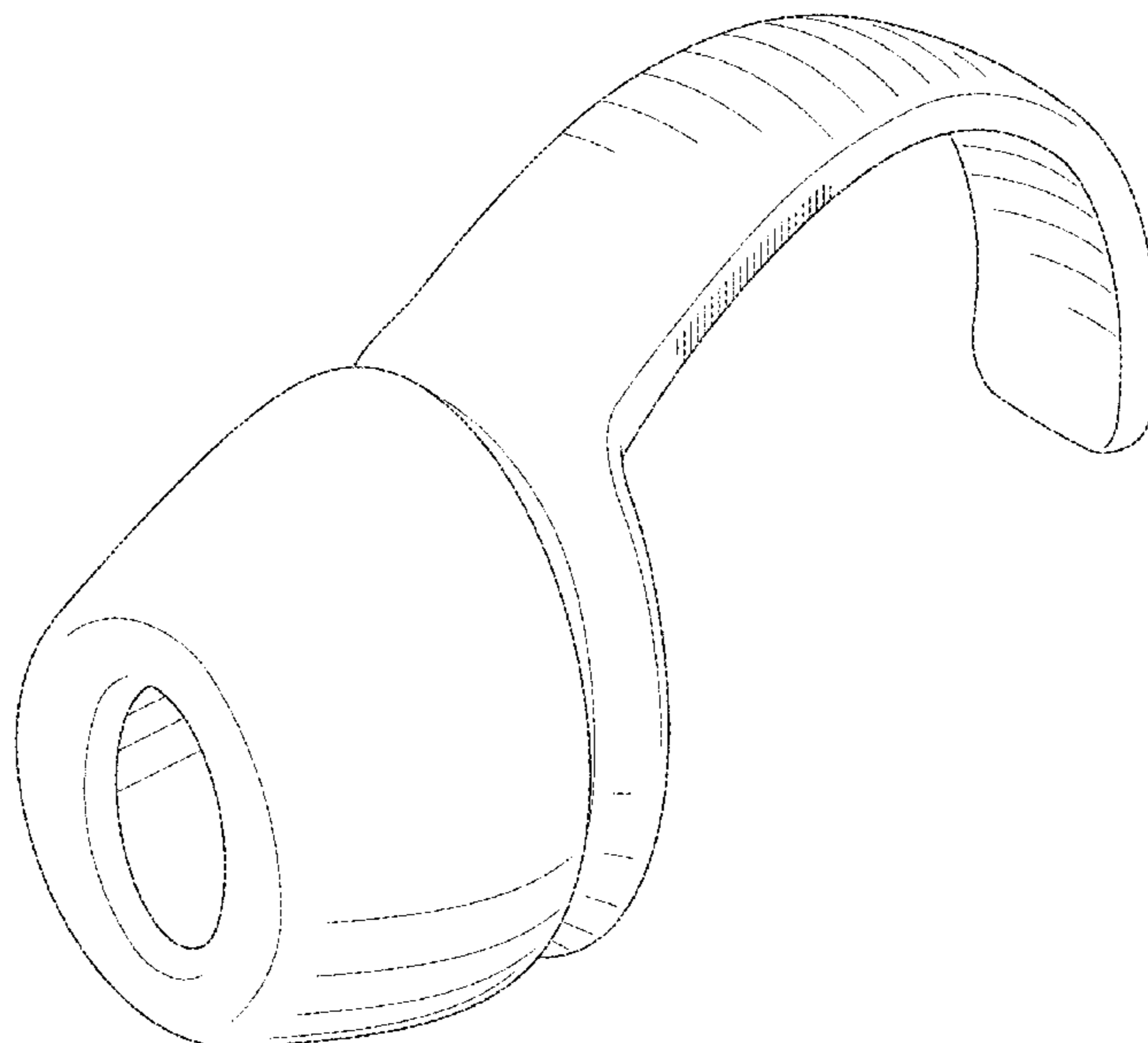
The ornamental design of an earphone support, as shown and described.

DESCRIPTION

FIG. 1 is a front, top, right perspective view of an earphone support according to our new design;
 FIG. 2 is a rear, top, right perspective view of the earphone support shown in FIG. 1;
 FIG. 3 is a front, bottom, left perspective view of the earphone support shown in FIG. 1;
 FIG. 4 is a rear, bottom, left perspective view of the earphone support shown in FIG. 1;
 FIG. 5 is a left side view of the earphone support shown in FIG. 1;
 FIG. 6 is a right side view of the earphone support shown in FIG. 1;
 FIG. 7 is a front view of the earphone support shown in FIG. 1;
 FIG. 8 is a rear view of the earphone support shown in FIG. 1;
 FIG. 9 is a top view of the earphone support shown in FIG. 1; and,
 FIG. 10 is a bottom view of the earphone support shown in FIG. 1.

1 Claim, 9 Drawing Sheets

- (56) **References Cited**
U.S. PATENT DOCUMENTS
D443,261 S * 6/2001 Yuyama D14/223
D506,462 S * 6/2005 Han D14/205
D557,255 S * 12/2007 Shintani D14/206
D571,784 S * 6/2008 Jensen D14/205
D695,275 S * 12/2013 Chee D14/223
D755,159 S * 5/2016 Birger D14/206
D781,821 S * 3/2017 Petersen D14/205



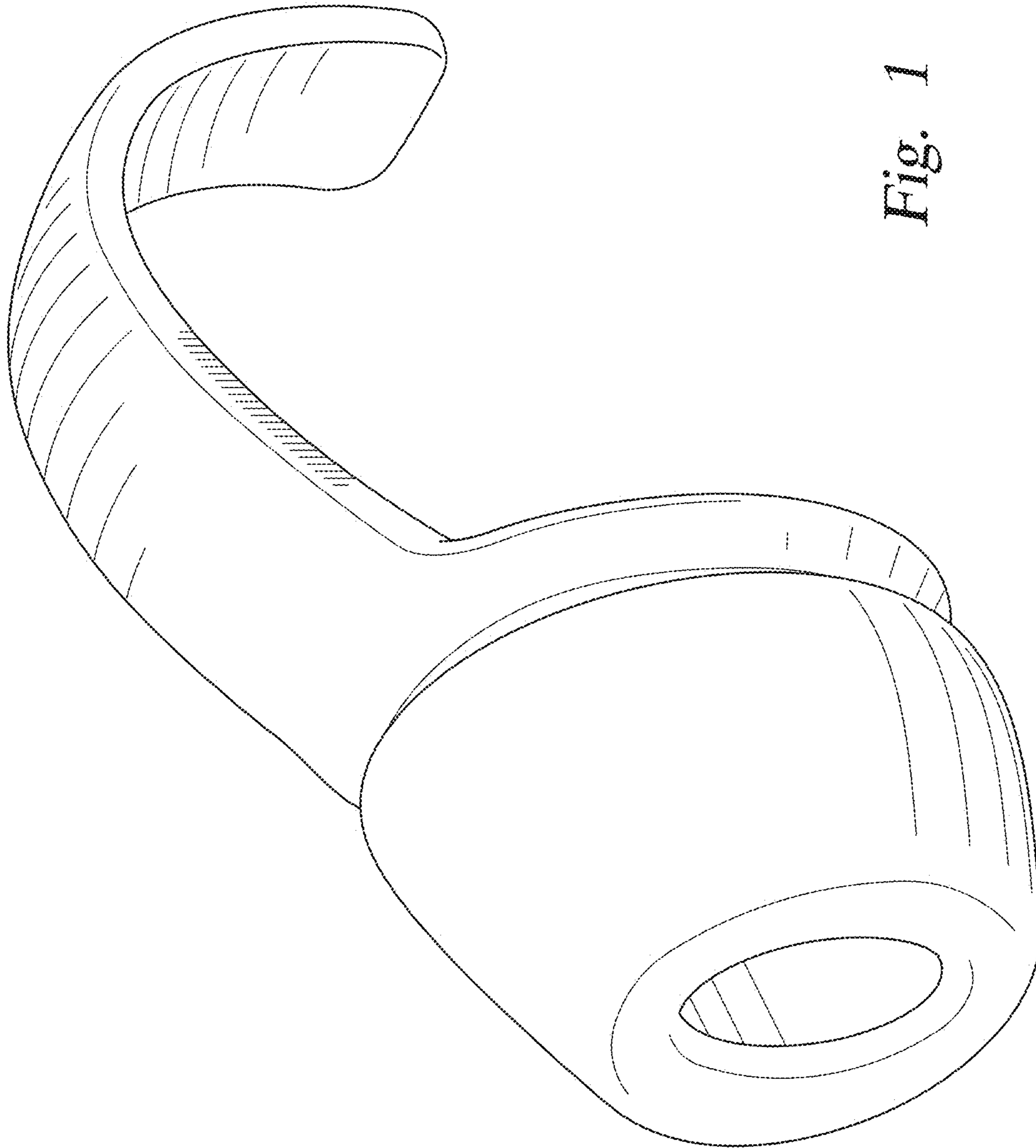


Fig. 1

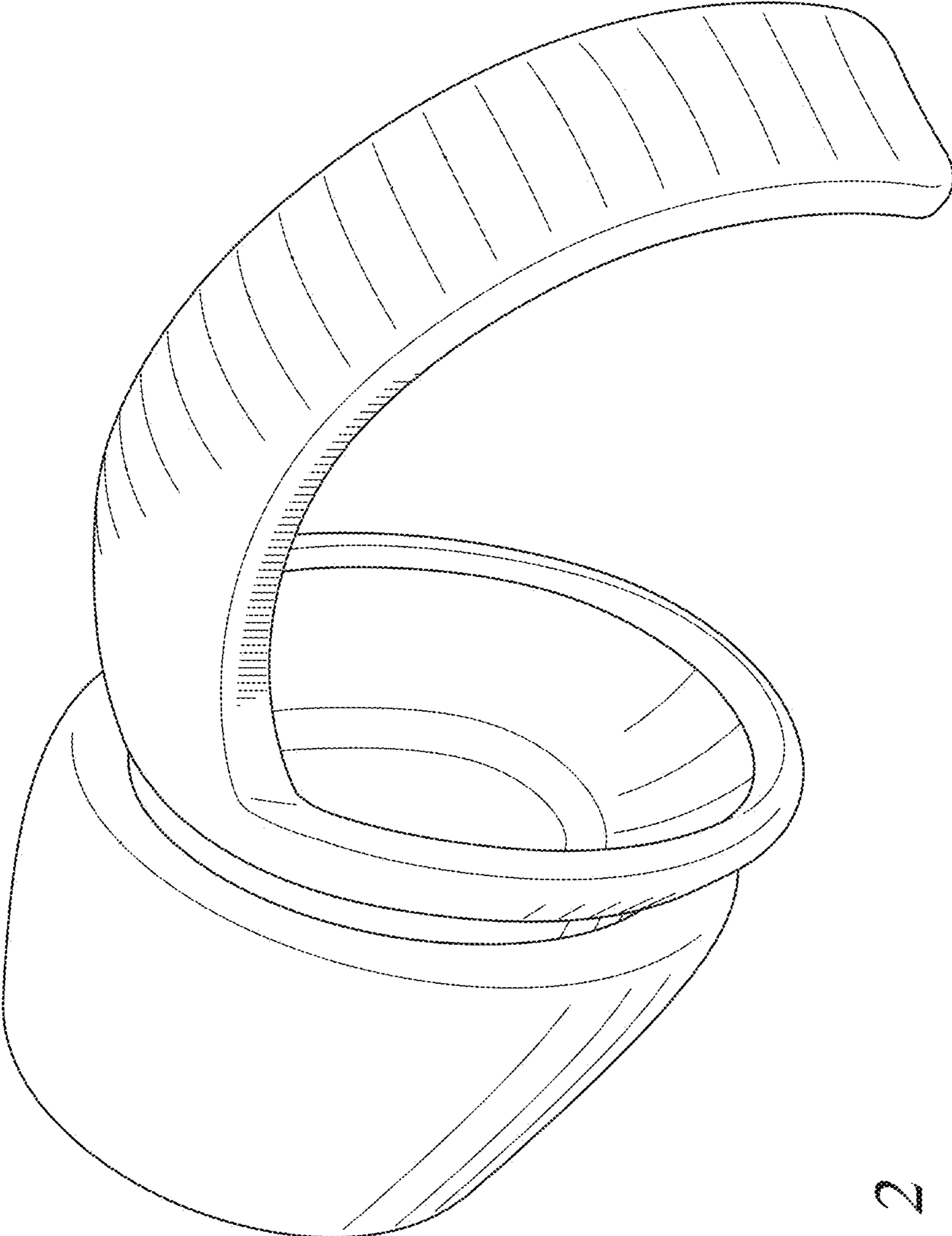


Fig. 2

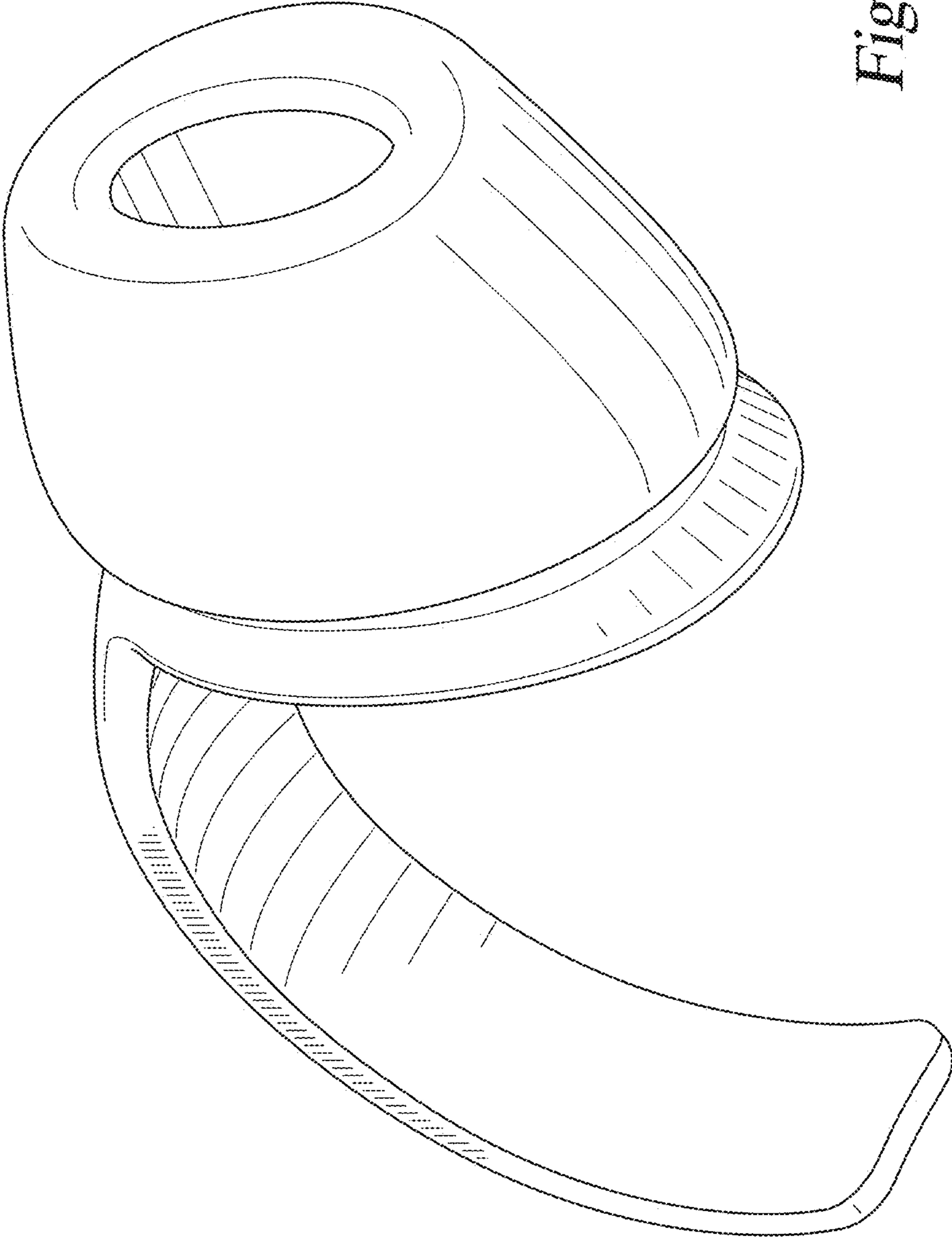


Fig. 3

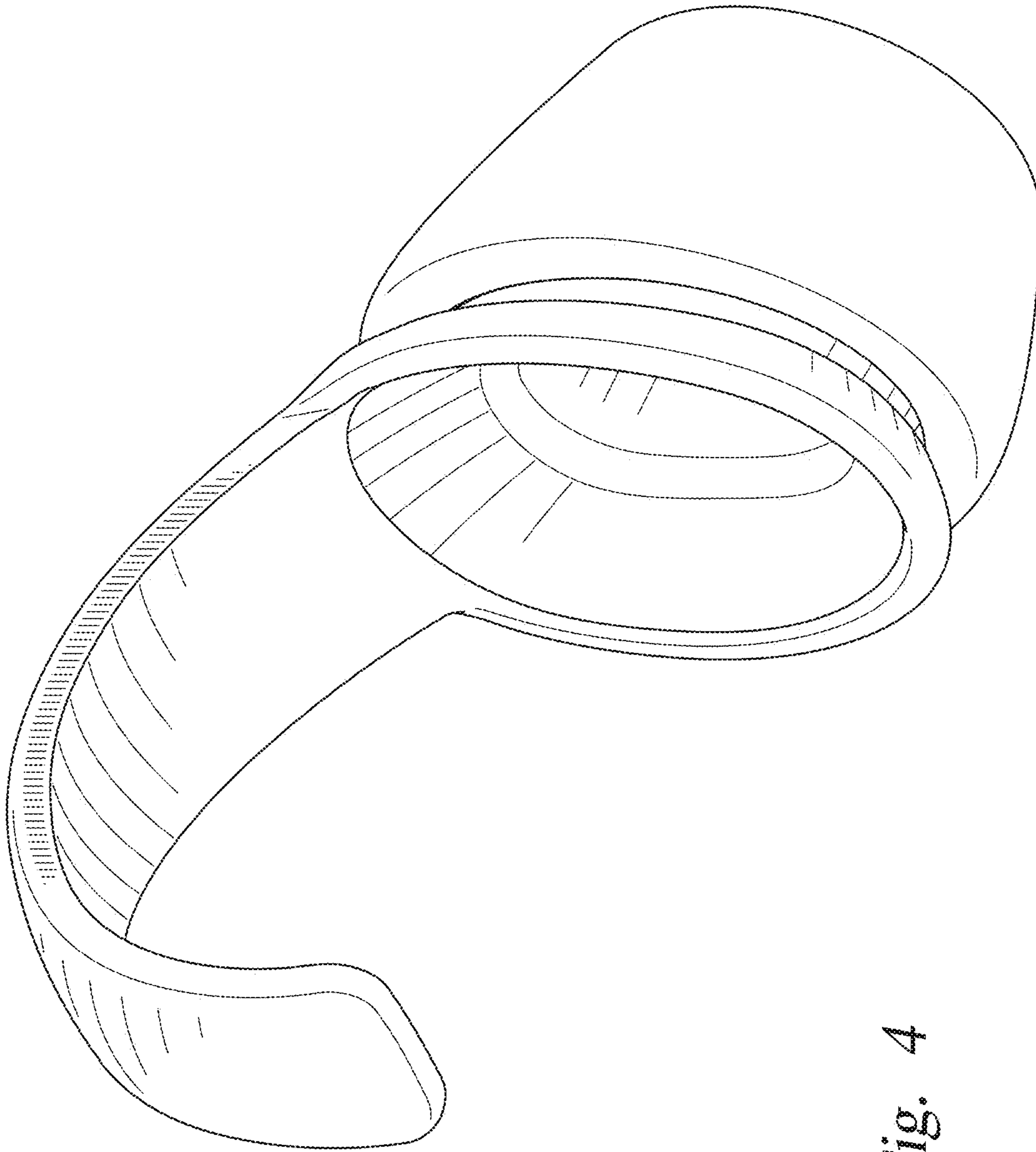


Fig. 4

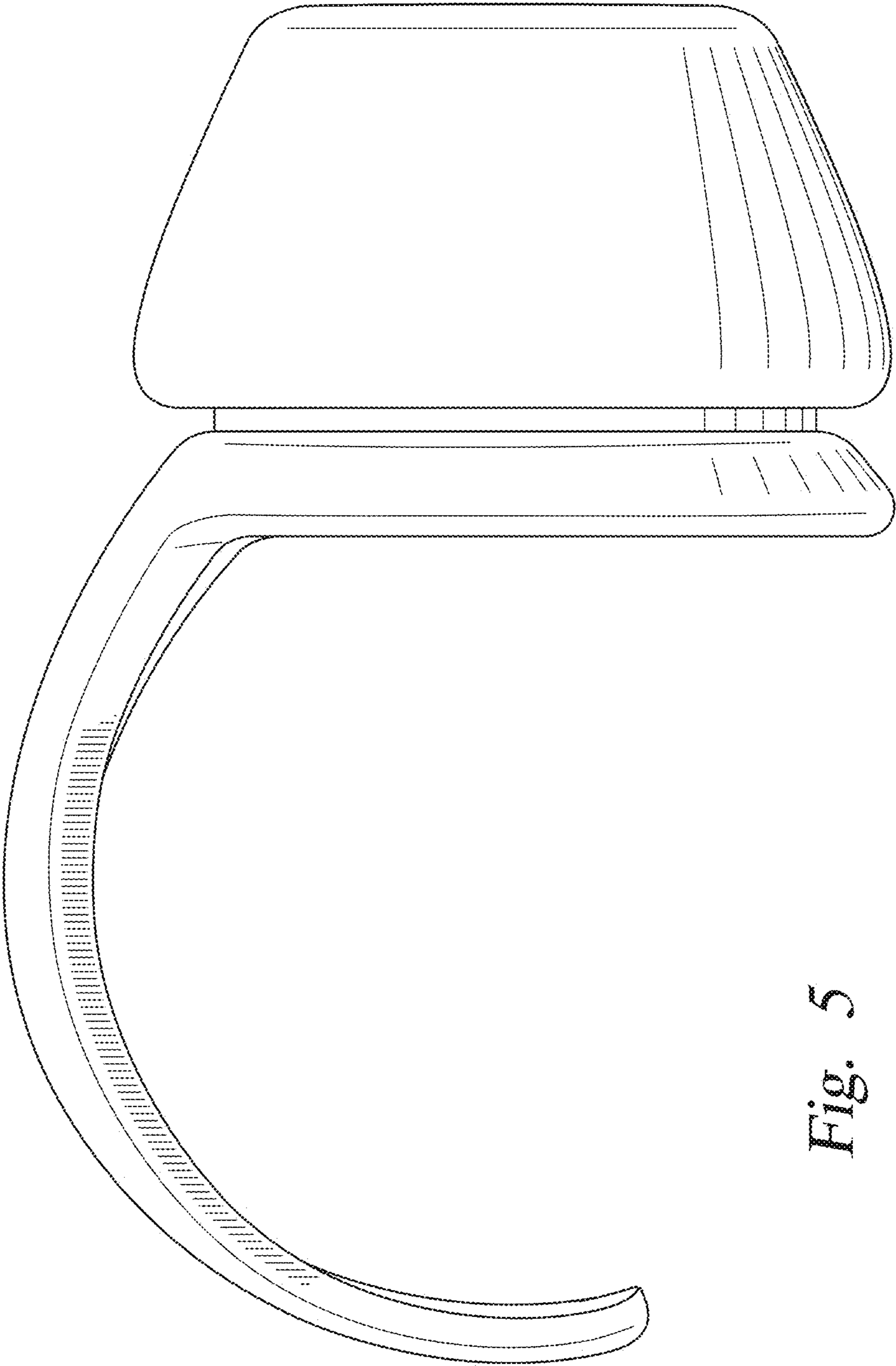


Fig. 5

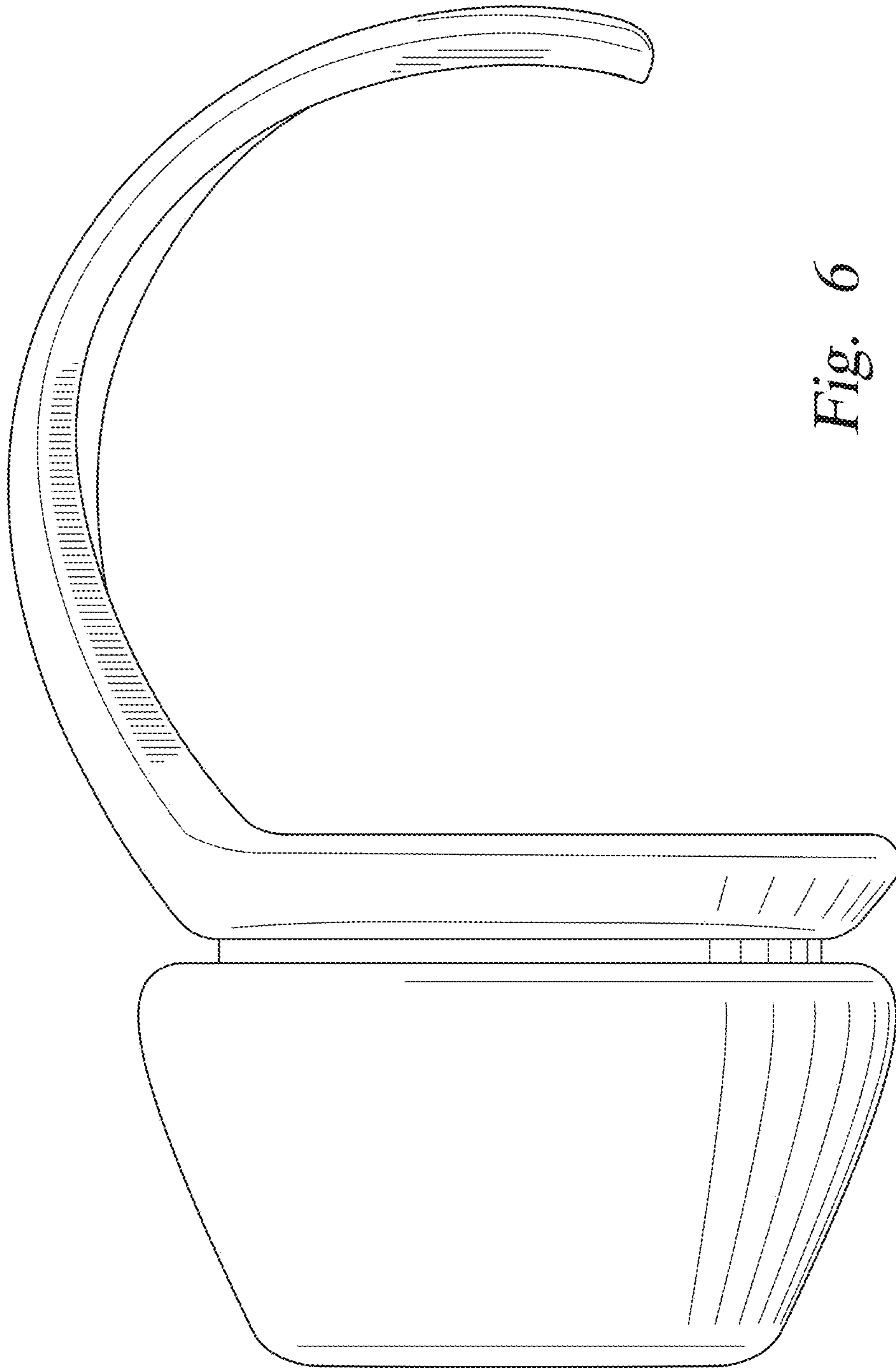


Fig. 6

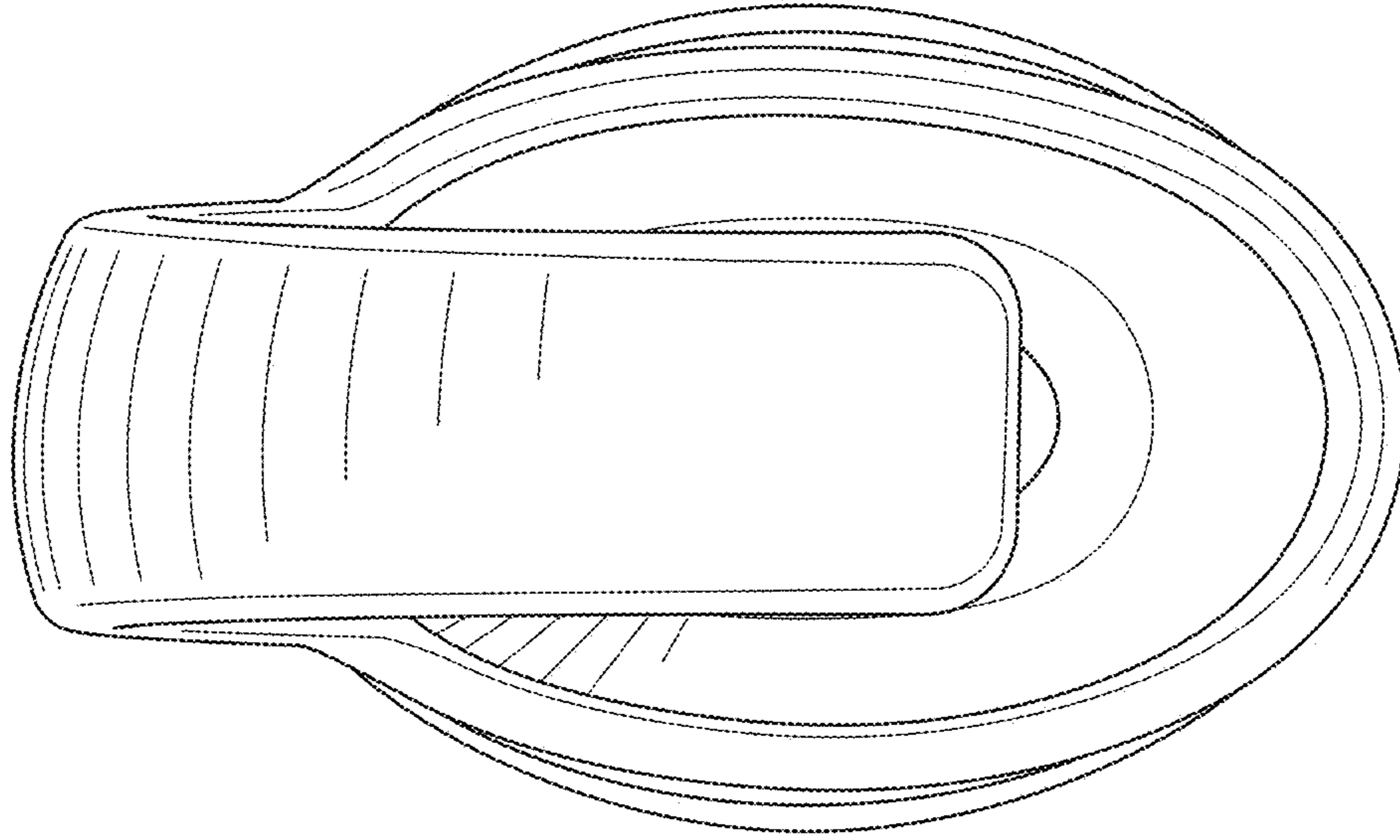


Fig. 8

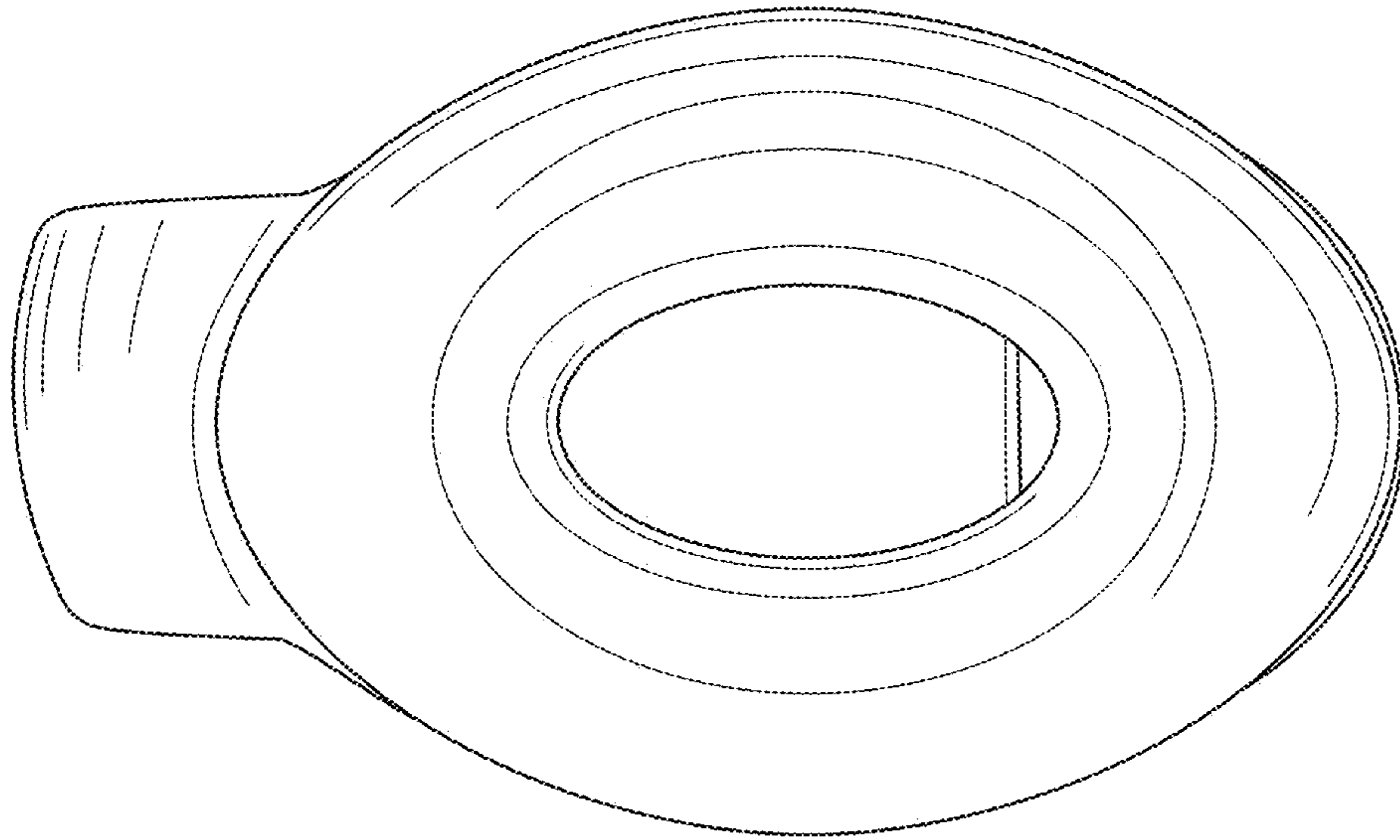


Fig. 7

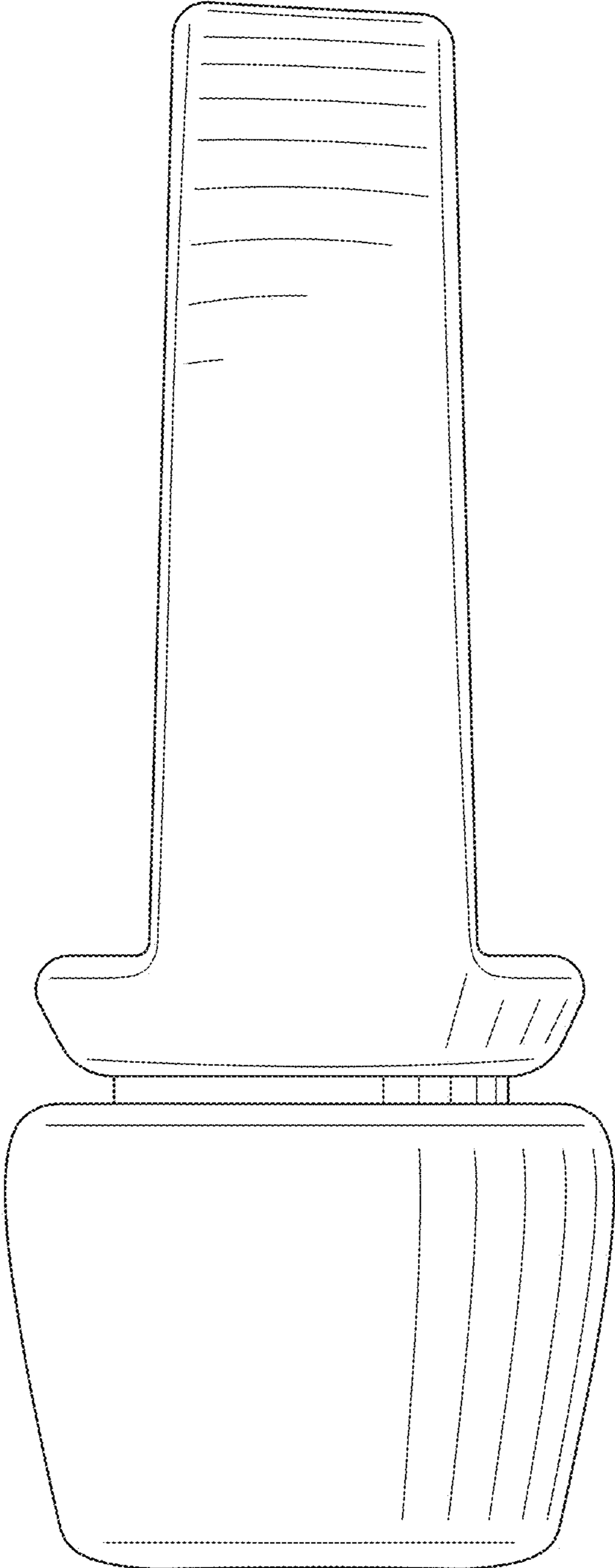


Fig. 9

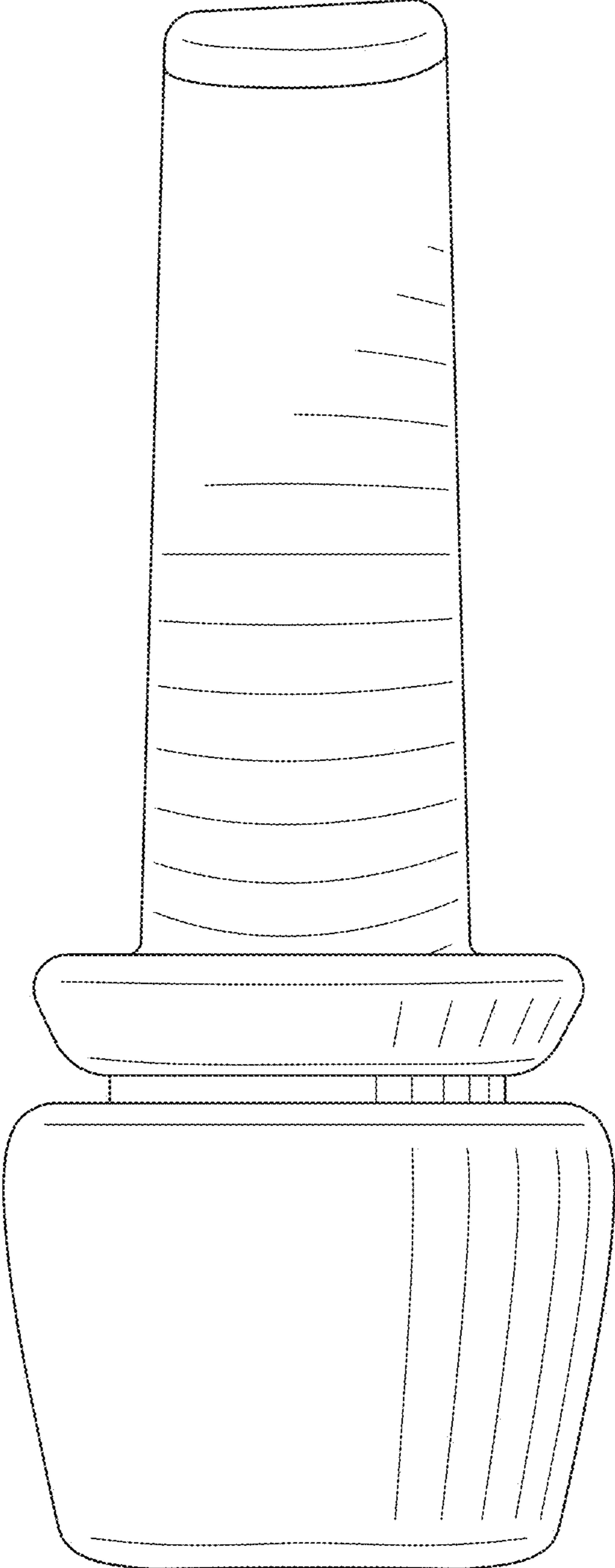


Fig. 10