



US00D890135S

(12) **United States Design Patent** (10) **Patent No.:** **US D890,135 S**
Tompson et al. (45) **Date of Patent:** **** Jul. 14, 2020**

(54) **RADIO ENCLOSURE**
(71) Applicant: **ConcealFab Corporation**, Colorado Springs, CO (US)
(72) Inventors: **Carl Tompson**, Colorado Springs, CO (US); **Oliver Carson**, Colorado Springs, CO (US); **Amber Bartley**, Colorado Springs, CO (US); **Jonathan Morris**, Colorado Springs, CO (US)

8,228,255 B2 7/2012 Mao
D665,347 S * 8/2012 Chen D13/108
D697,900 S 1/2014 Yang et al.
9,099,860 B2 8/2015 Martinez et al.
D741,285 S * 10/2015 Boynton D14/188
D751,610 S 3/2016 Serrurier et al.
D790,512 S * 6/2017 Lee D14/217
9,685,713 B2 6/2017 Takahashi

(Continued)

FOREIGN PATENT DOCUMENTS

(73) Assignee: **ConcealFab Corporation**, Colorado Springs, CO (US)

BR 3020190034611 7/2019
WO 2019043046 A1 8/2018

(**) Term: **15 Years**

OTHER PUBLICATIONS

(21) Appl. No.: **29/724,762**

Commscope, DC Surge Protection for 12 Remote RRH/Integrated Antenna, Talley Inc.

(22) Filed: **Feb. 19, 2020**

(Continued)

(51) **LOC (12) Cl.** **14-03**

Primary Examiner — Khawaja Anwar

(52) **U.S. Cl.**
USPC **D14/217**

(74) *Attorney, Agent, or Firm* — Mehrman Law Office;
Michael J. Mehrman

(58) **Field of Classification Search**
USPC D13/149, 154, 137.4, 139.8, 139.9, 133,
D13/156, 184, 199; D14/217, 299, 432,
D14/433, 434, 240, 137, 188, 192-198,
D14/221, 218, 222; D9/414, 415, 430
CPC A61M 2205/3389; A61M 1/3627; A61M
1/14; A61M 1/1603; A61M 1/1668;
A61M 2205/123; A61M 2205/3317;
A61M 2205/3368
See application file for complete search history.

(57) **CLAIM**

The ornamental design for a radio enclosure, shown and described herein.

DESCRIPTION

FIG. 1 is a perspective view of a radio enclosure, showing the new design;
FIG. 2 is a front elevational view thereof;
FIG. 3 is a rear elevational view thereof;
FIG. 4 is a left side elevational view thereof;
FIG. 5 is a right side elevational view thereof;
FIG. 6 is a top view of thereof; and,
FIG. 7 is a bottom view thereof.

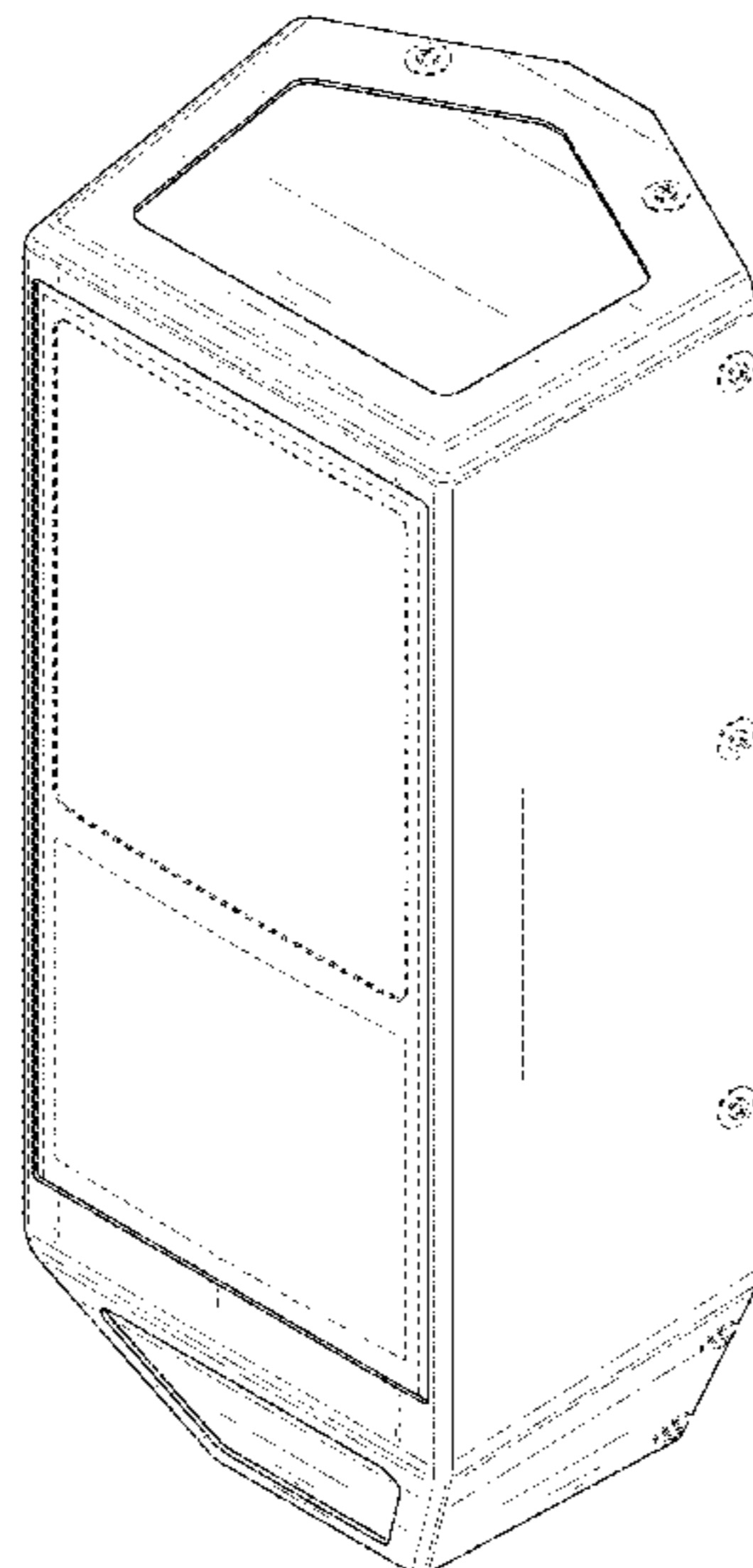
The broken line portion of the figure drawings is included to show portions of the article that form no part of the claimed design.

(56) **References Cited**

U.S. PATENT DOCUMENTS

D398,611 S 9/1998 Read
D429,720 S 8/2000 Strand
D431,230 S * 9/2000 Began D13/184
D480,071 S * 9/2003 Lum D14/217
D533,831 S * 12/2006 Kim D13/103
D587,707 S * 3/2009 Maiers D14/356
7,782,268 B2 8/2010 Carroll et al.

1 Claim, 7 Drawing Sheets



(56)

References Cited

U.S. PATENT DOCUMENTS

D791,737 S * 7/2017 Plattard D14/217
D805,503 S 12/2017 Corp et al.
D813,813 S * 3/2018 Marcos Moreira da Silva
D13/119
D827,608 S * 9/2018 Nugent D14/214
10,103,421 B1 10/2018 Alexander et al.
D833,418 S * 11/2018 Warden D14/217
10,135,130 B1 11/2018 Bouchard
D835,575 S * 12/2018 Wen D13/107
D844,573 S 4/2019 Hoffknecht et al.
D851,069 S * 6/2019 Fortin D14/217
D856,304 S * 8/2019 Lamb D14/217
D866,551 S * 11/2019 Choi D14/356
10,476,138 B2 11/2019 Faig
D874,437 S * 2/2020 Iwahori D14/217
D876,394 S * 2/2020 Nugent D14/214
2019/0080826 A1 3/2019 Kamensek et al.

OTHER PUBLICATIONS

Arlington, Paving the Way for Faster Mobile Speeds in Arlington,
Jun. 26, 2019, Virginia.
Raycap, Small Cell Concealments Product Guide 2020, Oct. 25,
2019 (accessed).
Raycap, 5G Radio Shroud, Oct. 25, 2019 (accessed).

* cited by examiner

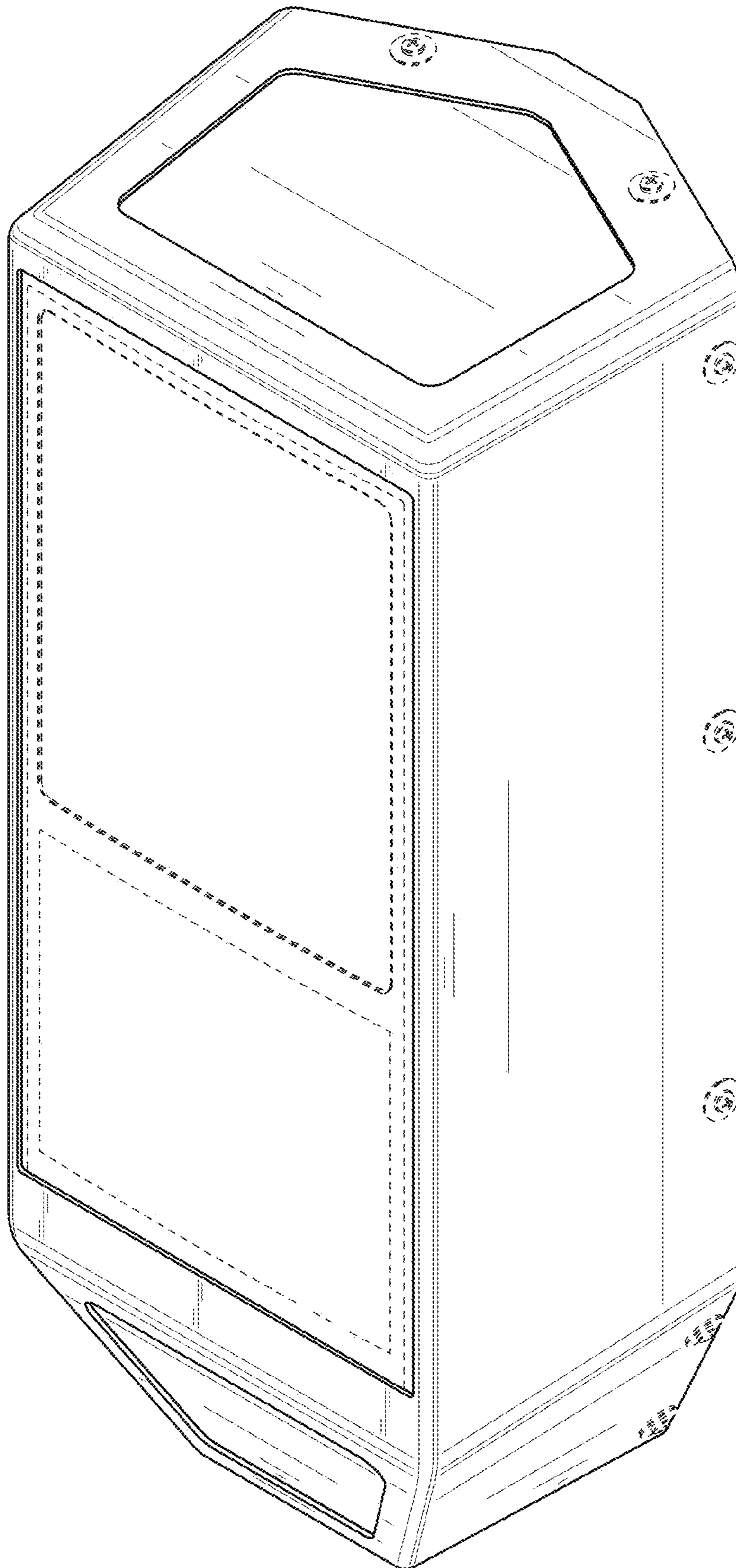


FIG. 1

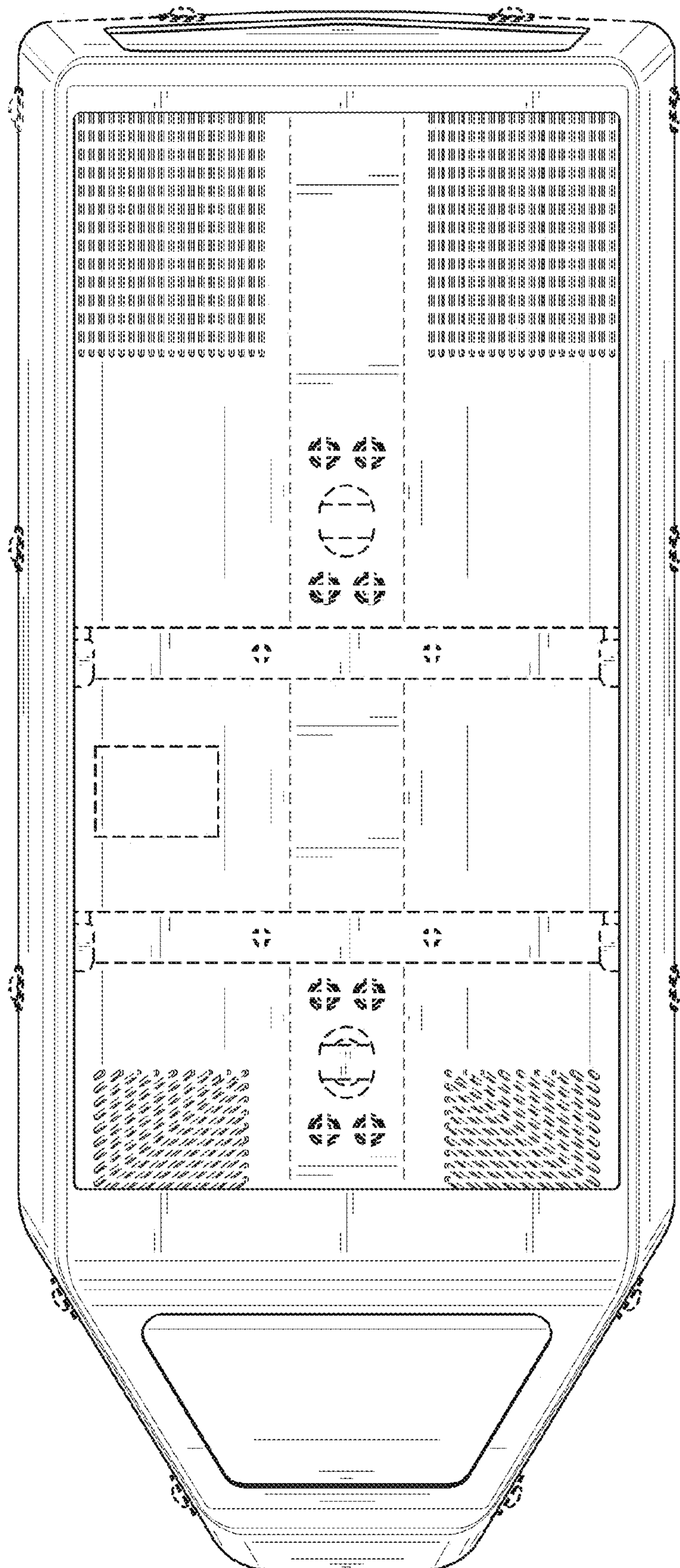


FIG. 2

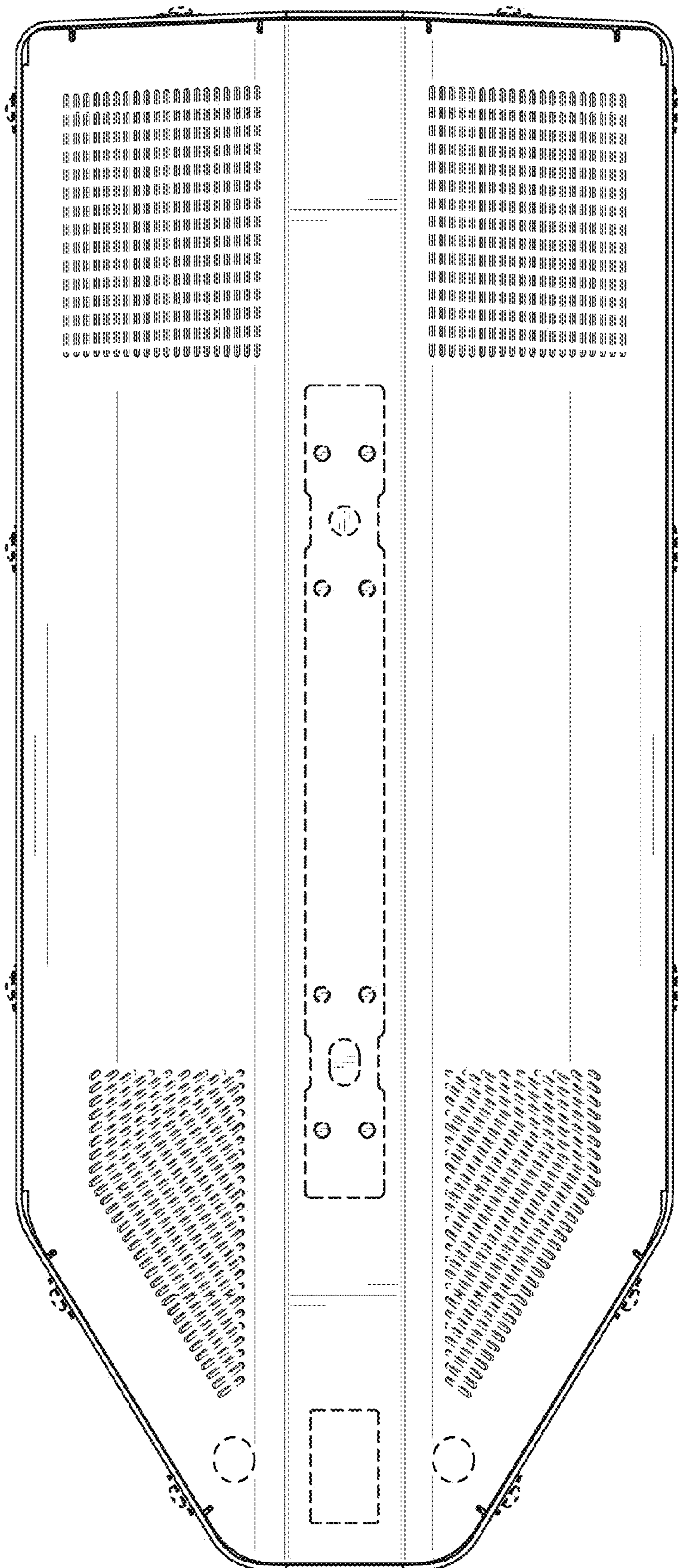


FIG. 3

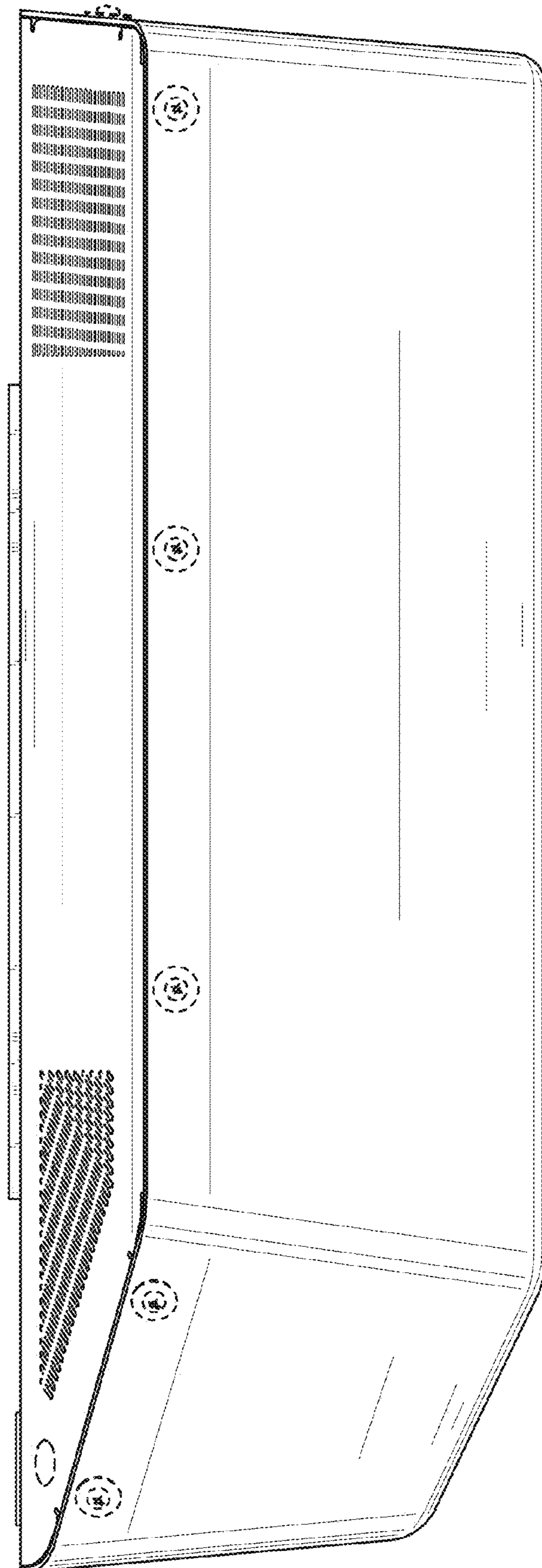


FIG. 4

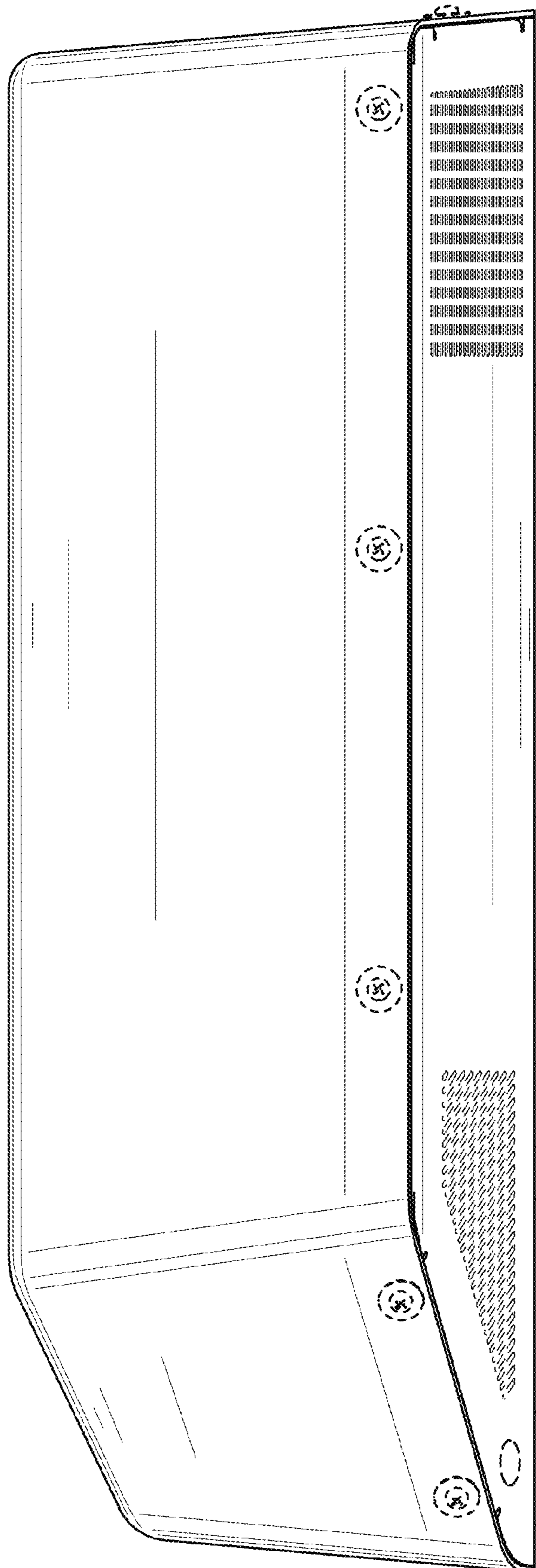


FIG. 5

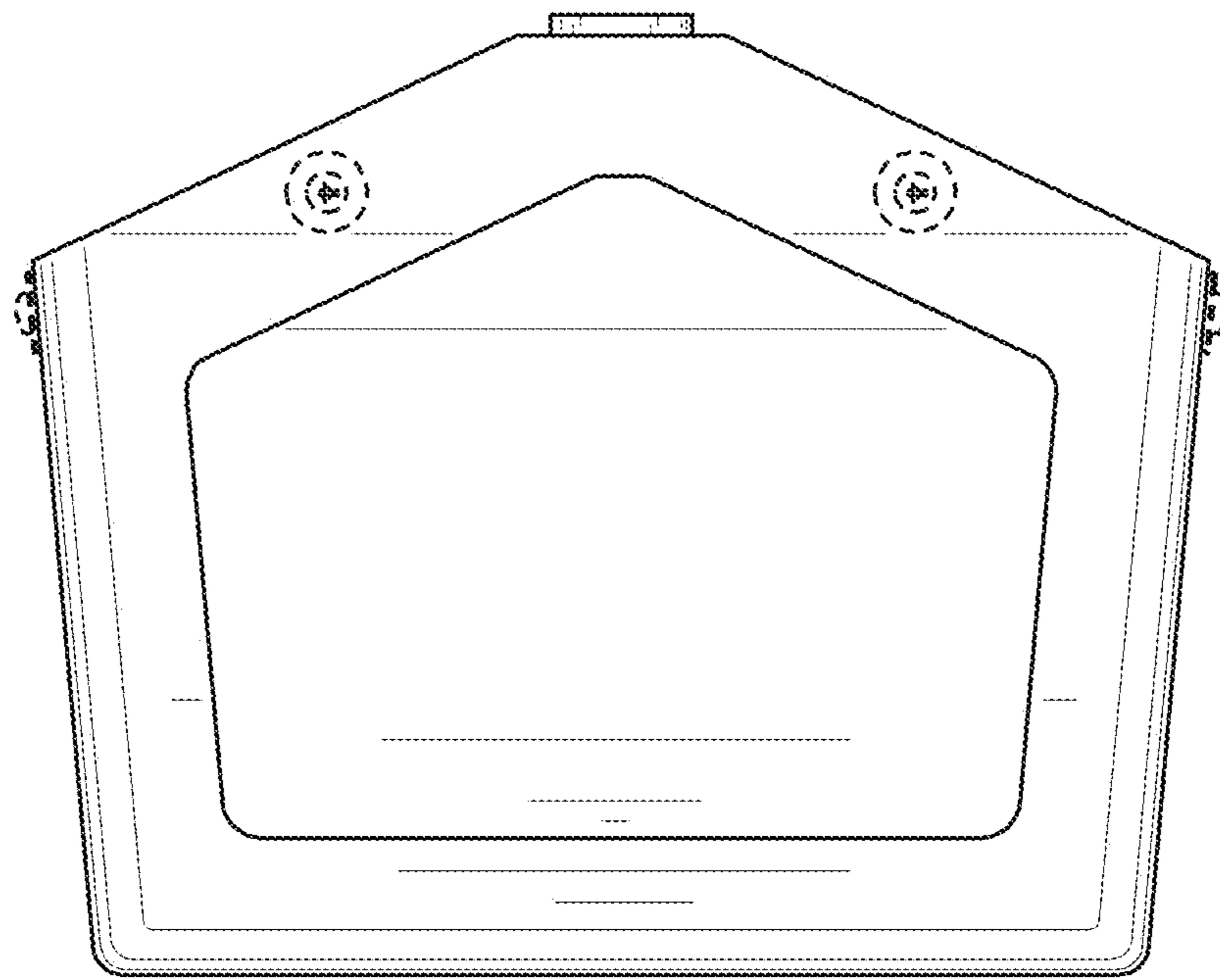


FIG. 6

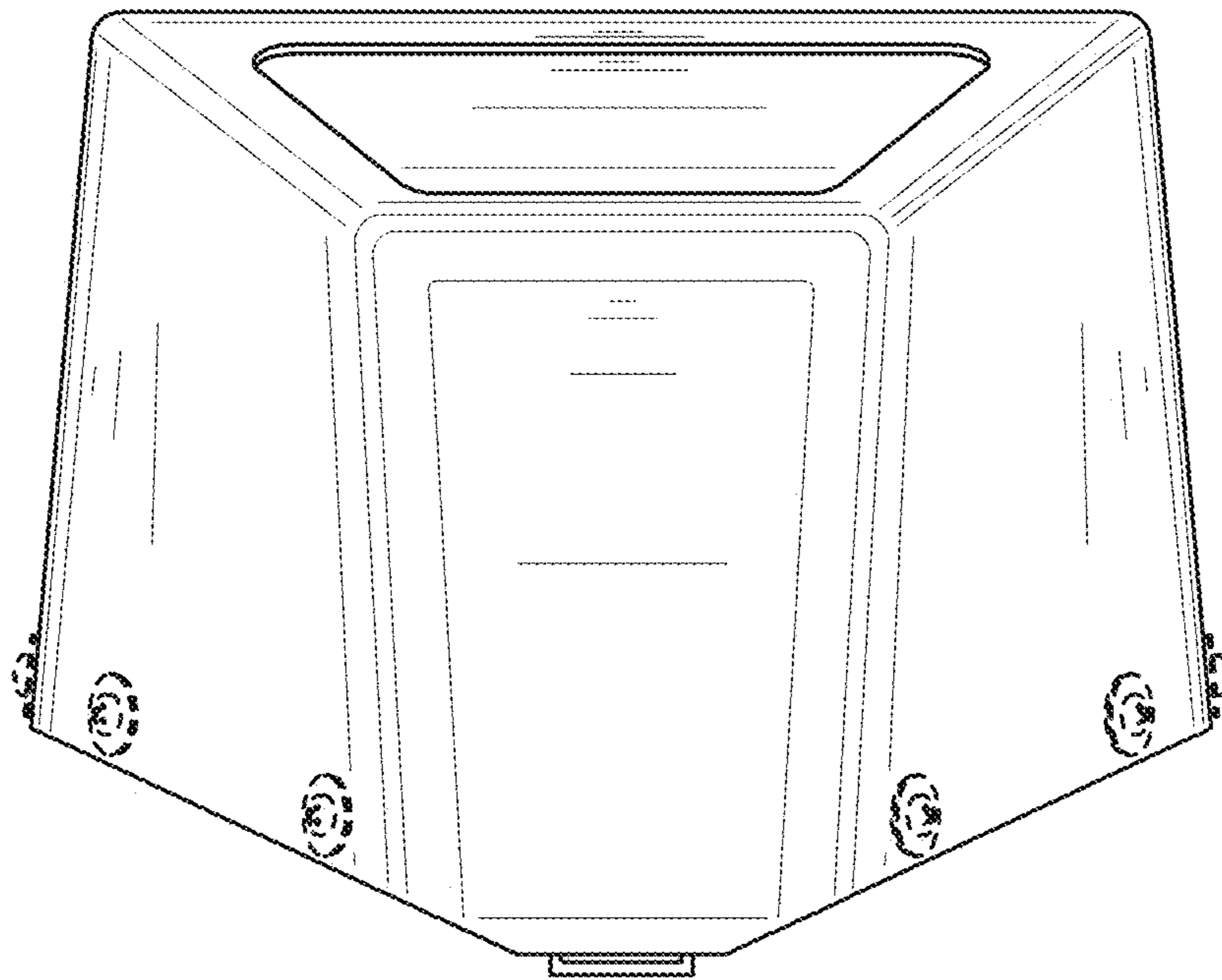


FIG. 7