



US00D890129S

(12) **United States Design Patent**
Liu

(10) **Patent No.:** **US D890,129 S**
(45) **Date of Patent:** **** Jul. 14, 2020**

(54) **HEADPHONE**

(71) Applicant: **Suyun Liu, Jiangxi (CN)**

(72) Inventor: **Suyun Liu, Jiangxi (CN)**

(**) Term: **15 Years**

(21) Appl. No.: **29/658,541**

(22) Filed: **Aug. 1, 2018**

(51) **LOC (12) Cl.** **14-01**

(52) **U.S. Cl.**
USPC **D14/206; D14/226**

(58) **Field of Classification Search**
USPC D14/206, 226, 372, 205; D29/112;
2/209; 181/129, 130, 135; 379/430, 431;
381/380, 381, 374; 455/90.3, 575.1,
455/569.1
CPC H04R 25/00; H04R 1/1066; H04R 1/1016;
H04R 5/033; H04R 5/0335; H04R 19/04
See application file for complete search history.

(56) **References Cited**

U.S. PATENT DOCUMENTS

- D226,273 S * 2/1973 Tyson et al. D14/206
- 4,302,635 A * 11/1981 Jacobsen H04R 1/1058
381/371
- D301,145 S * 5/1989 Besasie D14/205
- D369,604 S * 5/1996 Morimiya D14/205
- 6,560,346 B2 * 5/2003 Ohta H04R 1/083
381/370
- D491,163 S * 6/2004 Green D14/205
- D518,479 S * 4/2006 Skulley D14/225
- D538,261 S * 3/2007 Taylor D14/205
- D576,604 S * 9/2008 Suzuki D14/205
- D583,800 S * 12/2008 Jaakkola D14/205
- D589,492 S * 3/2009 Mistry D14/205
- D592,640 S * 5/2009 Tkachuk D14/205
- D594,847 S * 6/2009 Suzuki D14/205
- D616,865 S * 6/2010 Marchand D14/205
- D638,397 S * 5/2011 McManigal D14/205

- D656,480 S * 3/2012 McManigal D14/205
- 8,139,807 B2 * 3/2012 Reiss H04R 1/1083
381/371
- D665,775 S * 8/2012 Katsumata D14/205
- D666,579 S * 9/2012 Hou D14/205
- D691,111 S * 10/2013 Lee D14/206
- D699,216 S * 2/2014 Bonahoom D14/205
- D705,750 S * 5/2014 Wu H04R 1/1066
D14/205
- D716,762 S * 11/2014 Greve D14/206
- D721,053 S * 1/2015 Fujioka D14/205
- D722,591 S * 2/2015 Son D14/205
- 9,036,849 B2 * 5/2015 Thompson H04R 1/083
381/122
- D734,297 S * 7/2015 Sasaki D14/205
- D734,745 S * 7/2015 Tatkon-Coker D14/225
- D746,793 S * 1/2016 Logan D14/206

(Continued)

FOREIGN PATENT DOCUMENTS

EM 005512548-0001 * 7/2018

Primary Examiner — Paula Allen Greene

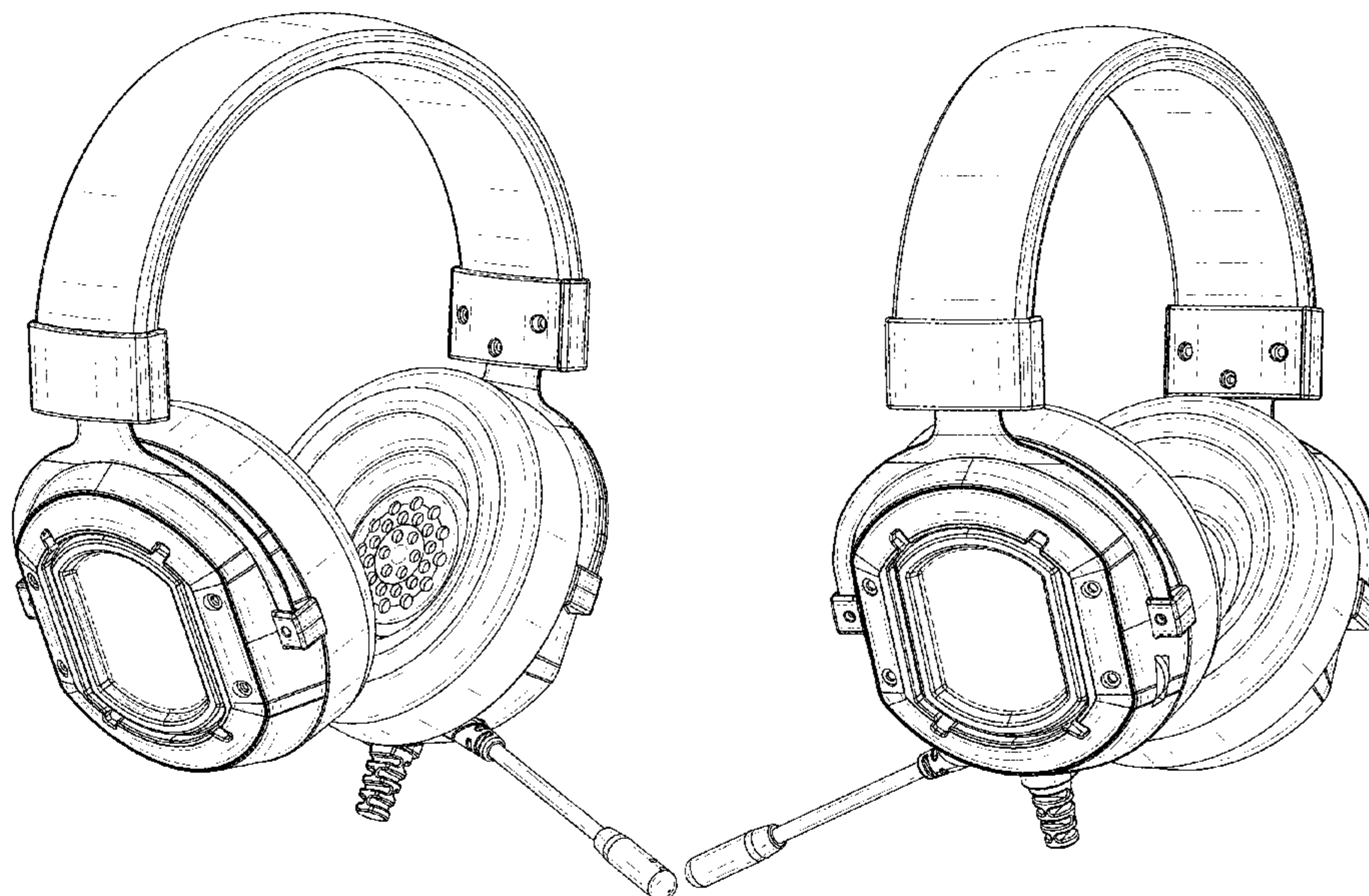
(57) **CLAIM**

The ornamental design for a headphone, as shown and described.

DESCRIPTION

FIG. 1 is a perspective view of a headphone showing my new design;
FIG. 2 is a perspective view thereof;
FIG. 3 is a front side view thereof;
FIG. 4 is a rear side view thereof;
FIG. 5 is a right side view thereof;
FIG. 6 is a left side view thereof;
FIG. 7 is a bottom plan view thereof; and,
FIG. 8 is a top plan view thereof.
The broken lines depict environment that forms no part of the claimed design.

1 Claim, 8 Drawing Sheets



(56)

References Cited

U.S. PATENT DOCUMENTS

D761,761	S	*	7/2016	Ando	D14/205
D787,469	S	*	5/2017	Djohar	D14/205
D787,470	S	*	5/2017	Kelly	D14/205
D790,506	S	*	6/2017	Broadley	D14/206
D792,376	S	*	7/2017	Morimoto	D14/205
D793,359	S	*	8/2017	Katopis	D14/205
D794,601	S	*	8/2017	Riggs	D14/205
D796,471	S	*	9/2017	Warren	D14/204
D796,478	S	*	9/2017	Minn	D14/205
D800,691	S	*	10/2017	Ando	D14/205
D814,439	S	*	4/2018	Birath	D14/205
D815,614	S	*	4/2018	Tzeng	D14/205
D816,061	S	*	4/2018	Ando	D14/205
D823,278	S	*	7/2018	Ito	D14/205
D836,085	S	*	12/2018	Sun	D14/206
D840,977	S	*	2/2019	Pu	D14/206
D851,064	S	*	6/2019	Wang	D14/206
D876,387	S	*	2/2020	Liu	D14/205
D877,116	S	*	3/2020	Liu	D14/206
D880,450	S	*	4/2020	Liu	D14/206
2005/0238189	A1	*	10/2005	Tsai	H04R 1/1075 381/309
2010/0040252	A1	*	2/2010	Thompson	H04R 1/083 381/375
2010/0310093	A1	*	12/2010	Semcken	H04R 1/1058 381/104
2013/0319788	A1	*	12/2013	Franzen	A61F 11/14 181/129
2016/0286019	A1	*	9/2016	Broadley	H04M 1/6058

* cited by examiner

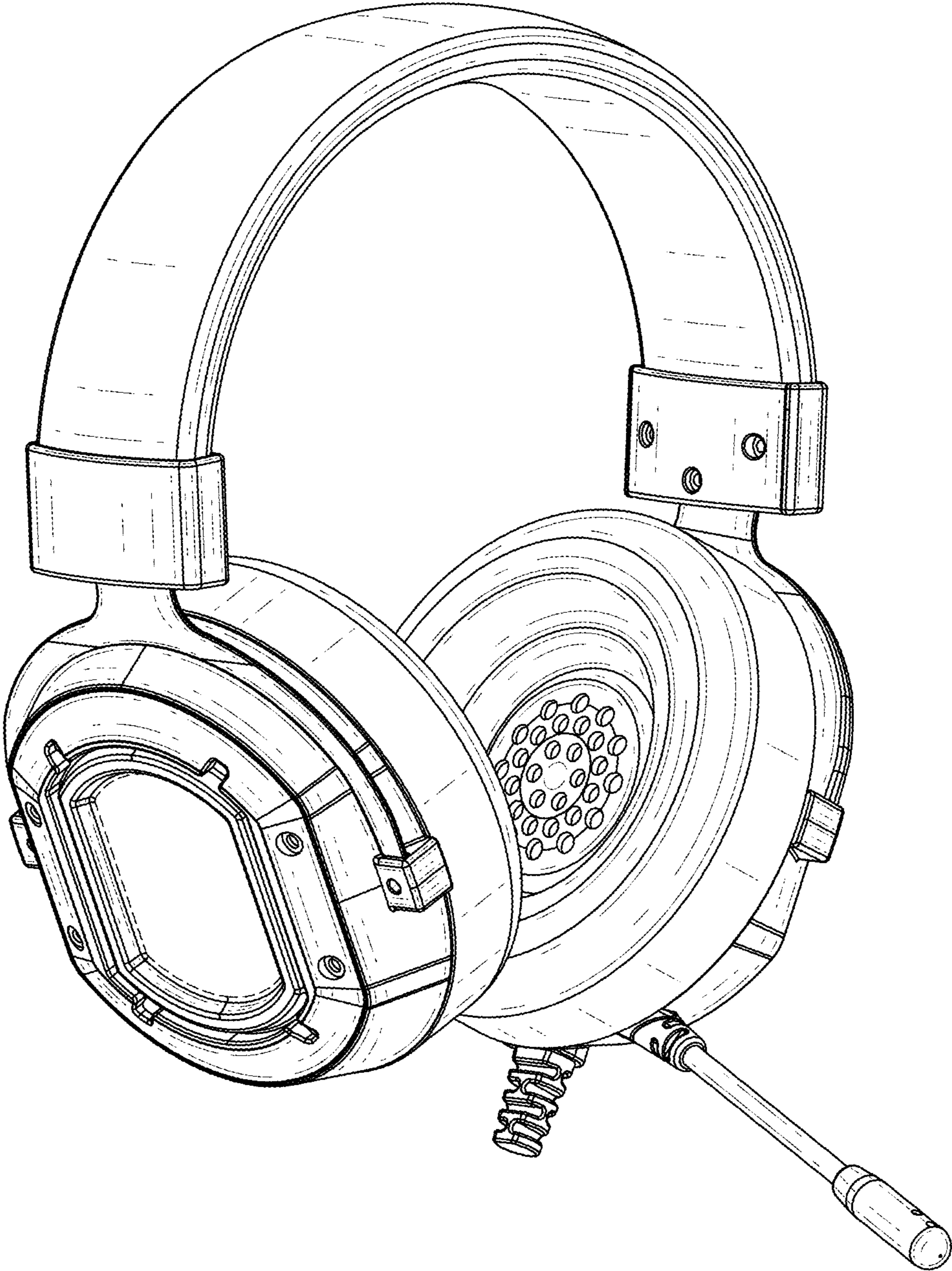


FIG. 1

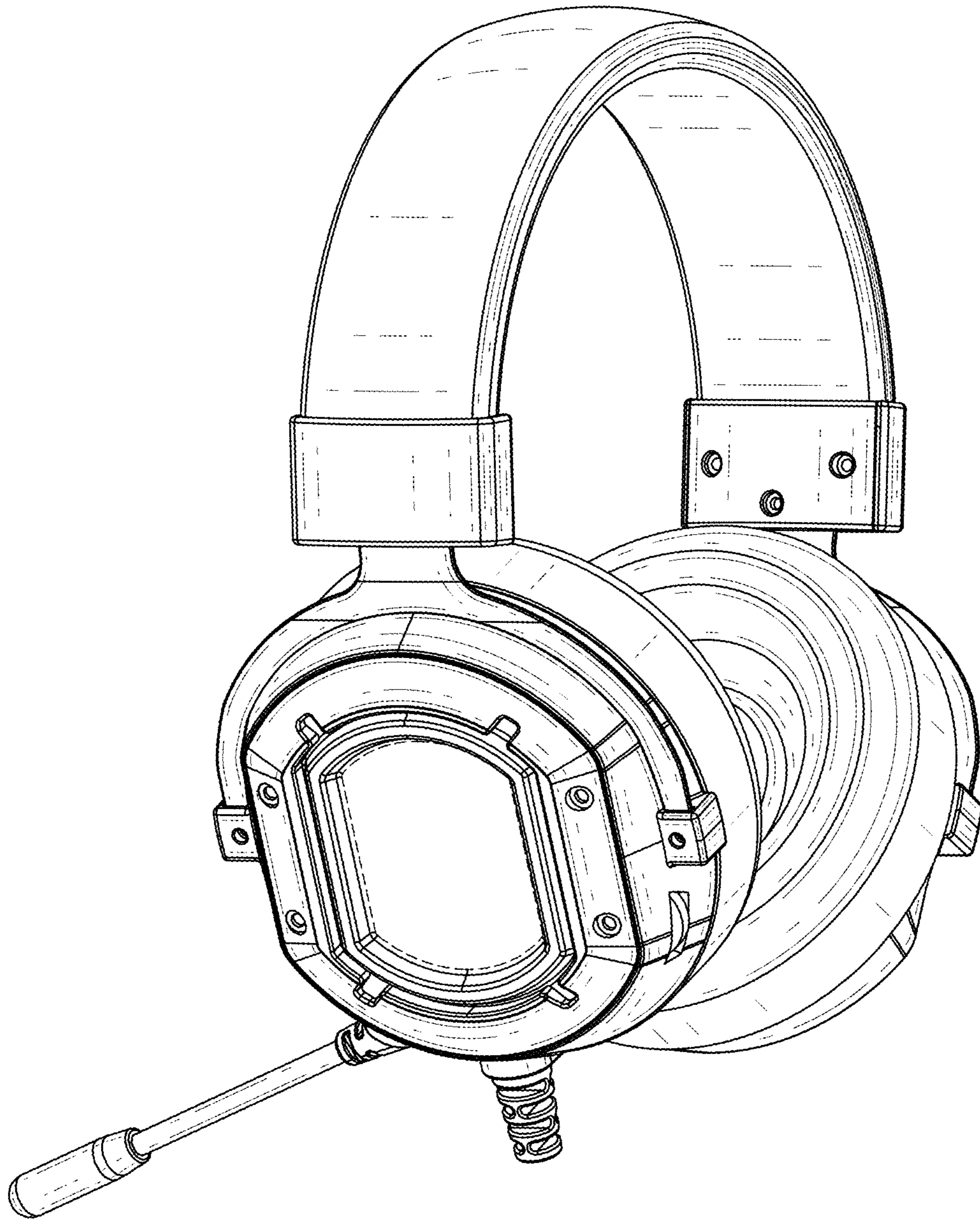


FIG. 2

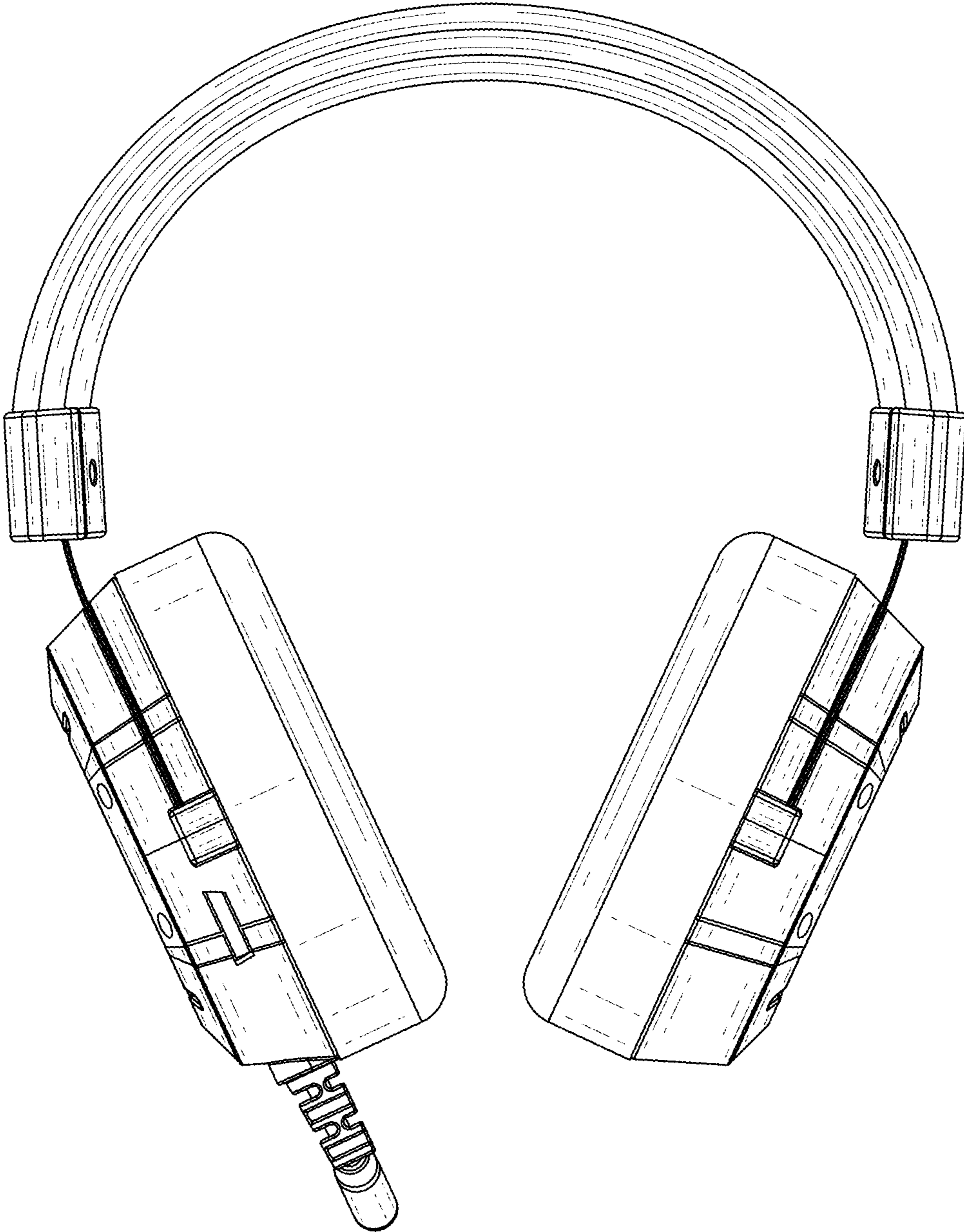


FIG. 3

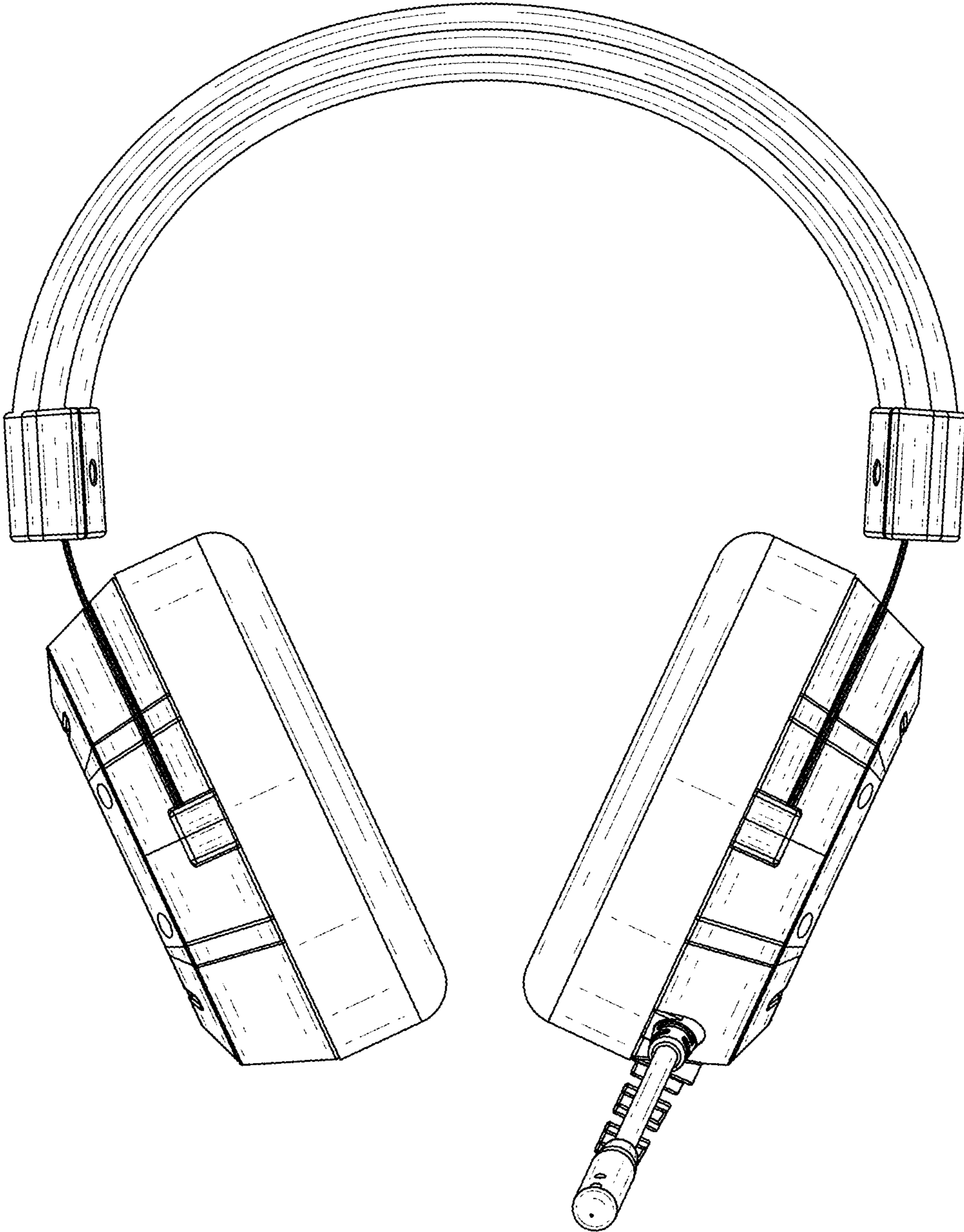


FIG. 4

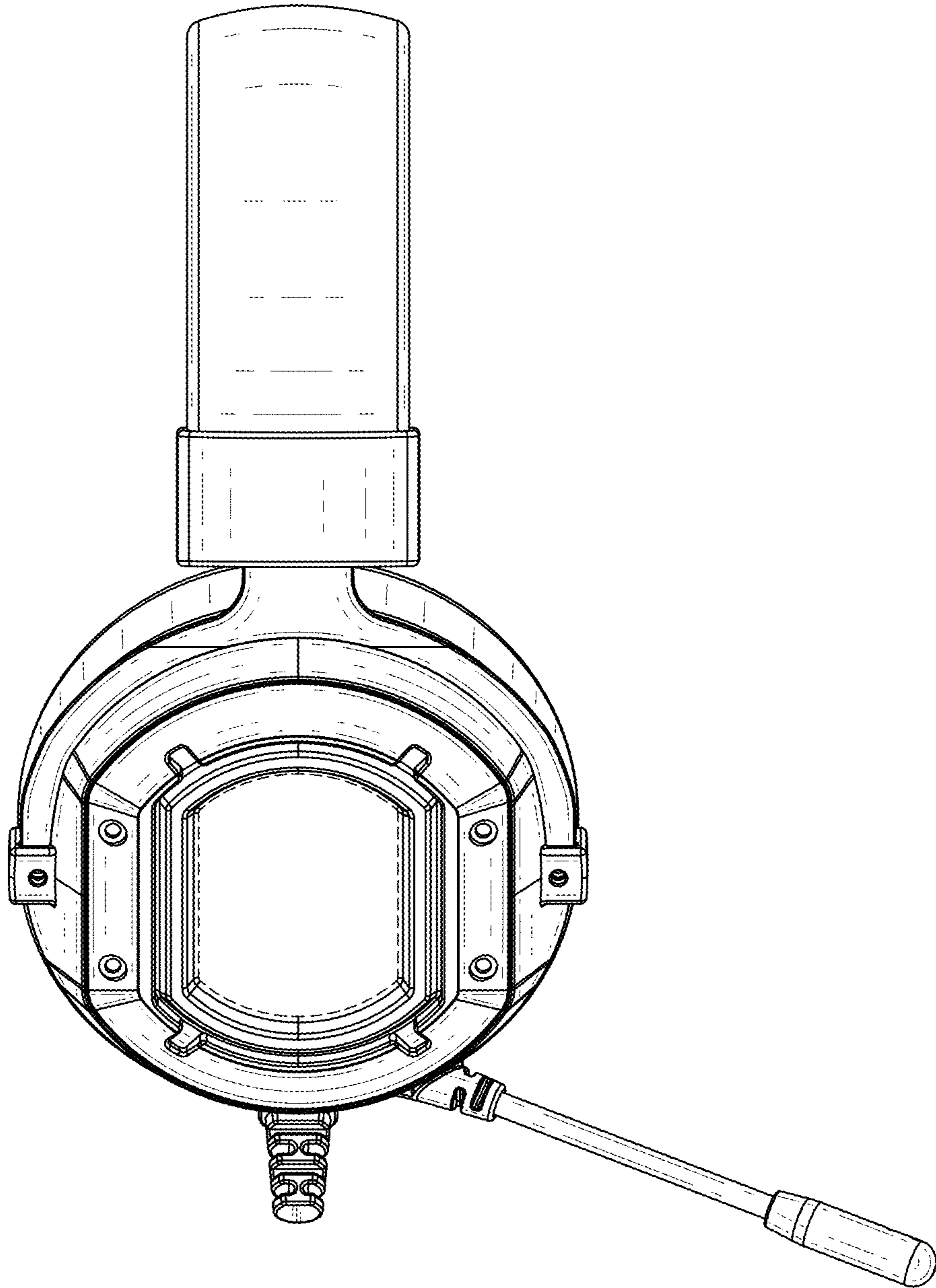


FIG. 5

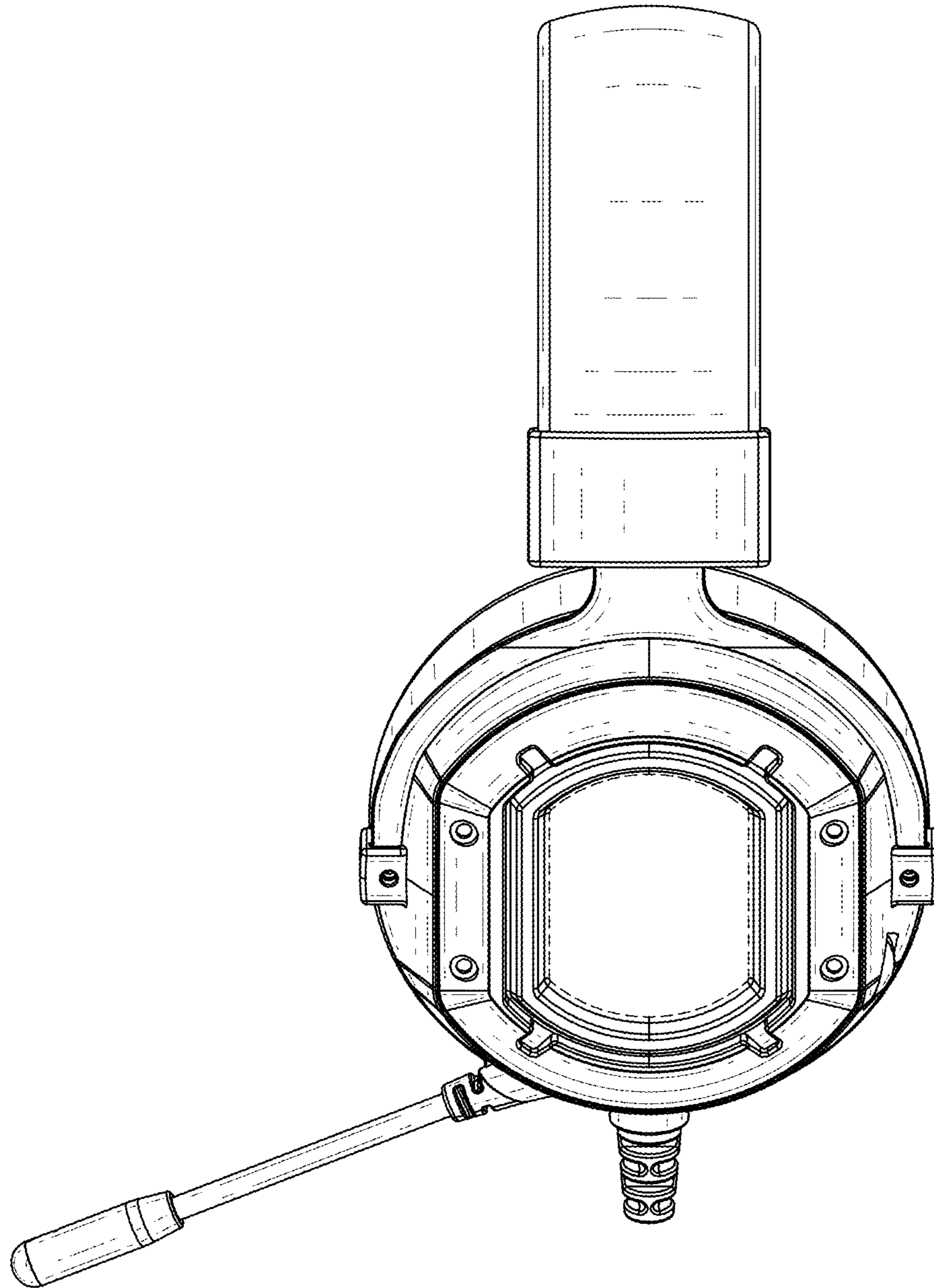


FIG. 6

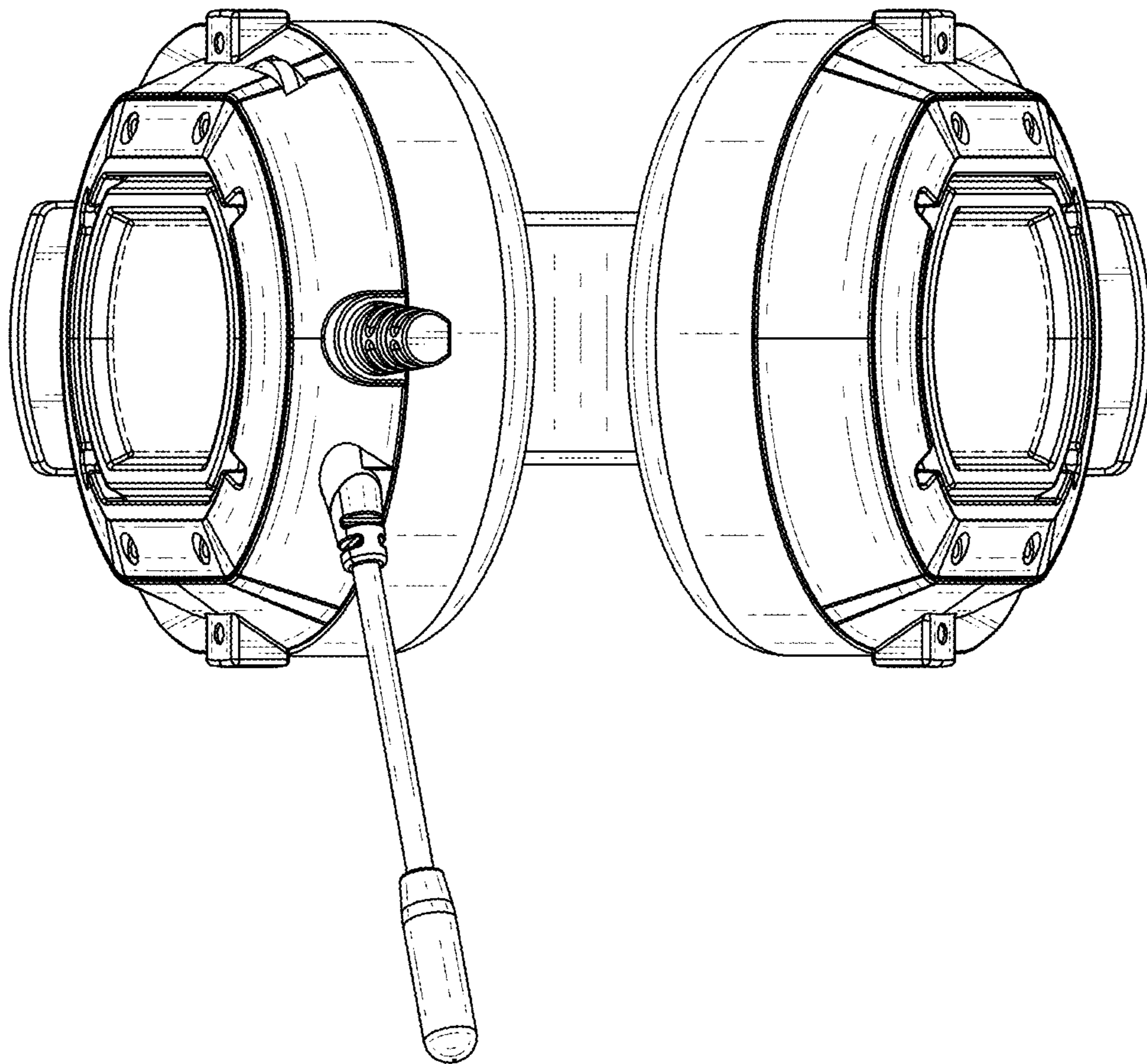


FIG. 7

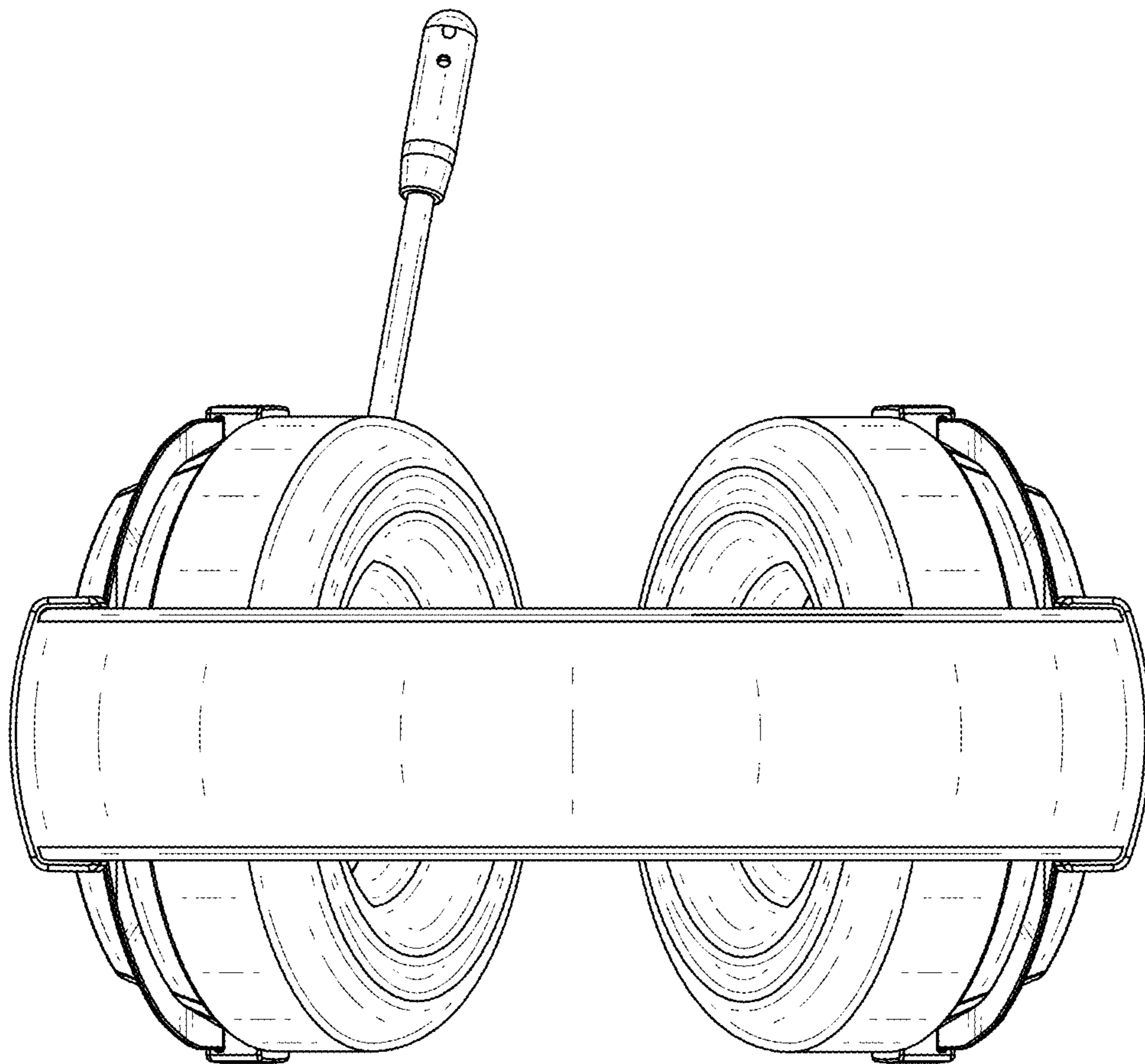


FIG. 8