



US00D890124S

(12) **United States Design Patent**
ShiXing

(10) **Patent No.:** **US D890,124 S**

(45) **Date of Patent:** **** Jul. 14, 2020**

(54) **CAT EAR HEADPHONES**

(71) Applicant: **Ruiboshi Technology (ShenZhen) Co., Ltd.**, Shenzhen (CN)

(72) Inventor: **He ShiXing**, Shanwei (CN)

(**) Term: **15 Years**

(21) Appl. No.: **29/730,877**

(22) Filed: **Apr. 9, 2020**

(51) **LOC (12) Cl.** **14-01**

(52) **U.S. Cl.**

USPC **D14/205**; D14/207

(58) **Field of Classification Search**

USPC D14/205, 207, 223, 188, 192; D29/112;
2/209; 381/380, 381, 374; 455/90.3,
455/575.1, 569.1; D21/617; 446/189
CPC H04R 25/00; H04R 25/02; H04R 1/1066;
H04R 1/1016; H04R 5/033; H04R
5/0335; H04R 1/02

See application file for complete search history.

(56) **References Cited**

U.S. PATENT DOCUMENTS

D155,702 S * 10/1949 Ganine D21/617
D166,603 S * 4/1952 Hartman D7/302
D180,052 S * 4/1957 Young D2/869
2,947,091 A * 8/1960 McCrary A63H 3/24
434/247
4,547,171 A * 10/1985 Horimoto A63H 3/02
446/370
D302,791 S * 8/1989 Ferrero D9/611
D348,349 S * 7/1994 Blackwell D2/872
5,517,695 A * 5/1996 Murray A42B 1/248
2/181.4
D380,023 S * 6/1997 Sisler D21/617
D382,562 S * 8/1997 Leifer D14/207
D383,136 S * 9/1997 Leifer D14/205
D386,182 S * 11/1997 Leifer D14/172
D390,588 S * 2/1998 Wang D16/310

D394,340 S * 5/1998 Kennard D2/869
D400,554 S * 11/1998 Wang D16/310
D431,550 S * 10/2000 Yoneda D14/205
D455,801 S * 4/2002 Chang D21/617
D458,759 S * 6/2002 Landauer D21/659
D482,393 S * 11/2003 Hui D19/116
D512,708 S * 12/2005 Harris, Jr. D14/205
D514,087 S * 1/2006 Wilson D14/206
D530,308 S * 10/2006 Topping D14/207
D538,261 S * 3/2007 Taylor D14/205
D541,255 S * 4/2007 Taylor D14/205
D573,581 S * 7/2008 Gondo D14/205
D585,871 S * 2/2009 Lee D14/205
D589,682 S * 4/2009 Knab D2/869

(Continued)

FOREIGN PATENT DOCUMENTS

EM 004669943-0001 * 1/2018
EM 007685730-0001 * 2/2020

Primary Examiner — Paula Allen Greene

(74) *Attorney, Agent, or Firm* — KA Filing LLC; Wayne V. Harper; Cynthia Ward Flanigan

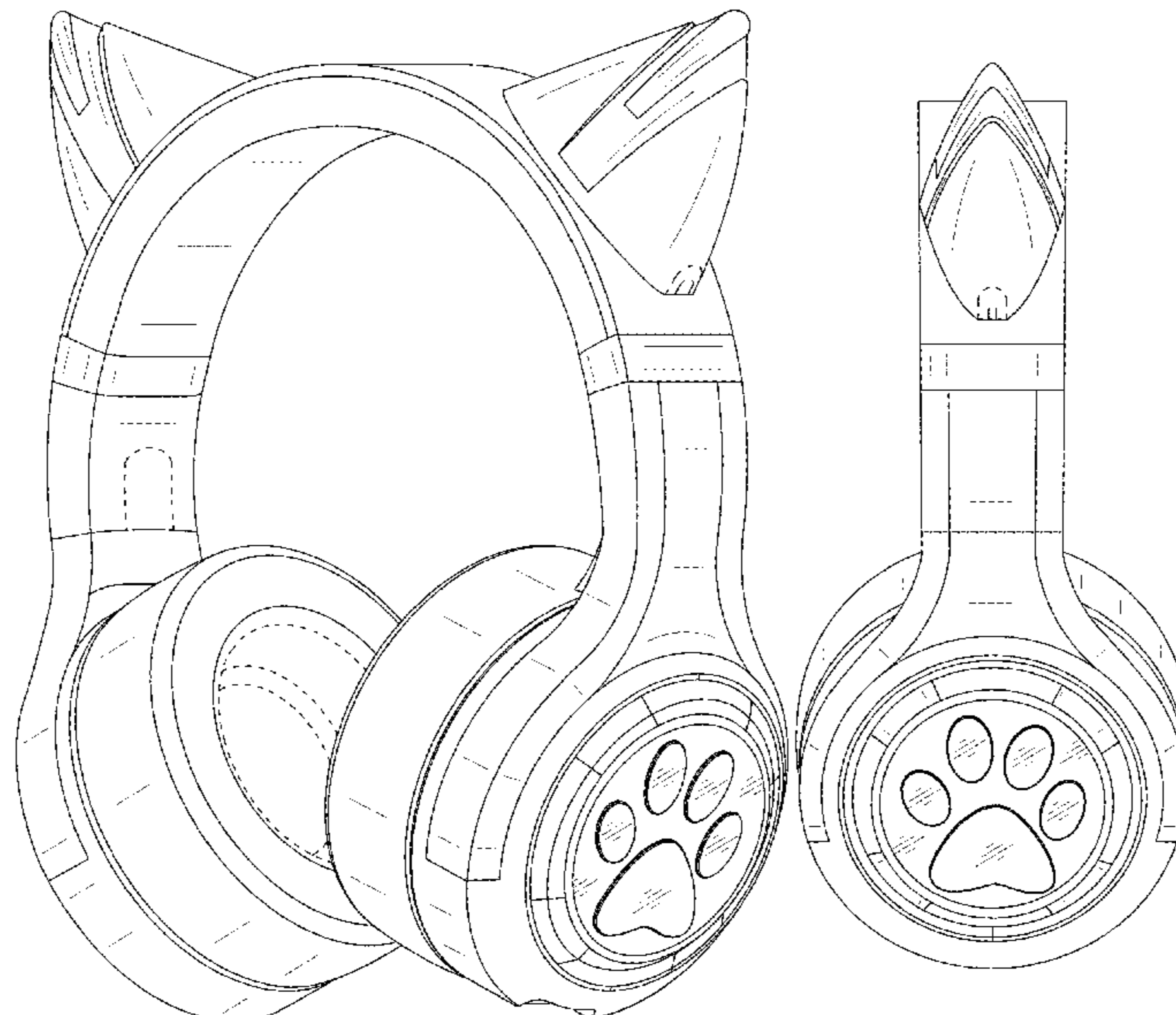
(57) **CLAIM**

I claim the ornamental design for a cat ear headphones, as shown and described.

DESCRIPTION

FIG. 1 is a Perspective view of a cat ear headphones showing my new design;
FIG. 2 is a Front view thereof;
FIG. 3 is a Back view thereof;
FIG. 4 is a Left-side view thereof;
FIG. 5 is a Right-side view thereof;
FIG. 6 is a Top view thereof; and,
FIG. 7 is a Bottom view thereof.
The broken lines are directed to environment that is for illustrative purposes only; the broken lines form no part of the claimed design.

1 Claim, 7 Drawing Sheets



(56)

References Cited

U.S. PATENT DOCUMENTS

D589,684 S * 4/2009 Knab D2/869
 D643,065 S * 8/2011 van der Lande D19/142
 D657,006 S * 4/2012 Wallick D21/576
 D665,775 S * 8/2012 Katsumata D14/205
 D677,648 S * 3/2013 Lee D14/206
 D685,283 S * 7/2013 Katoh D11/1
 8,559,665 B2 * 10/2013 Schmidt H04R 1/1066
 381/370
 8,732,919 B1 * 5/2014 Malueg-Ray A61G 17/08
 27/1
 D711,347 S * 8/2014 Gan H04R 1/1066
 D14/205
 D716,760 S * 11/2014 Brunner D14/206
 D717,764 S * 11/2014 Lee D14/205
 D717,767 S * 11/2014 Mistry D14/206
 D719,136 S * 12/2014 Schaal D14/205
 D721,052 S * 1/2015 Carr D14/205
 D729,196 S * 5/2015 Liu D14/205
 D733,092 S * 6/2015 Gan D14/205
 D757,679 S * 5/2016 Yan D14/205
 D758,508 S * 6/2016 Chuang D21/617
 D759,339 S * 6/2016 Smith D99/5
 D782,120 S * 3/2017 Patel D29/122
 D795,837 S * 8/2017 Cai D14/205
 D800,691 S * 10/2017 Ando D14/205

D801,948 S 11/2017 Picunko
 D808,358 S * 1/2018 Dennis D14/205
 D812,594 S * 3/2018 Katopis D14/223
 D813,195 S * 3/2018 Huang D14/205
 D815,060 S * 4/2018 Ando D14/205
 10,021,487 B2 * 7/2018 Yan H04R 5/0335
 D828,326 S * 9/2018 Ye D14/205
 D836,084 S * 12/2018 Xie D14/205
 D863,253 S 10/2019 He
 D868,026 S * 11/2019 Hardi D14/205
 D868,729 S * 12/2019 Czaniecki D14/205
 D868,733 S * 12/2019 Luo D14/205
 D869,433 S 12/2019 Huan
 D869,437 S * 12/2019 Hu D14/205
 D879,065 S * 3/2020 Chan D14/205
 D879,742 S * 3/2020 Hu D14/205
 D881,157 S * 4/2020 Chen D14/205
 D884,669 S * 5/2020 Zhong D14/205
 2006/0010913 A1 * 1/2006 Torres A44C 25/00
 63/23
 2009/0032051 A1 * 2/2009 Defenbaugh A45D 8/20
 132/277
 2011/0132269 A1 * 6/2011 Davidson A45F 5/02
 119/161
 2011/0169183 A1 * 7/2011 Axelrod A01K 15/026
 264/46.4
 2012/0068396 A1 * 3/2012 Wirth, Jr. B23Q 1/032
 269/289 R

* cited by examiner

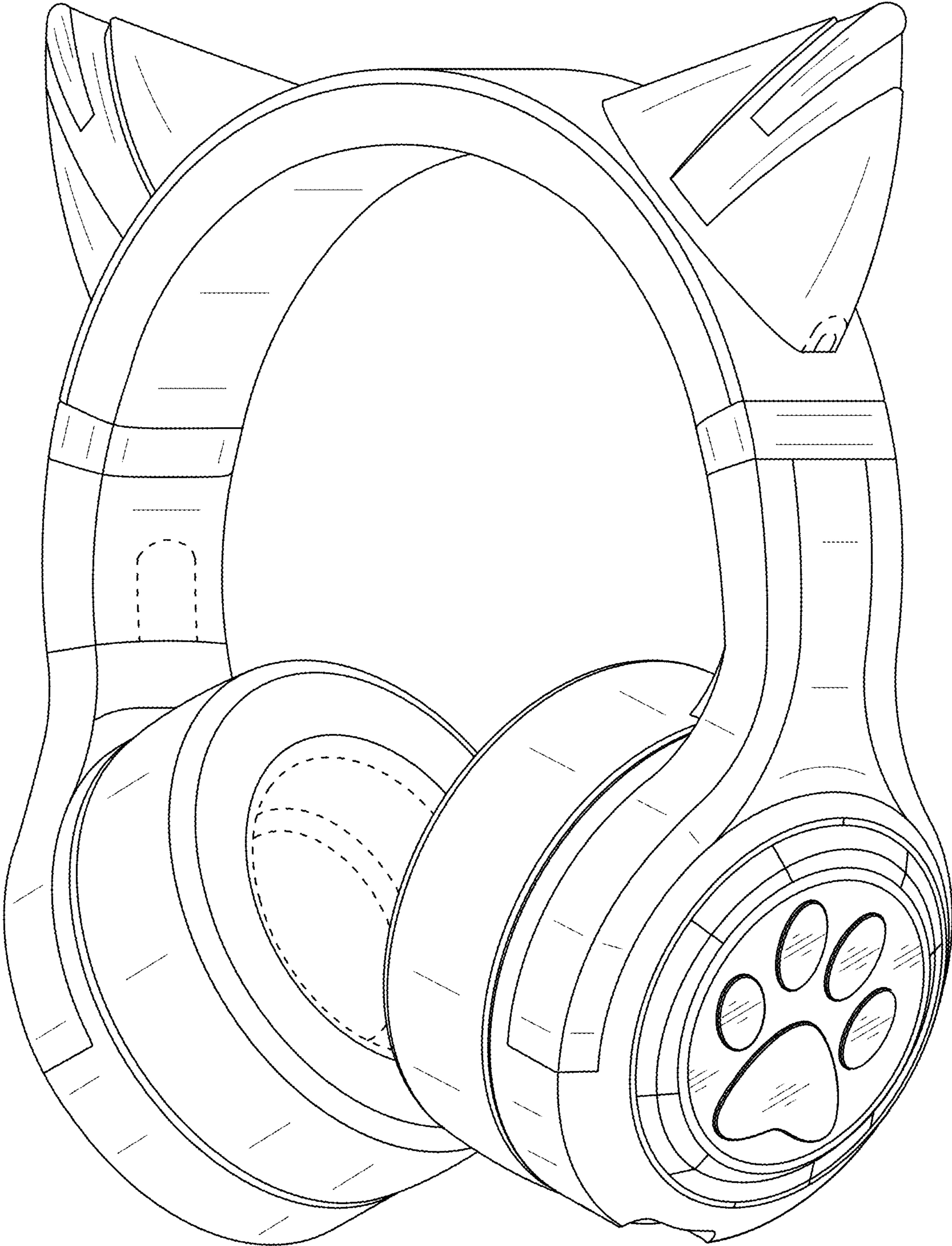


FIG. 1



FIG. 2



FIG. 3

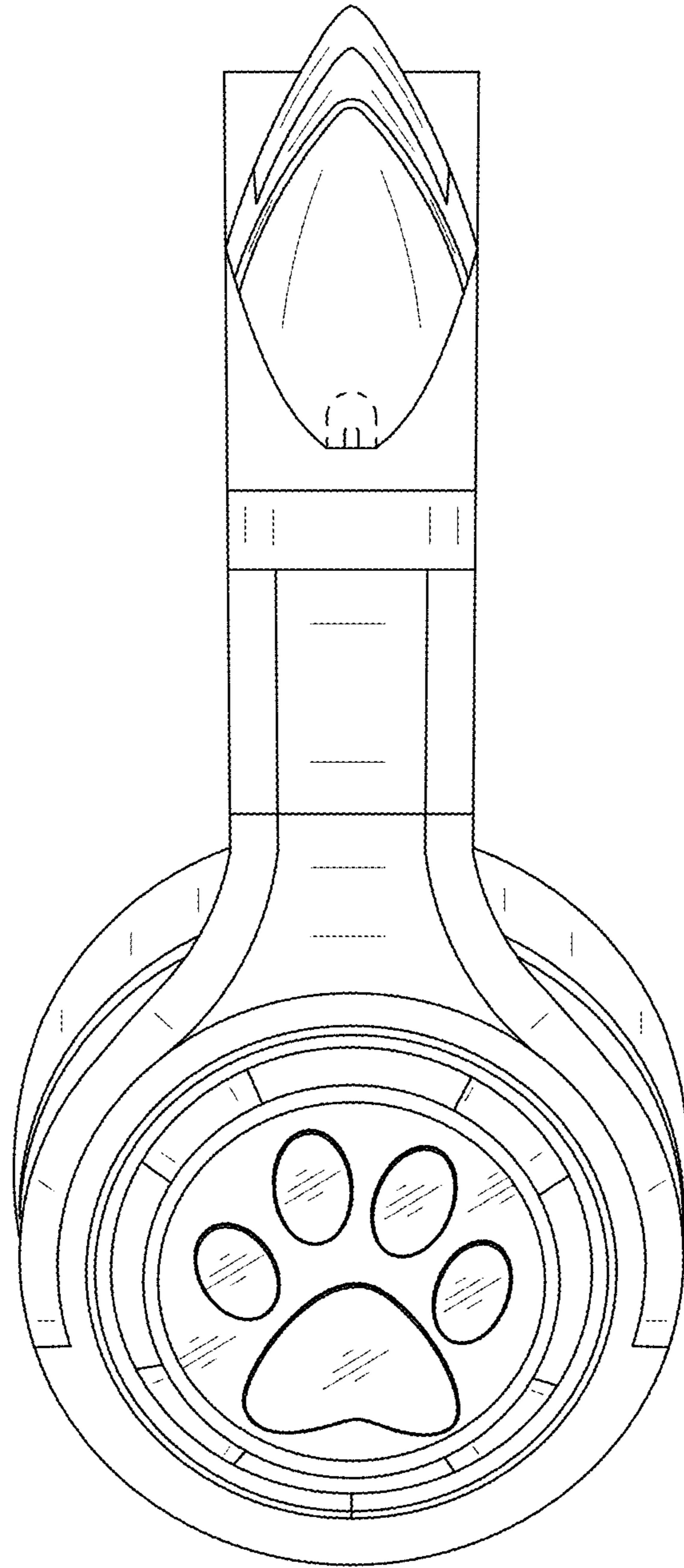


FIG. 4

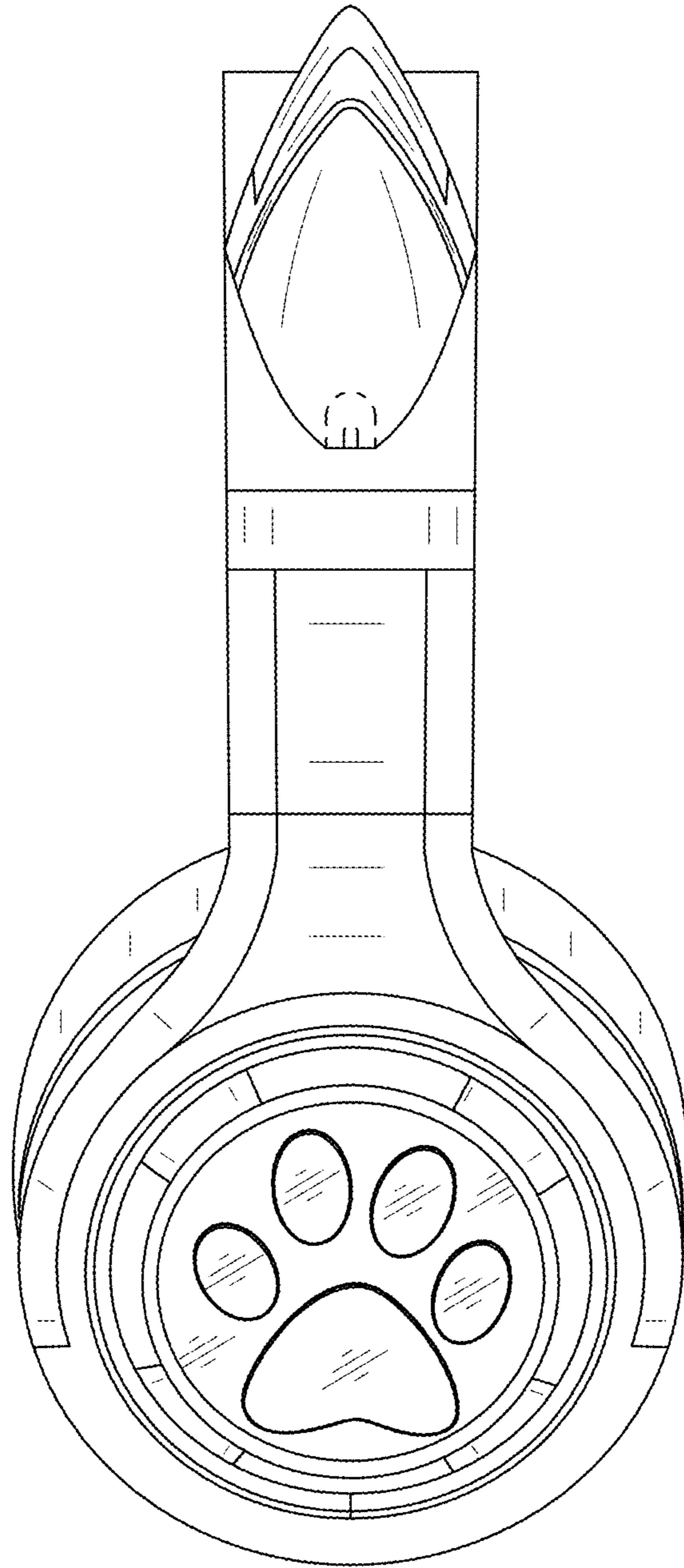


FIG. 5

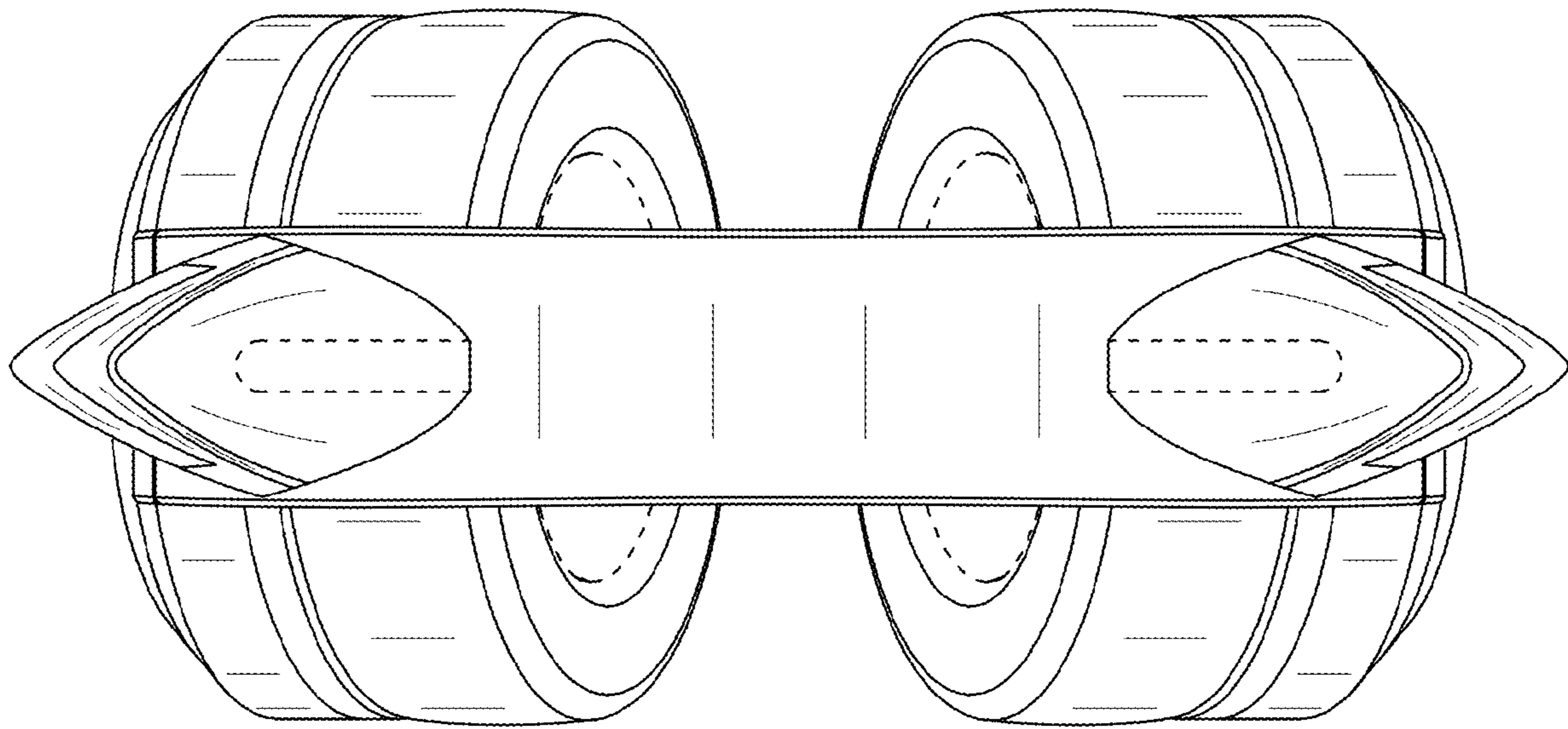


FIG. 6

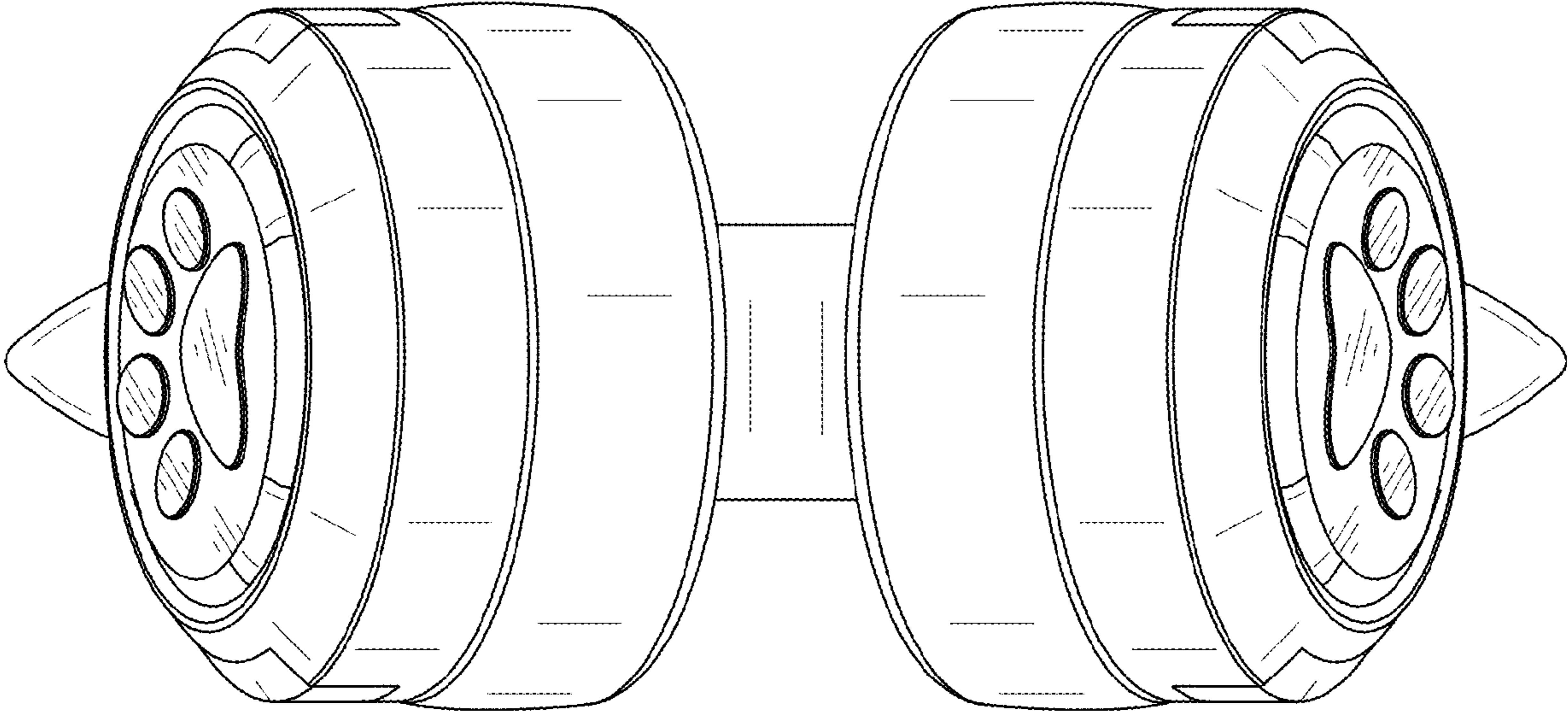


FIG. 7