



US00D890123S

(12) **United States Design Patent**  
**Yoshimura**

(10) **Patent No.:** **US D890,123 S**

(45) **Date of Patent:** **\*\* Jul. 14, 2020**

(54) **HEADPHONE**

(71) Applicant: **JVC KENWOOD Corporation**,  
Yokohama-shi, Kanagawa (JP)

(72) Inventor: **Satoshi Yoshimura**, Yokohama (JP)

(73) Assignee: **JVC KENWOOD CORPORATION**,  
Yokohama-Shi, Kanagawa (JP)

(\*\*) Term: **15 Years**

(21) Appl. No.: **29/680,598**

(22) Filed: **Feb. 18, 2019**

(30) **Foreign Application Priority Data**

Aug. 22, 2018 (JP) ..... 2018-018220

(51) **LOC (12) Cl.** ..... **14-01**

(52) **U.S. Cl.**  
USPC ..... **D14/205**

(58) **Field of Classification Search**  
USPC ..... D14/205, 188, 192; D29/112; 2/209;  
381/374; 455/90.3

CPC ..... H04R 1/10; H04R 25/00; H04R 1/1066;  
H04R 1/1016; H04R 5/033; H04R  
5/0335; H04R 1/1091

See application file for complete search history.

(56) **References Cited**

**U.S. PATENT DOCUMENTS**

- D286,772 S \* 11/1986 Pope ..... D14/205
- 4,689,822 A \* 8/1987 Houg ..... H04R 1/1066  
381/371
- D328,074 S \* 7/1992 Yamazaki ..... D14/205
- D346,802 S \* 5/1994 Sacherman ..... D14/206
- D348,465 S \* 7/1994 Yamatogi ..... D14/205
- D351,597 S \* 10/1994 Nakamura ..... D14/205
- 5,420,935 A \* 5/1995 Shinohara ..... H04R 1/1016  
381/370
- D371,558 S \* 7/1996 Yoshizawa ..... D14/205

- D386,181 S \* 11/1997 Fisher ..... D14/192
- 5,793,878 A \* 8/1998 Chang ..... H04R 5/0335  
381/370
- D399,206 S \* 10/1998 Yasutomi ..... D14/205
- D435,249 S \* 12/2000 Yasutomi ..... D14/205
- D484,485 S \* 12/2003 Matsuoka ..... D14/205
- D505,411 S \* 5/2005 Sakai ..... D14/192
- 7,072,483 B2 \* 7/2006 Lenhard-Backhaus .....  
H04R 1/1066  
381/370
- D534,155 S \* 12/2006 Obata ..... D14/205
- D534,156 S \* 12/2006 Obata ..... D14/205
- 7,388,960 B2 \* 6/2008 Kuo ..... H04R 1/1041  
379/430
- D573,581 S \* 7/2008 Gondo ..... D14/205
- D588,098 S \* 3/2009 Kurihara ..... D14/205

(Continued)

**FOREIGN PATENT DOCUMENTS**

- CN 305509821 \* 12/2019
- CN 305670189 \* 3/2020

*Primary Examiner* — Paula Allen Greene

(74) *Attorney, Agent, or Firm* — Nath, Goldberg &  
Meyer; Jerald L. Meyer

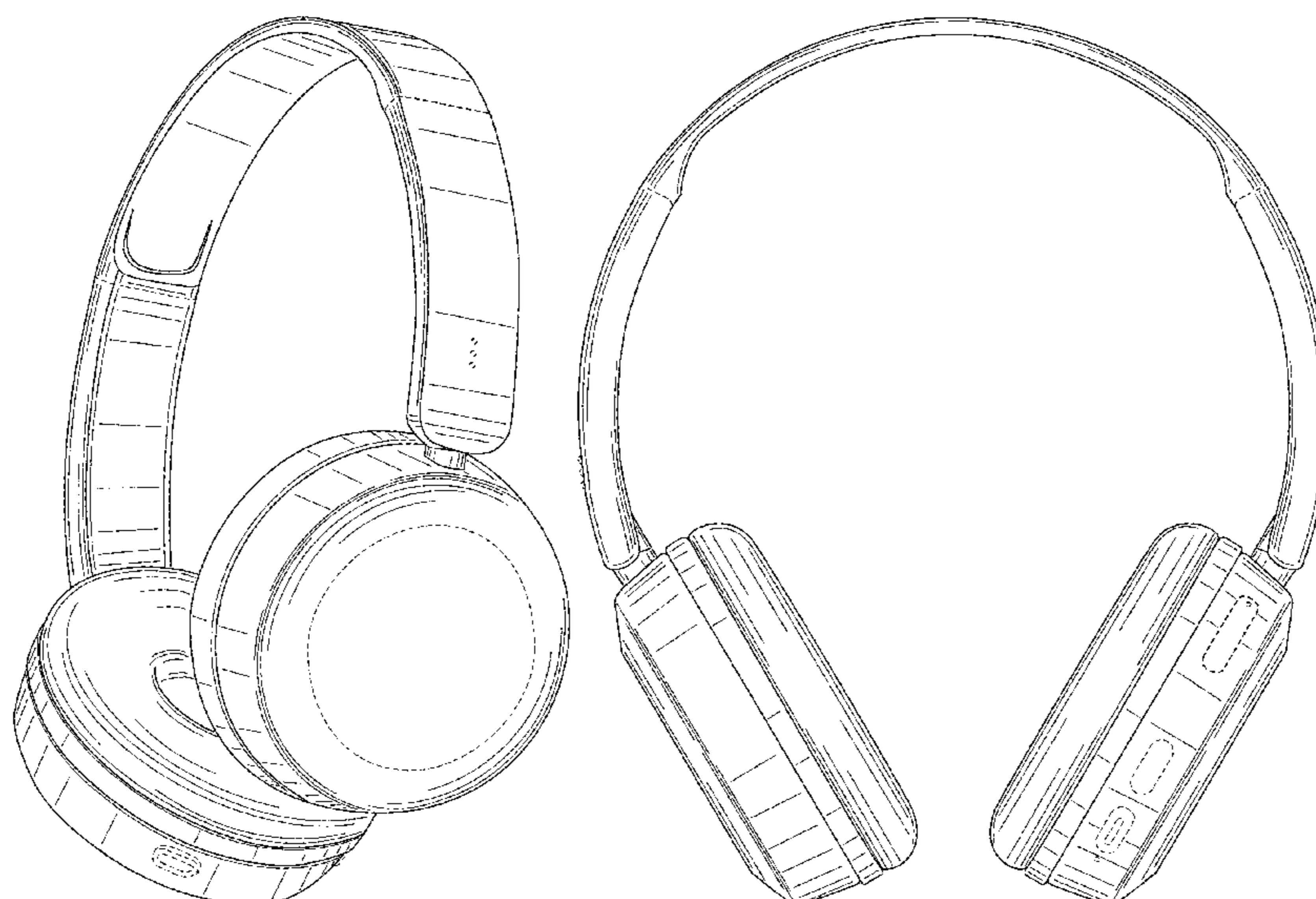
(57) **CLAIM**

The ornamental design for headphone, as shown and described.

**DESCRIPTION**

FIG. 1 is a perspective view of a headphone, FIG. 2 is a front elevational view thereof, FIG. 3 is a rear elevational view thereof, FIG. 4 is a top plan view thereof, FIG. 5 is a bottom plan view thereof, FIG. 6 is a left side elevational view thereof; and, FIG. 7 is a right side elevational view thereof. In the drawing the claimed design is defined by the shaded surfaces, the broken lines depict unclaimed environment that forms no part of the claimed design.

**1 Claim, 5 Drawing Sheets**



(56)

References Cited

U.S. PATENT DOCUMENTS

D591,263 S \* 4/2009 Shimizu ..... D14/205  
 D593,995 S \* 6/2009 Shimizu ..... D14/205  
 D625,705 S \* 10/2010 Ohori ..... D14/205  
 D634,298 S \* 3/2011 Shimizu ..... D14/205  
 8,098,872 B2 \* 1/2012 Chang ..... H04R 1/1075  
 381/370  
 8,295,529 B2 \* 10/2012 Petersen ..... H04R 1/083  
 381/371  
 D673,136 S \* 12/2012 Kelly ..... D14/205  
 D683,329 S \* 5/2013 Hagelin ..... D14/205  
 D722,197 S \* 2/2015 Helmbold ..... D28/44  
 D728,512 S \* 5/2015 Nakagawa ..... D14/205  
 D729,196 S \* 5/2015 Liu ..... D14/205  
 9,031,254 B2 \* 5/2015 Heise ..... H04R 1/1066  
 379/55.1  
 D733,090 S \* 6/2015 Petersen ..... D14/205  
 D746,790 S \* 1/2016 Strasberg ..... D14/205  
 D763,226 S \* 8/2016 Petersen ..... D14/205  
 D790,503 S \* 6/2017 Lok ..... D14/205  
 D796,477 S \* 9/2017 Minn ..... D14/205

D806,675 S \* 1/2018 Fuglsang ..... D14/206  
 D807,322 S \* 1/2018 Damboulev ..... D14/205  
 D807,323 S \* 1/2018 Wang ..... D14/205  
 D809,478 S \* 2/2018 Arimoto ..... D14/205  
 D826,894 S \* 8/2018 Zhang ..... D14/205  
 D838,687 S \* 1/2019 Wu ..... D14/205  
 D840,970 S \* 2/2019 Dryden ..... D14/205  
 D840,971 S \* 2/2019 Summerson ..... D14/205  
 D840,973 S \* 2/2019 Dryden ..... D14/205  
 D856,303 S \* 8/2019 Ando ..... D14/205  
 D858,481 S \* 9/2019 Saule ..... D14/205  
 D858,483 S \* 9/2019 Hu ..... D14/205  
 D876,388 S \* 2/2020 Carr ..... D14/205  
 D877,714 S \* 3/2020 Dhondt ..... D14/205  
 D879,742 S \* 3/2020 Hu ..... D14/205  
 D881,157 S \* 4/2020 Chen ..... D14/205  
 2010/0135515 A1 \* 6/2010 Walsh ..... H04R 1/1008  
 381/374  
 2010/0310093 A1 \* 12/2010 Semcken ..... H04R 1/1058  
 381/104  
 2016/0198250 A1 \* 7/2016 Pan ..... G06F 3/0304  
 381/74

\* cited by examiner

Fig. 1

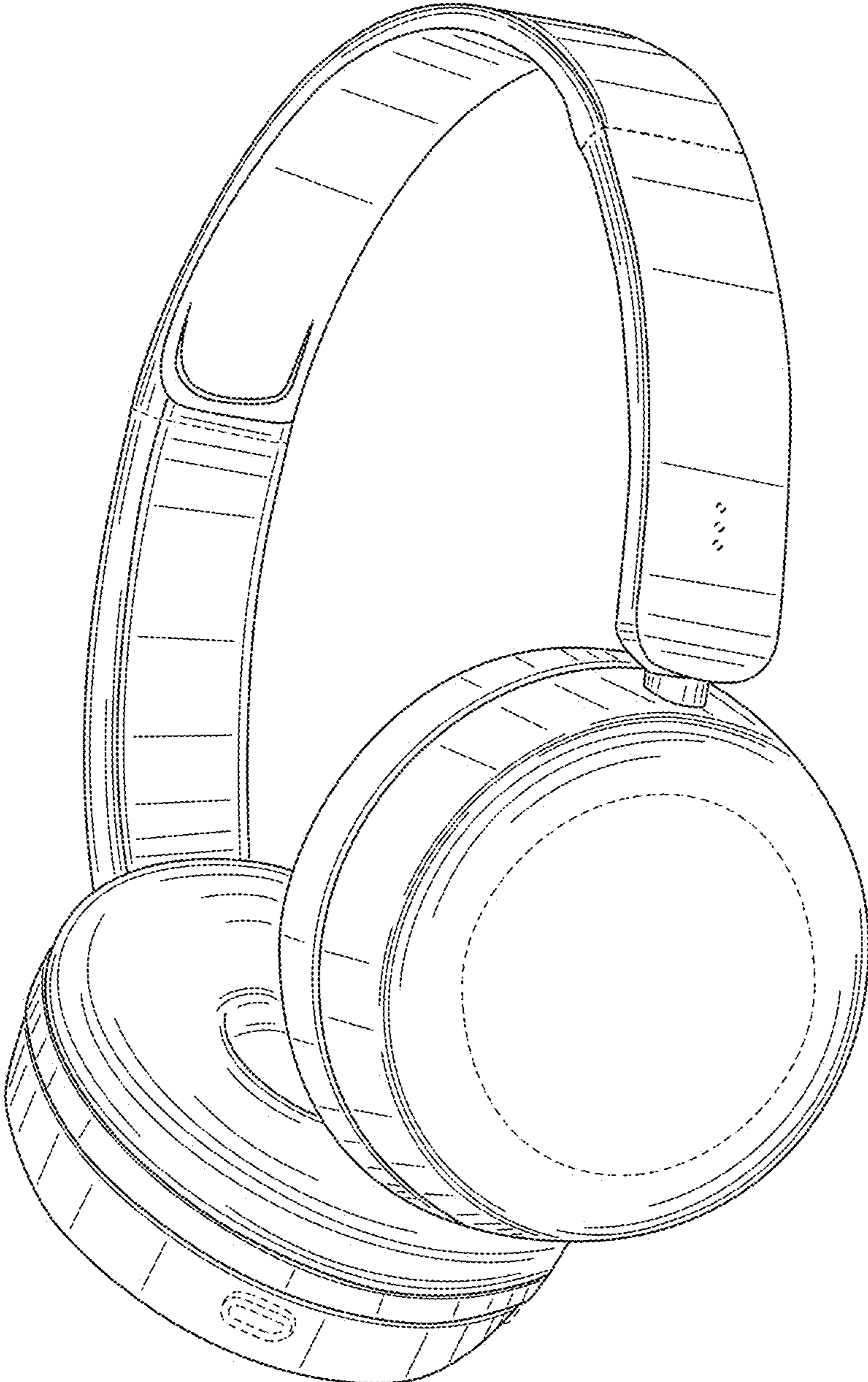


Fig.2

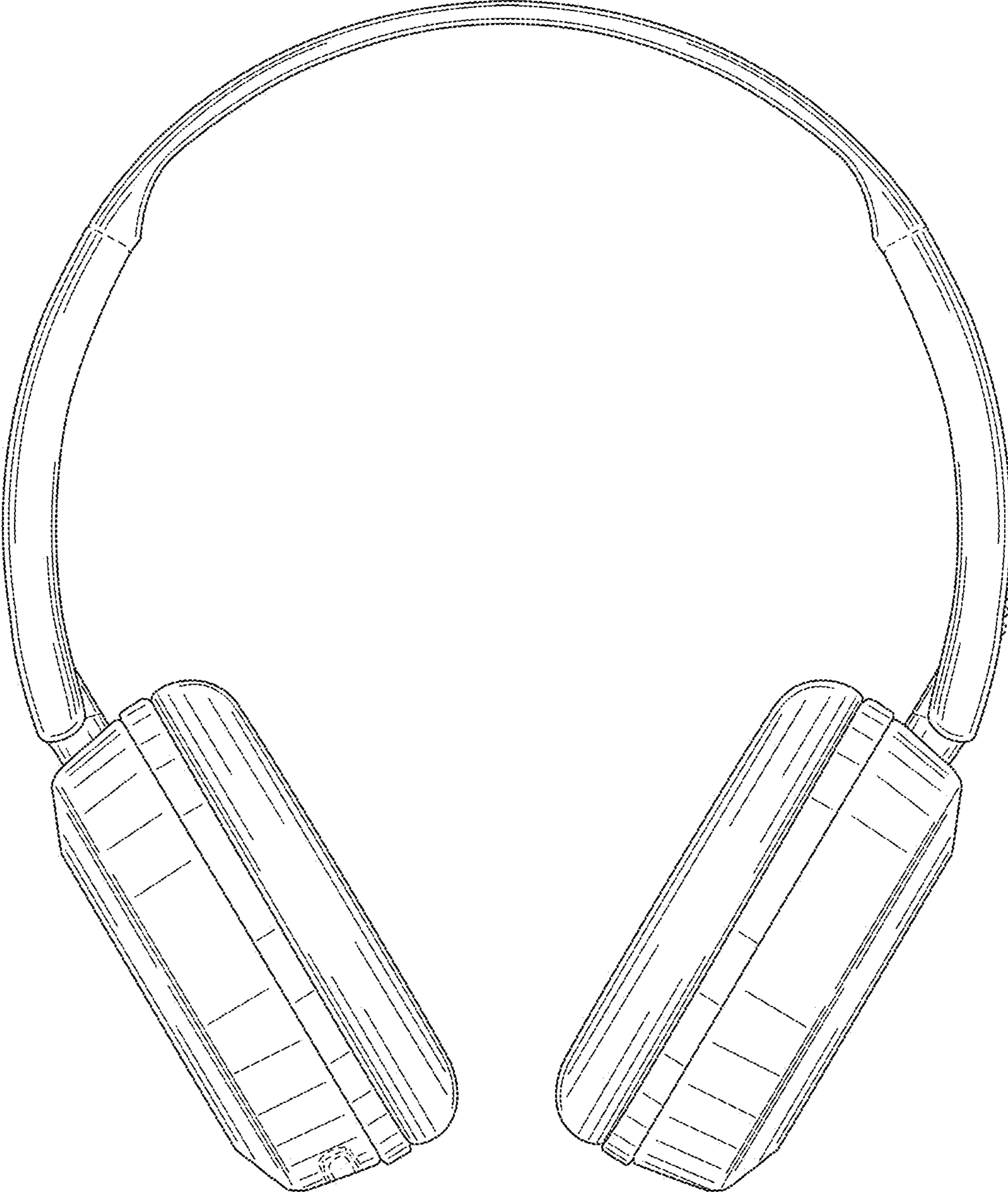


Fig.3

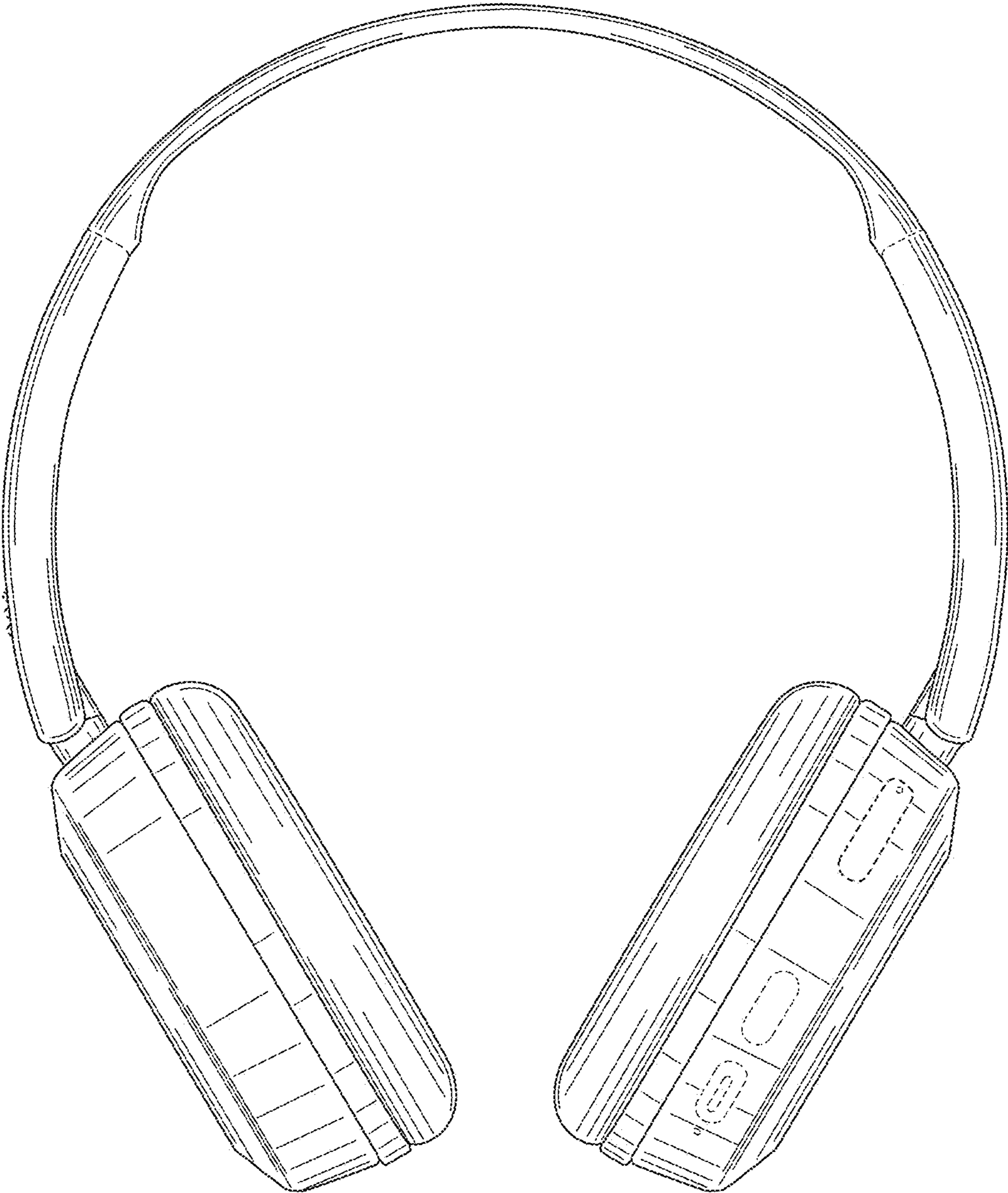


Fig.4

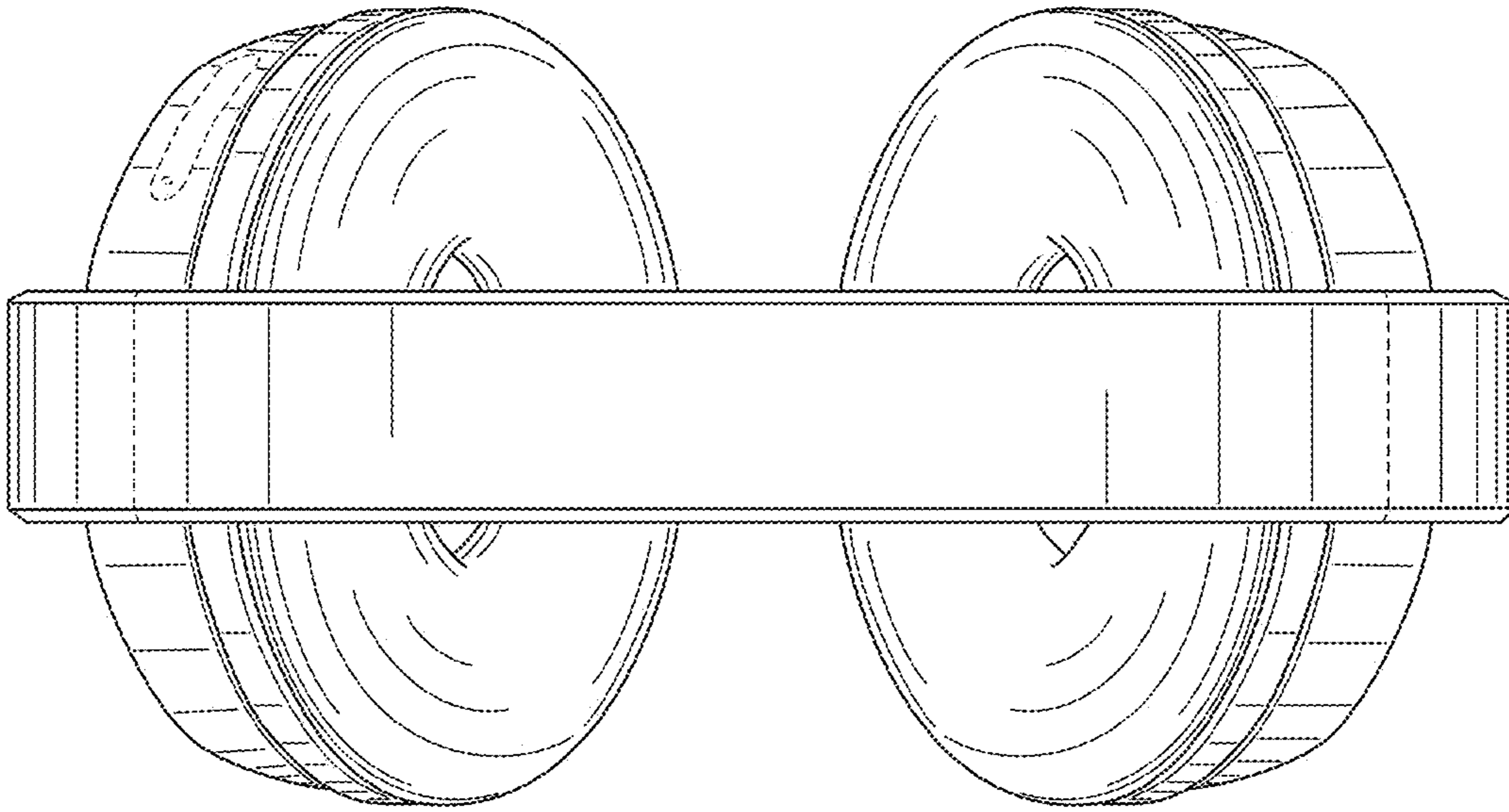


Fig.5

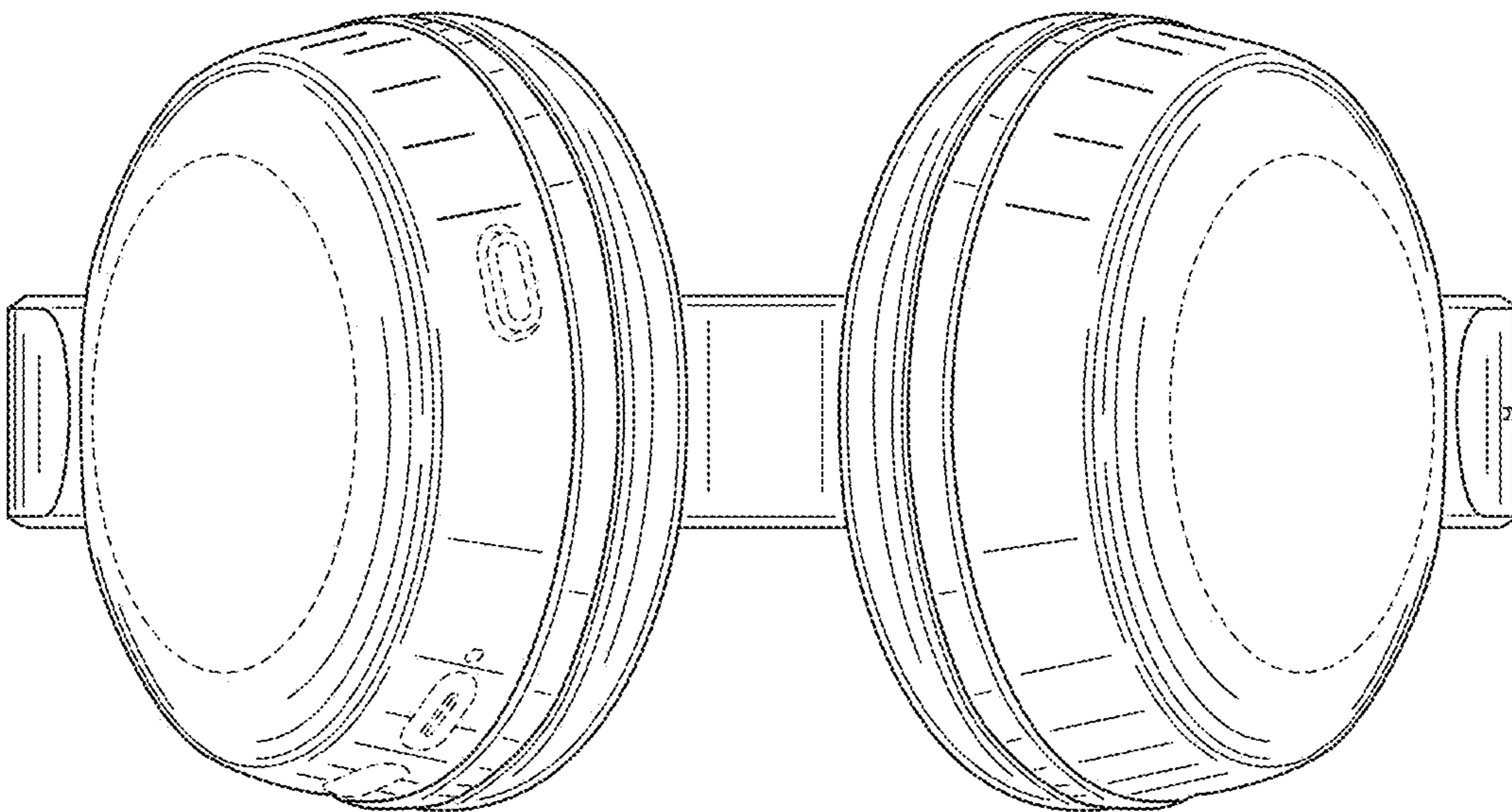


Fig.6

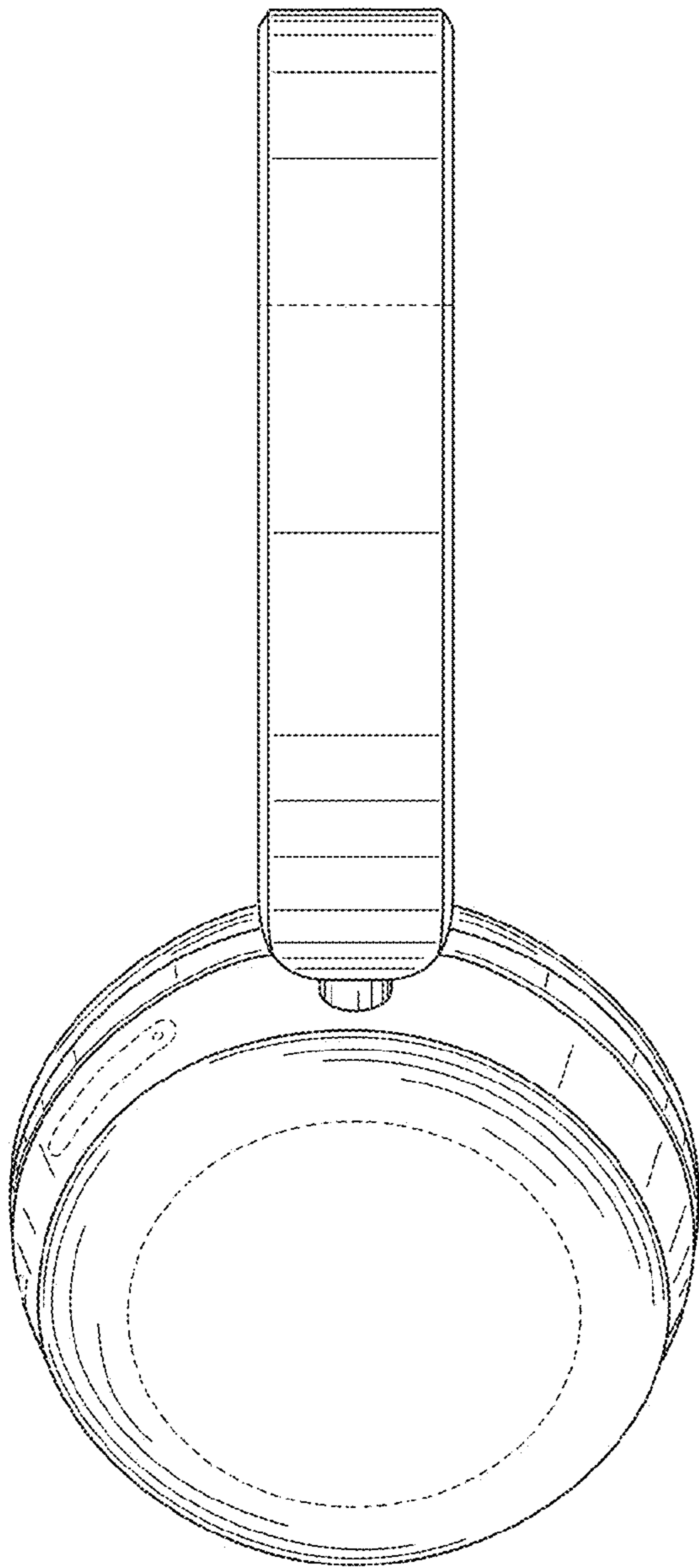


Fig.7

