



US00D890122S

(12) **United States Design Patent**
Krakovskiy

(10) **Patent No.:** **US D890,122 S**

(45) **Date of Patent:** **** Jul. 14, 2020**

(54) **PAIR OF WIRELESS EARBUDS**

(71) Applicant: **DigiOrange Inc.**, Brooklyn, NY (US)

(72) Inventor: **Alex Krakovskiy**, Brooklyn, NY (US)

(73) Assignee: **DIGIORANGE INC.**, Brooklyn, NY (US)

(**) Term: **15 Years**

(21) Appl. No.: **29/661,775**

(22) Filed: **Aug. 30, 2018**

(51) **LOC (12) Cl.** **14-01**

(52) **U.S. Cl.**
USPC **D14/205; D14/223**

(58) **Field of Classification Search**
USPC D14/496, 214, 172, 216, 223, 204, 205
CPC H04R 1/02; H04R 1/021; H04R 1/026;
H04R 1/028; H04R 1/403; H04R 1/2803;
H04R 5/02; H04R 9/06; H04R 9/13;
H04R 2201/021; H04R 2400/00; H04R
2499/11

See application file for complete search history.

(56) **References Cited**

U.S. PATENT DOCUMENTS

| | | | | | | | |
|-----------|---|---|---------|-----------|-------|-------------|---------|
| 2,881,850 | A | * | 4/1959 | Bonn | | H04R 1/2888 | 181/153 |
| D186,892 | S | * | 12/1959 | Wilber | | D14/211 | |
| 4,221,927 | A | * | 9/1980 | Dankman | | A63H 3/28 | 367/198 |
| D573,977 | S | * | 7/2008 | Ledbetter | | D14/205 | |
| D679,267 | S | * | 4/2013 | Lee | | D14/223 | |
| D740,249 | S | * | 10/2015 | Park | | D14/188 | |

| | | | | | | | |
|----------|---|---|---------|--------------|-------|---------|--|
| D740,255 | S | * | 10/2015 | Samrelius | | D14/206 | |
| D796,488 | S | * | 9/2017 | Yoshimura | | D14/223 | |
| D796,489 | S | * | 9/2017 | Arimoto | | D14/223 | |
| D801,314 | S | * | 10/2017 | Akana | | D14/223 | |
| D803,184 | S | * | 11/2017 | Loh Jun Kern | | D14/205 | |
| D832,824 | S | * | 11/2018 | Kim | | D14/223 | |
| D848,980 | S | * | 5/2019 | Kim | | D14/223 | |
| D864,165 | S | * | 10/2019 | Roberts | | D14/223 | |
| D875,070 | S | * | 2/2020 | Carr | | D14/205 | |
| D875,071 | S | * | 2/2020 | Wei | | D14/205 | |
| D875,710 | S | * | 2/2020 | Bailey | | D14/205 | |
| D875,713 | S | * | 2/2020 | Kim | | D14/205 | |
| D875,714 | S | * | 2/2020 | Kim | | D14/205 | |

* cited by examiner

Primary Examiner — Cynthia R Underwood

(74) *Attorney, Agent, or Firm* — DLA Piper LLP (US)

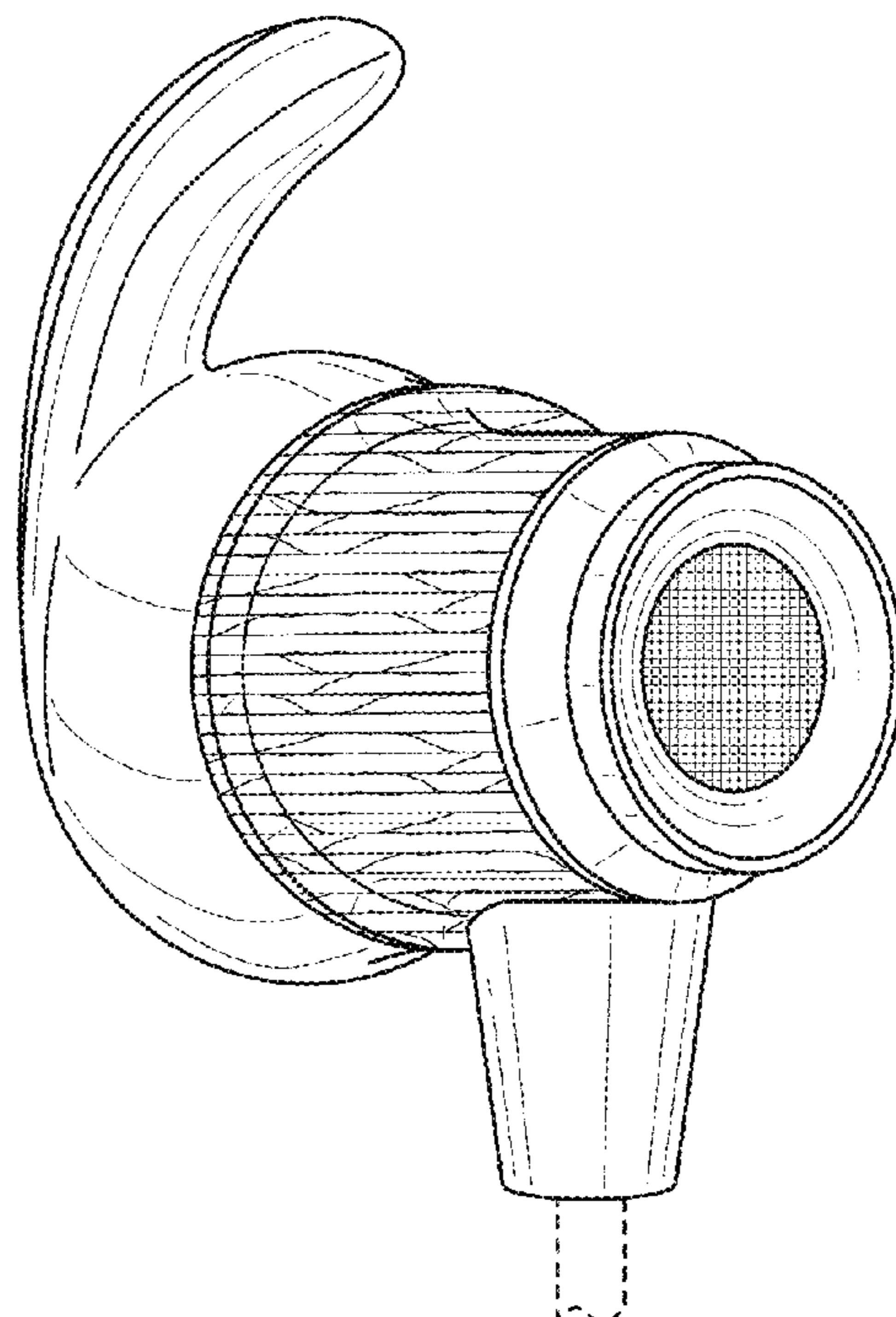
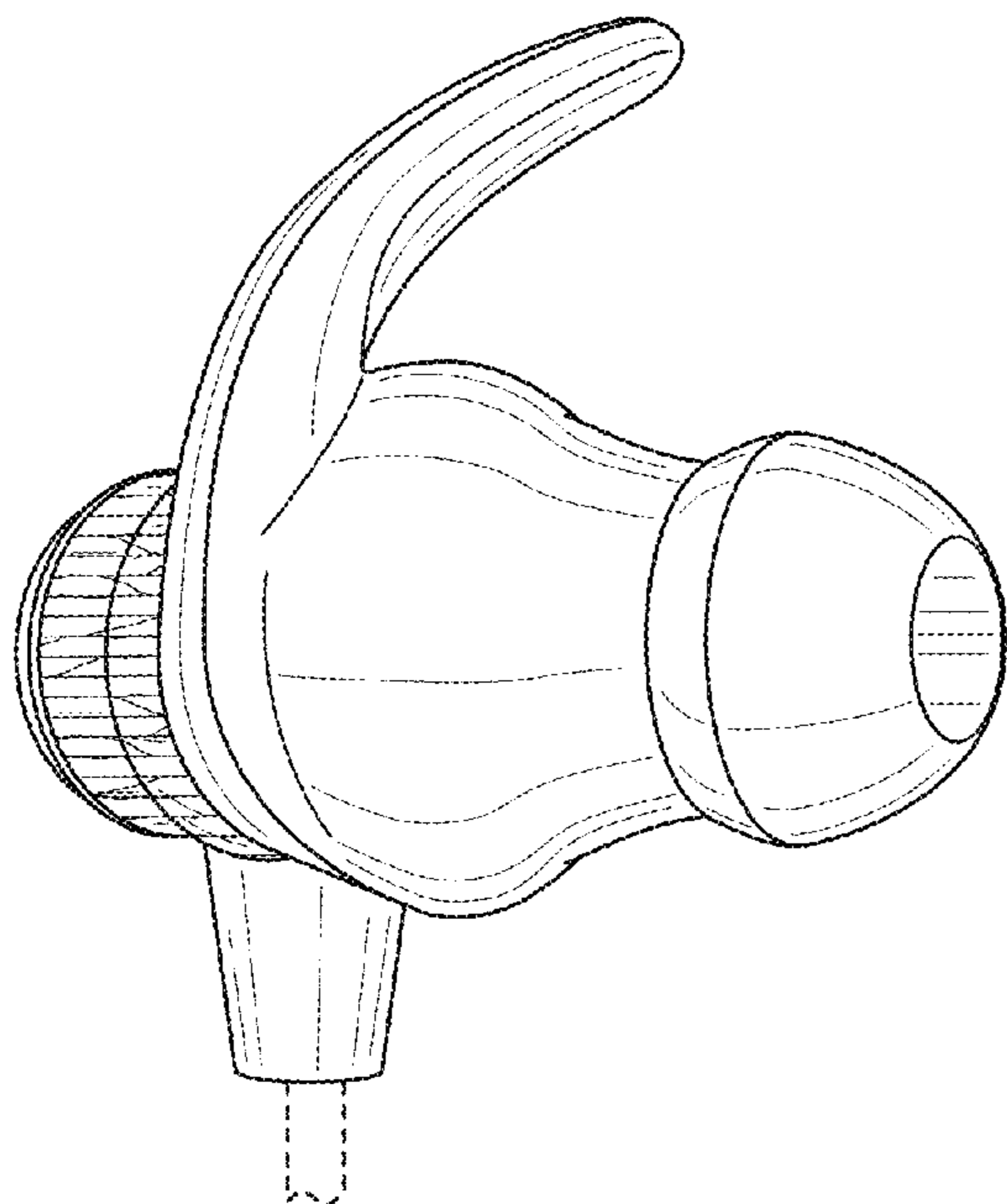
(57) **CLAIM**

The ornamental design for pair of wireless earbuds, as shown and described.

DESCRIPTION

FIG. 1 is a perspective view of the pair of wireless earbuds showing my new design;
 FIG. 2 is a left side view of the pair of wireless earbuds;
 FIG. 3 is a right side view of the pair of wireless earbuds;
 FIG. 4 is a front view of one earbud of the pair of wireless earbuds; the other earbud is a mirror image;
 FIG. 5 is a rear view of one earbud of the pair of wireless earbuds; the other earbud is a mirror image;
 FIG. 6 is a top view of the pair of wireless earbuds; and,
 FIG. 7 is a bottom view of the pair of wireless earbuds.
 The broken lines in the drawings depict portions of the pair of wireless earbuds that form no part of the claimed design.

1 Claim, 6 Drawing Sheets



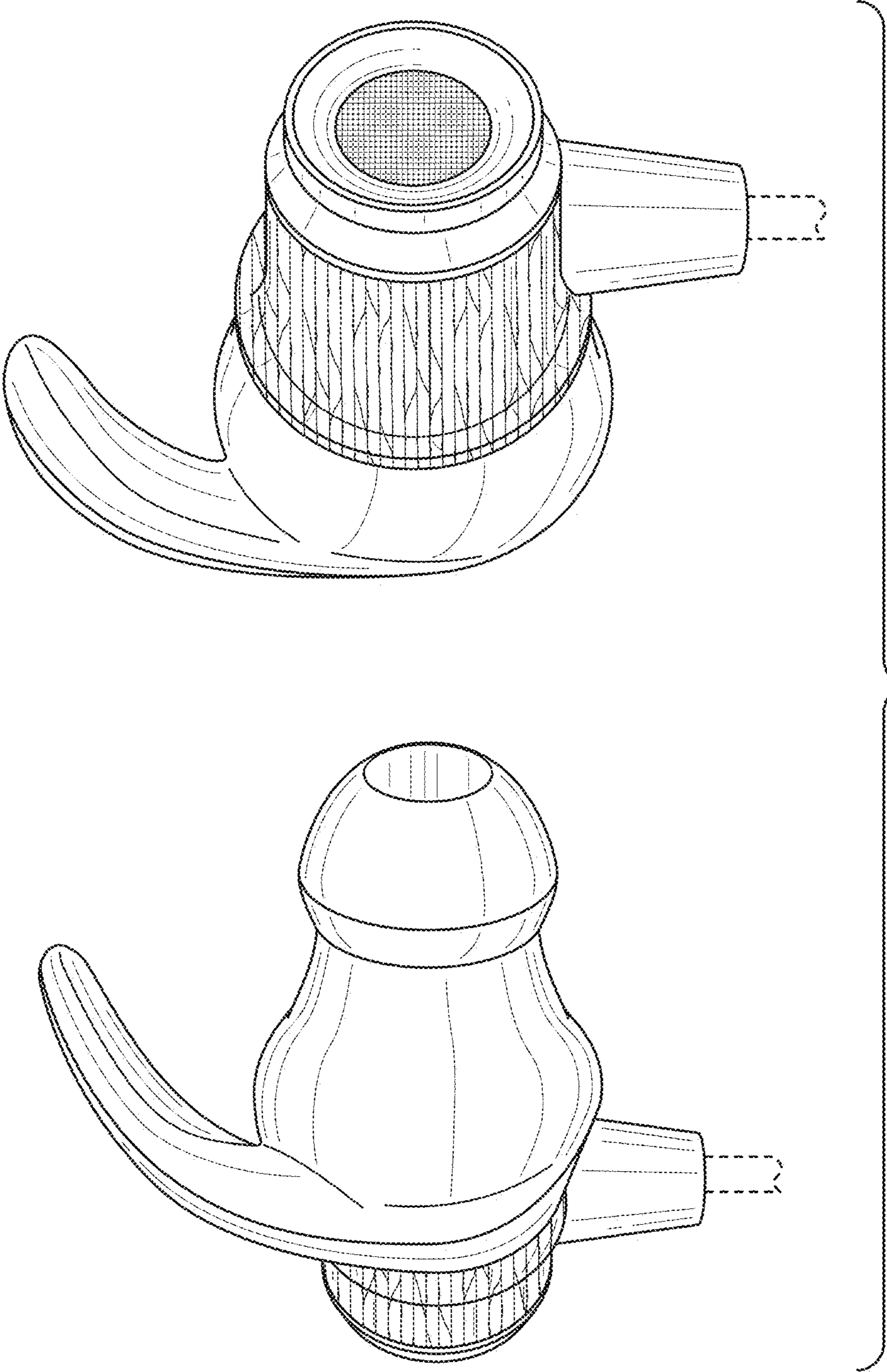


FIG. 1

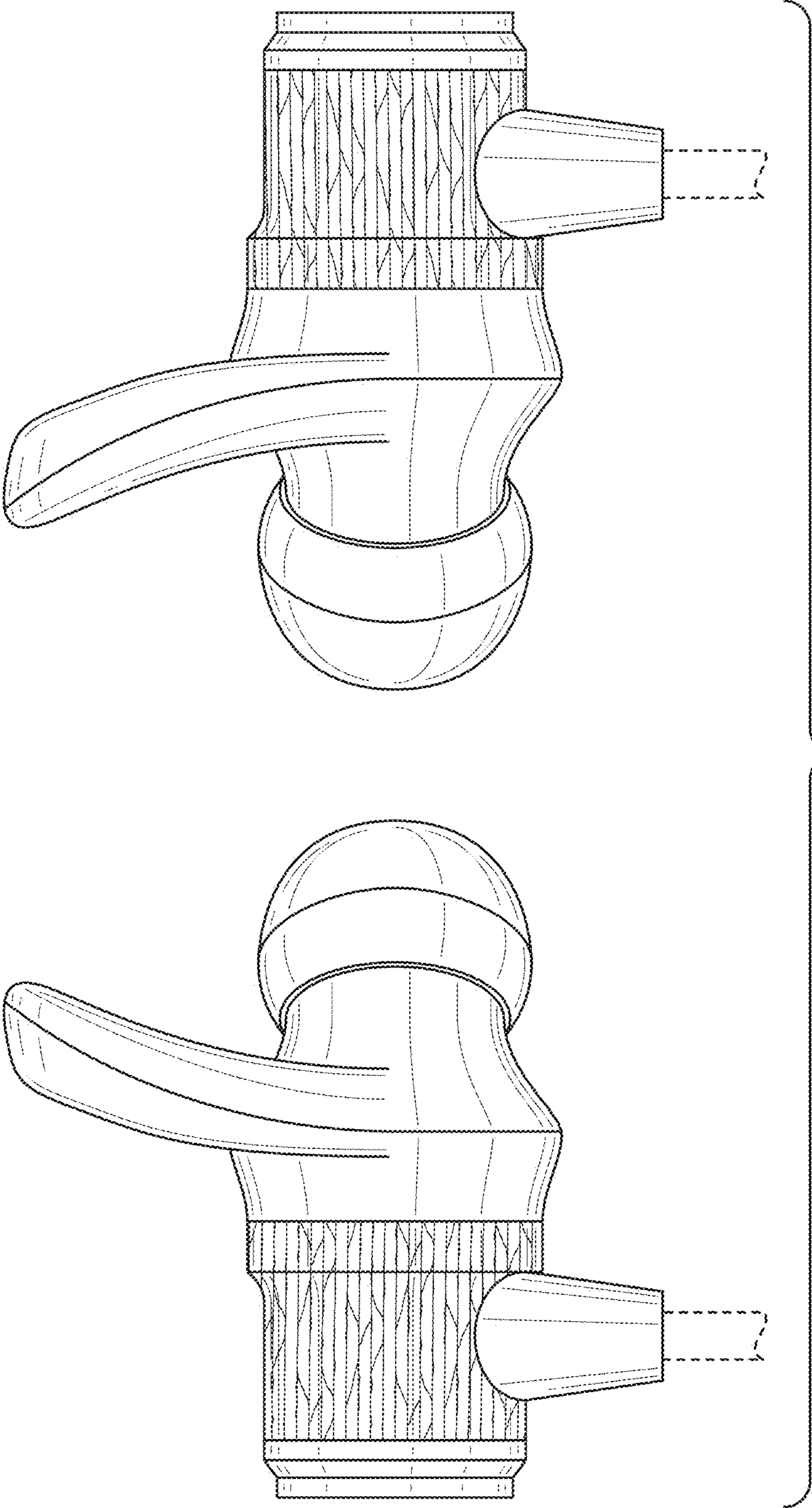


FIG. 2

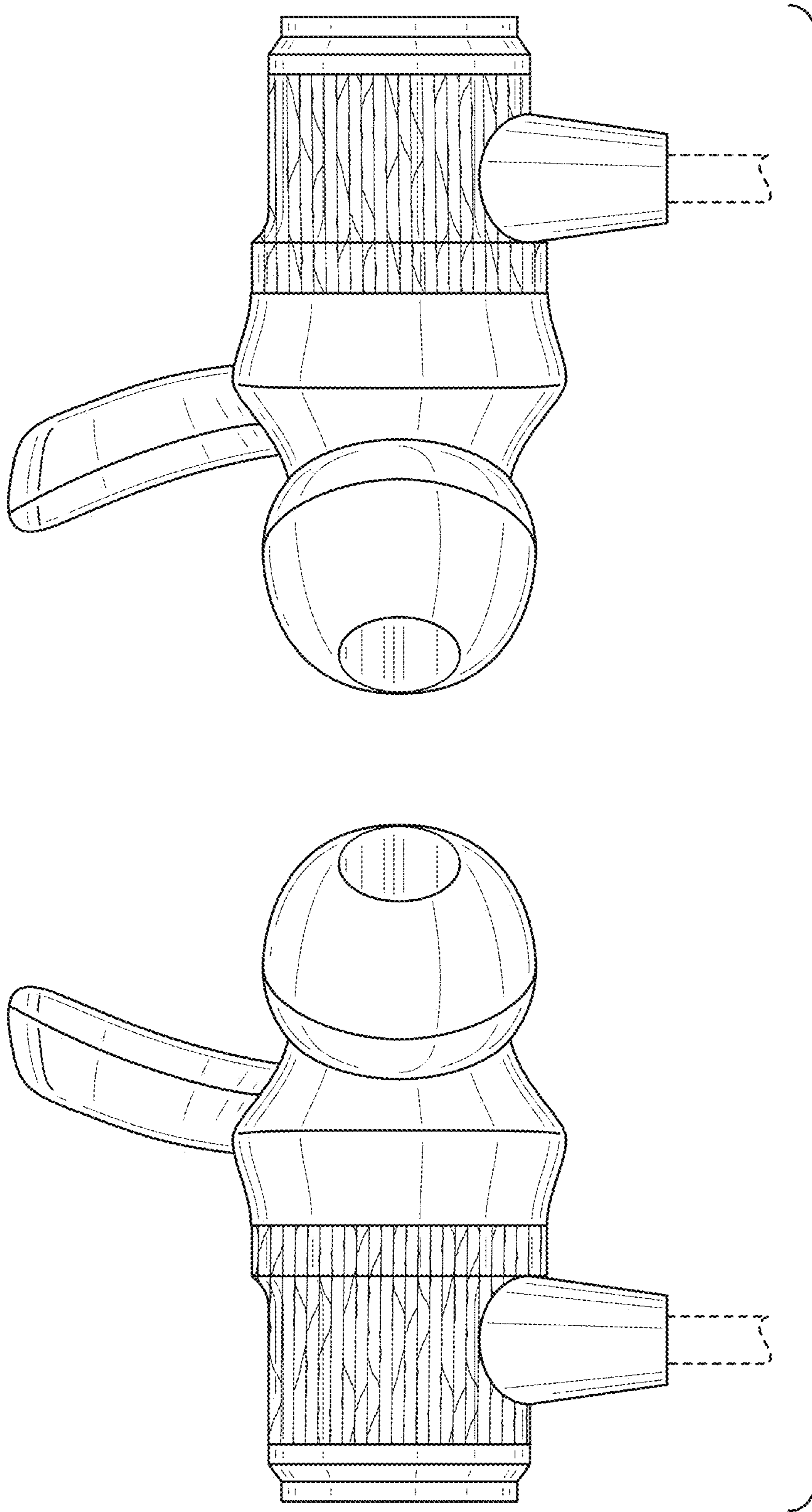


FIG. 3

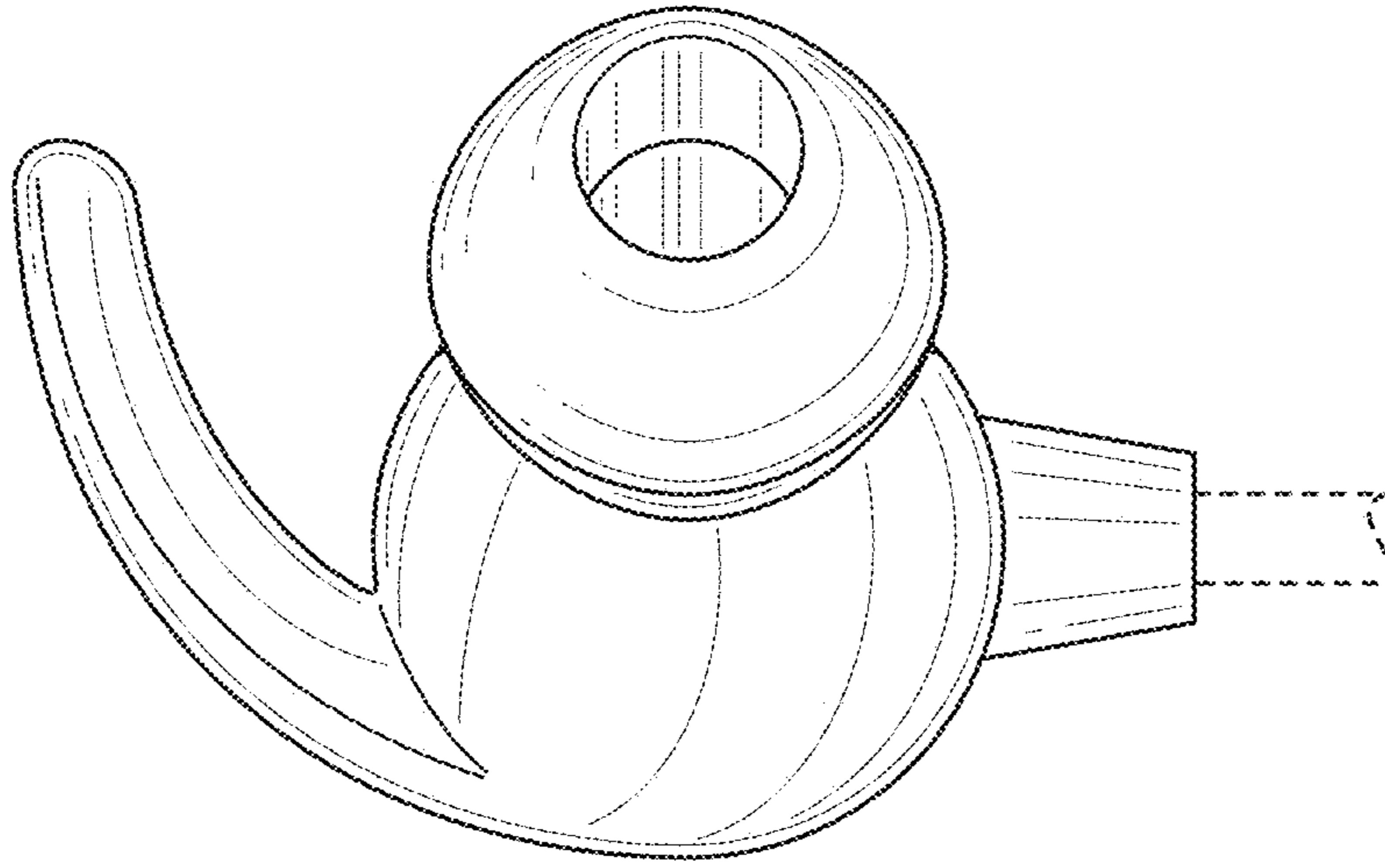


FIG. 5

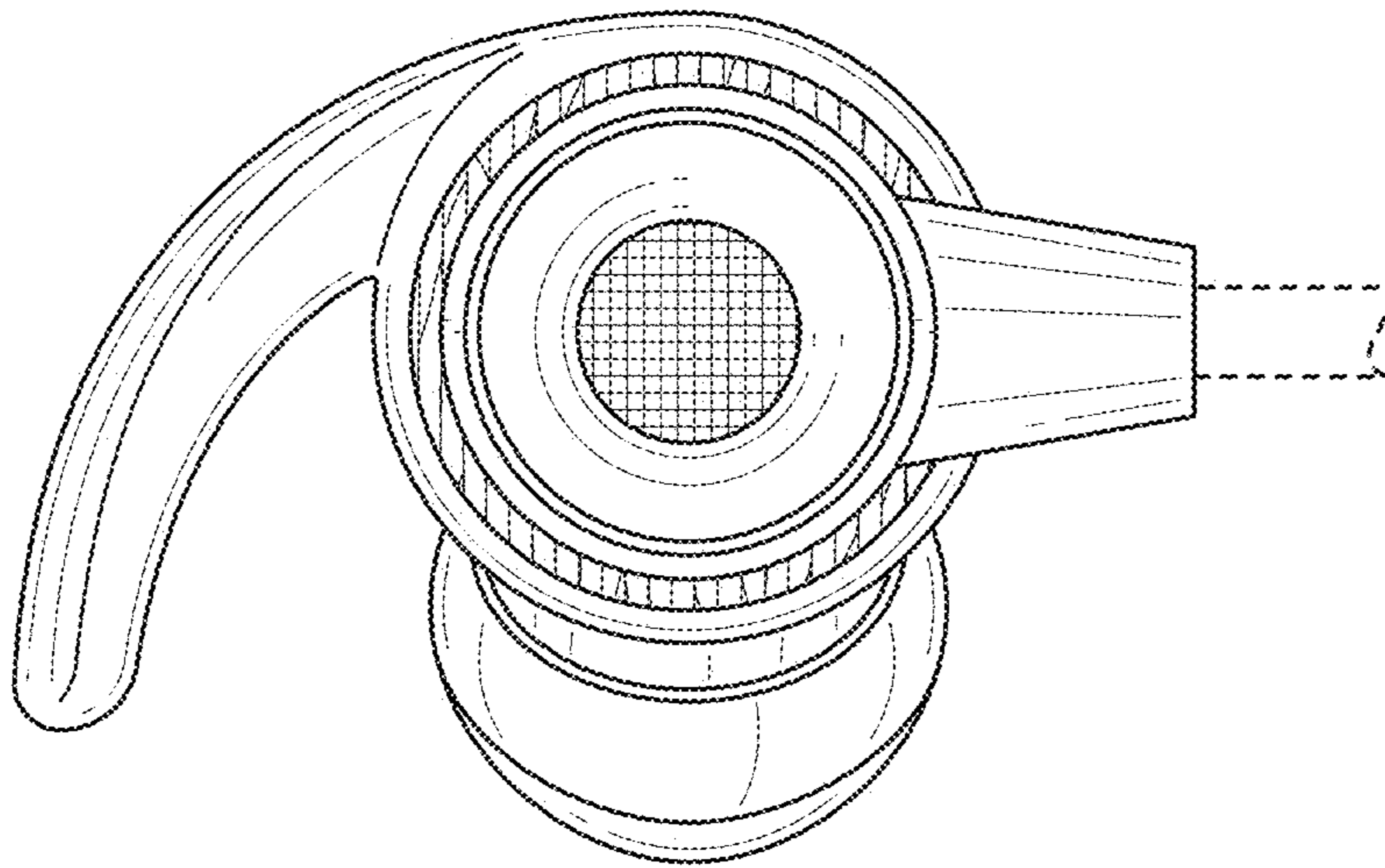


FIG. 4

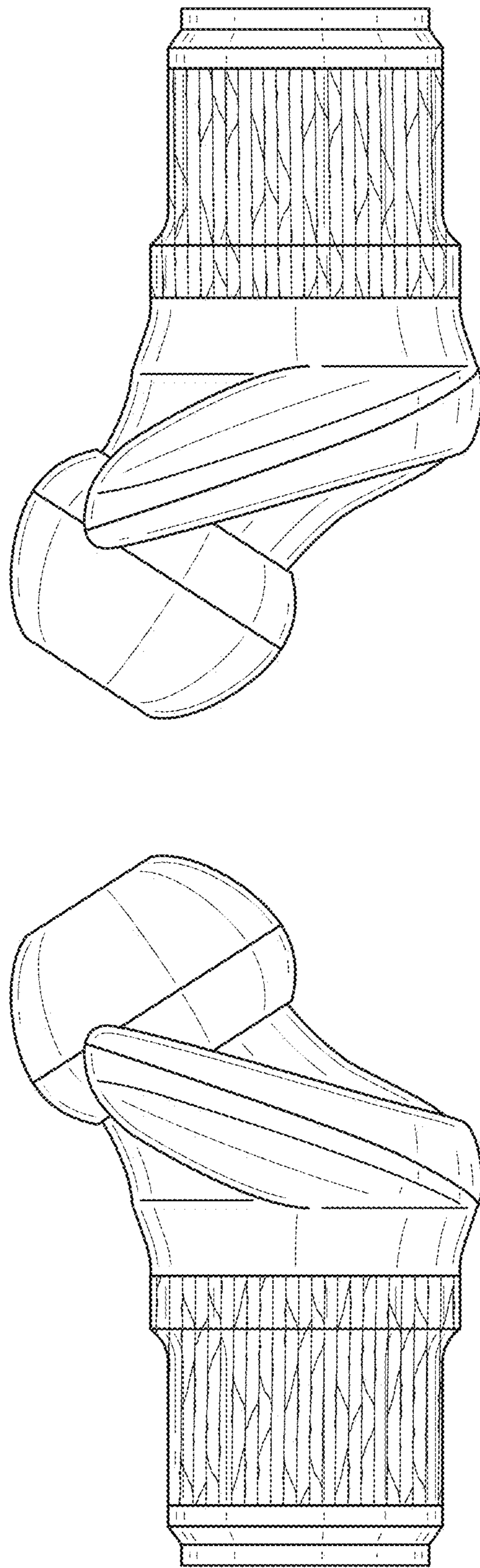


FIG. 6

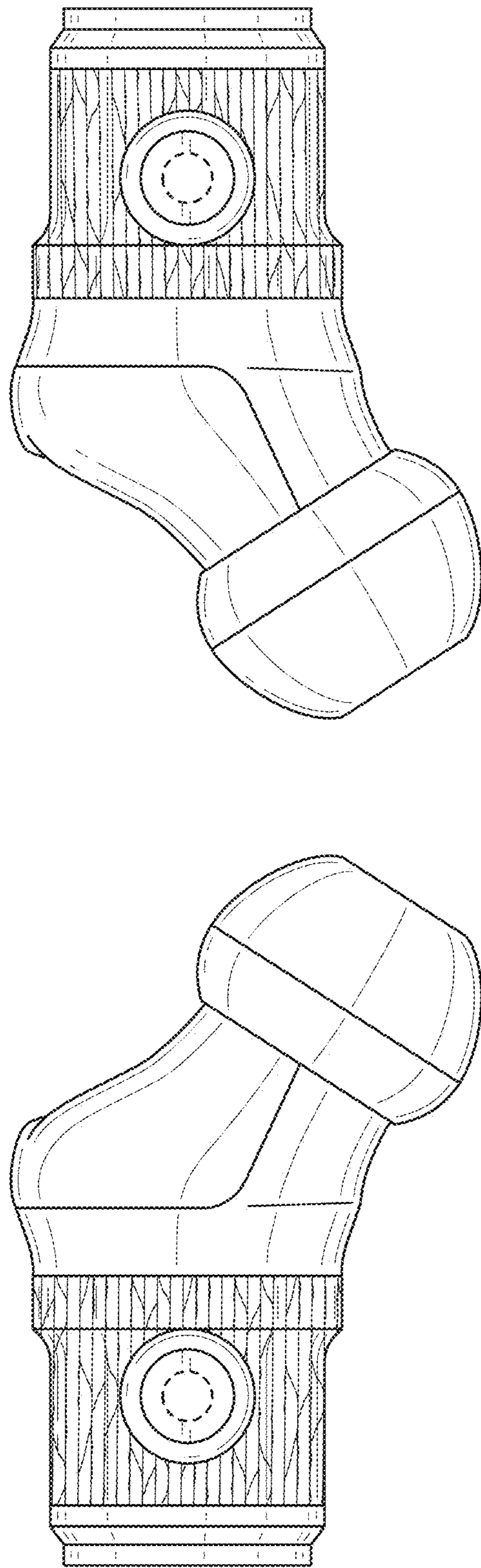


FIG. 7