



US00D890121S

(12) **United States Design Patent**
Tsubone et al.

(10) **Patent No.:** **US D890,121 S**
(45) **Date of Patent:** **** Jul. 14, 2020**

- (54) **EARPHONE**
- (71) Applicant: **Audio-Technica Corporation**, Tokyo (JP)
- (72) Inventors: **Kodai Tsubone**, Tokyo (JP); **Shohei Araki**, Kanagawa (JP)
- (73) Assignee: **Audio-Technica Corporation**, Tokyo (JP)
- (**) Term: **15 Years**
- (21) Appl. No.: **29/654,429**
- (22) Filed: **Jun. 25, 2018**
- (30) **Foreign Application Priority Data**
Dec. 27, 2017 (JP) 2017-029322
- (51) **LOC (12) Cl.** **14-01**
- (52) **U.S. Cl.**
USPC **D14/205**
- (58) **Field of Classification Search**
USPC D14/205, 223, 372; 181/129, 130, 135; 379/430, 431; 381/380, 381, 374, 371, 381/370; 455/90.3, 569.1, 575.1; 345/7, 345/8
CPC H04R 1/1066; H04R 1/1016; H04R 5/033; H04R 5/0335; H04R 1/10; H04R 1/1091; H04R 1/02; H04R 1/105
See application file for complete search history.

- (56) **References Cited**
U.S. PATENT DOCUMENTS
2,891,116 A * 6/1959 Nichols H04R 25/60 381/330
D321,879 S * 11/1991 Emmerling D14/188
D504,419 S * 4/2005 Bey D14/223
D604,269 S * 11/2009 Choe D14/205

- 8,433,082 B2 * 4/2013 Abolfathi H04R 1/46 381/151
- 8,804,992 B2 * 8/2014 Bailey H04R 1/105 343/718
- D721,673 S * 1/2015 Park D14/205
- D726,649 S * 4/2015 Lee D13/103
- D726,720 S * 4/2015 Lee D14/372
- D731,999 S * 6/2015 Cepress D14/205
- D735,716 S * 8/2015 Lee D14/372
- D736,740 S * 8/2015 Hwang D14/205
- D740,284 S * 10/2015 Maeda D14/372
- D740,785 S * 10/2015 Chen D14/205
- D743,933 S * 11/2015 Park D14/205
- D756,958 S * 5/2016 Lee D14/205
- D756,959 S * 5/2016 Lee D14/205
- D762,617 S * 8/2016 Park D14/205
- D763,822 S * 8/2016 Lee D14/205
- D766,210 S * 9/2016 Graylin D14/205
- D766,869 S * 9/2016 Lee D14/205
- 9,445,181 B1 * 9/2016 Atwater H04R 1/105

(Continued)

Primary Examiner — Paula Allen Greene
(74) *Attorney, Agent, or Firm* — W&C IP

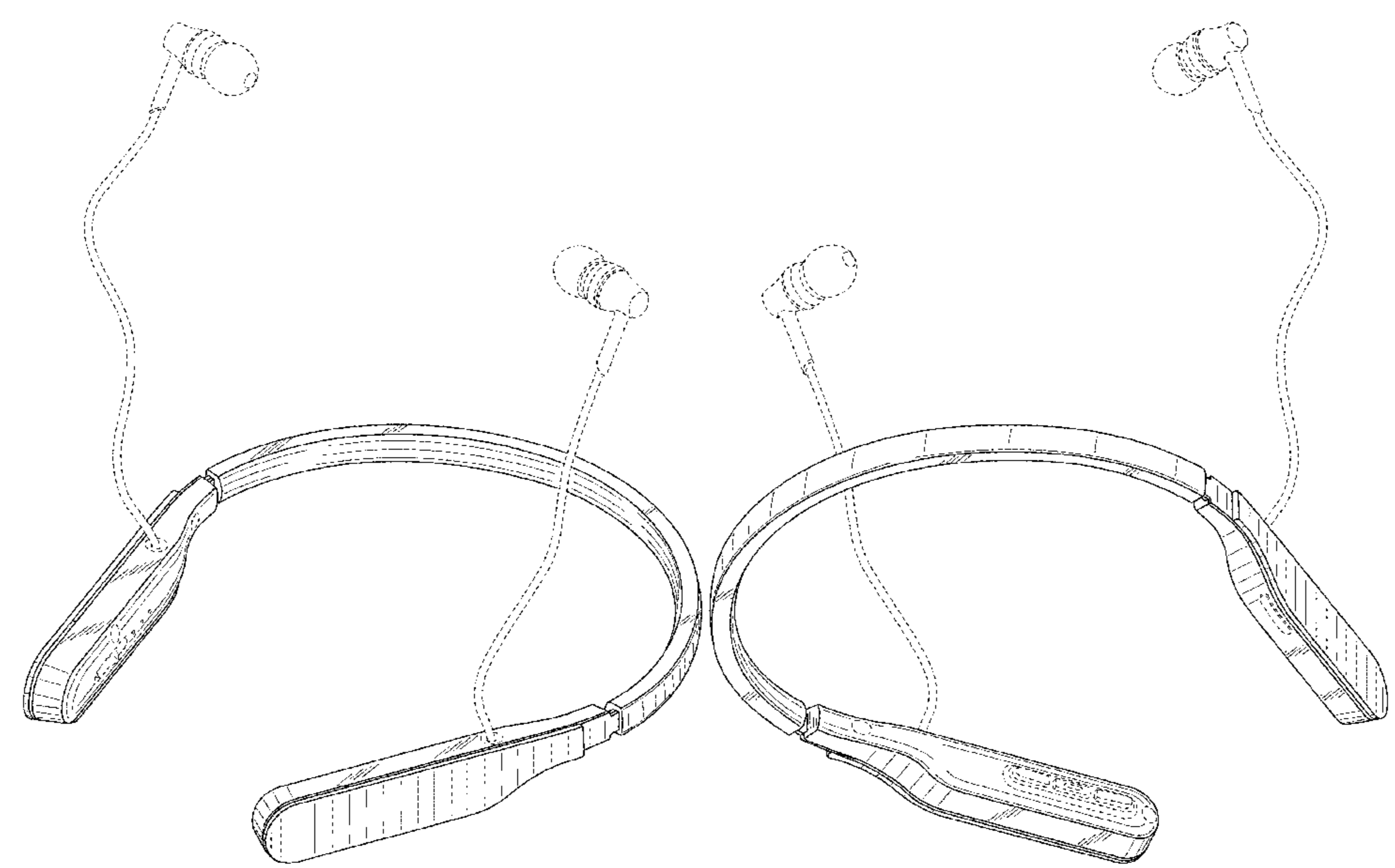
(57) **CLAIM**

The ornamental design for an earphone, as shown and described.

DESCRIPTION

FIG. 1 is a front perspective view of an earphone; FIG. 2 is a rear perspective view of the earphone; FIG. 3 is a front elevational view of the earphone; FIG. 4 is a rear elevational view of the earphone; FIG. 5 is a top plan view of the earphone; FIG. 6 is a bottom plan view of the earphone; FIG. 7 is a left side elevational view of the earphone; and, FIG. 8 is a right side elevational view of the earphone. In the drawing the claimed design is defined by the shaded surfaces; the broken lines depict unclaimed environment that forms no part of the claimed design.

1 Claim, 8 Drawing Sheets



(56)

References Cited

U.S. PATENT DOCUMENTS

D768,600	S	*	10/2016	Chen	D14/205
D771,587	S	*	11/2016	Iwane	D14/205
D771,588	S	*	11/2016	Choe	D14/205
D772,843	S	*	11/2016	Lee	D14/205
D774,017	S	*	12/2016	Ahn	D14/205
D776,636	S	*	1/2017	Lim	D14/205
D777,136	S	*	1/2017	Erbeus	D14/205
D777,137	S	*	1/2017	Erbeus	D14/205
D781,817	S	*	3/2017	Lee	D14/205
D793,357	S	*	8/2017	Afshar	D14/205
D793,358	S	*	8/2017	Lee	D14/205
D795,836	S	*	8/2017	Liden	D14/205
D797,701	S	*	9/2017	Miller	D14/205
D800,089	S	*	10/2017	Park	D14/205
D800,090	S	*	10/2017	Ahn	D14/205
D802,557	S	*	11/2017	Kumano	D14/205
D803,186	S	*	11/2017	Park	D14/205
D806,053	S	*	12/2017	Lee	D14/205
D810,047	S	*	2/2018	Tzeng	D14/205
D811,366	S	*	2/2018	Mackiewicz	D14/205
D815,068	S	*	4/2018	Huang	D14/223
D818,454	S	*	5/2018	Zhu	D14/205
D820,811	S	*	6/2018	Kim	D14/205
D823,827	S	*	7/2018	Pourriot	D14/205
D824,361	S	*	7/2018	Park	D14/205
D824,877	S	*	8/2018	Kim	D14/205
D826,899	S	*	8/2018	Ahn	D14/205
D830,341	S	*	10/2018	Yokozeki	D14/210
D830,994	S	*	10/2018	Lee	D14/205
D830,995	S	*	10/2018	Shin	D14/205
D830,996	S	*	10/2018	Park	D14/205
D830,997	S	*	10/2018	Park	D14/205
D830,998	S	*	10/2018	Kim	D14/205
D830,999	S	*	10/2018	Kim	D14/205
D831,611	S	*	10/2018	Kim	D14/205
D832,234	S	*	10/2018	Park	D14/205
D832,814	S	*	11/2018	Kim	D14/205
D832,815	S	*	11/2018	Park	D14/205
D832,816	S	*	11/2018	Park	D14/205
D832,817	S	*	11/2018	Park	D14/205
D832,819	S	*	11/2018	Park	D14/205
D833,997	S	*	11/2018	Ando	D14/205
D833,998	S	*	11/2018	Park	D14/205
D837,184	S	*	1/2019	Zhu	D14/205
D844,585	S	*	4/2019	Sogabe	D14/205
D845,270	S	*	4/2019	Weber	D14/205
D853,351	S	*	7/2019	Ott	D14/205
D853,987	S	*	7/2019	Kelley	D14/205
D858,480	S	*	9/2019	Weber	D14/205
D870,067	S	*	12/2019	Hu	D14/205
D873,790	S	*	1/2020	Shin	D14/205
D875,712	S	*	2/2020	Park	D14/205
D876,390	S	*	2/2020	Kim	D14/205
D876,391	S	*	2/2020	Kim	D14/205
2007/0003093	A1	*	1/2007	Ito	H04R 1/1066 381/378
2007/0104333	A1	*	5/2007	Kuo	H04R 1/1025 381/74
2009/0226011	A1	*	9/2009	Abolfathi	H04R 25/606 381/151
2013/0329903	A1	*	12/2013	Ting	H04R 1/105 381/74
2015/0264474	A1	*	9/2015	Seo	H04R 1/1091 381/74
2016/0050487	A1	*	2/2016	Kim	H04R 1/323 381/74
2017/0070801	A1	*	3/2017	Nguyen	H04R 1/105
2017/0195768	A1	*	7/2017	Kim	H04B 1/034
2017/0223445	A1	*	8/2017	Bullen	H04R 1/1041
2017/0311072	A1	*	10/2017	Seo	H04M 1/02
2017/0347192	A1	*	11/2017	Seo	H04R 5/02
2018/0063620	A1	*	3/2018	Kim	H04R 1/1025
2018/0152213	A1	*	5/2018	Lee	H04B 1/385
2018/0184186	A1	*	6/2018	Kang	H04R 1/105
2018/0184205	A1	*	6/2018	Na	H04R 1/1016

* cited by examiner

FIG. 1

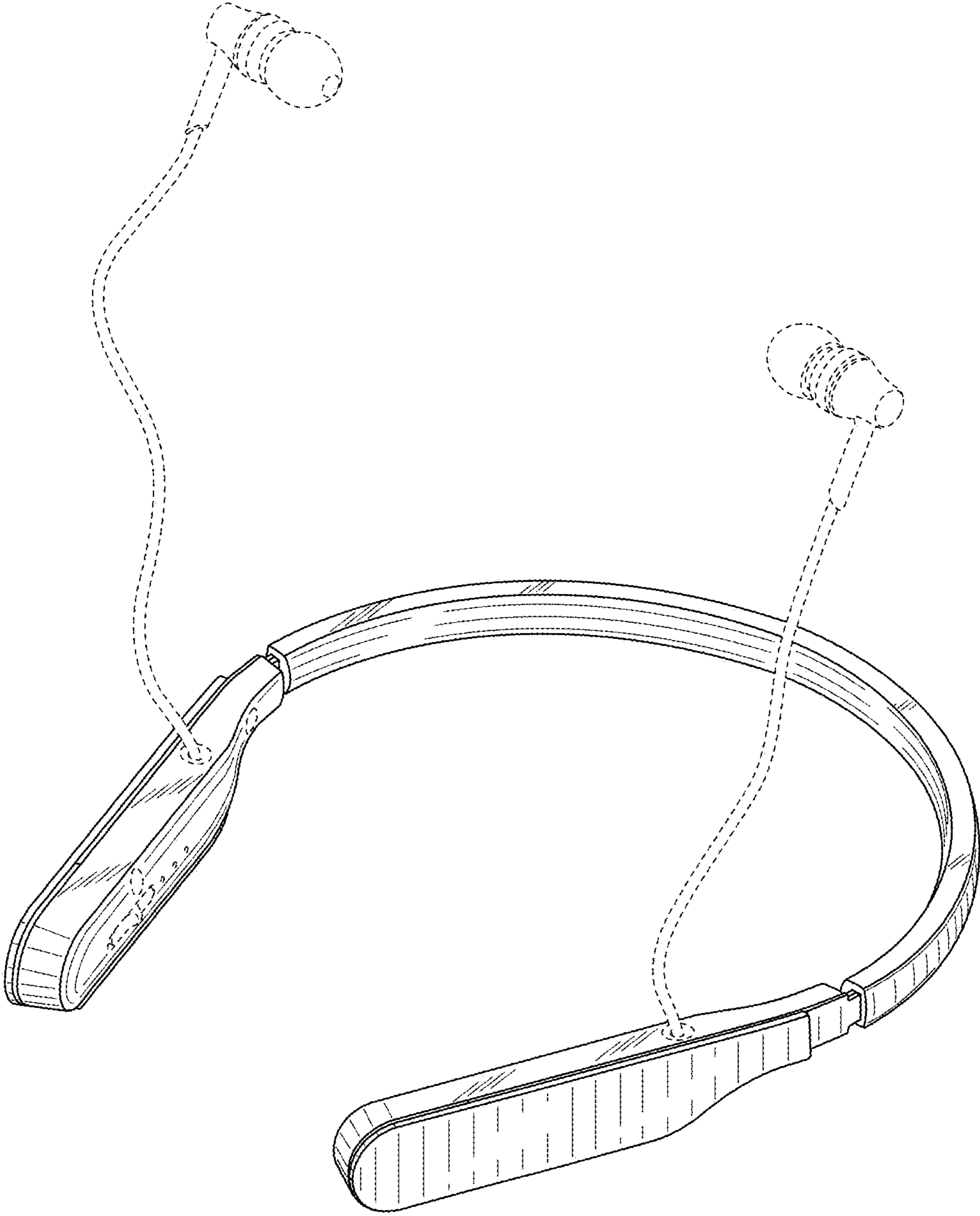


FIG. 2

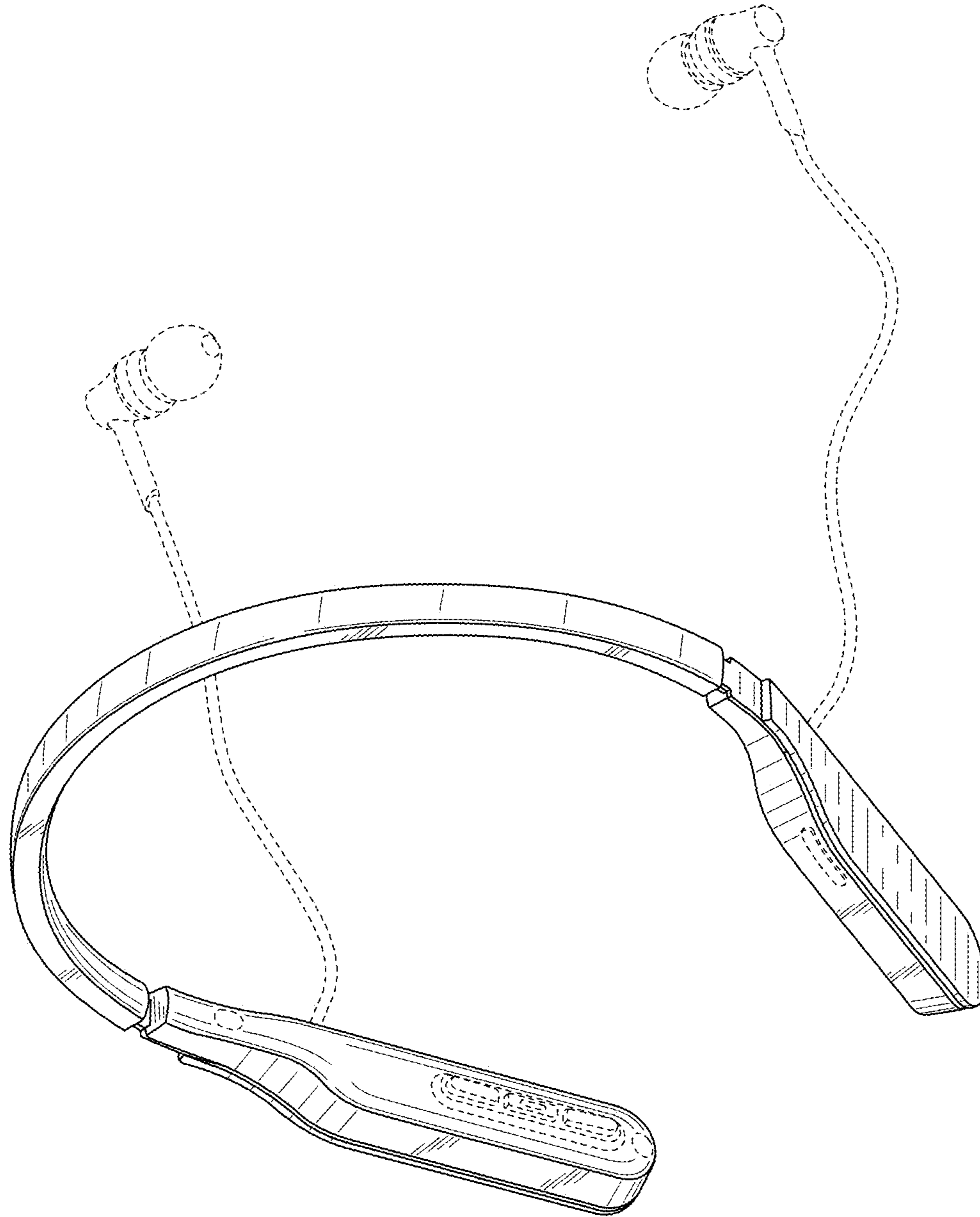


FIG. 3

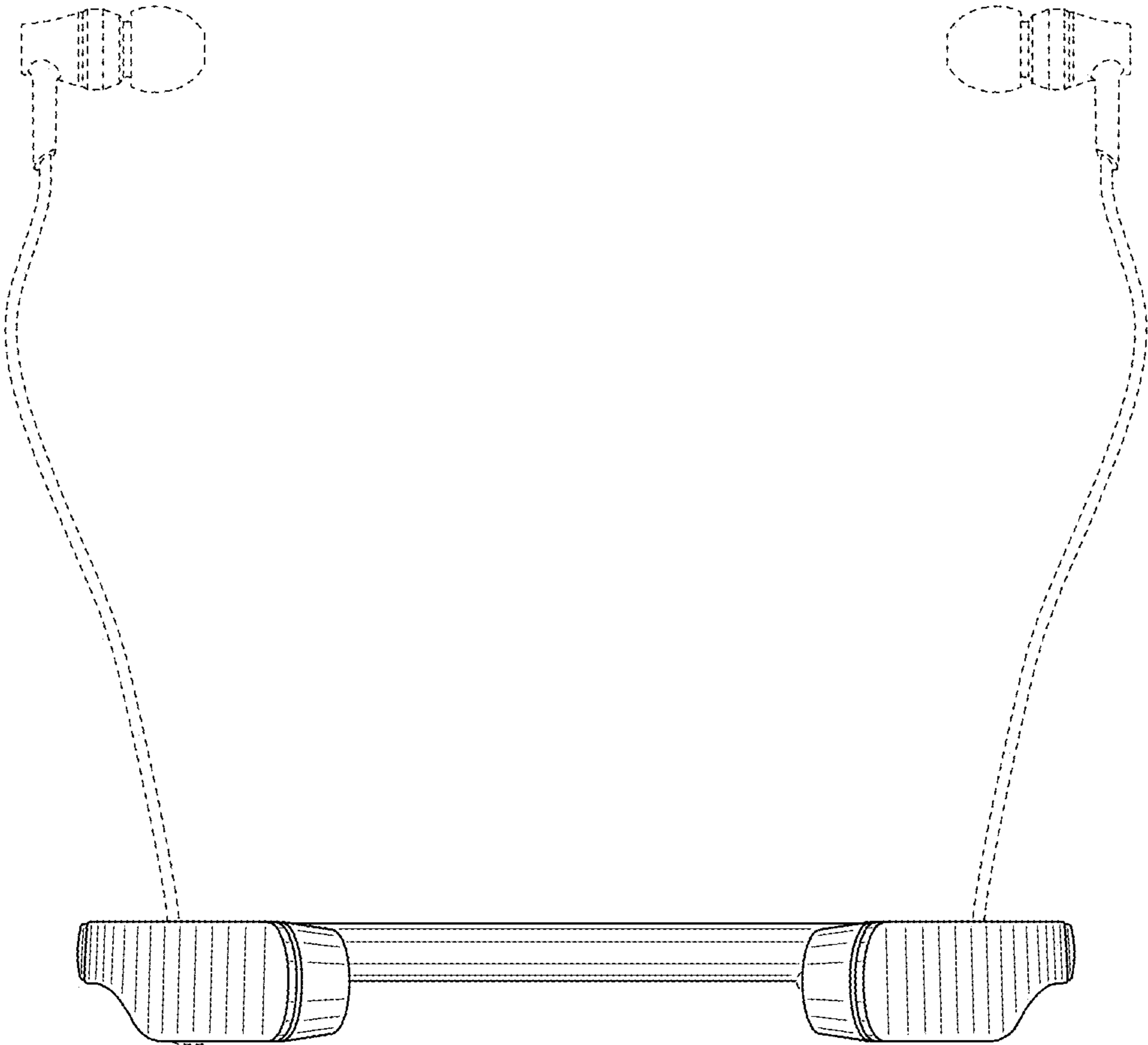


FIG. 4

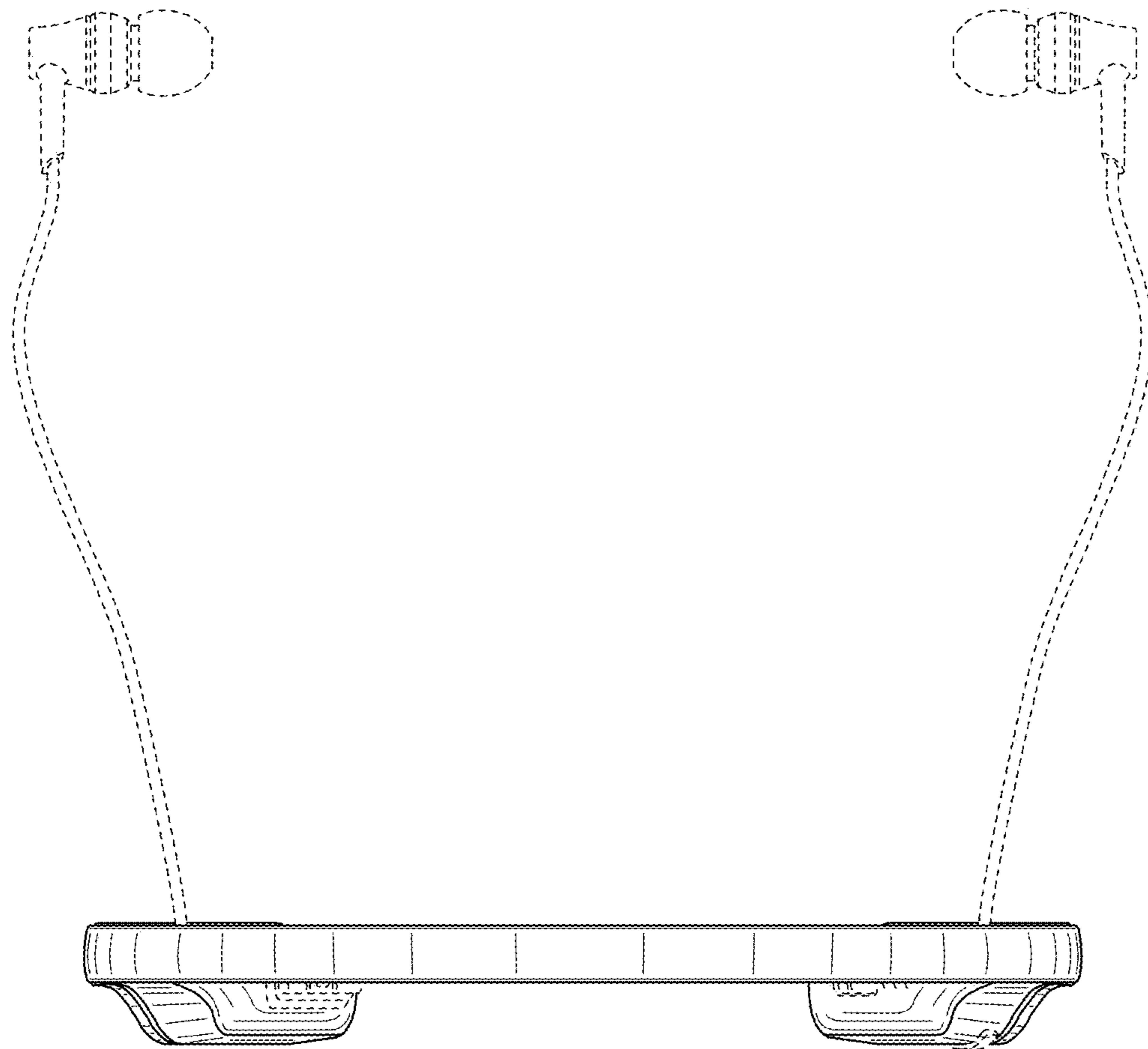


FIG. 5

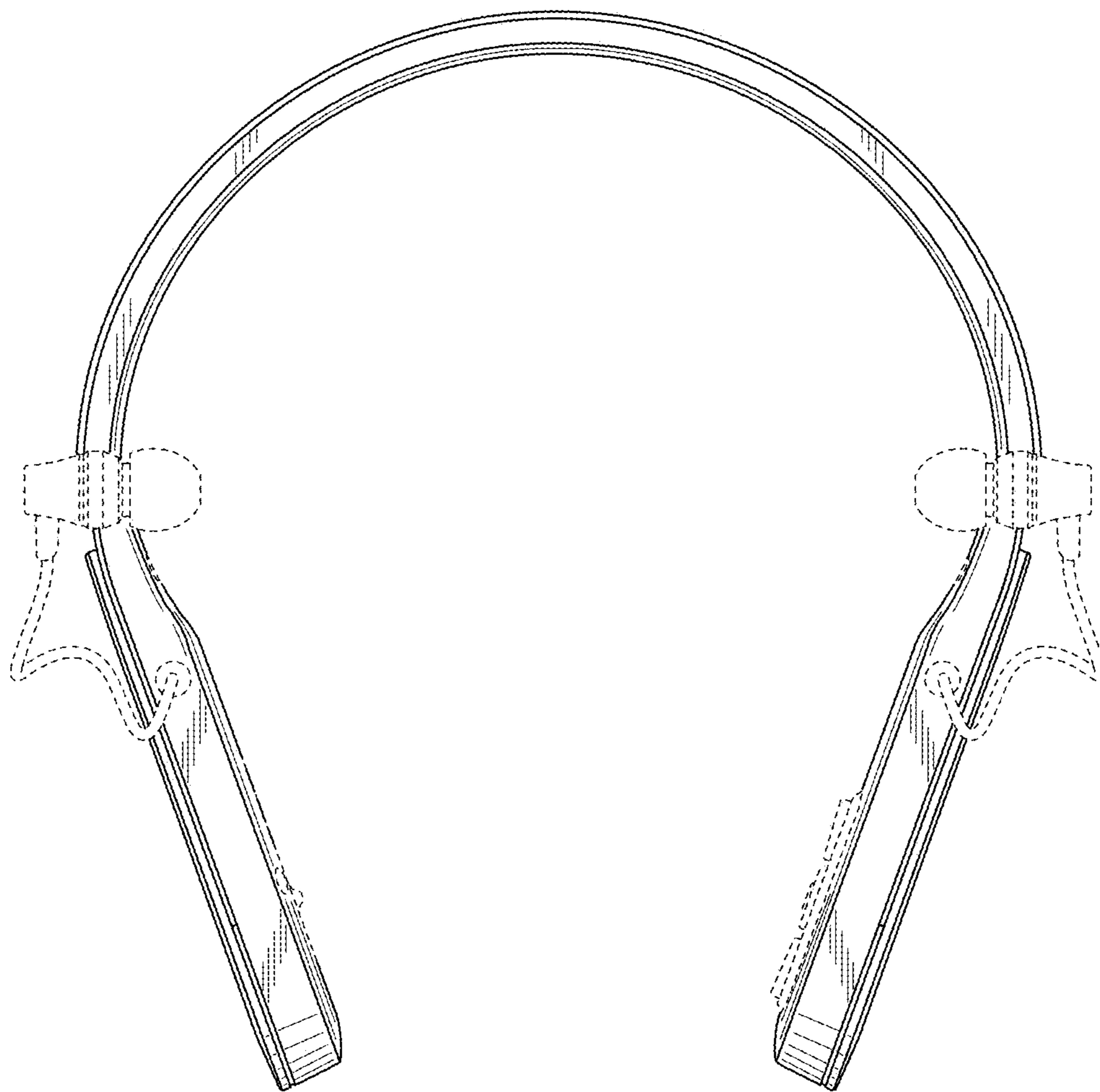


FIG. 6

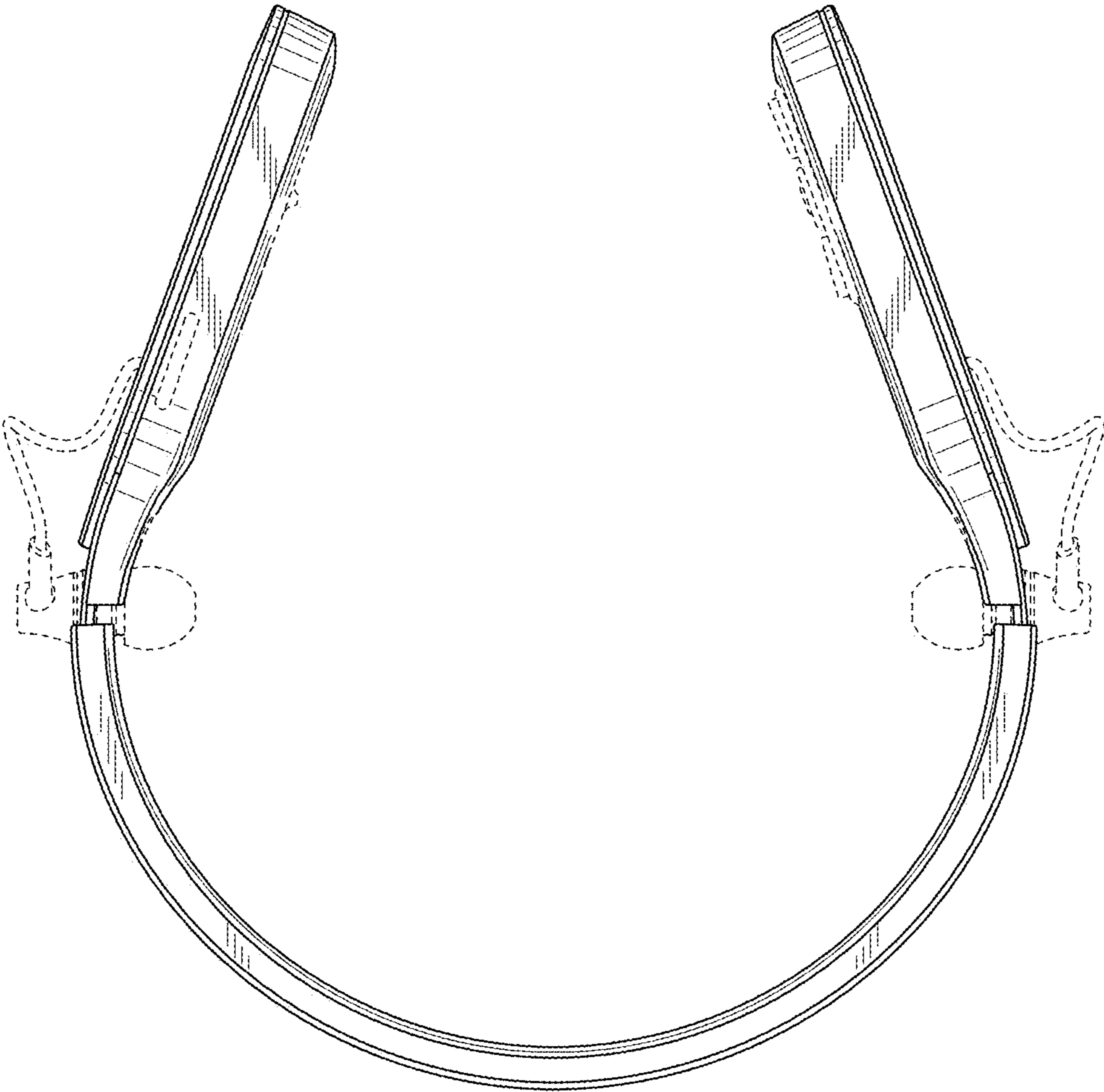


FIG. 7

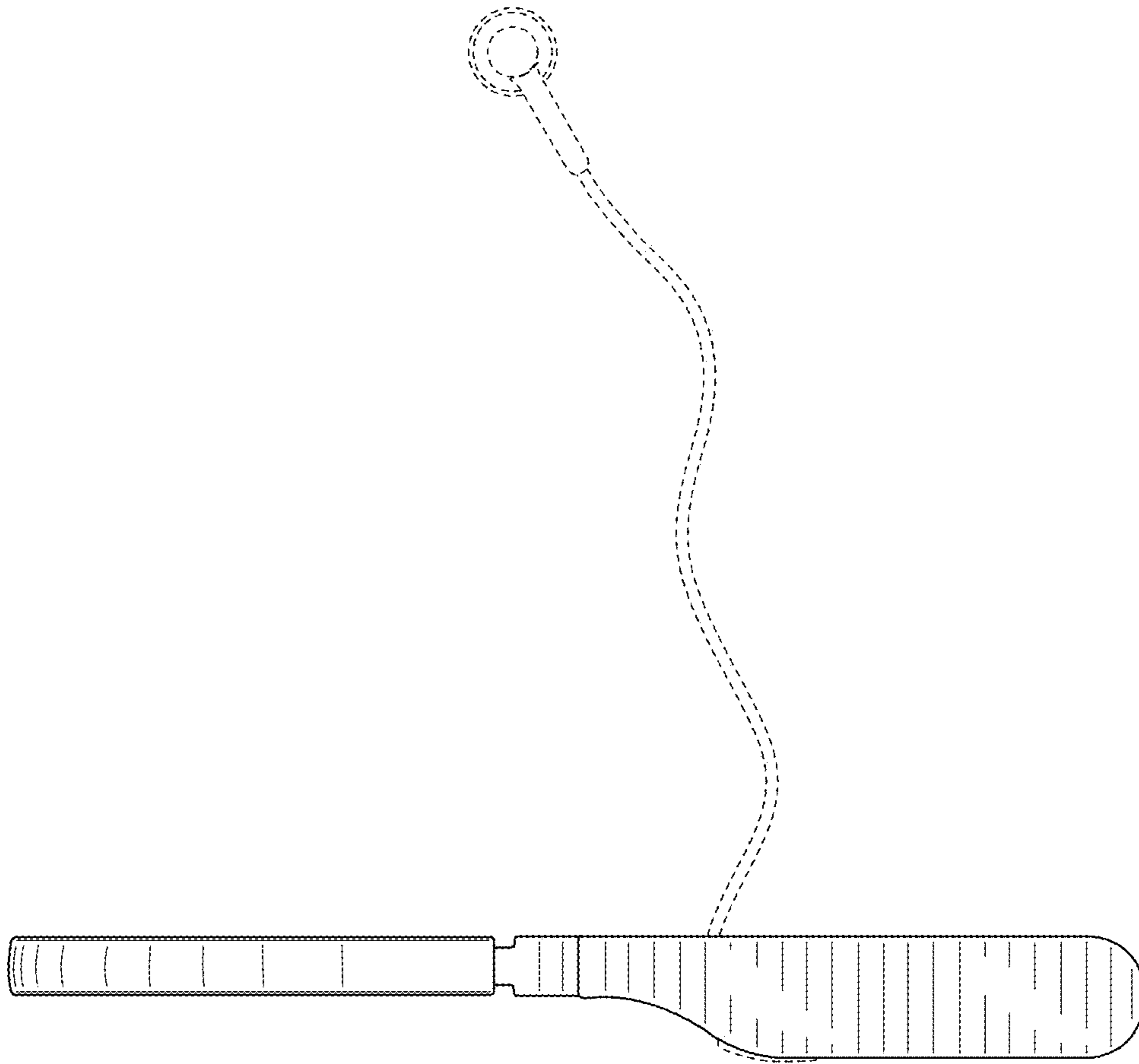


FIG. 8

