

US00D890119S

(12) **United States Design Patent** (10) **Patent No.:** **US D890,119 S**
Demin et al. (45) **Date of Patent:** **** Jul. 14, 2020**

(54) **LOUDSPEAKER COVER**
 (71) Applicant: **Harman International Industries, Incorporated**, Northridge, CA (US)
 (72) Inventors: **Alexander Demin**, Shenzhen (CN); **Ondrej Vaclavik**, Shenzhen (CN)
 (73) Assignee: **Harman International Industries, Incorporated**, Northridge, CA (US)

D537,073 S 2/2007 Peersman
 D553,121 S * 10/2007 Gondo D14/168
 D563,391 S 3/2008 Skurdal
 D567,598 S * 4/2008 Lee D7/679
 D595,261 S 6/2009 Xie et al.
 D607,878 S 1/2010 Murray
 D609,718 S 2/2010 Chang et al.
 (Continued)

(**) Term: **15 Years**

(21) Appl. No.: **29/664,257**

(22) Filed: **Sep. 24, 2018**

Related U.S. Application Data

(62) Division of application No. 29/589,263, filed on Dec. 29, 2016, now Pat. No. Des. 837,762.

(51) **LOC (12) Cl.** **14-01**

(52) **U.S. Cl.**
USPC **D14/204**

(58) **Field of Classification Search**
 USPC D14/167, 188, 204, 209.1, 210–215, 348,
 D14/352, 498–505; 181/143, 144, 148,
 181/153, 157, 198, 199; 369/6–12;
 381/300–303, 361–364, 366, 386–388
 CPC H04R 1/02; H04R 1/021; H04R 1/023;
 H04R 5/00; H04R 9/06; H04R 2420/07
 See application file for complete search history.

(56) **References Cited**

U.S. PATENT DOCUMENTS

D303,970 S 10/1989 Collins et al.
 D334,193 S 3/1993 Jewitt et al.
 D393,468 S 4/1998 Dalby
 D402,660 S 12/1998 Swansey
 D455,324 S * 4/2002 Wright D7/679
 D487,075 S 2/2004 Dayan
 D496,651 S 9/2004 Borsboom
 D534,525 S 1/2007 Peng

OTHER PUBLICATIONS

Office Action dated Jun. 12, 2019 in Design U.S. Appl. No. 29/630,601.

(Continued)

Primary Examiner — Janice Patyk
 (74) *Attorney, Agent, or Firm* — Plumsea Law Group, LLC

(57) **CLAIM**

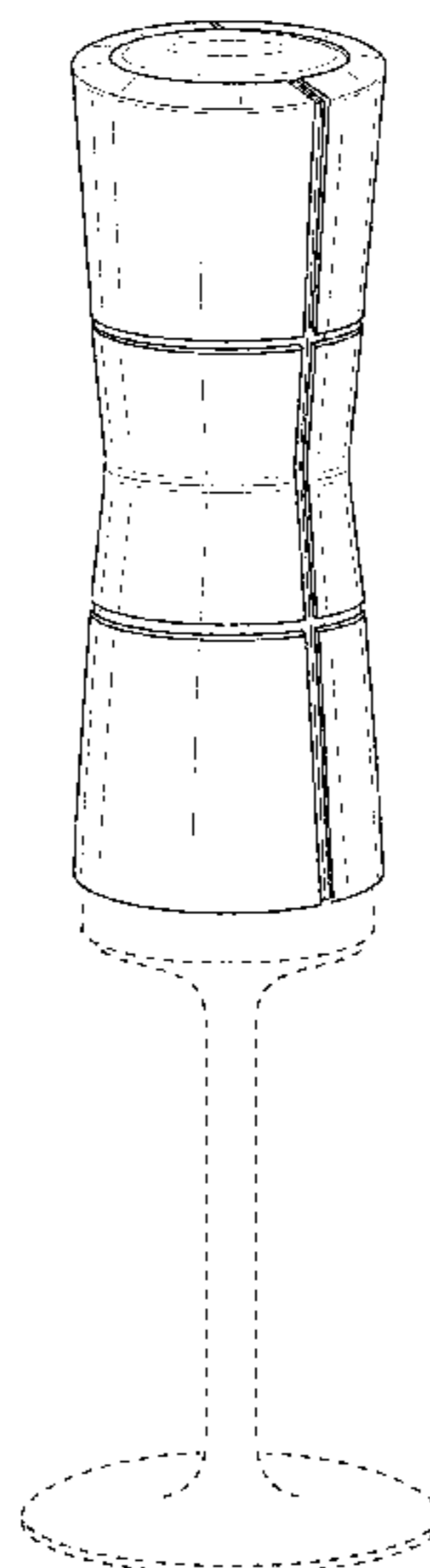
The ornamental design for a loudspeaker cover, as shown and described.

DESCRIPTION

FIG. 1 is a perspective view of a loudspeaker cover showing our new design;
 FIG. 2 is a front elevation view thereof;
 FIG. 3 is a rear elevation view thereof;
 FIG. 4 is a side elevation view thereof;
 FIG. 5 is an opposite side elevation view thereof;
 FIG. 6 is a top plan view thereof, shown without the environmental base for ease of illustration;
 FIG. 7 is a bottom plan view thereof; and,
 FIG. 8 is a perspective view thereof, shown with an alternative environmental base.

The broken lines on the loudspeaker cover in the figures illustrate portions of the design that form no part of the claimed design. The broken line base in the figures illustrates environmental subject matter that forms no part of the claimed design.

1 Claim, 7 Drawing Sheets



(56)

References Cited

U.S. PATENT DOCUMENTS

D615,530 S 5/2010 Dobson
 D633,898 S 3/2011 Seo et al.
 D640,667 S 6/2011 Lee et al.
 D659,679 S 5/2012 Aoki
 D686,186 S 7/2013 Kaneko et al.
 D690,411 S * 9/2013 Reynolds D24/108
 D691,587 S * 10/2013 Ferber D14/216
 D694,218 S * 11/2013 Szymanski D14/216
 D698,753 S 2/2014 Yiu et al.
 D713,094 S * 9/2014 Garner D28/9
 D719,137 S 12/2014 Cheng
 D719,146 S 12/2014 Herbst et al.
 D722,593 S 2/2015 Lin et al.
 D723,514 S 3/2015 Lukic et al.
 D731,463 S 6/2015 Ho
 D769,845 S * 10/2016 Pineau D14/215
 D803,181 S 11/2017 Feng
 D811,367 S 2/2018 Vaclavik et al.
 D828,323 S 9/2018 Demin et al.
 D828,325 S 9/2018 Walker et al.
 D829,689 S 10/2018 Kim
 D835,600 S 12/2018 Weiss et al.

D836,602 S 12/2018 Huang
 D837,762 S 1/2019 Demin et al.
 D839,855 S 2/2019 Park et al.
 D842,037 S 3/2019 Chen
 D842,842 S 3/2019 Lee et al.
 2018/0288525 A1 10/2018 Katz et al.

OTHER PUBLICATIONS

Amendment filed Aug. 9, 2019 in Design U.S. Appl. No. 29/630,601. SL-1, posted © 2017 [online], retrieved Jun. 6, 2019, retrieved from internet, <https://www.lexicon.com/productdetail/~product/sl-1.html>.
 New Striking Harman Lexicon SL-1 Revealed, posted May 9, 2019 [online], retrieved Jun. 6, 2019, retrieved from internet, <https://essentialinstall.com/news/new-striking-harman-lexicon-sl-1-revealed/>.
 Office Action dated Feb. 7, 2018 in Design U.S. Appl. No. 29/589,259. Amendment filed May 3, 2018 in Design U.S. Appl. No. 29/589,259. Amendment filed Jul. 6, 2018 in Design U.S. Appl. No. 29/589,259. Final Office Action dated Jun. 29, 2018 in Design U.S. Appl. No. 29/589,259.

* cited by examiner

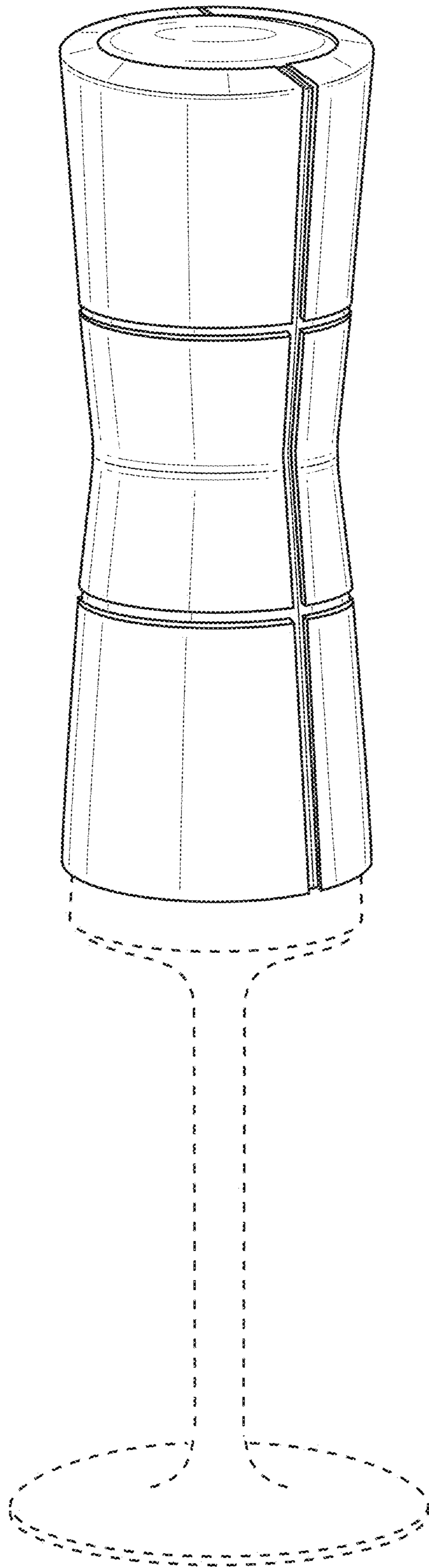


FIG. 1

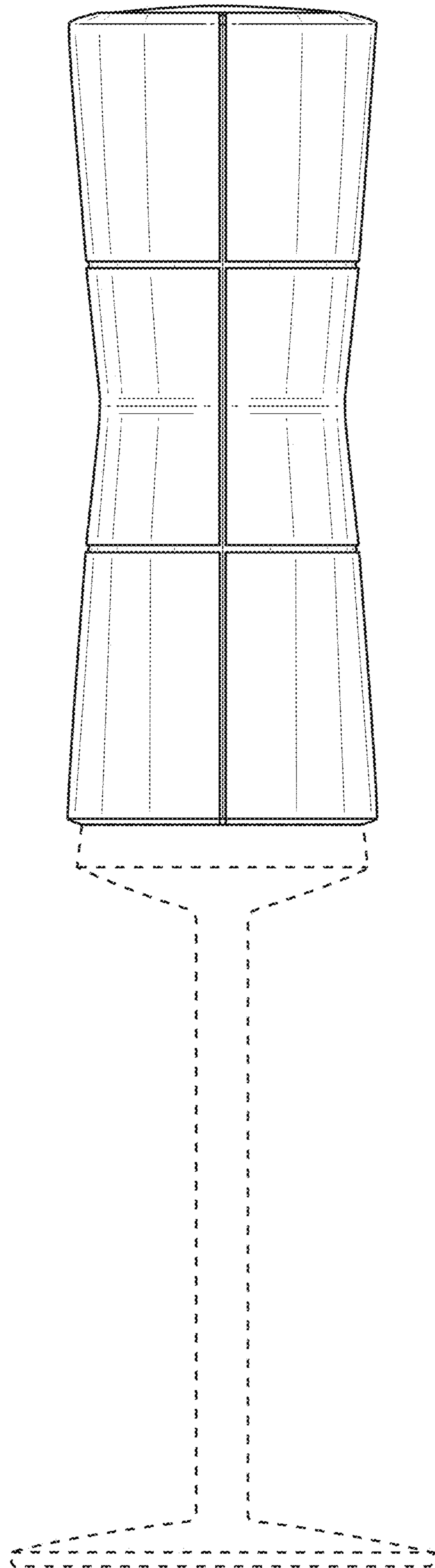


FIG. 2

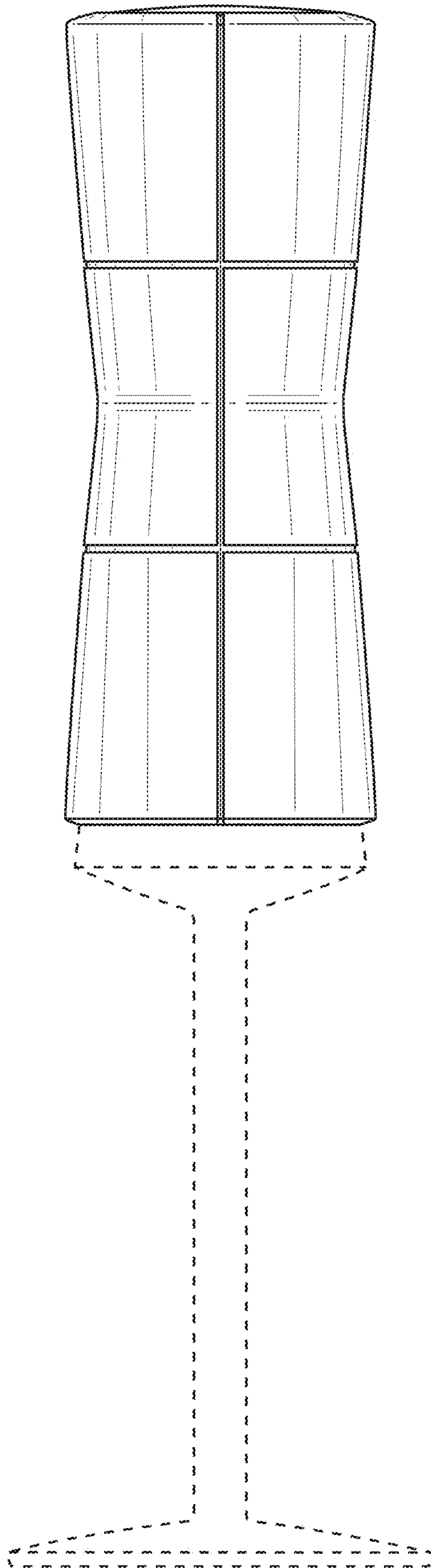


FIG. 3

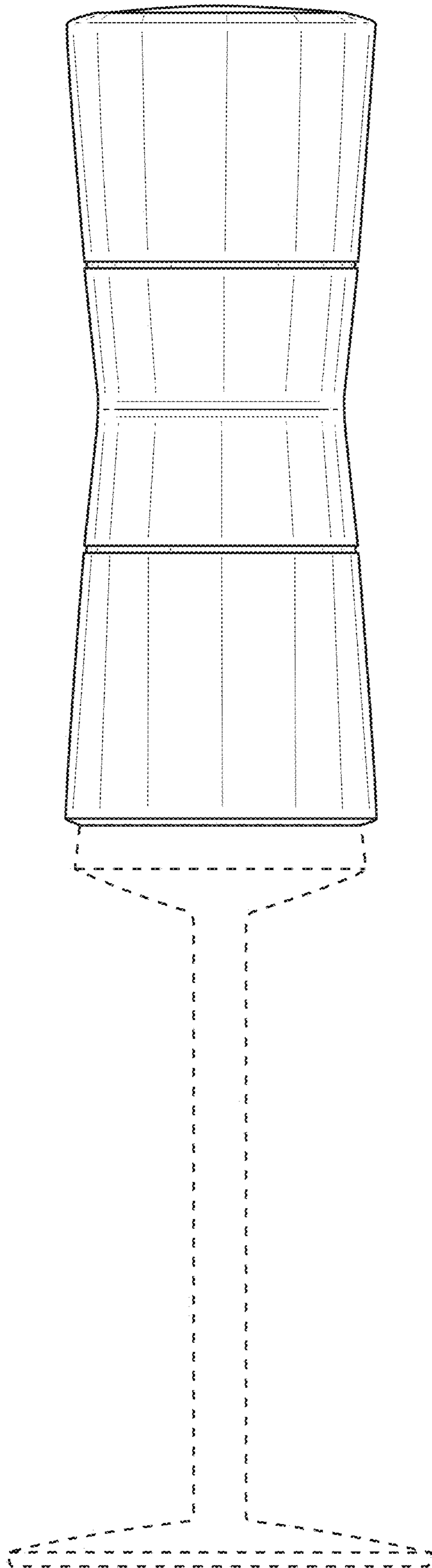


FIG. 4

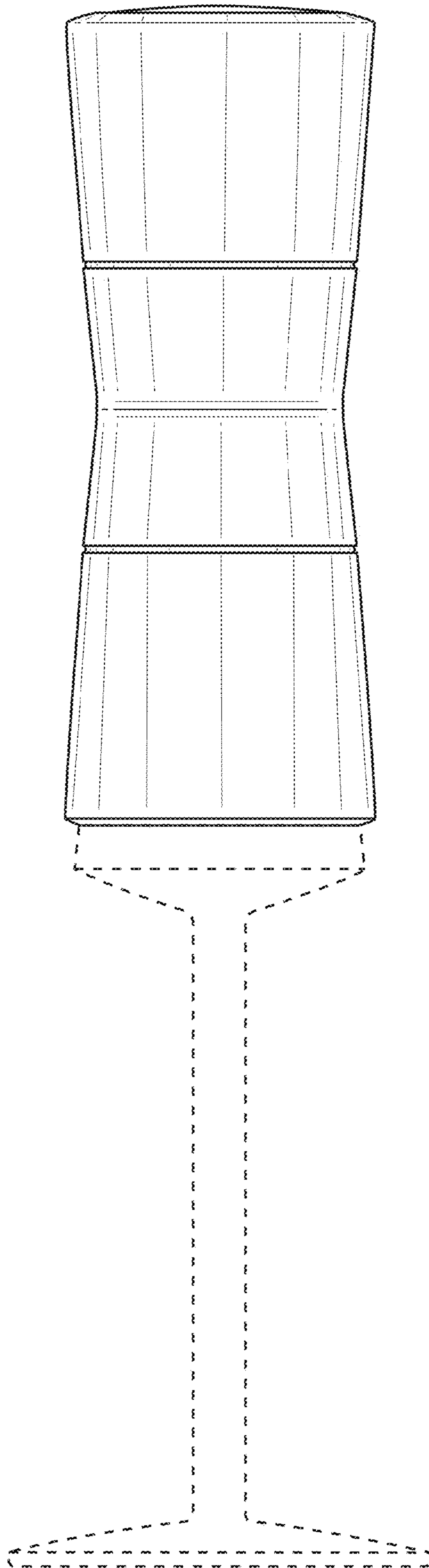


FIG. 5

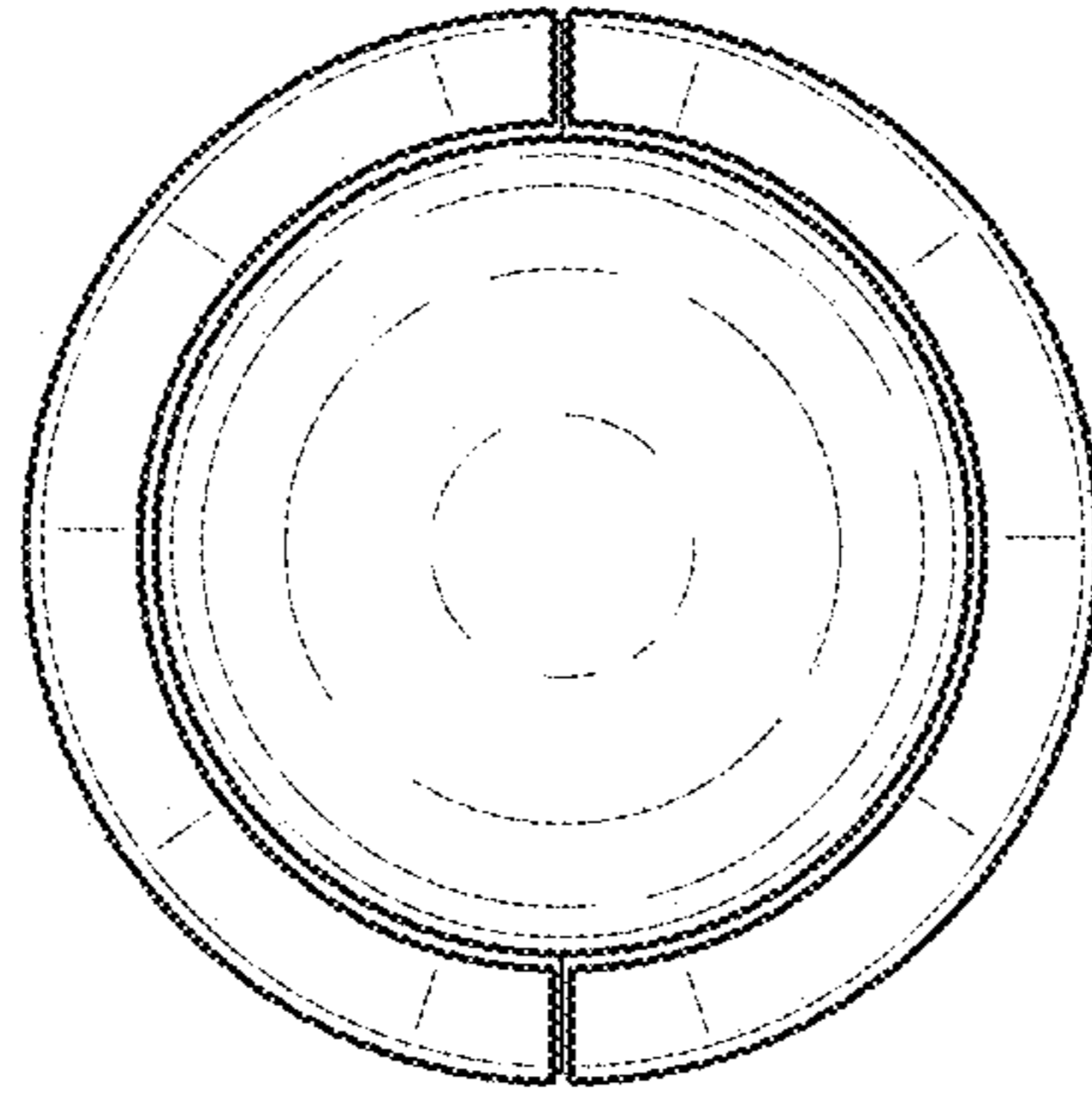


FIG. 6

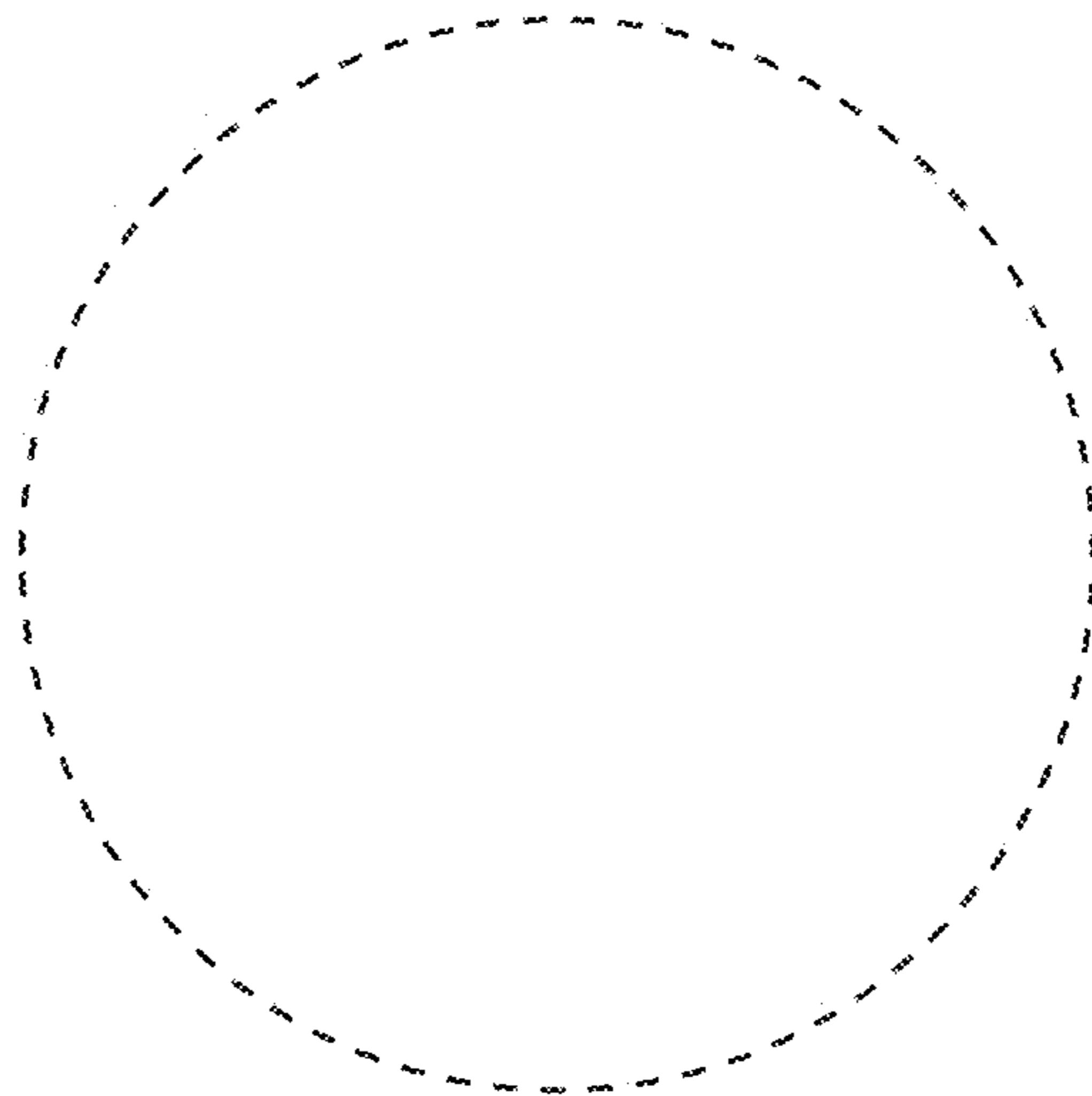


FIG. 7

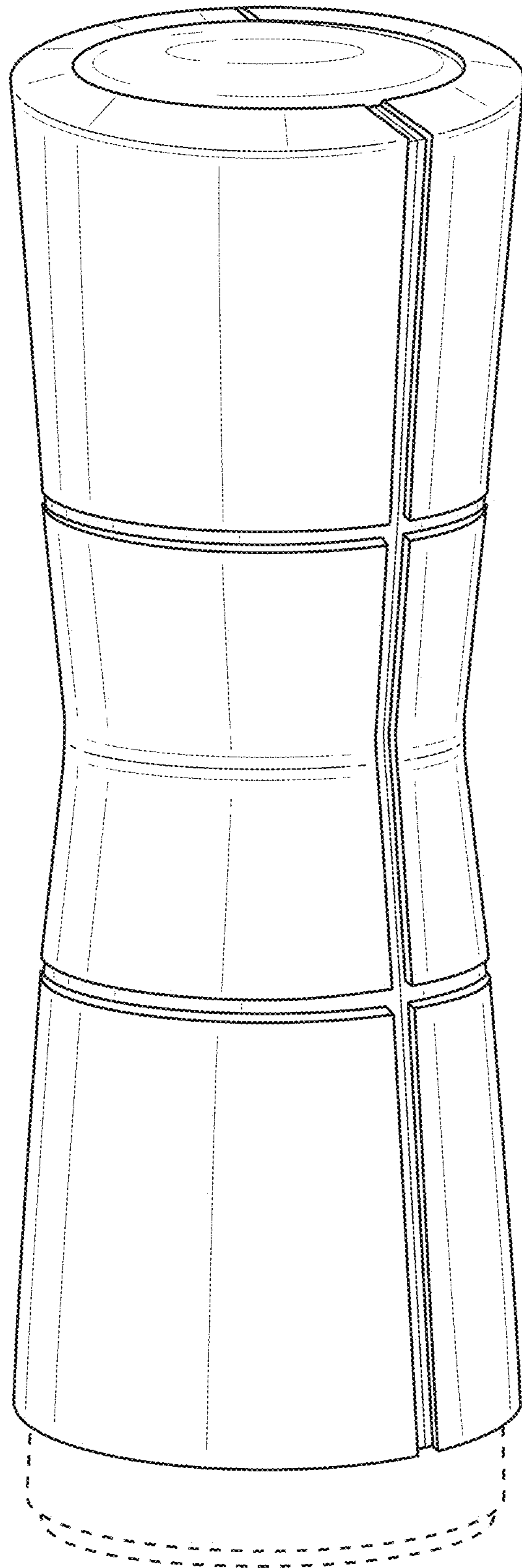


FIG. 8