



US00D890118S

(12) **United States Design Patent** (10) **Patent No.:** **US D890,118 S**
Hubert et al. (45) **Date of Patent:** **** Jul. 14, 2020**

(54) **SPEAKER**

(71) Applicant: **SAMSUNG ELECTRONICS CO., LTD.**, Suwon-si, Gyeonggi-do (KR)

(72) Inventors: **Benjamin Hubert**, London (GB); **Noe Baudouin**, London (GB)

(73) Assignee: **SAMSUNG ELECTRONICS CO., LTD.**, Gyeonggi-Do (KR)

(**) Term: **15 Years**

(21) Appl. No.: **29/660,258**

(22) Filed: **Aug. 20, 2018**

(30) **Foreign Application Priority Data**

Feb. 21, 2018 (KR) 30-2018-0008765

(51) **LOC (12) Cl.** **14-01**

(52) **U.S. Cl.**
USPC **D14/204**

(58) **Field of Classification Search**
USPC D14/204, 496, 214, 172, 216
CPC H04R 1/02; H04R 1/021; H04R 1/026;
H04R 1/028; H04R 1/403; H04R 1/2803;
H04R 5/02; H04R 9/06; H04R 9/13;
H04R 2201/021; H04R 2400/00; H04R
2499/11

See application file for complete search history.

(56) **References Cited**

U.S. PATENT DOCUMENTS

D186,892 S * 12/1959 Wilber D14/211
D222,072 S * 9/1971 Millburn D14/211
D415,159 S * 10/1999 Nakano D14/215
D430,142 S * 8/2000 Kuo D14/211
D465,469 S * 11/2002 Heath D10/104.1
D467,574 S * 12/2002 Suzuki D14/216
D494,633 S * 8/2004 Nussberger D21/324
D512,406 S * 12/2005 Shimizu D14/167

D526,644 S * 8/2006 Breit D14/216
D572,236 S * 7/2008 Oxford D14/211
D573,135 S * 7/2008 Laituri D14/168
D577,357 S * 9/2008 Poandl D14/216
D584,290 S * 1/2009 Lee D14/216
D586,780 S * 2/2009 Skurdal D14/211
D596,159 S * 7/2009 Yamaji D14/209.1
D609,709 S * 2/2010 Allo Allo D14/440
D647,810 S * 11/2011 Bohrer D10/106.9
D654,971 S * 2/2012 Januszek D21/682
D676,423 S * 2/2013 Joseph D14/216
D711,351 S * 8/2014 Breines D14/215
D714,787 S * 10/2014 Matsuoka D14/426

(Continued)

FOREIGN PATENT DOCUMENTS

EM 001102032-0001 7/2009
EM 003011600-0009 11/2016

(Continued)

Primary Examiner — Cynthia R Underwood

(74) *Attorney, Agent, or Firm* — Cantor Colburn LLP

(57) **CLAIM**

The ornamental design for a speaker, as shown and described.

DESCRIPTION

FIG. 1 is a front perspective view of a speaker, showing our new design according to a first embodiment;

FIG. 2 is a front view thereof;

FIG. 3 is a rear view thereof;

FIG. 4 is a left-side view thereof;

FIG. 5 is a right-side view thereof;

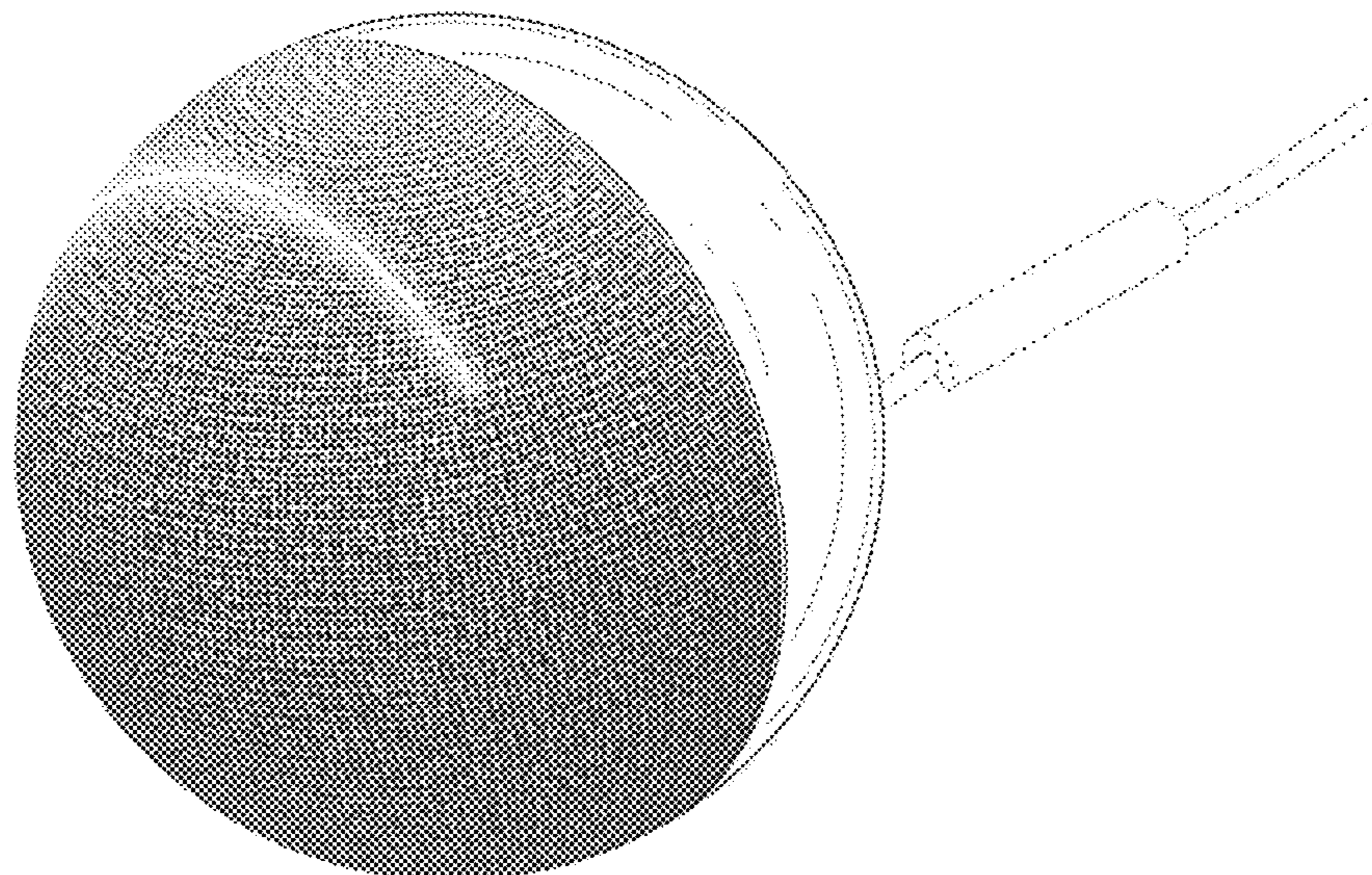
FIG. 6 is a top view thereof; and,

FIG. 7 is a bottom view thereof.

The even-dashed broken lines illustrating portions of the speaker form no part of the claimed design.

The grayscale shadings in FIGS. 1-2 and 4-6 represent color contrast.

1 Claim, 7 Drawing Sheets



(56)

References Cited

U.S. PATENT DOCUMENTS

D726,687 S * 4/2015 Minarik D14/192
 D730,872 S * 6/2015 Wan D14/216
 D732,006 S * 6/2015 Zhao D14/216
 D740,258 S * 10/2015 Yu D14/216
 D752,024 S * 3/2016 Kachwalla D14/216
 D752,548 S * 3/2016 Chen D14/207
 9,319,785 B2 * 4/2016 Lee H04R 3/005
 D756,327 S * 5/2016 Conti D14/204
 D756,957 S * 5/2016 Nysten D14/204
 D758,349 S * 6/2016 Chen D14/216
 D790,510 S * 6/2017 Xiao D14/216
 D793,363 S * 8/2017 Zhang D14/216
 D802,561 S * 11/2017 Manginello D14/216
 D813,192 S * 3/2018 Zeng D14/204
 D817,935 S * 5/2018 Zukowski D14/228
 10,003,873 B2 * 6/2018 Hanna H04R 1/028
 D822,004 S * 7/2018 Tan D14/216
 D828,333 S * 9/2018 Hu D14/216
 D829,688 S * 10/2018 Tanaka D14/216
 D834,000 S * 11/2018 Paslawski D14/216
 D842,276 S * 3/2019 Brunner D14/219
 D850,849 S * 6/2019 Ke D7/396.2

D851,529 S * 6/2019 Brainard D10/106.5
 D856,961 S * 8/2019 Suzuki D14/149
 D859,363 S * 9/2019 Chalabi D14/216
 D859,364 S * 9/2019 Chalabi D14/216
 D859,411 S * 9/2019 Bidwell D14/420
 D860,160 S * 9/2019 Wolman D14/204
 D860,167 S * 9/2019 Zhu D14/216
 10,405,075 B2 * 9/2019 Cheney A45C 13/00
 D863,247 S * 10/2019 Suzuki D14/149
 D866,519 S * 11/2019 Yanjie D14/216
 2006/0013411 A1 * 1/2006 Lin H04R 5/02
 381/87
 2008/0137880 A1 * 6/2008 Mills H04R 1/026
 381/79
 2012/0322631 A1 * 12/2012 Januszek A63B 21/072
 482/108
 2014/0193017 A1 * 7/2014 Fortin H04R 1/021
 381/334

FOREIGN PATENT DOCUMENTS

EM 003074632-0002 11/2016
 KR 300861442 S 8/2016
 KR 300873491 S 9/2016

* cited by examiner

FIG. 1

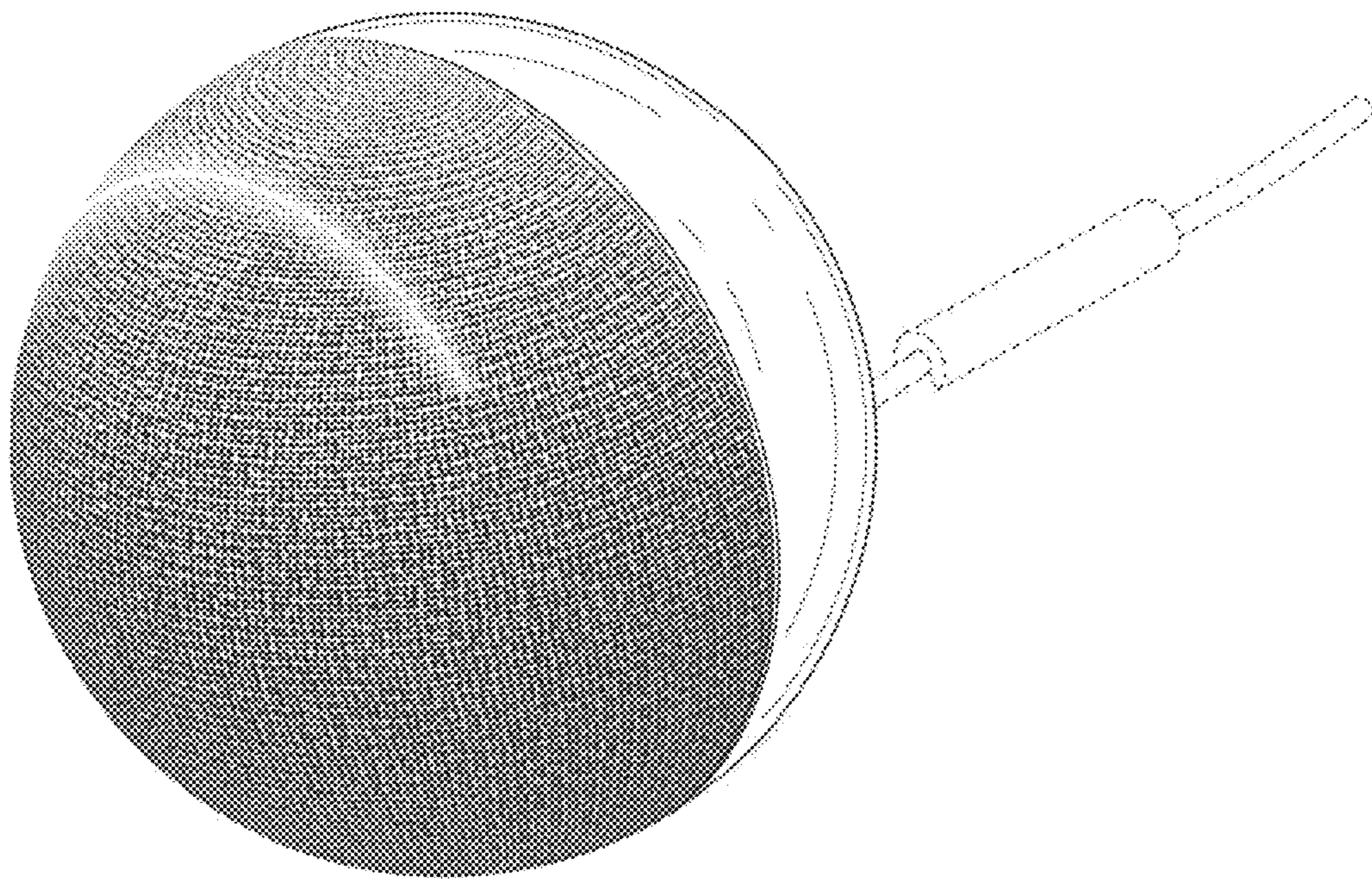


FIG. 2

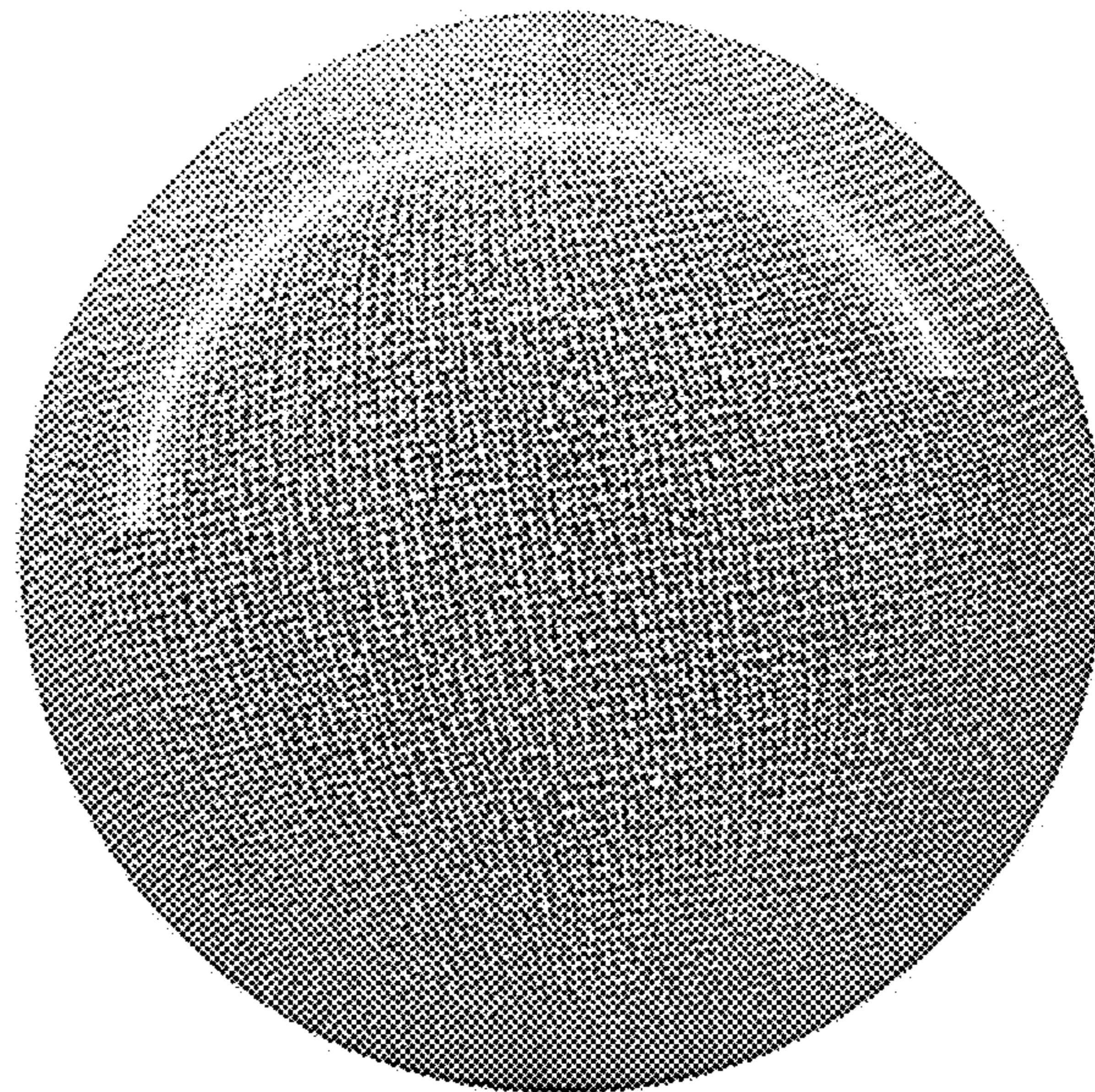


FIG. 3

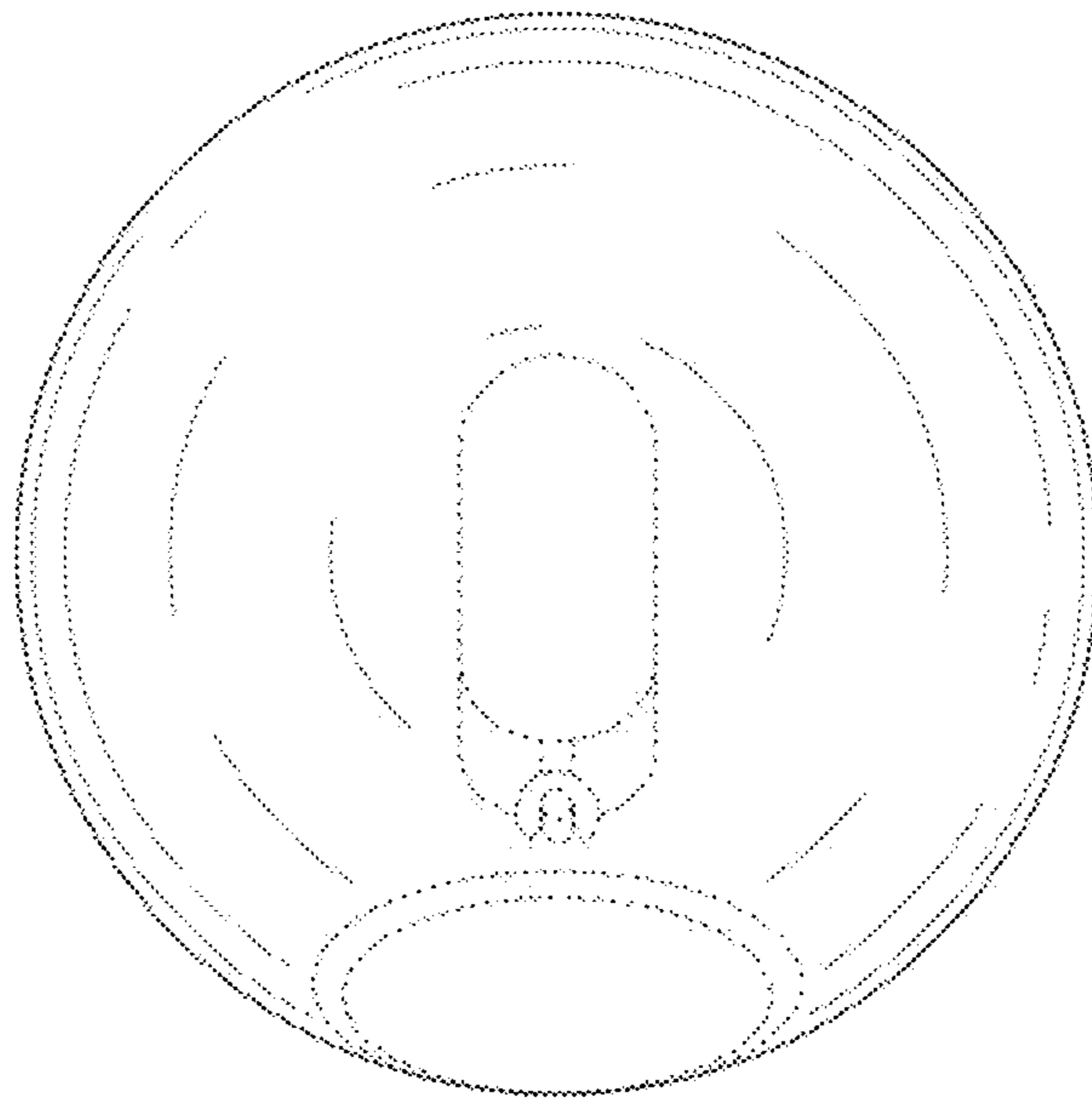


FIG. 4

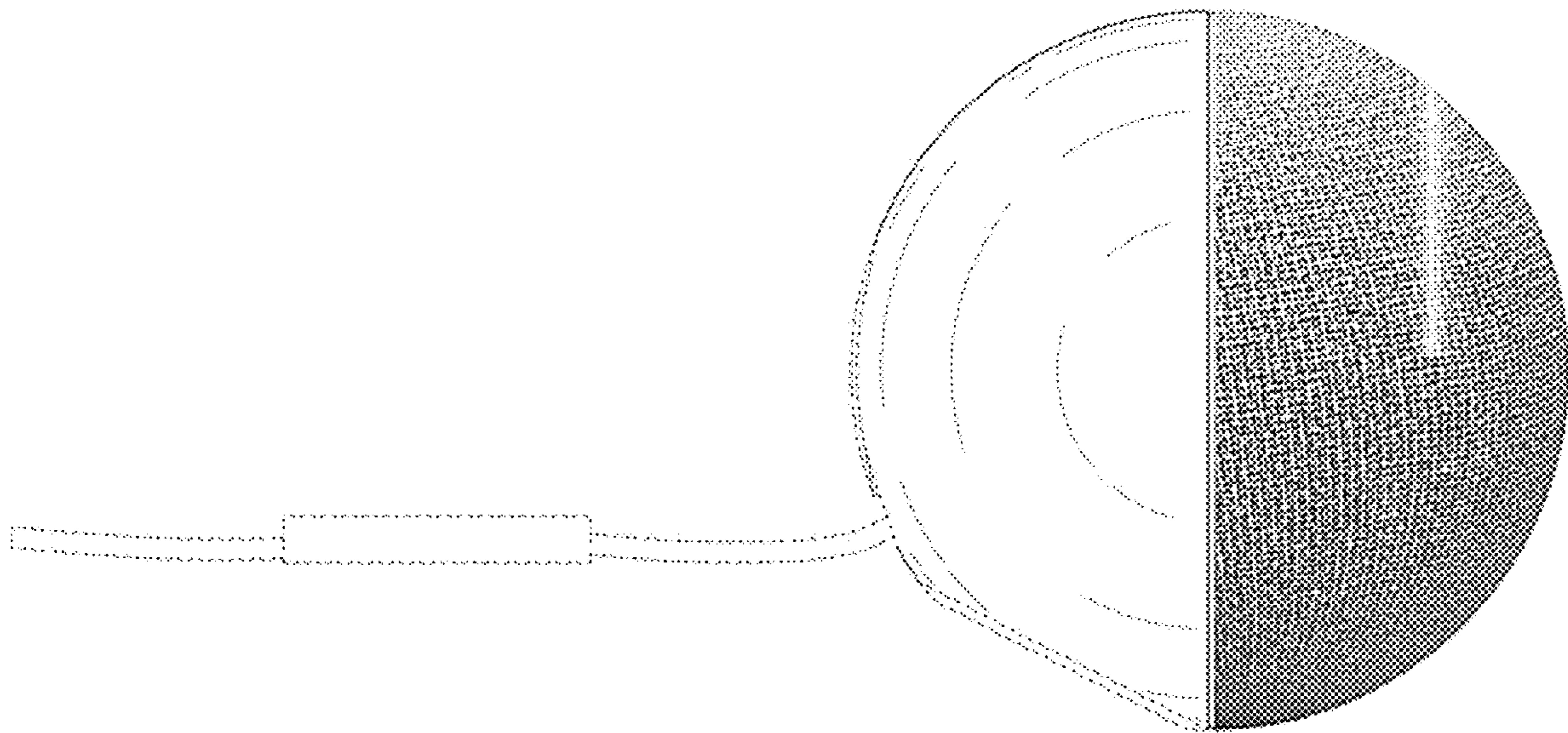


FIG. 5

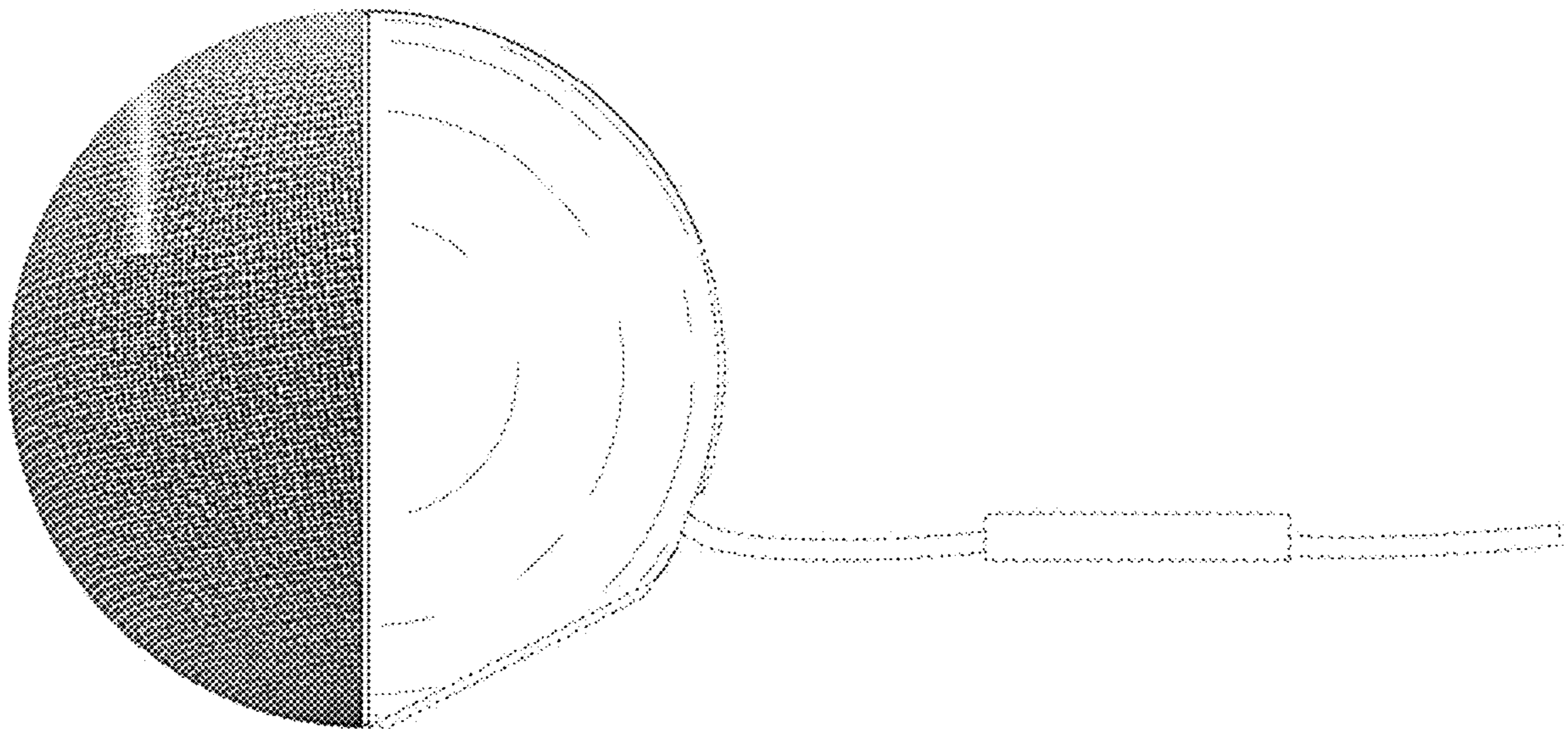


FIG. 6

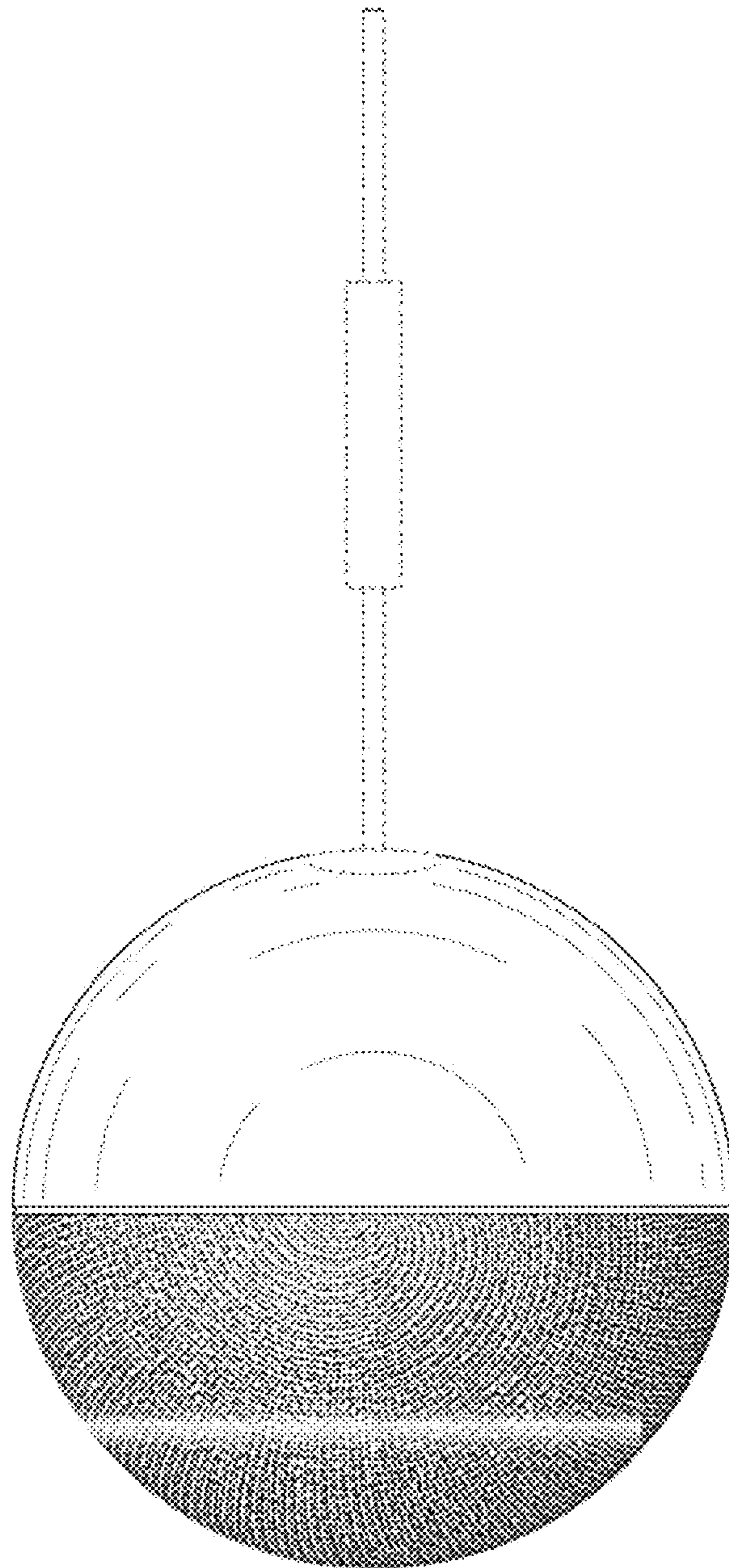


FIG. 7

