



US00D890116S

(12) **United States Design Patent**
McLain, III

(10) **Patent No.:** **US D890,116 S**
(45) **Date of Patent:** **** Jul. 14, 2020**

(54) **MEGAPHONE BELL**

(71) Applicant: **Negra Arroyo LLC**, Albuquerque, NM (US)

(72) Inventor: **Howard McMillan McLain, III**, Collierville, TN (US)

(73) Assignee: **Negra Arroyo LLC**, Albuquerque, NM (US)

(**) Term: **15 Years**

(21) Appl. No.: **29/677,131**

(22) Filed: **Jan. 17, 2019**

(51) **LOC (12) Cl.** **14-03**

(52) **U.S. Cl.**
USPC **D14/187**

(58) **Field of Classification Search**
USPC D14/167, 168, 170–172, 187, 188,
D14/194–196, 204, 207, 209.1, 210–216,
(Continued)

(56) **References Cited**

U.S. PATENT DOCUMENTS

D178,835 S * 9/1956 Hardesty D14/187
D179,569 S * 1/1957 Hardesty D14/187
(Continued)

Primary Examiner — Katie Jane Stofko

(74) *Attorney, Agent, or Firm* — Husch Blackwell LLP

(57) **CLAIM**

The ornamental design for a megaphone bell, as shown and described.

DESCRIPTION

FIG. 1 is a perspective view of the design of a megaphone bell showing the new design;

FIG. 2 is a front elevation view of the megaphone bell shown in FIG. 1 (the rear elevation view of the megaphone bell is a mirror image of the view shown in FIG. 2);

FIG. 3 is a right side elevation view of the megaphone bell shown in FIG. 1 (the left side elevation view of the megaphone bell is a mirror image of the view shown in FIG. 3); FIG. 4 is a top plan view of the megaphone bell shown in FIG. 1;

FIG. 5 is a bottom plan view of the megaphone bell shown in FIG. 1;

FIG. 6 is a perspective view of the design of a second embodiment of a megaphone bell showing the new design; FIG. 7 is a front elevation view of the megaphone bell shown in FIG. 6 (the rear elevation view of the megaphone bell is a mirror image of the view shown in FIG. 7);

FIG. 8 is a right side elevation view of the megaphone bell shown in FIG. 6 (the left side elevation view of the megaphone bell is a mirror image of the view shown in FIG. 8); FIG. 9 is a top plan view of the megaphone bell shown in FIG. 6;

FIG. 10 is a bottom plan view of the megaphone bell shown in FIG. 6;

FIG. 11 is a perspective view of the design of a third embodiment of a megaphone bell showing the new design; FIG. 12 is a front elevation view of the megaphone bell shown in FIG. 11 (the rear elevation view of the megaphone bell is a mirror image of the view shown in FIG. 12);

FIG. 13 is a left elevation view of the megaphone bell shown in FIG. 11;

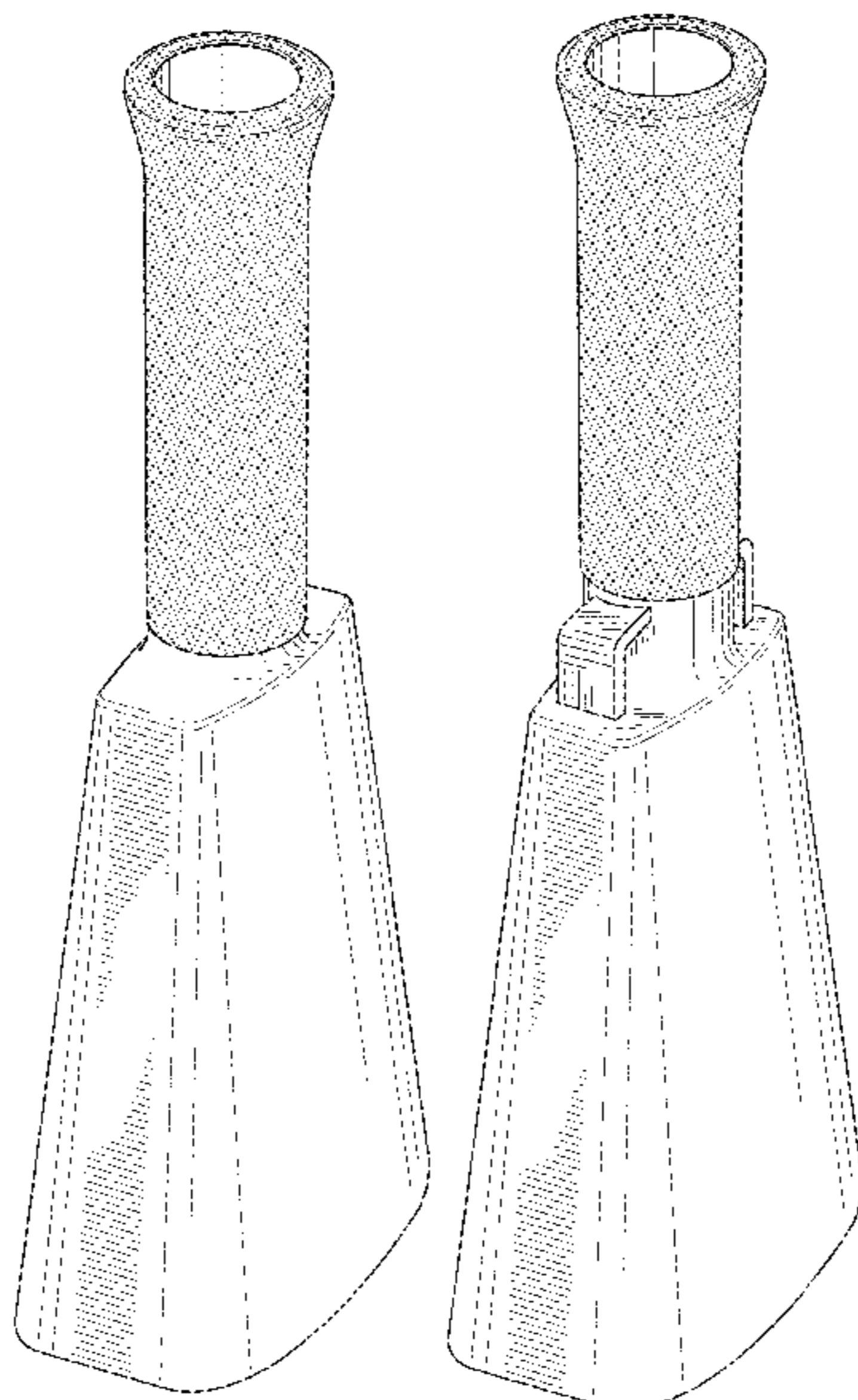
FIG. 14 is a top plan view of the megaphone bell shown in FIG. 11; and,

FIG. 15 is a bottom plan view of the megaphone bell shown in FIG. 11.

The broken lines in FIGS. 4, 5, 9, 10, 14 and 15 illustrate portions of the megaphone bell that form no part of the claimed design.

The darker stippled shading and the lighter line shading shown in FIGS. 1-15 represent a contrasting appearance.

1 Claim, 9 Drawing Sheets



(58) **Field of Classification Search**

USPC D14/219, 221, 222, 224, 239, 496;
181/143, 144, 147, 148, 150, 153, 157,
181/198, 199; 381/300-303, 306, 332,
381/333, 336, 345, 361-364, 386-388;
369/6-12
CPC B60R 11/0217; G06F 1/1688; G10K 9/22;
G10K 11/004; H03F 1/327; H04M 1/03;
H04M 1/035; H04N 5/642; H04N
21/4852; H04R 1/02; H04R 1/06; H04R
1/021; H04R 1/025; H04R 1/026; H04R
1/028; H04R 1/105; H04R 1/323; H04R
1/403; H04R 1/2803; H04R 1/2834;
H04R 5/02; H04R 7/20; H04R 9/06;
H04R 9/025; H04R 2201/021; H04R
2400/00; H04R 2201/07; H04R 2499/11;
H04R 2499/13; H04R 2499/15; H04S
3/00; H04S 7/30

See application file for complete search history.

(56)

References Cited

U.S. PATENT DOCUMENTS

2,818,829 A * 1/1958 Hendricks G10K 1/071
116/2
D183,279 S * 7/1958 Hardesty D14/187
D184,658 S * 3/1959 Berger D14/187
D274,328 S * 6/1984 Phelps D14/204
4,566,400 A * 1/1986 Keenan G10K 1/072
116/149
4,685,532 A * 8/1987 Guinness G10K 11/025
181/185
5,010,798 A * 4/1991 Malta G10K 1/071
116/171
D376,625 S * 12/1996 Washburn D10/116.1
D378,921 S * 4/1997 Bohannan D10/120
D814,441 S * 4/2018 Hanna D14/214
2015/0195643 A1 * 7/2015 Smithers H04R 1/30
381/340

* cited by examiner

FIG. 1

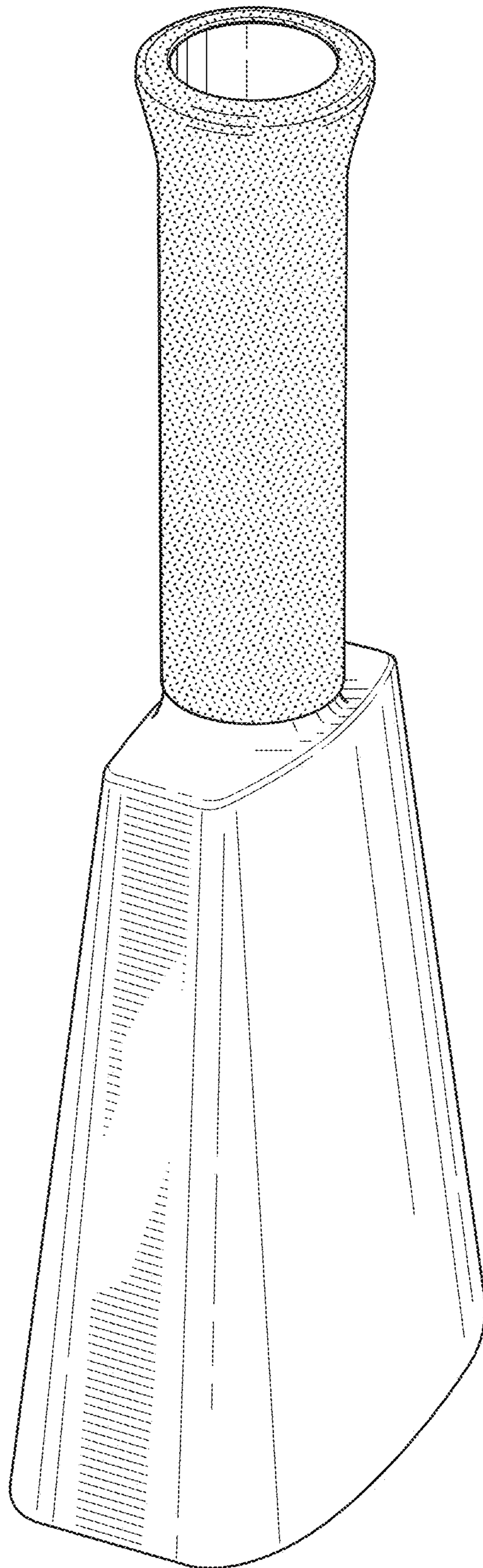


FIG. 2

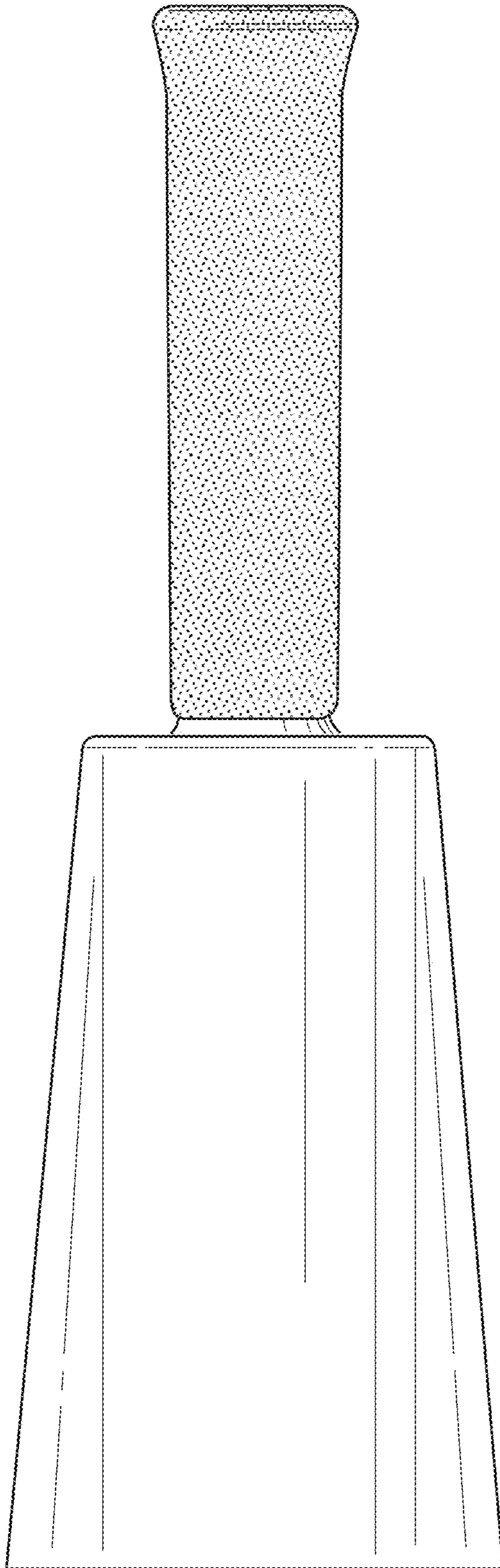


FIG. 3

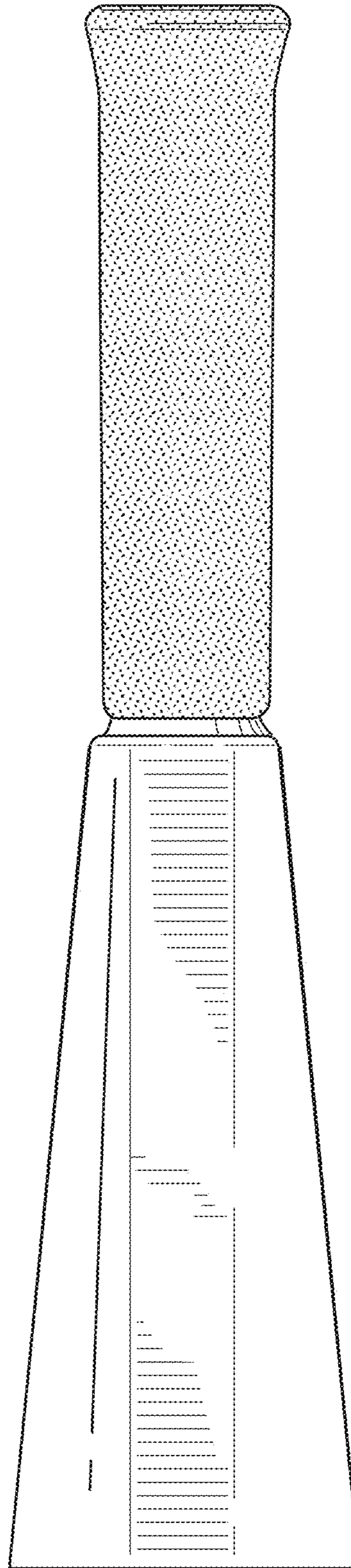


FIG. 4

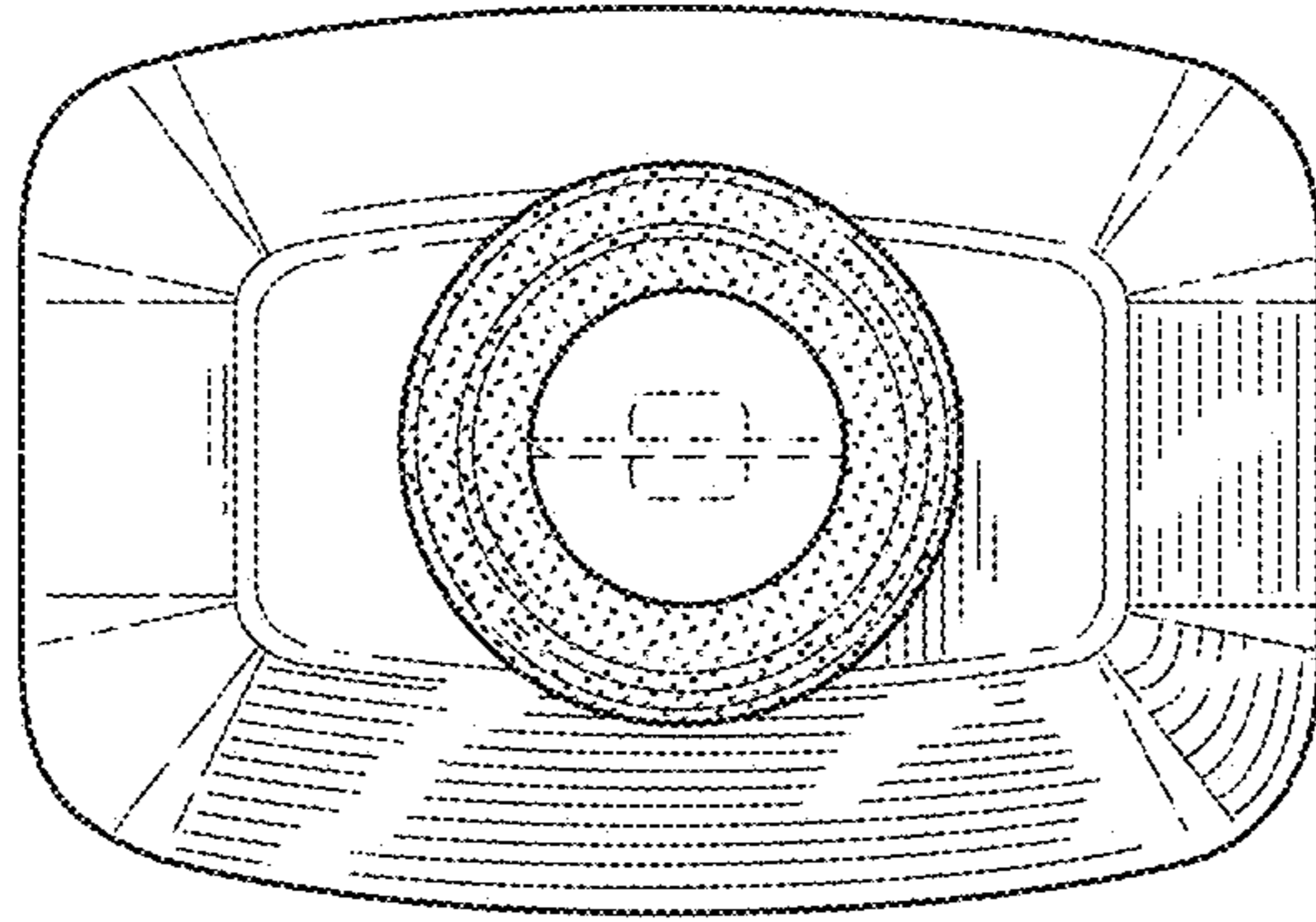


FIG. 5

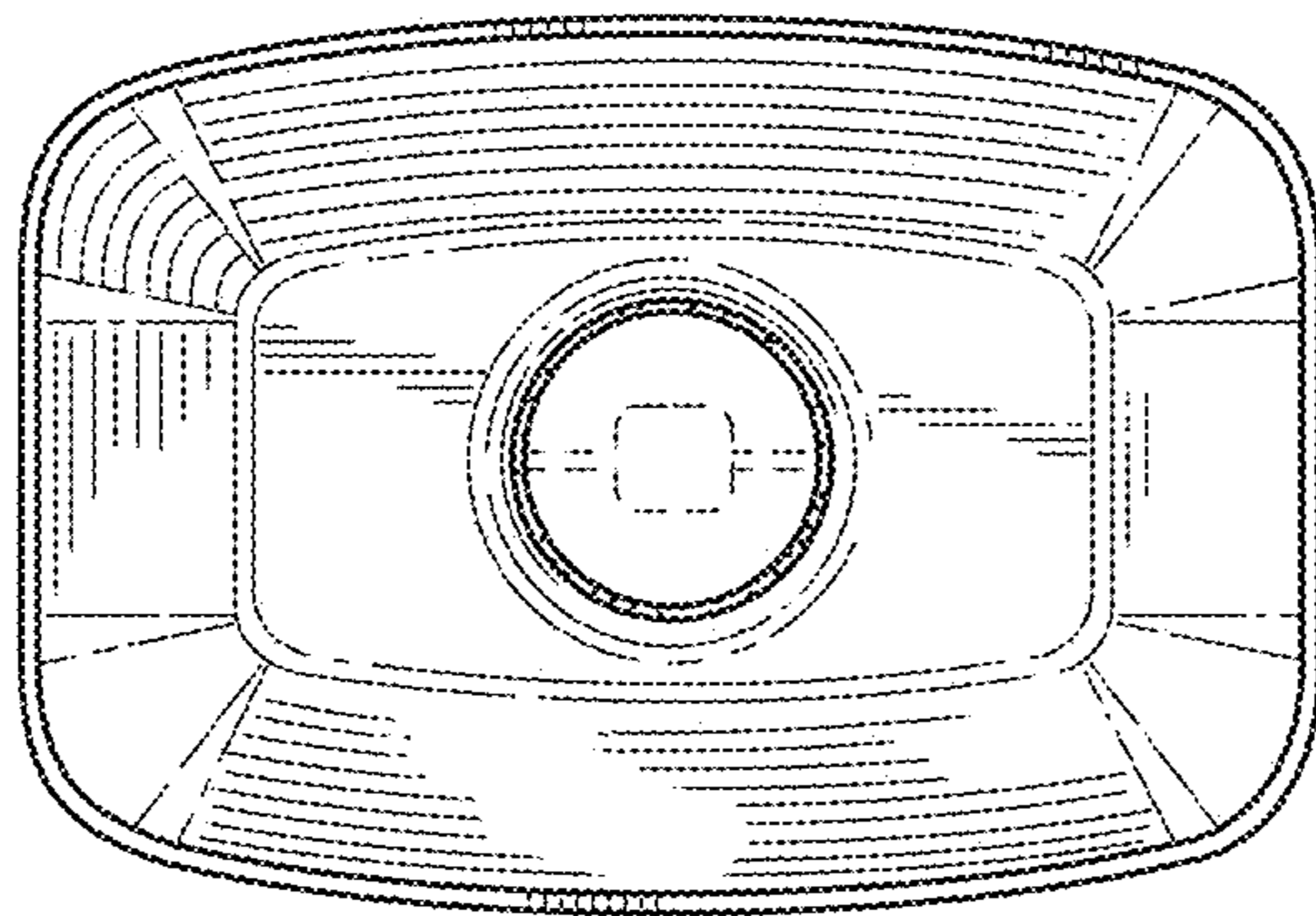


FIG. 6

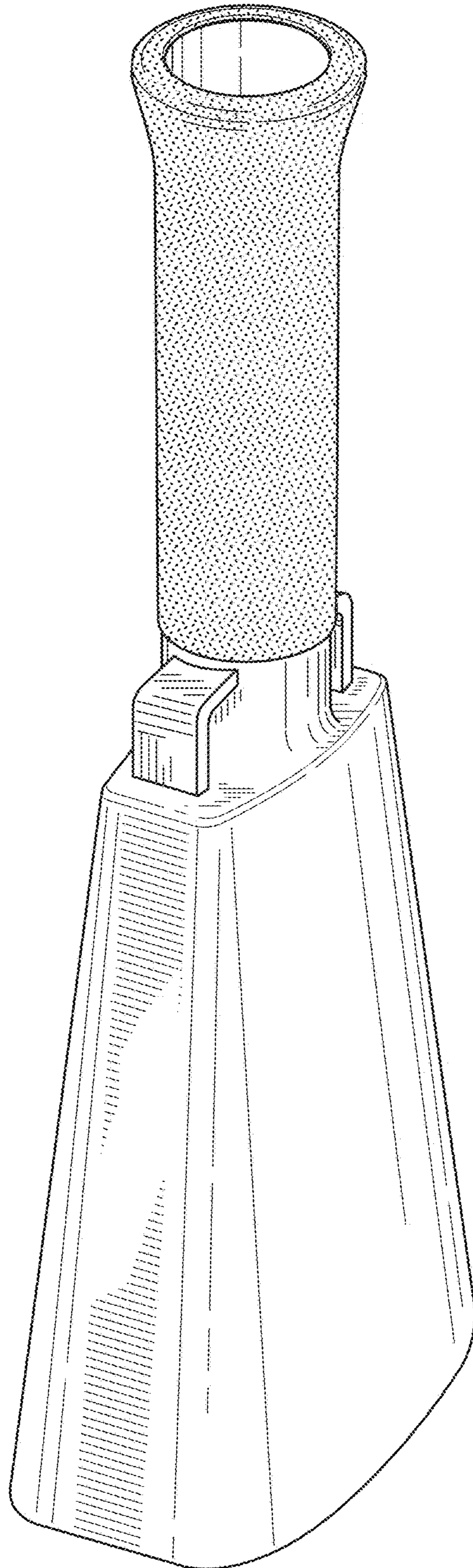


FIG. 7

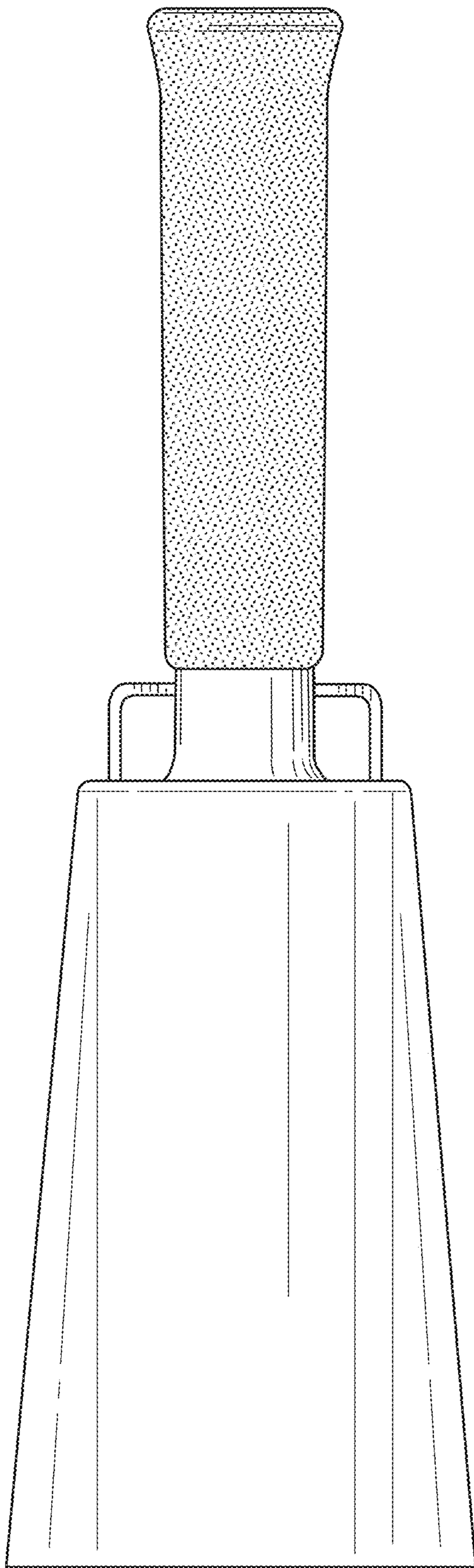


FIG. 8

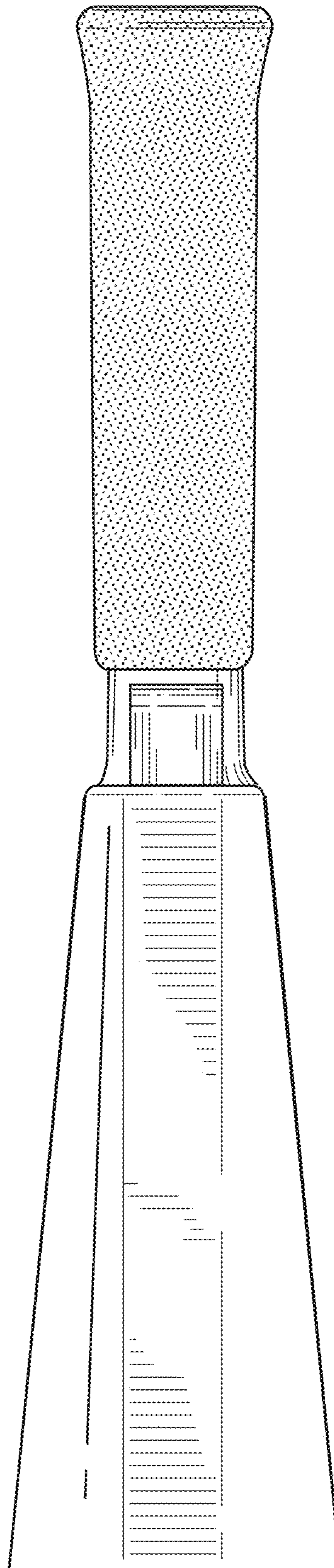


FIG. 9

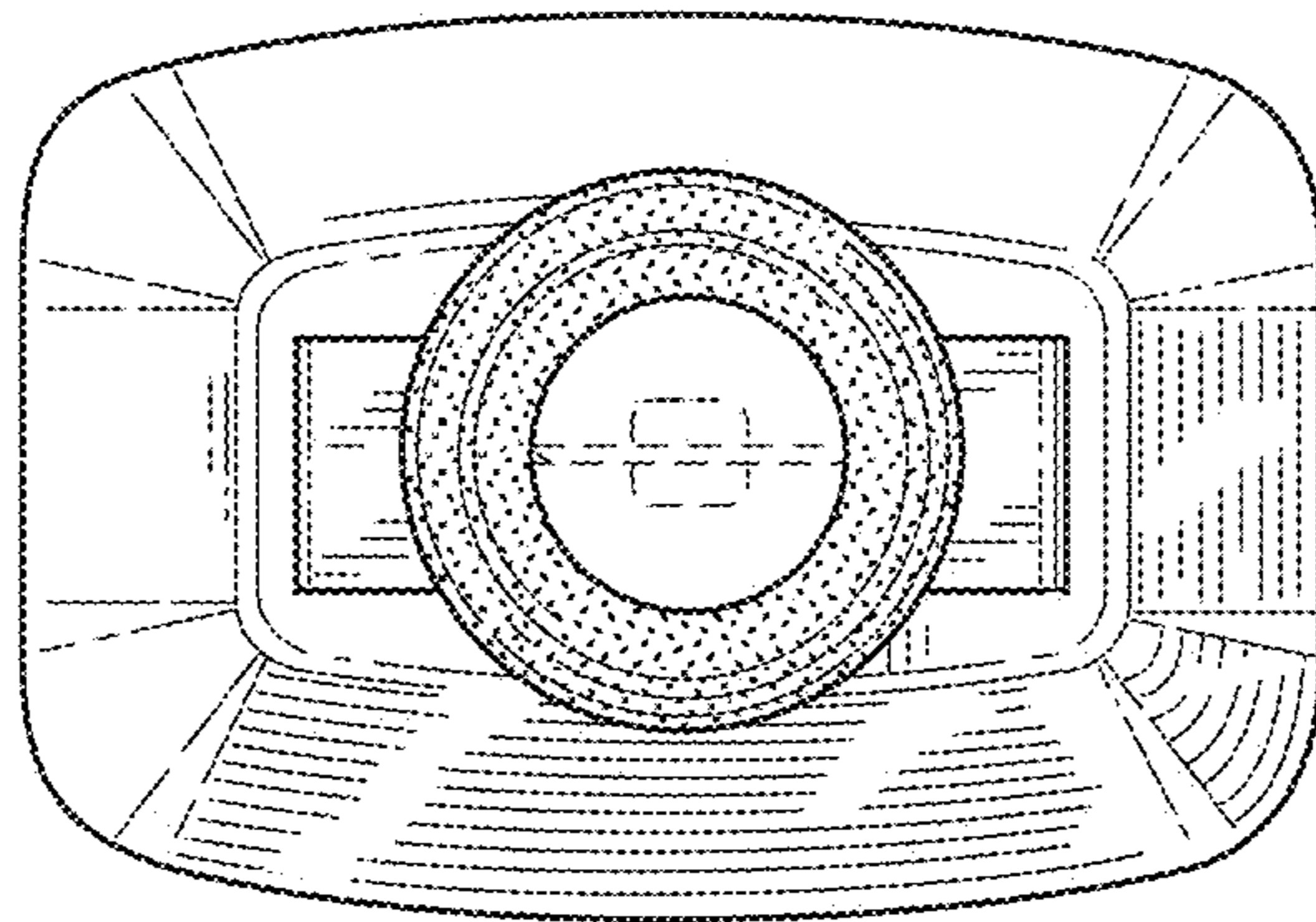


FIG. 10

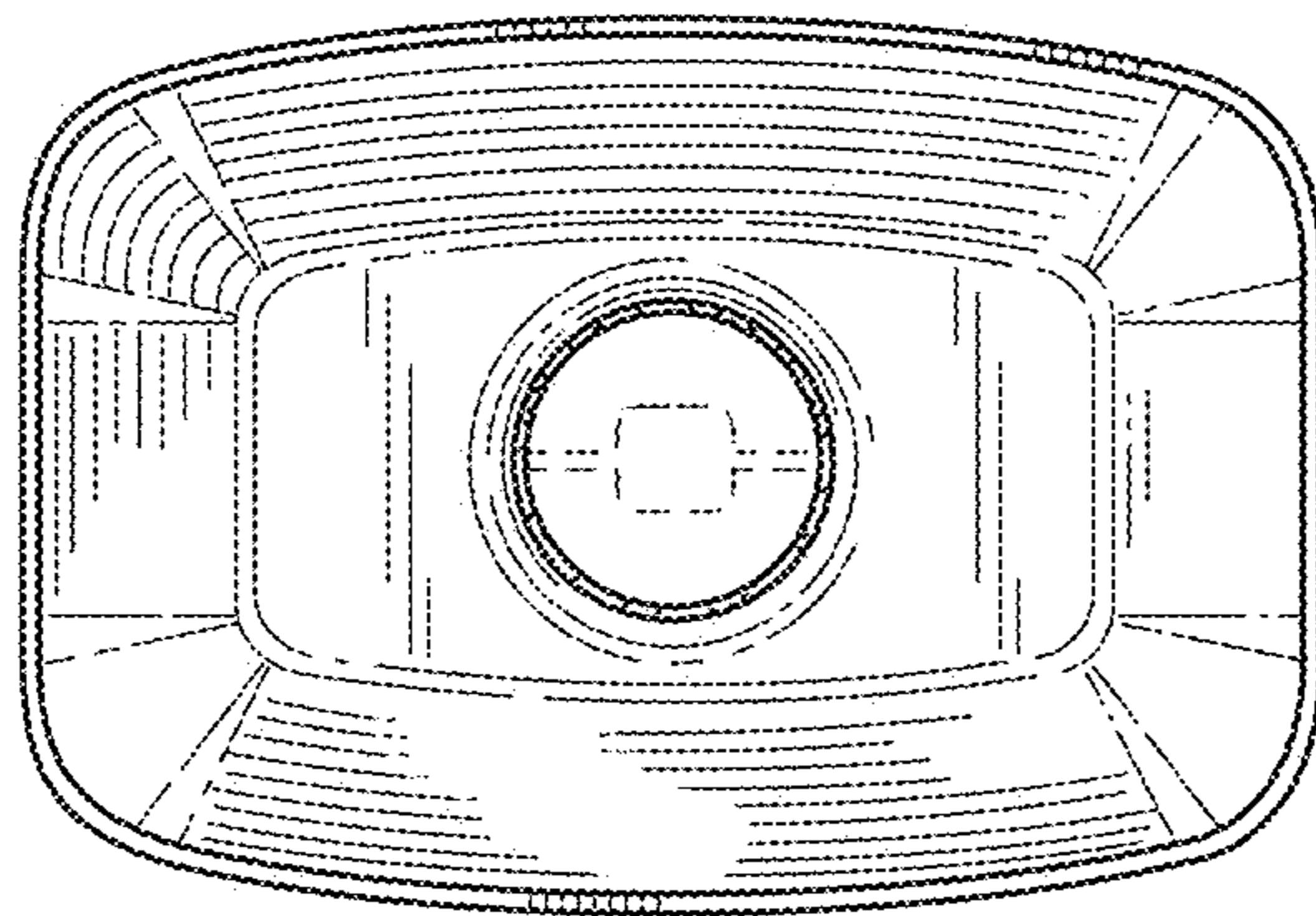


FIG. 11

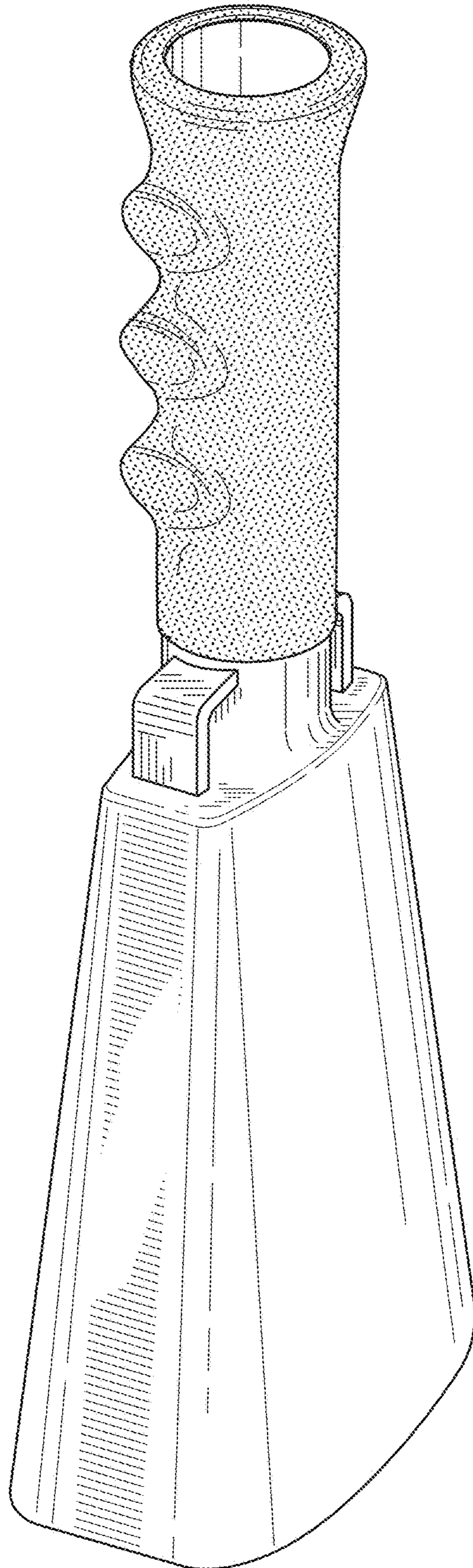


FIG. 12

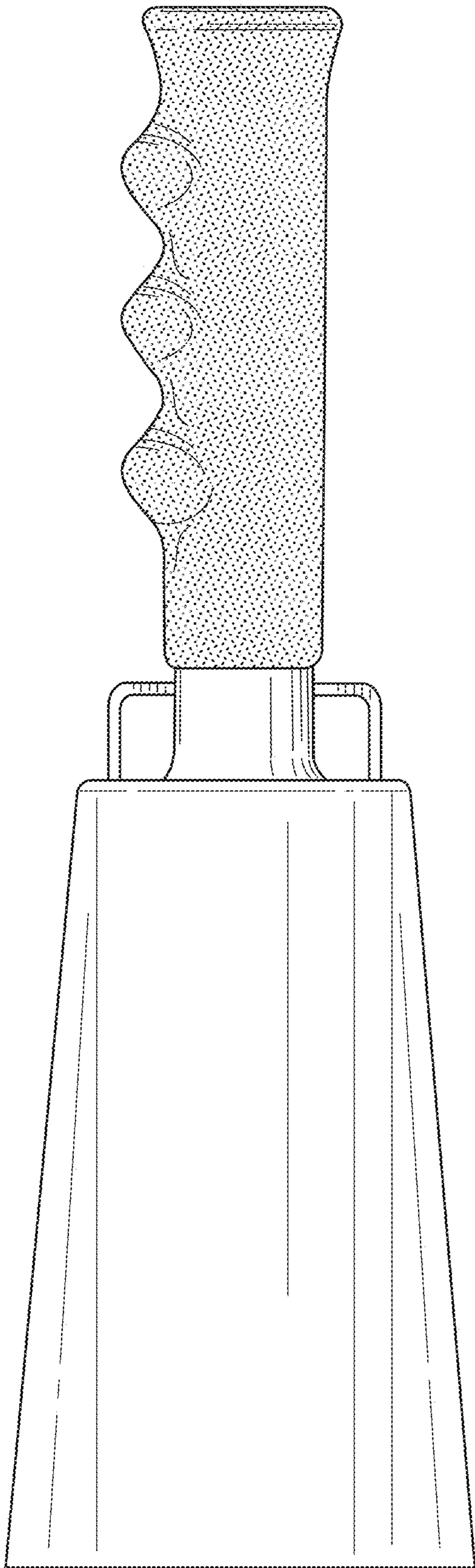


FIG. 13

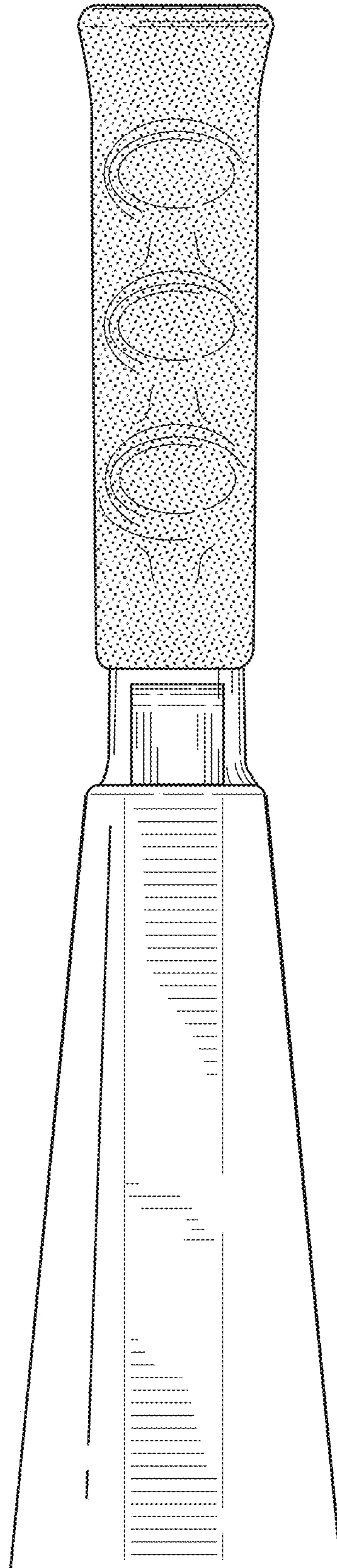


FIG. 14

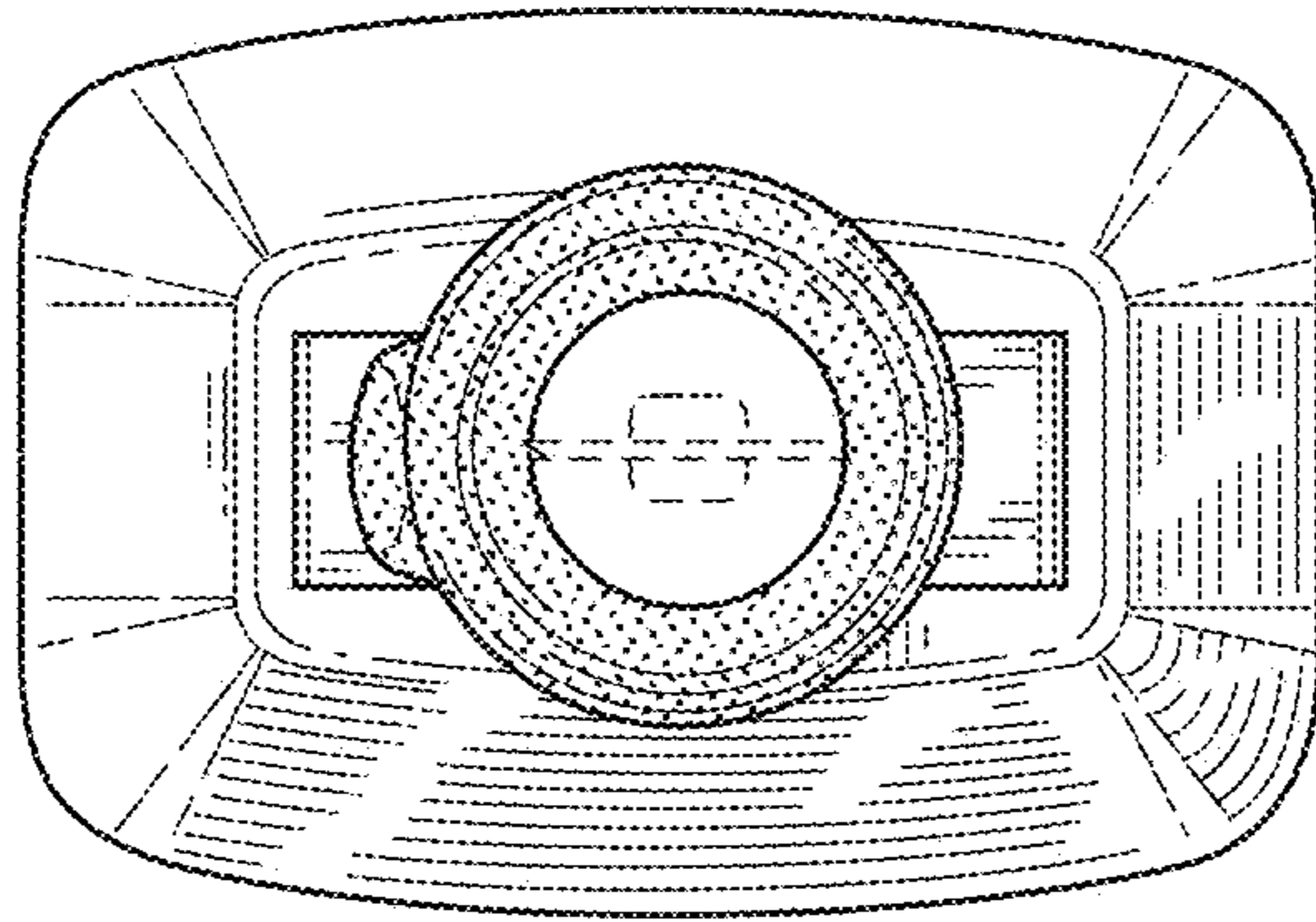


FIG. 15

