



US00D890115S

(12) **United States Design Patent**
Brach

(10) **Patent No.:** **US D890,115 S**

(45) **Date of Patent:** **** Jul. 14, 2020**

(54) **COMBINED MEGAPHONE AND FLASHLIGHT**

(71) Applicant: **Sound Around, Inc.**, Brooklyn, NY (US)

(72) Inventor: **Zigmond Brach**, Brooklyn, NY (US)

(73) Assignee: **SOUND AROUND, INC.**, Brooklyn, NY (US)

(**) Term: **15 Years**

(21) Appl. No.: **29/636,313**

(22) Filed: **Feb. 7, 2018**

(51) **LOC (12) Cl.** **14-03**

(52) **U.S. Cl.**
USPC **D14/187**

(58) **Field of Classification Search**
USPC D10/119.1, 120; D14/158, 167, 168, D14/170-172, 185-188, 204, 207, 208, D14/210, 214, 221, 222; 181/144, 147, 181/148, 150, 152-155, 157, 159, 171, 181/174, 178, 189; 359/804, 805, 359/809-811; 381/24, 153, 159, 182
CPC H04R 1/02; G10K 11/08; G10K 11/16; G10K 15/02; H04B 1/38; H04M 1/00
See application file for complete search history.

(56) **References Cited**

U.S. PATENT DOCUMENTS

D144,698 S * 5/1946 Dalrymple D14/187
D168,578 S * 1/1953 Levinson D14/187

D253,401 S * 11/1979 Benson D10/120
D292,895 S * 11/1987 Hayashi D10/120
D353,845 S * 12/1994 Kino D21/411
D361,536 S * 8/1995 Pagani D10/120
D664,810 S * 8/2012 Borrello D7/515
2005/0075045 A1* 4/2005 Williamson, III A01M 31/00
446/484

* cited by examiner

Primary Examiner — Janice Patyk

(74) *Attorney, Agent, or Firm* — Ostrolenk Faber LLP

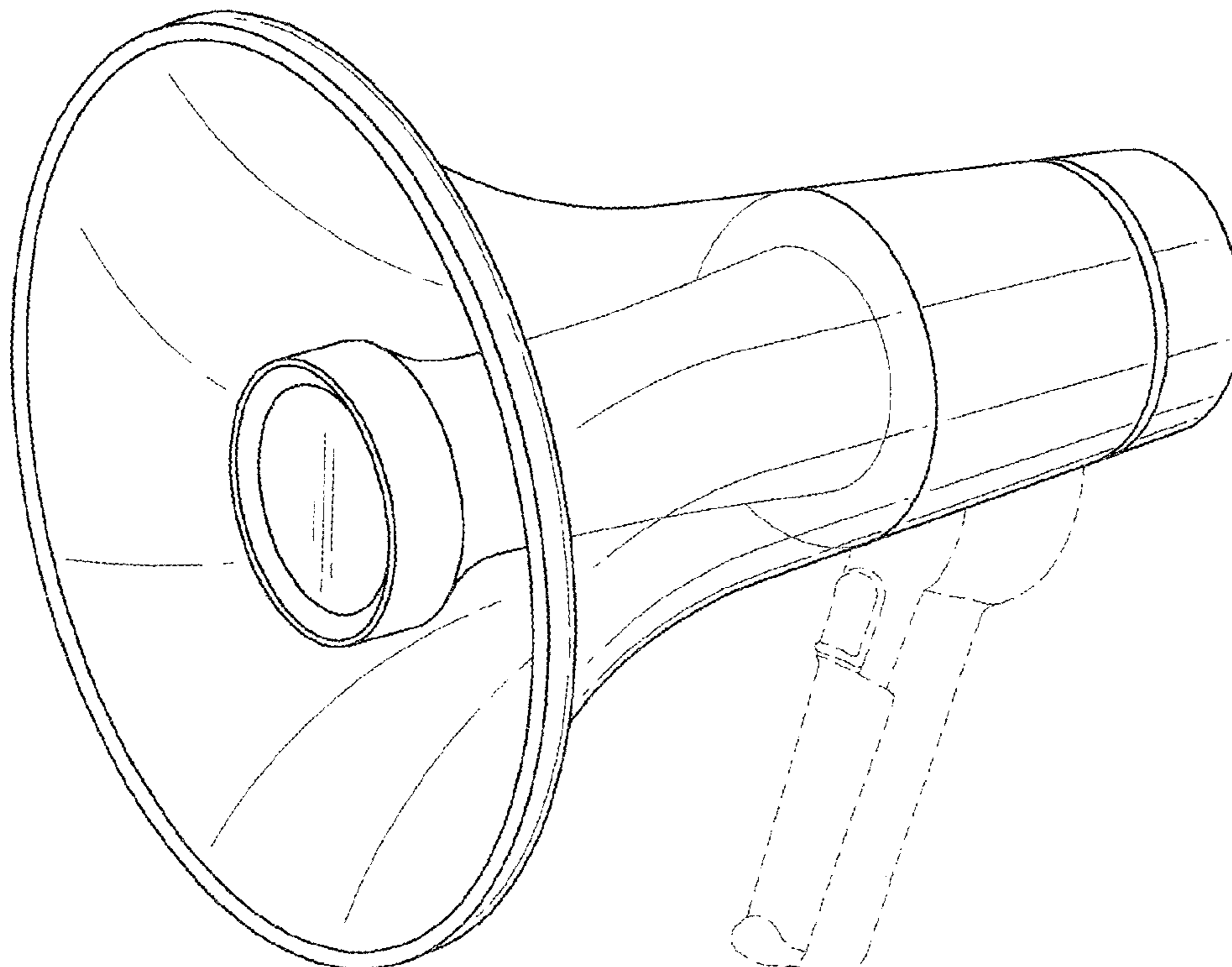
(57) **CLAIM**

The ornamental design for a combined megaphone and flashlight, as shown and described.

DESCRIPTION

FIG. 1 is a perspective view of a combined megaphone and flashlight, showing my new design;
FIG. 2 is a right side view thereof, the left side view being a mirror image thereof;
FIG. 3 is a top view thereof;
FIG. 4 is a front view thereof; and,
FIG. 5 is a rear view thereof.
The broken lines in the figures illustrate the portions of the design that form no part of the claimed design.

1 Claim, 3 Drawing Sheets



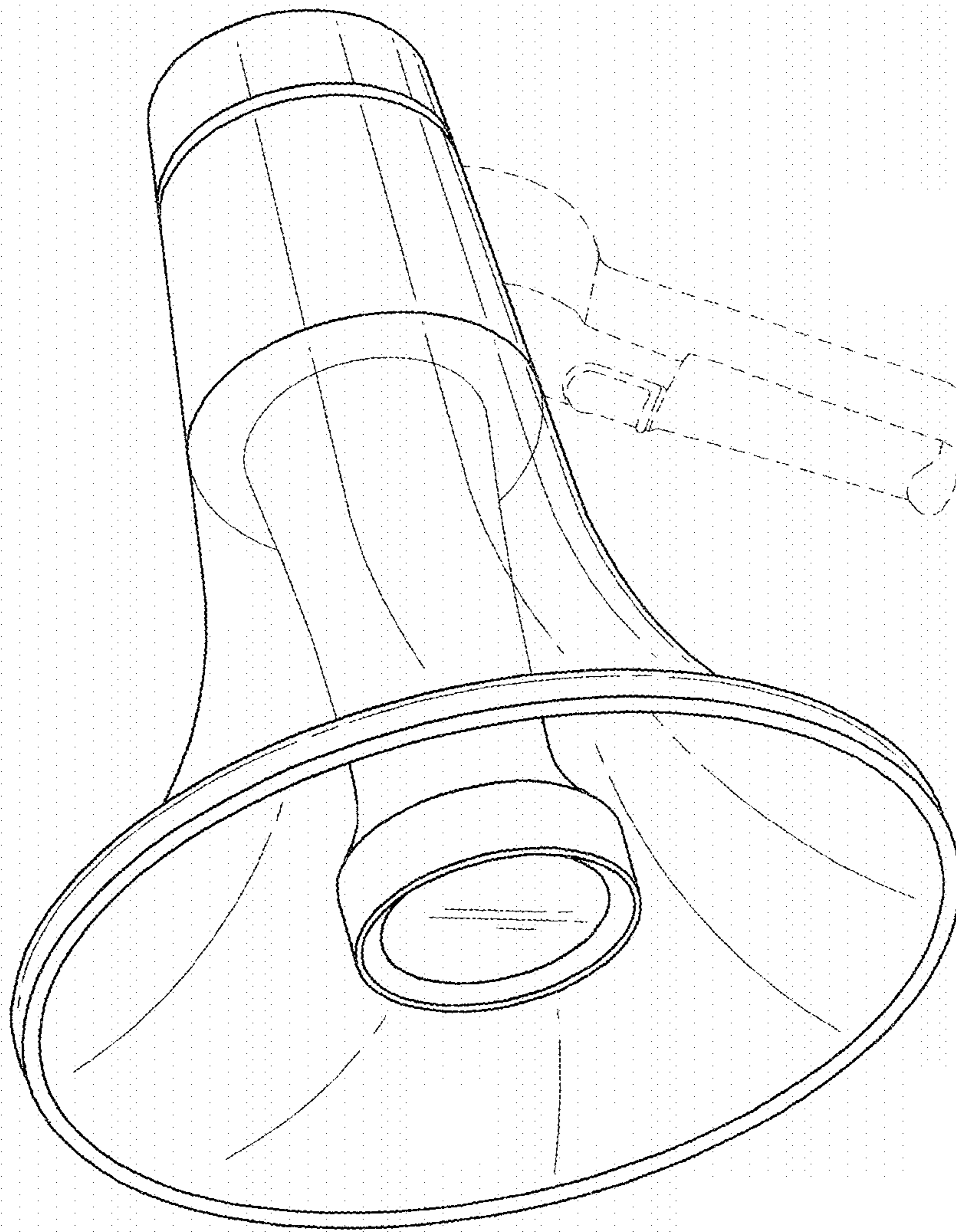


FIG. 1

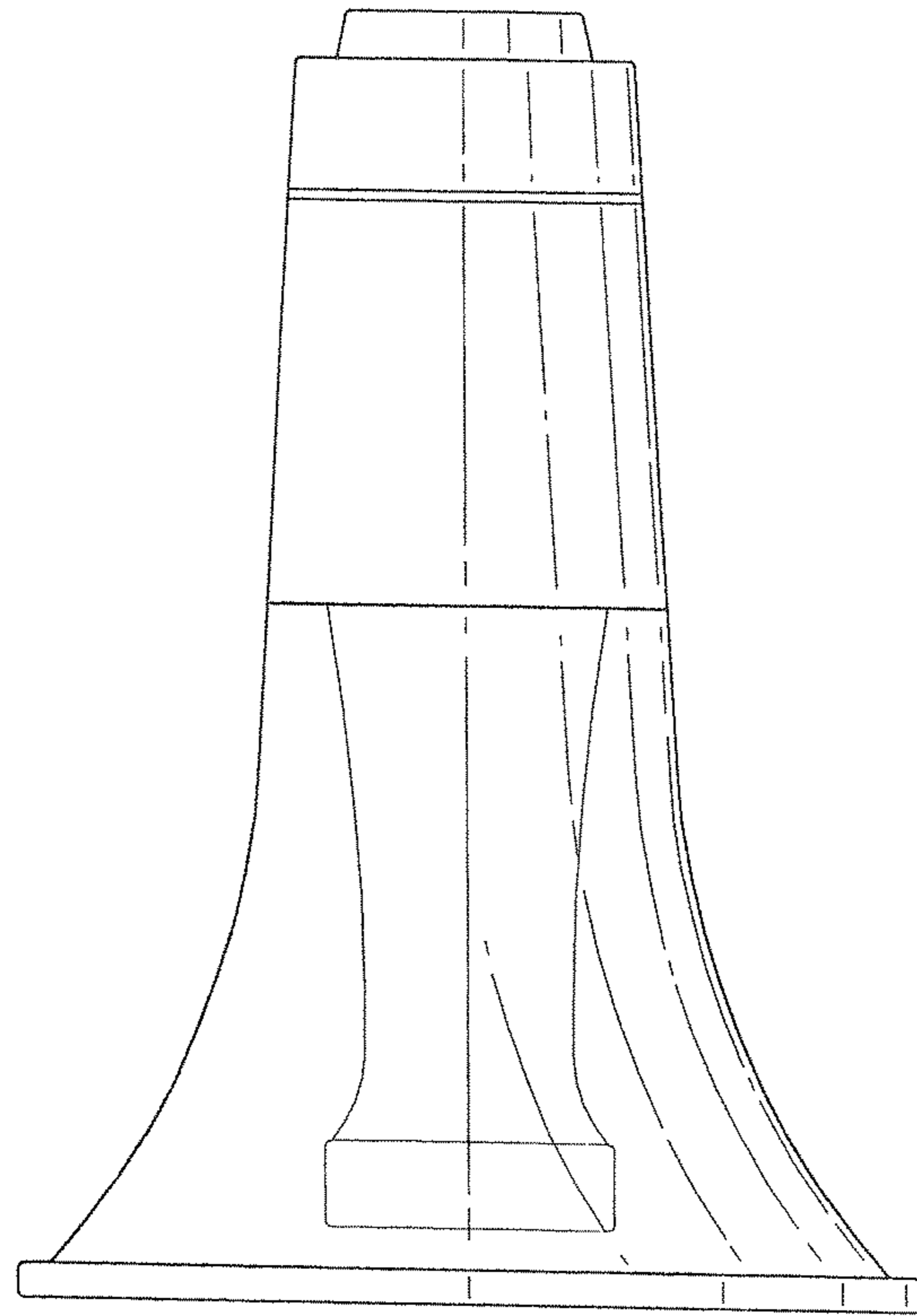


FIG. 3

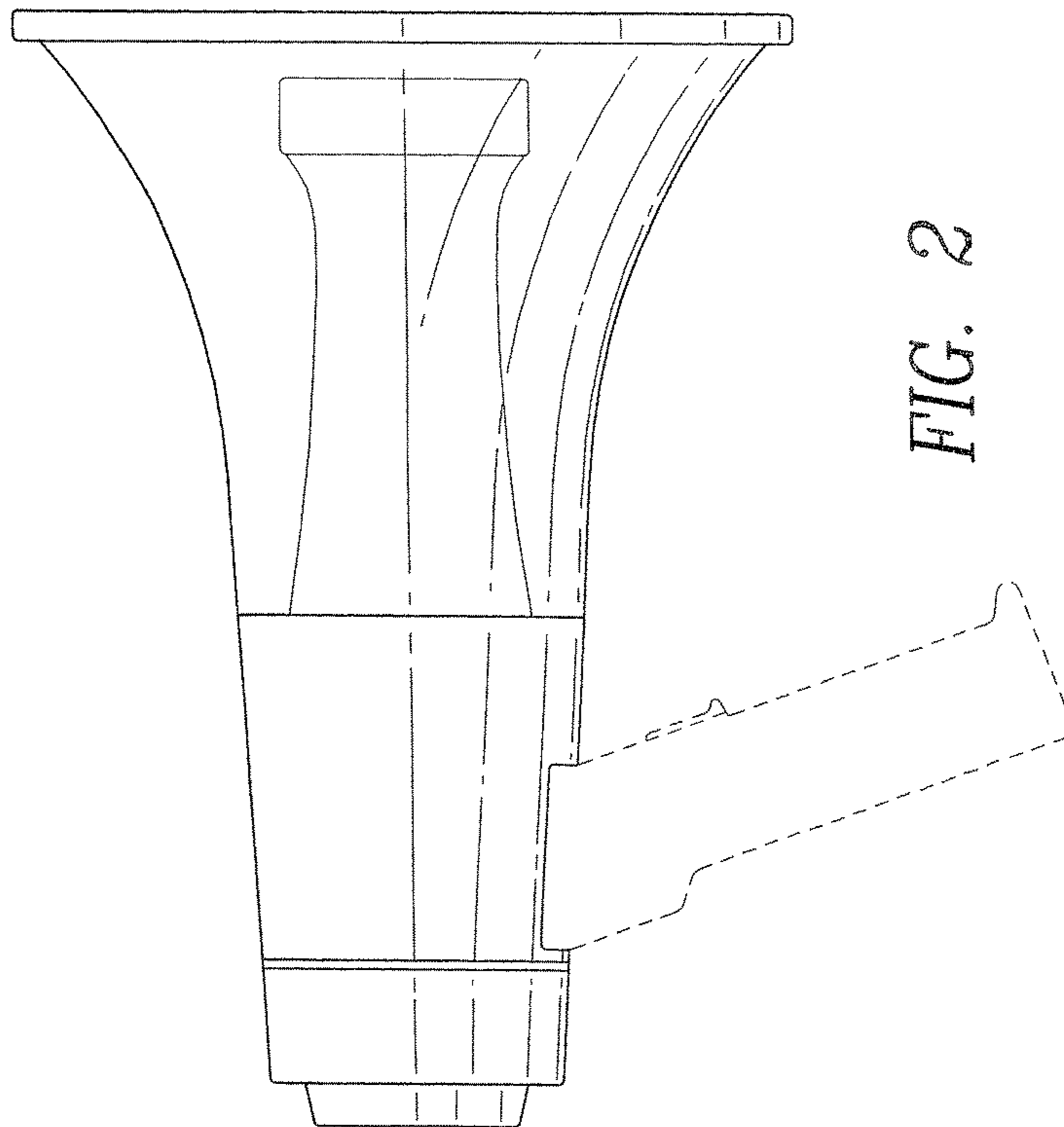


FIG. 2

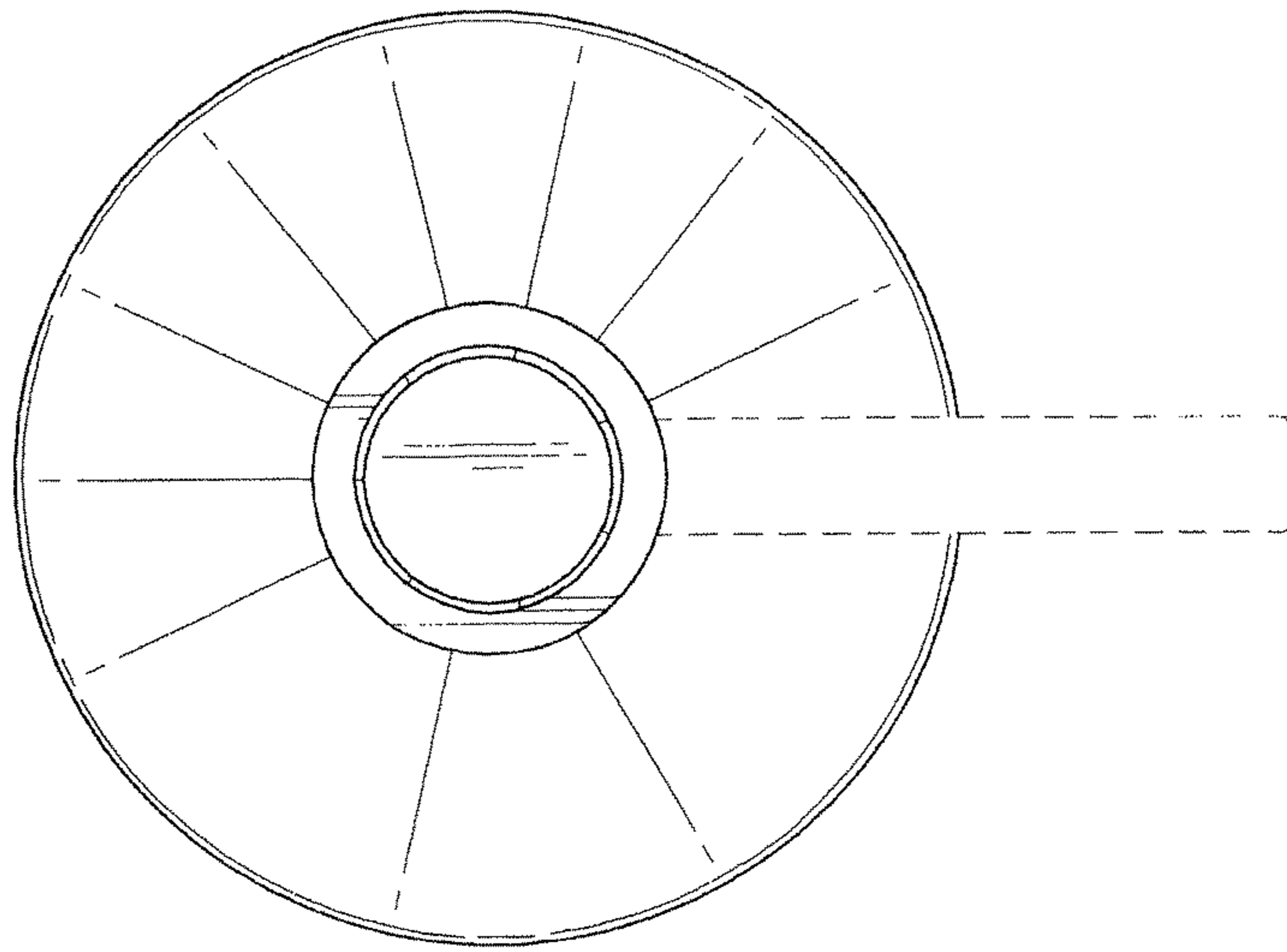


FIG. 5

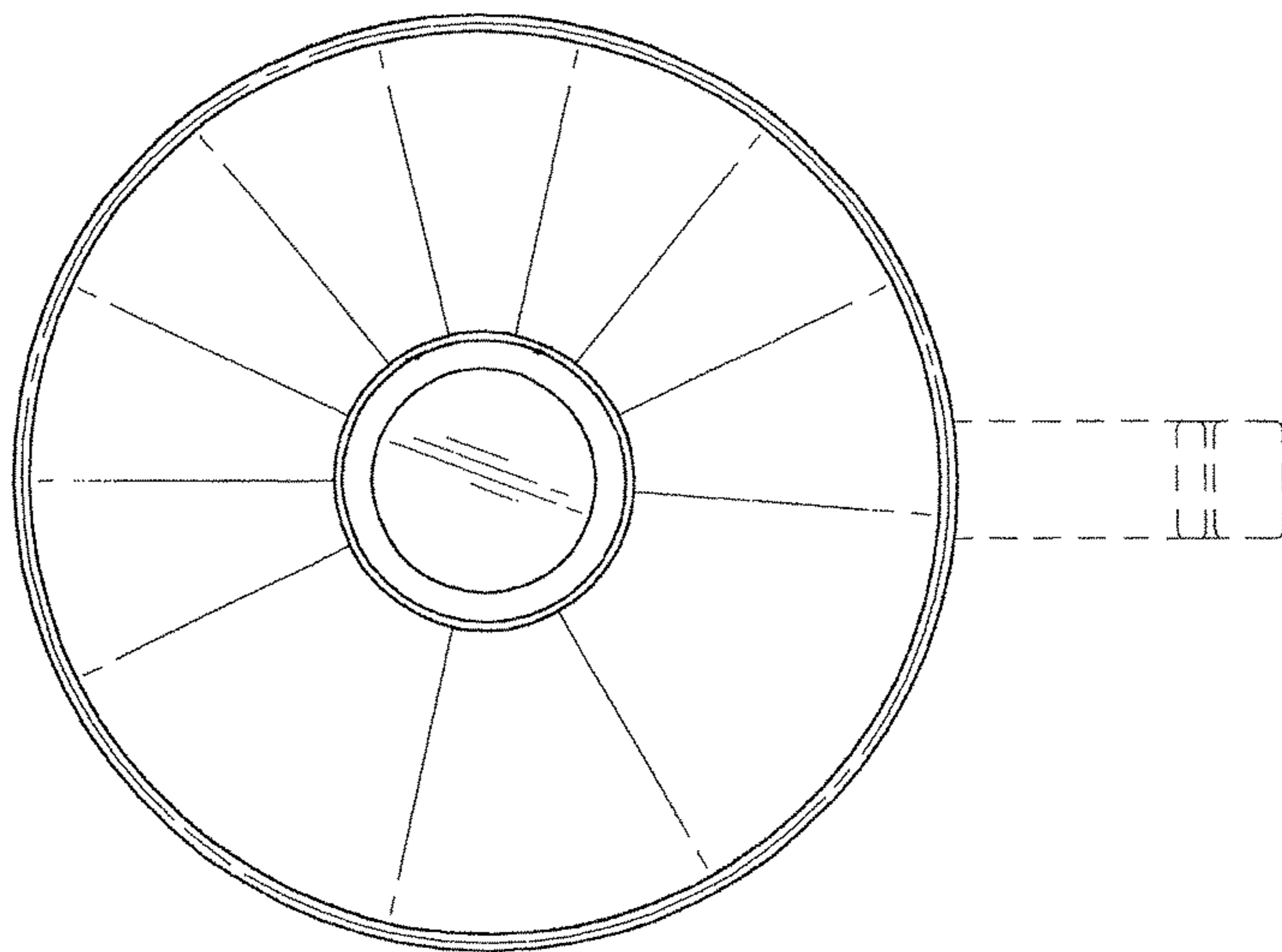


FIG. 4