



US00D890110S

(12) **United States Design Patent**
Kim et al.

(10) **Patent No.:** **US D890,110 S**
(45) **Date of Patent:** **** Jul. 14, 2020**

(54) **TELEVISION RECEIVER**

(71) Applicant: **SAMSUNG ELECTRONICS CO., LTD.**, Suwon-si, Gyeonggi-do (KR)

(72) Inventors: **Ji-Gwang Kim**, Seoul (KR); **Eun-Ah Kim**, Seoul (KR); **Su-An Choi**, Seoul (KR)

(73) Assignee: **SAMSUNG ELECTRONICS CO., LTD.**, Gyeonggi-Do (KR)

(**) Term: **15 Years**

(21) Appl. No.: **29/655,054**

(22) Filed: **Jun. 29, 2018**

(30) **Foreign Application Priority Data**

Jan. 5, 2018 (KR) 30-2018-0000879

(51) **LOC (12) Cl.** **14-03**

(52) **U.S. Cl.**
USPC **D14/126**

(58) **Field of Classification Search**

USPC D14/125-134, 239, 371, 136, 374-377, D14/440, 450, 448, 336, 342, 159; 312/7.2; 348/836, 838, 180, 184, 325, 348/739; 248/917-924, 465; 345/104, 345/133, 156, 168, 87, 173; D21/329, D21/515, 577, 622, 333, 433, 448, 452, D21/450, 331, 505; D10/15, 26; 446/484, 175, 356; D6/477, 479, 300; D24/185; D34/14

CPC ... G06F 1/1601; G06F 1/1643; H05K 5/0004; H05K 5/0017; H05K 5/02; H05K 5/0217

See application file for complete search history.

(56) **References Cited**

U.S. PATENT DOCUMENTS

D806,049 S * 12/2017 Lee D14/126
D807,848 S * 1/2018 Lee D14/126

* cited by examiner

Primary Examiner — Michael A. Pratt

(74) *Attorney, Agent, or Firm* — Cantor Colburn LLP

(57) **CLAIM**

The ornamental design for a television receiver, as shown and described.

DESCRIPTION

FIG. 1 is a front perspective view of a first embodiment of a television receiver, showing our new design;

FIG. 2 is a front view thereof;

FIG. 3 is a rear view thereof;

FIG. 4 is a left-side view thereof;

FIG. 5 is a right-side view thereof;

FIG. 6 is a top view thereof;

FIG. 7 is a bottom view thereof;

FIG. 8 is a rear perspective view thereof;

FIG. 9 is an enlarged view of the portion 9 in FIG. 1;

FIG. 10 is an enlarged view of the portion 10 in FIG. 2;

FIG. 11 is an enlarged view of the claimed portion 11 in FIG. 3;

FIG. 12 is an enlarged view of the claimed portion 12 in FIG. 8;

FIG. 13 is a rear view of a second embodiment of a television receiver, showing our new design;

FIG. 14 is a rear perspective view thereof;

FIG. 15 is an enlarged view of the claimed portion 15 in FIG. 13; and,

FIG. 16 is an enlarged view of the claimed portion 16 in FIG. 14.

The even-dash broken lines illustrating portions of the television receiver form no part of the claimed design. The dot-dot-dash broken lines encircling enlargement portions of the claimed design form no part of the claimed design. The dot-dash broken lines define a boundary of the claimed design and form no part of the claimed design.

1 Claim, 16 Drawing Sheets

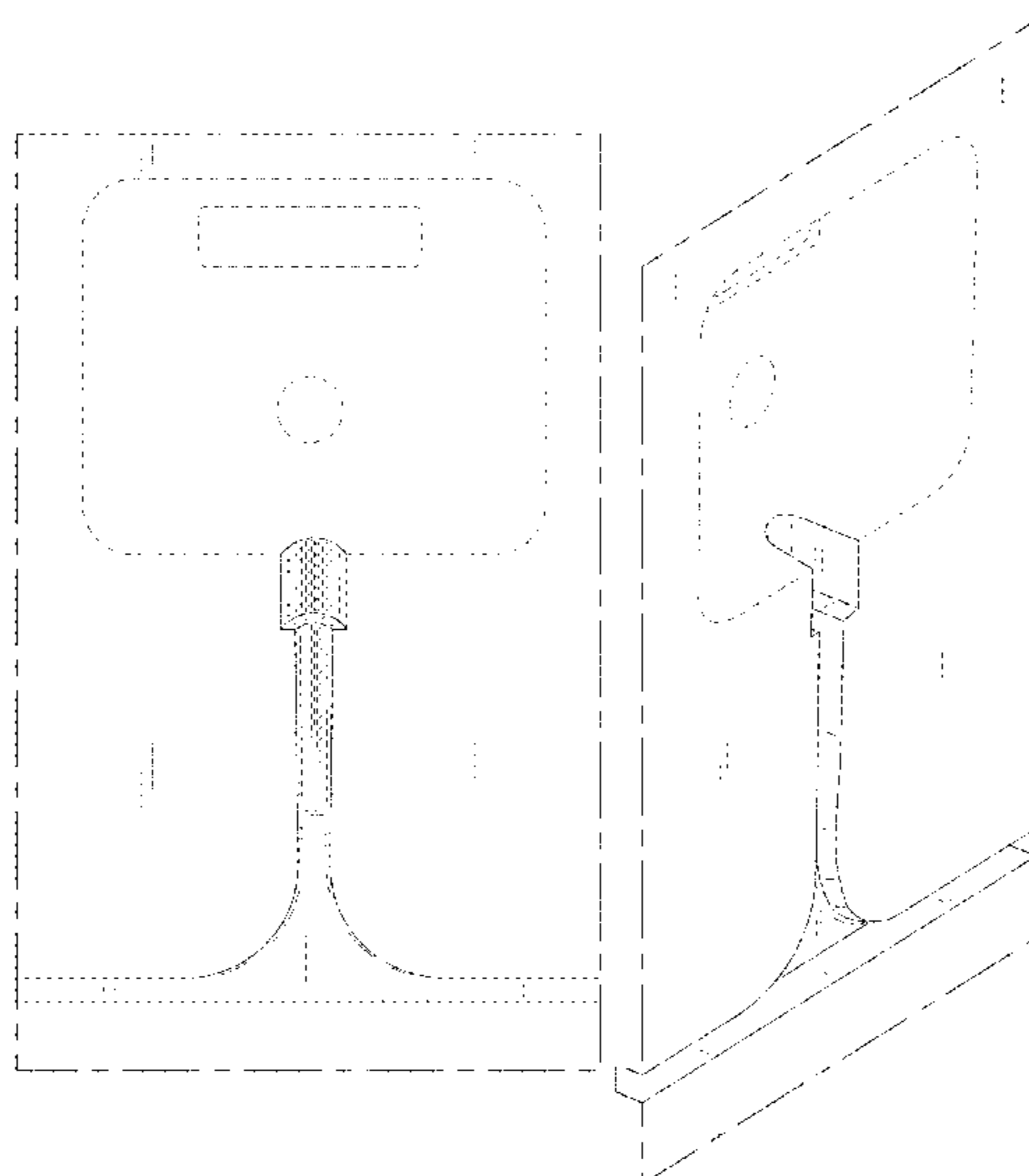


FIG. 1

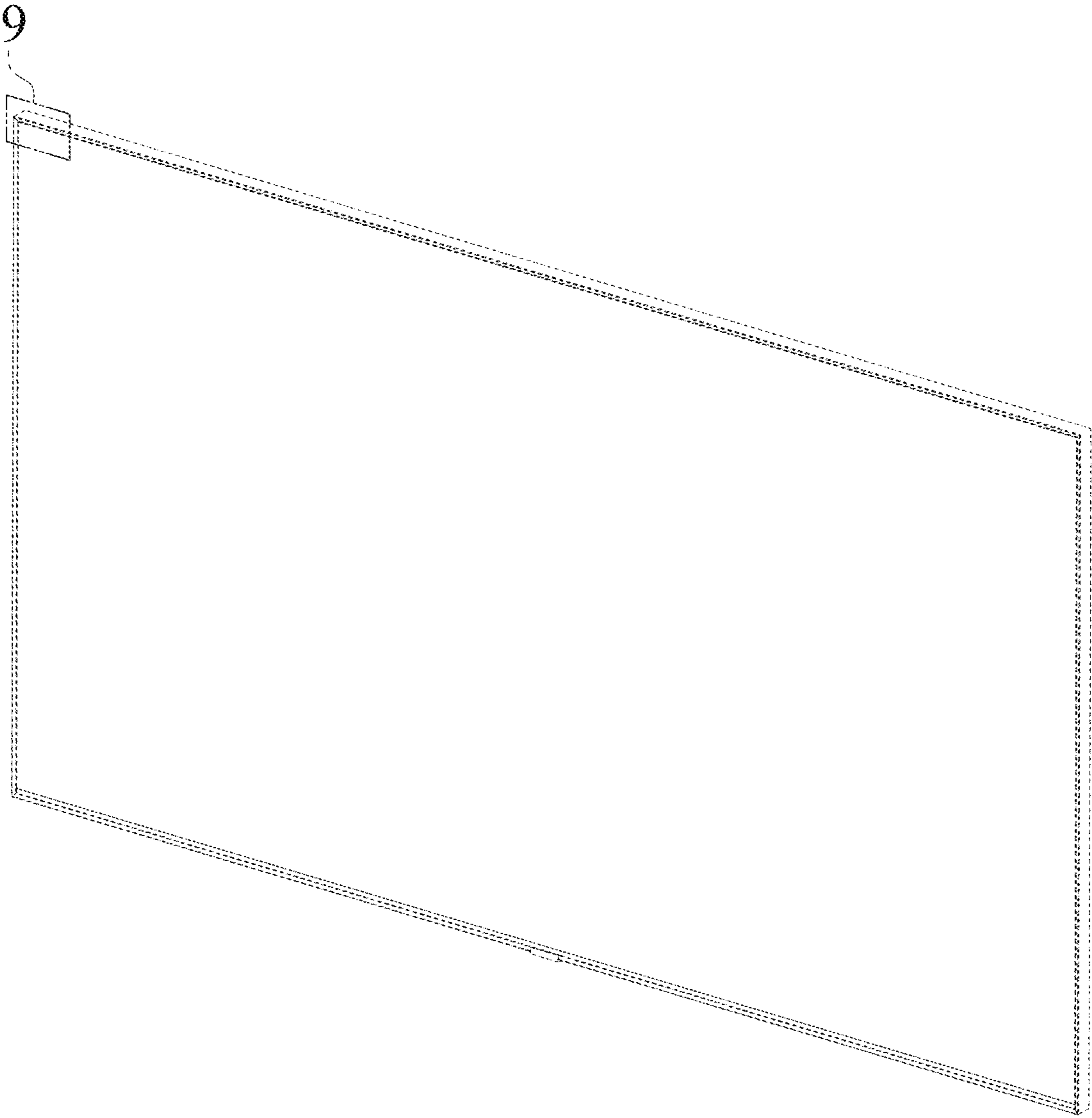


FIG. 2

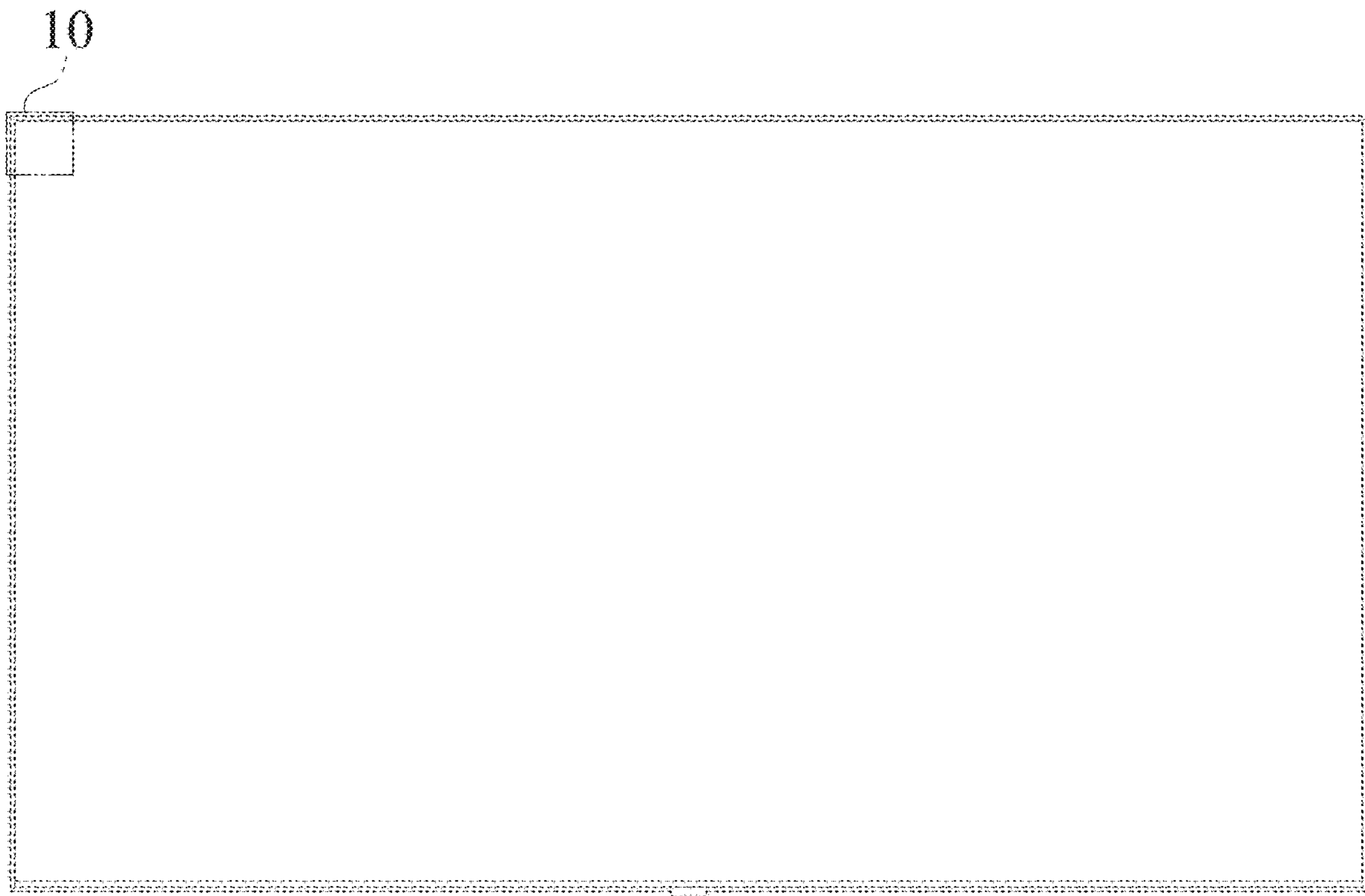
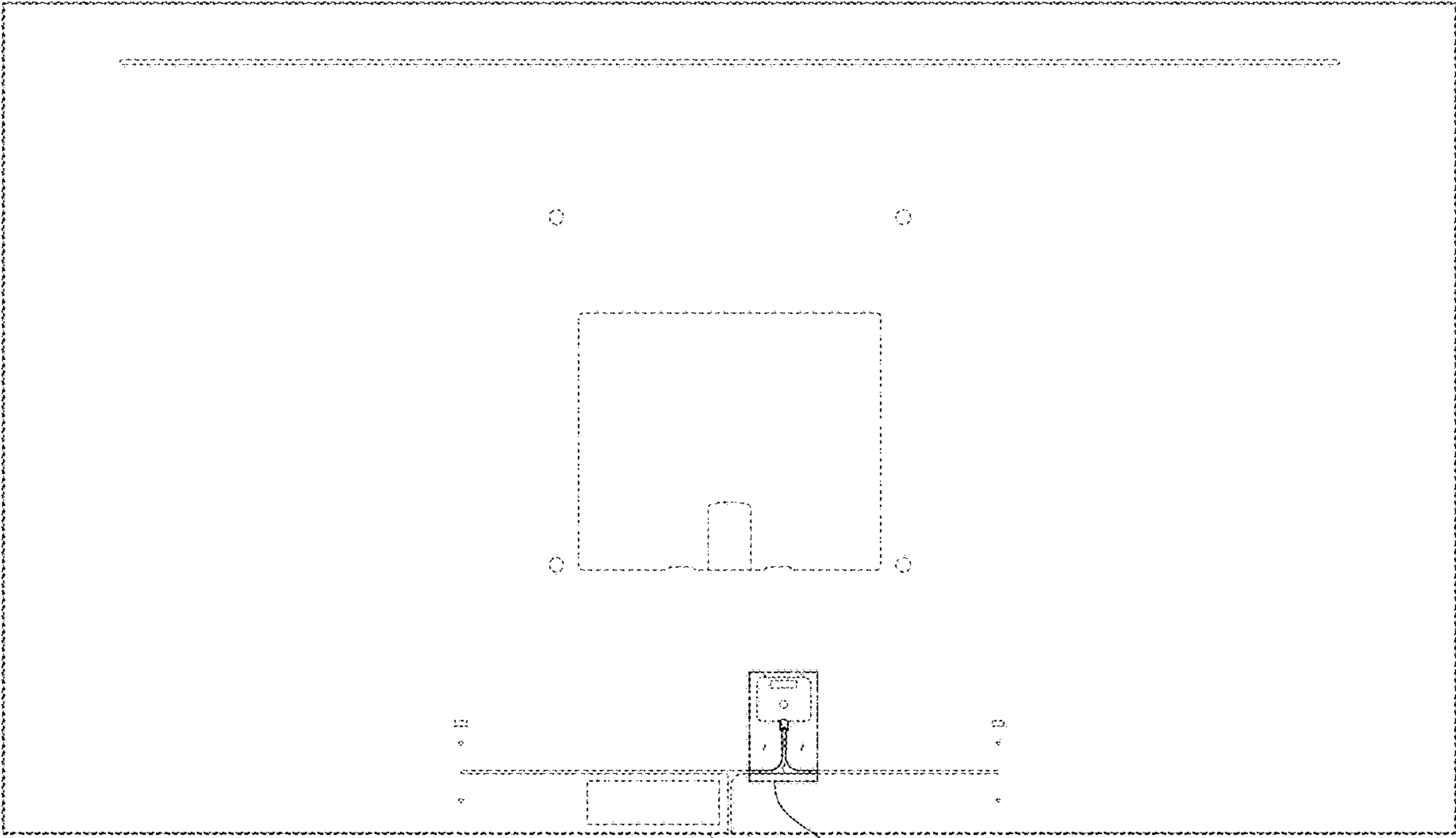


FIG. 3



11

FIG. 4

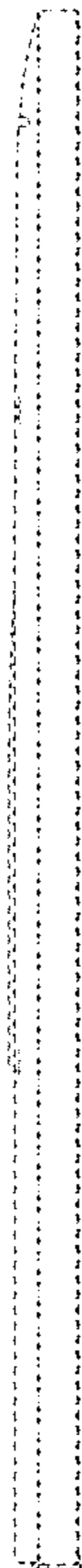


FIG. 5

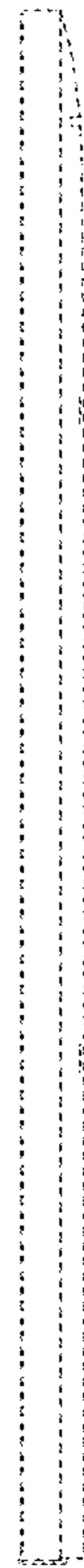


FIG. 6

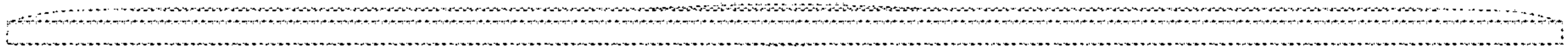


FIG. 7

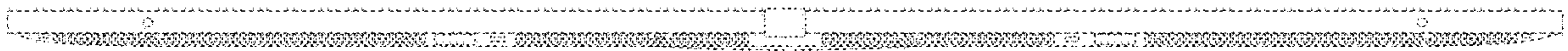


FIG. 8

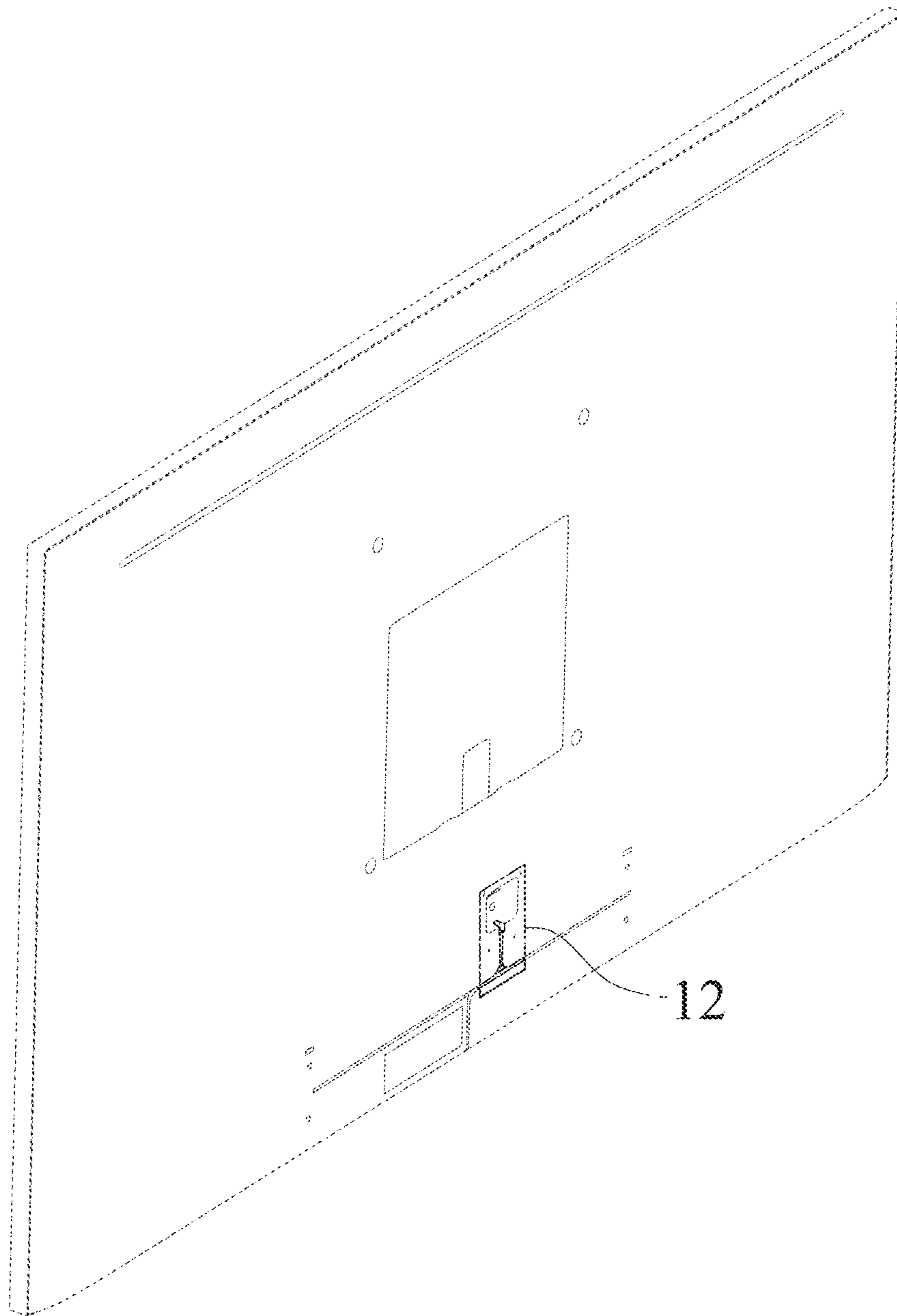


FIG. 9

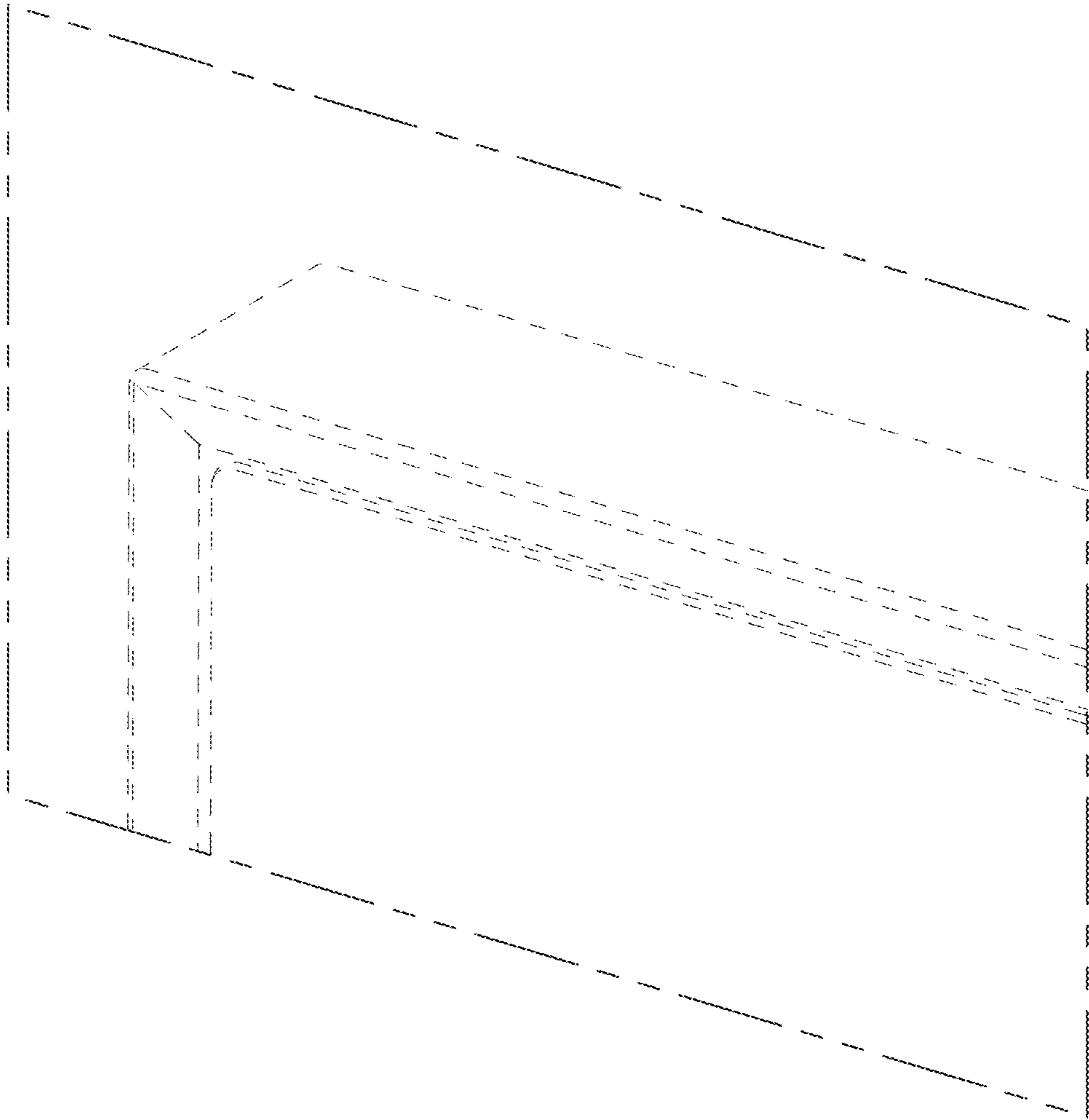


FIG. 10

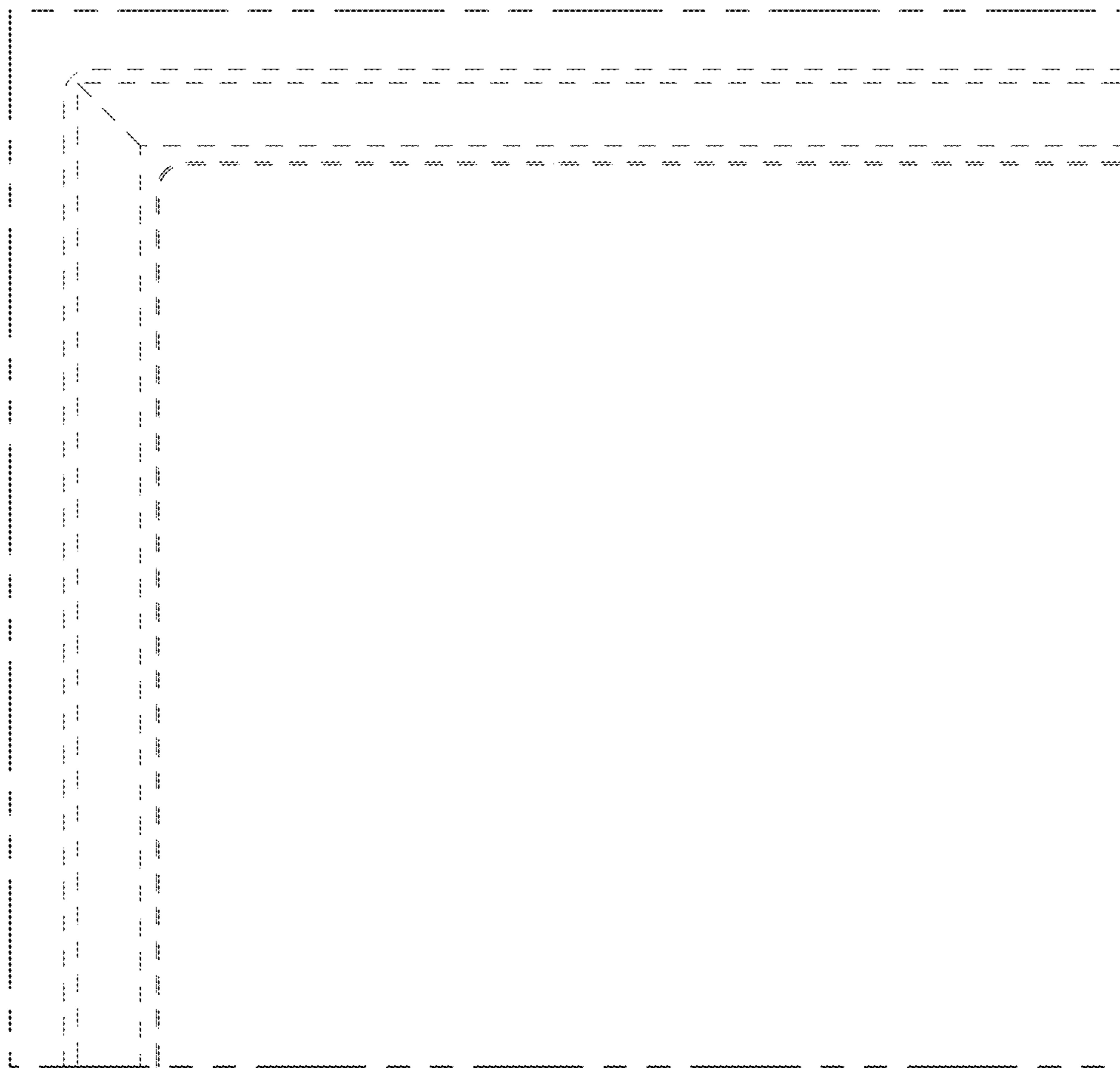


FIG. 11

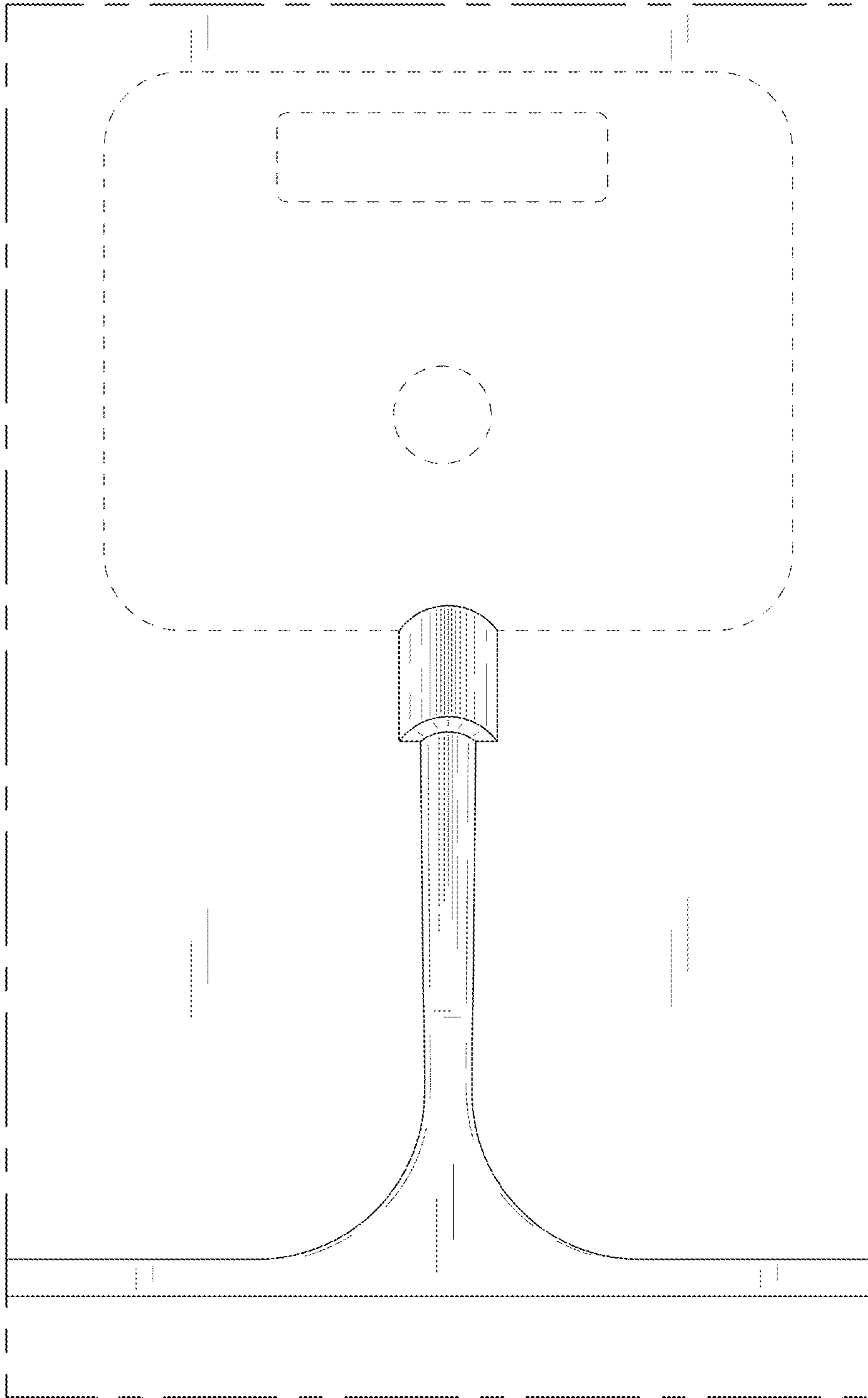


FIG. 12

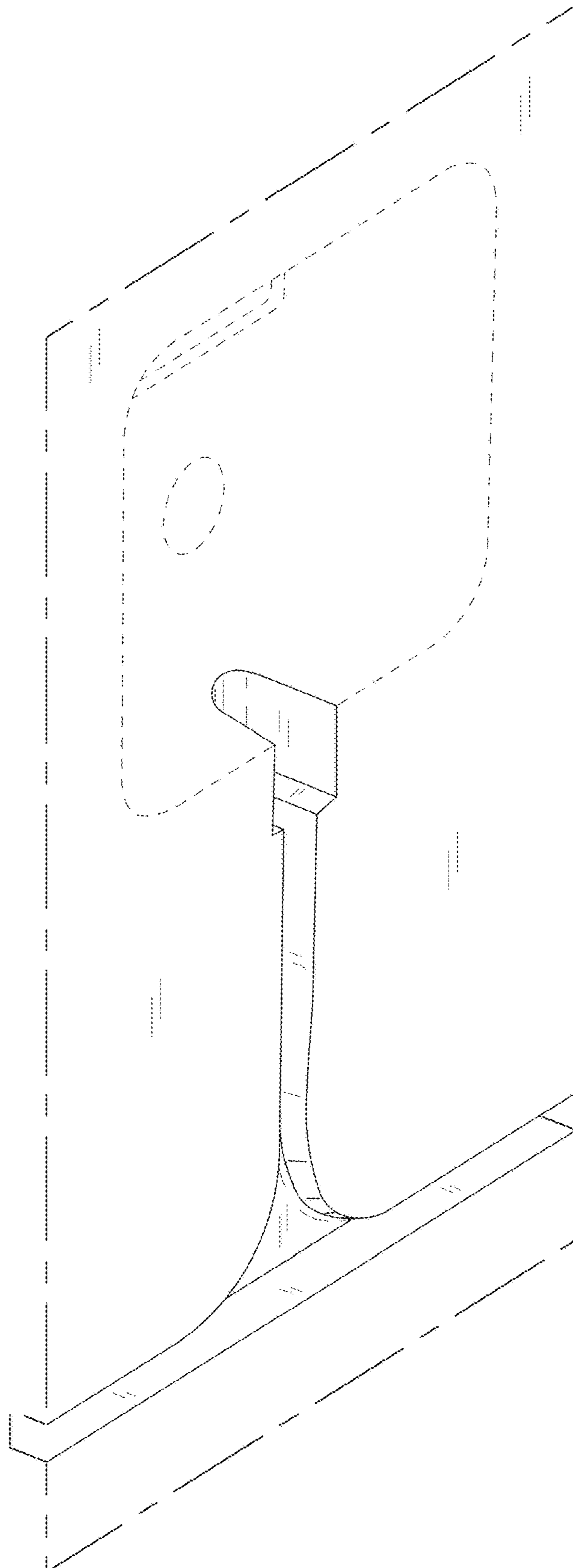


FIG. 13

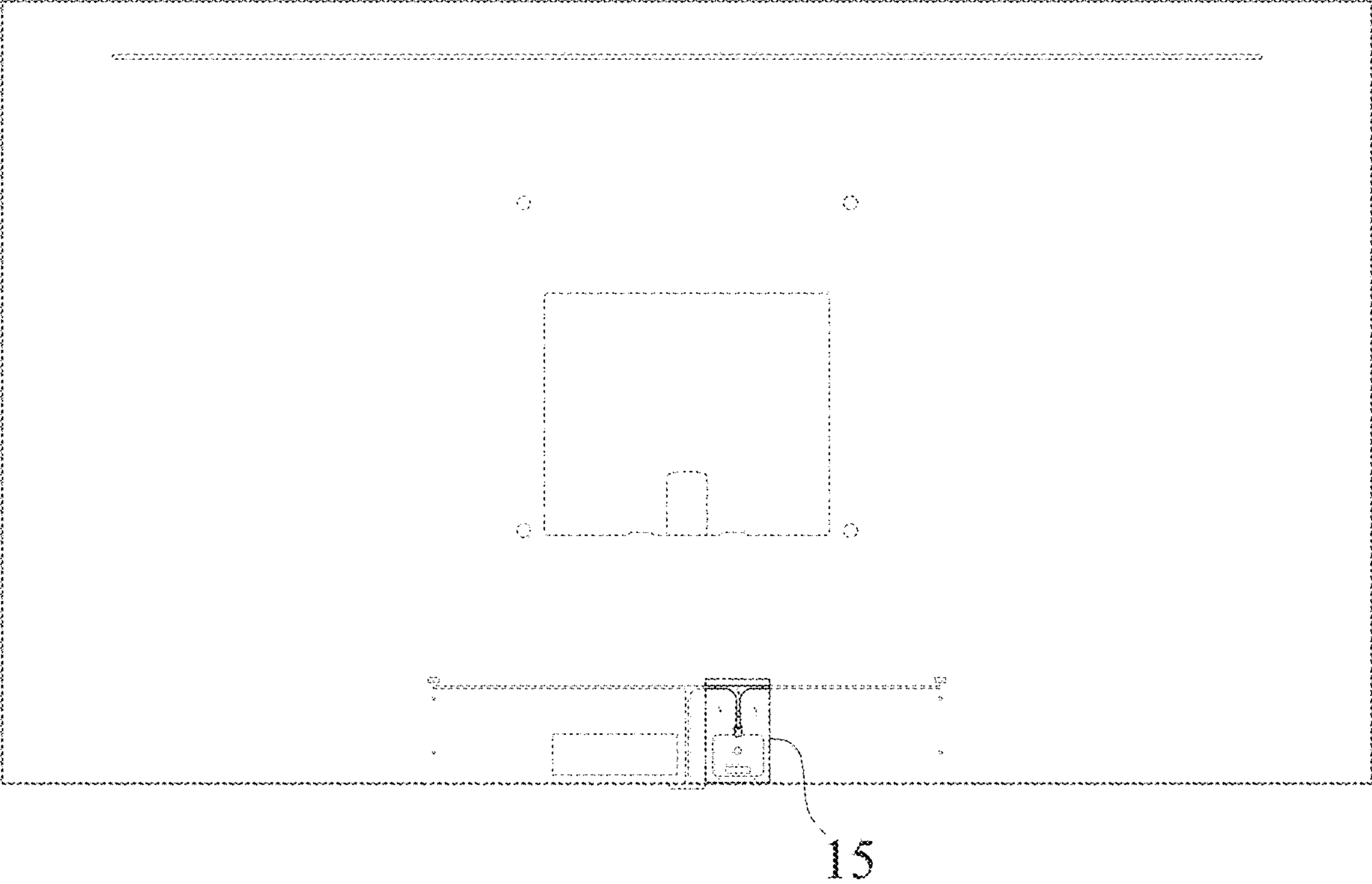


FIG. 14

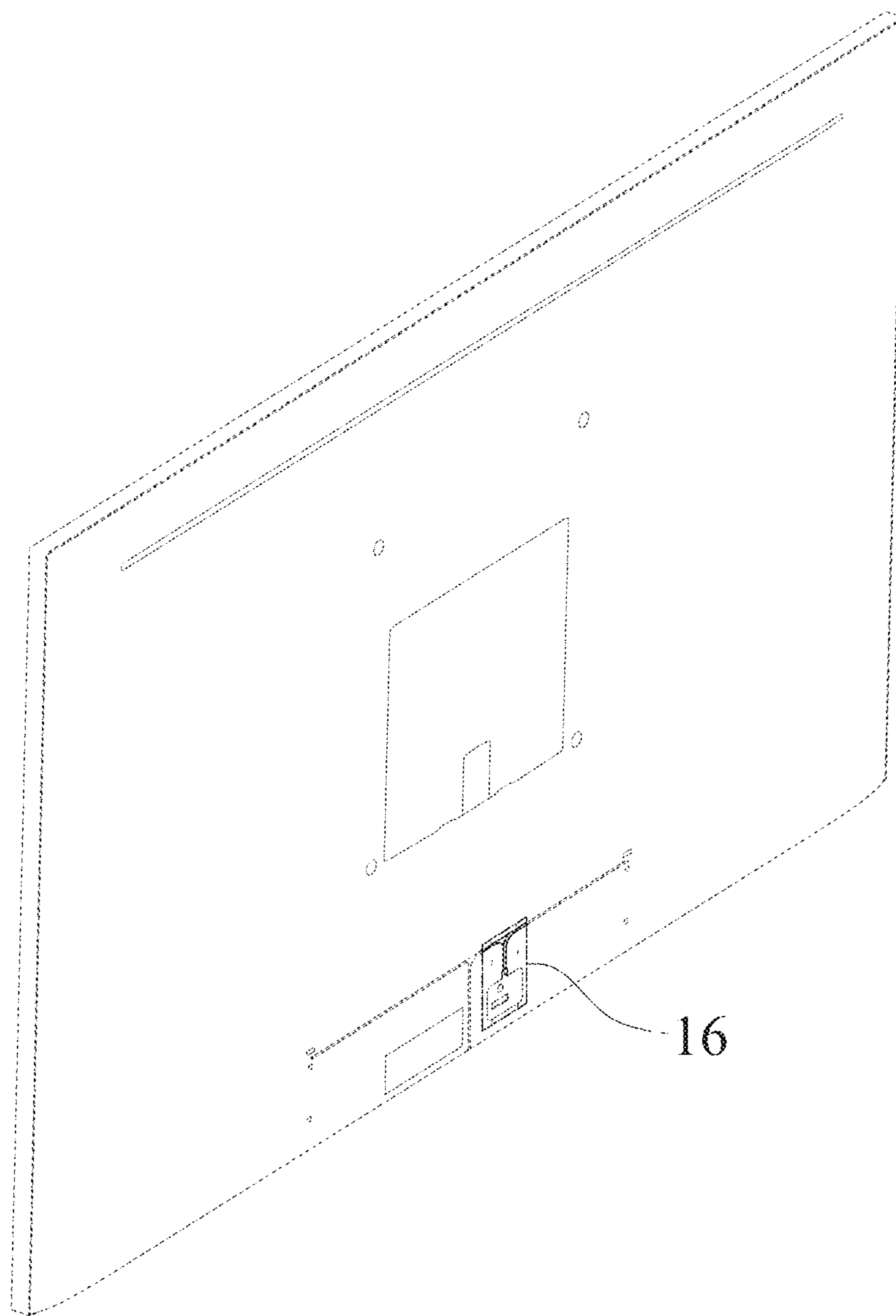


FIG. 15

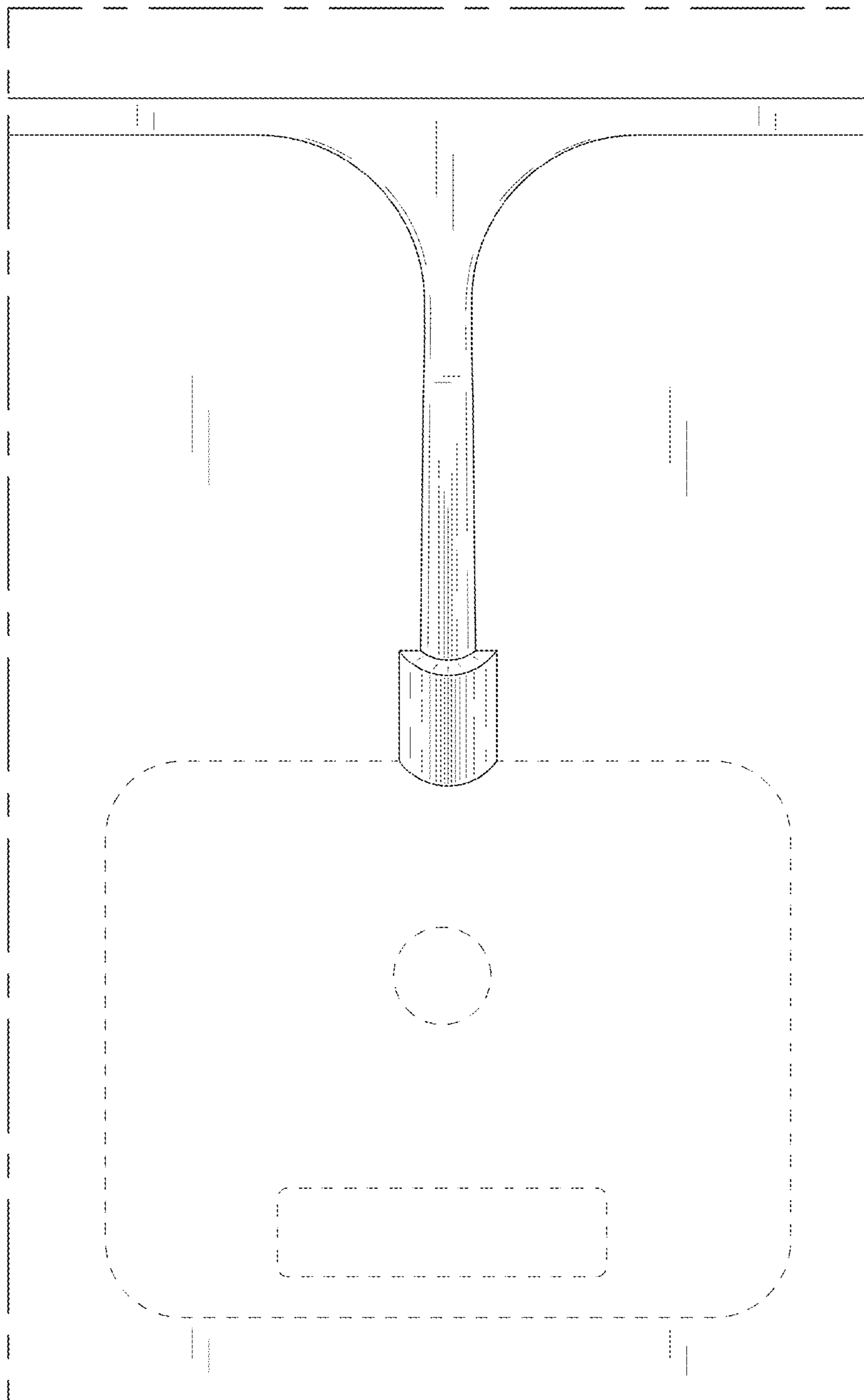


FIG. 16

