

US00D890104S

(12) **United States Design Patent**
Wu

(10) **Patent No.:** **US D890,104 S**

(45) **Date of Patent:** **** Jul. 14, 2020**

(54) **HDMI SWITCH**

(71) Applicant: **Weijie Wu**, Hu Nan (CN)

(72) Inventor: **Weijie Wu**, Hu Nan (CN)

(**) Term: **15 Years**

(21) Appl. No.: **29/635,407**

(22) Filed: **Jan. 31, 2018**

(51) **LOC (12) Cl.** **13-03**

(52) **U.S. Cl.**
USPC **D13/147**

(58) **Field of Classification Search**
USPC D13/146, 147, 123, 133, 137.1–139.8,
D13/154; D14/433
CPC H01R 24/62; H01R 13/7039; H01R 27/00;
H01R 2201/04; H01R 2201/16
See application file for complete search history.

(56) **References Cited**

U.S. PATENT DOCUMENTS

D335,648 S *	5/1993	Ballsieper	D13/123
D408,357 S *	4/1999	Kichise	D13/146
D416,233 S *	11/1999	Tsai	D13/147
D416,542 S *	11/1999	Tsai	D13/147
D442,553 S *	5/2001	Urban	D13/147
D456,781 S *	5/2002	Lord	D13/154
D613,249 S *	4/2010	Nagata	D13/147
D621,507 S *	8/2010	Romero	D13/154
D628,537 S *	12/2010	Nagata	D13/147
D714,731 S *	10/2014	Lee	D13/147

D721,655 S *	1/2015	Liu	D13/147
D832,262 S *	10/2018	Kato	D14/433
D842,859 S *	3/2019	Loh	D14/433

FOREIGN PATENT DOCUMENTS

GB	2041527	*	8/1995
RU	00097108	*	2/2016

* cited by examiner

Primary Examiner — Bridget L Eland

(57) **CLAIM**

The ornamental design for a HDMI switch, as shown and described.

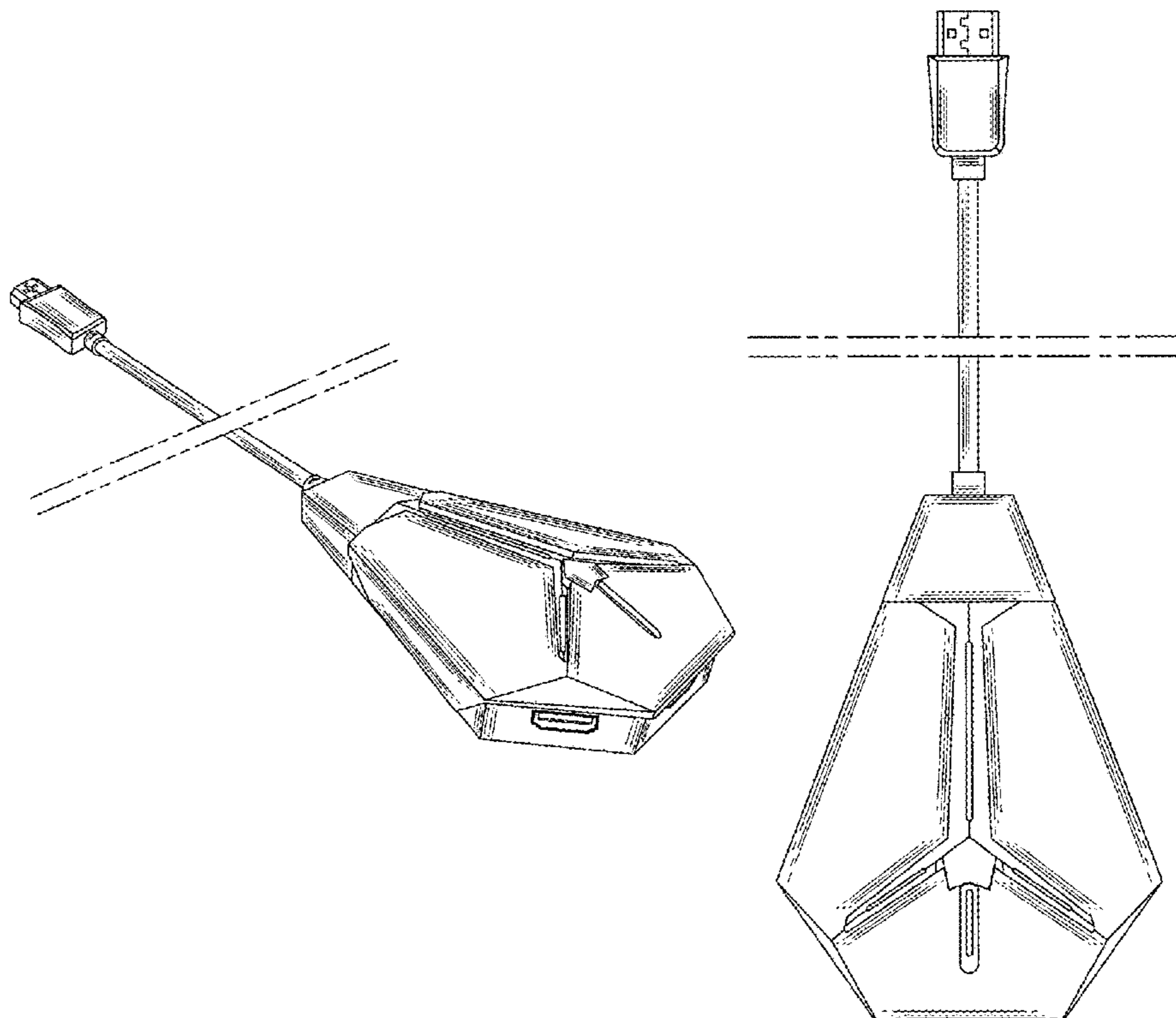
DESCRIPTION

FIG. 1 is a perspective view of a HDMI switch showing my new design;
FIG. 2 is a front elevational view thereof;
FIG. 3 is a rear elevational view thereof;
FIG. 4 is a left side elevational view thereof;
FIG. 5 is a right side elevational view thereof;
FIG. 6 is a top plan view thereof; and,
FIG. 7 is a bottom plan view thereof.

The article is shown with a symbolic break in its length. The appearance of any portion of the article between the break lines forms no part of the claimed design.

The outermost broken lines immediately adjacent to the full line showing of the claimed design represent the bounds of the claimed design while all other broken lines are directed to environment and are for illustrative purposes only; the broken lines form no part of the claimed design.

1 Claim, 7 Drawing Sheets



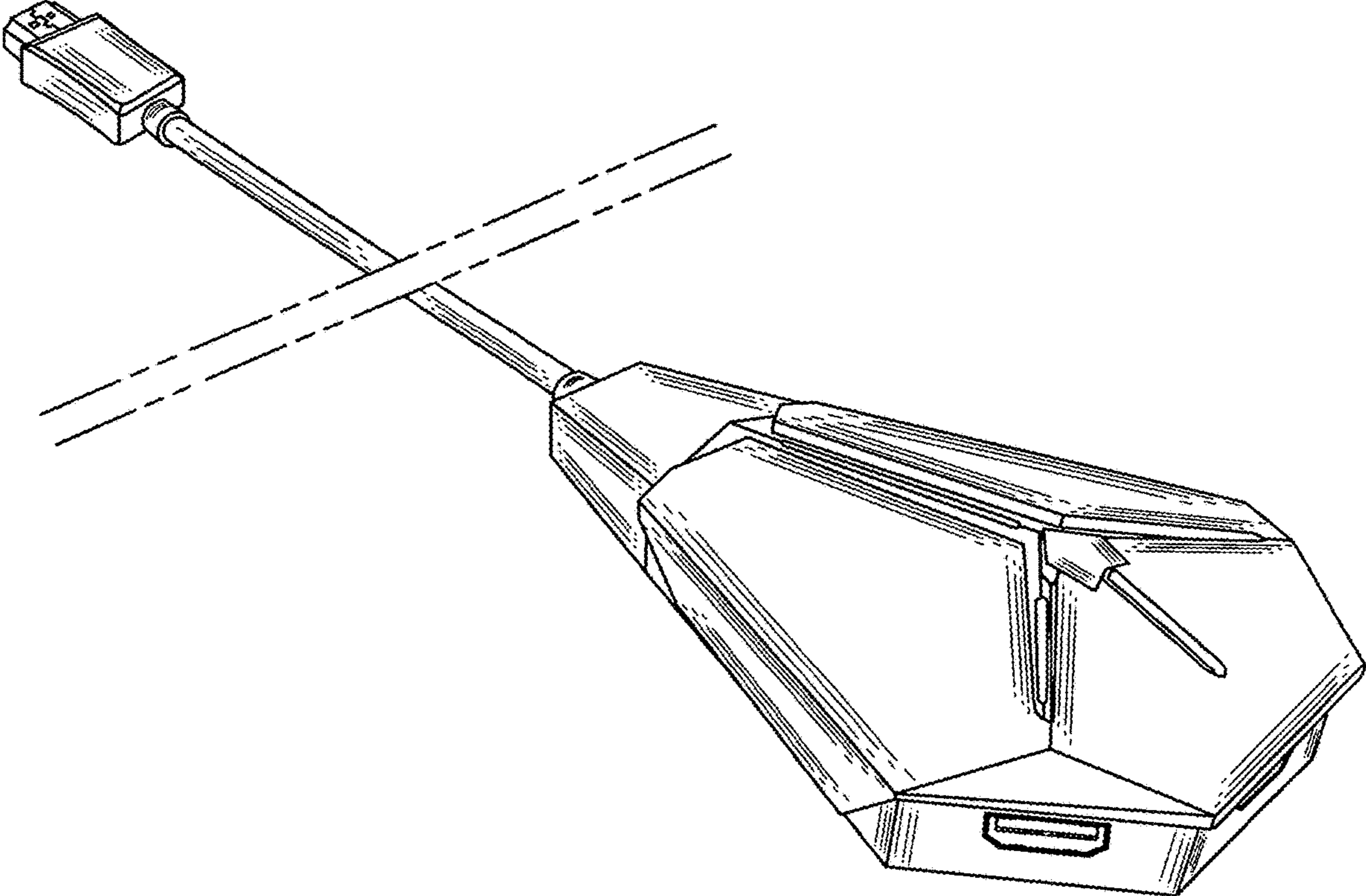


FIG. 1

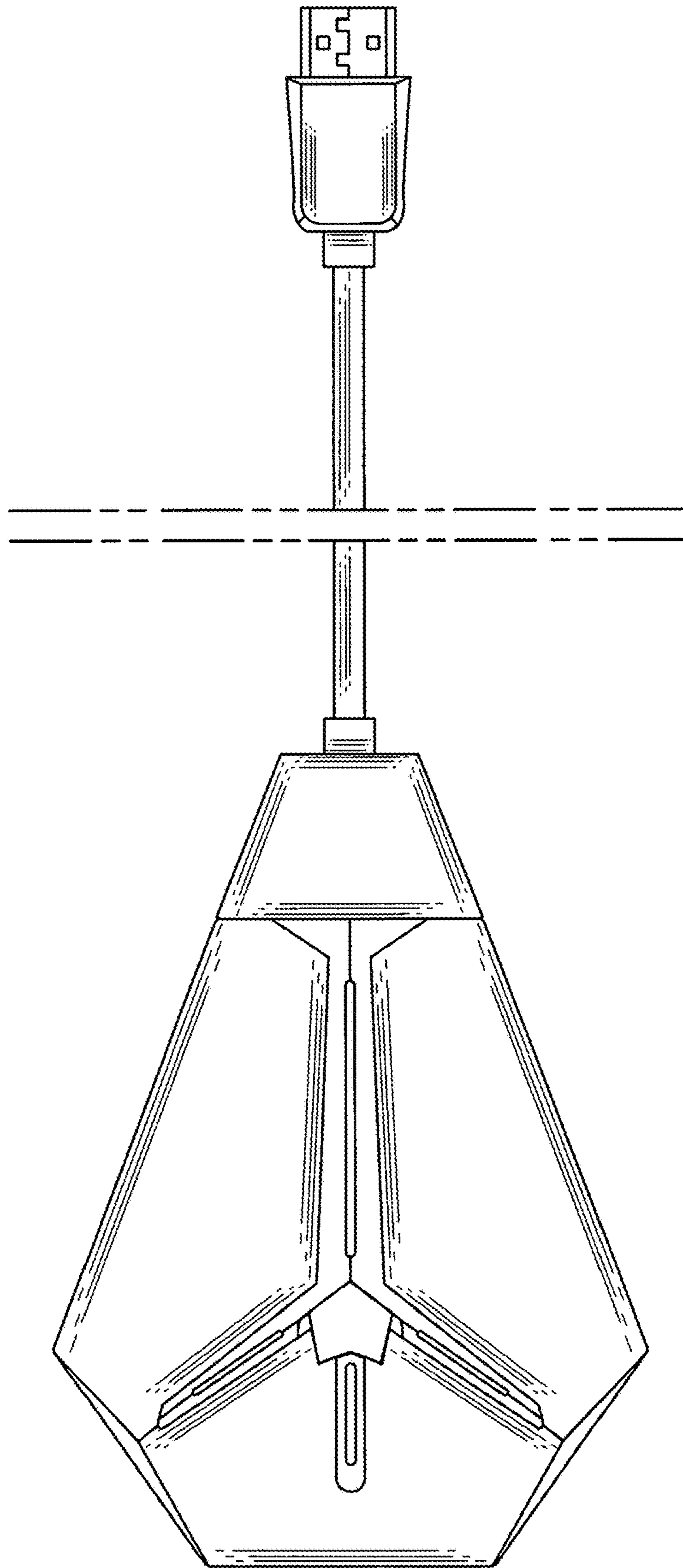


FIG. 2

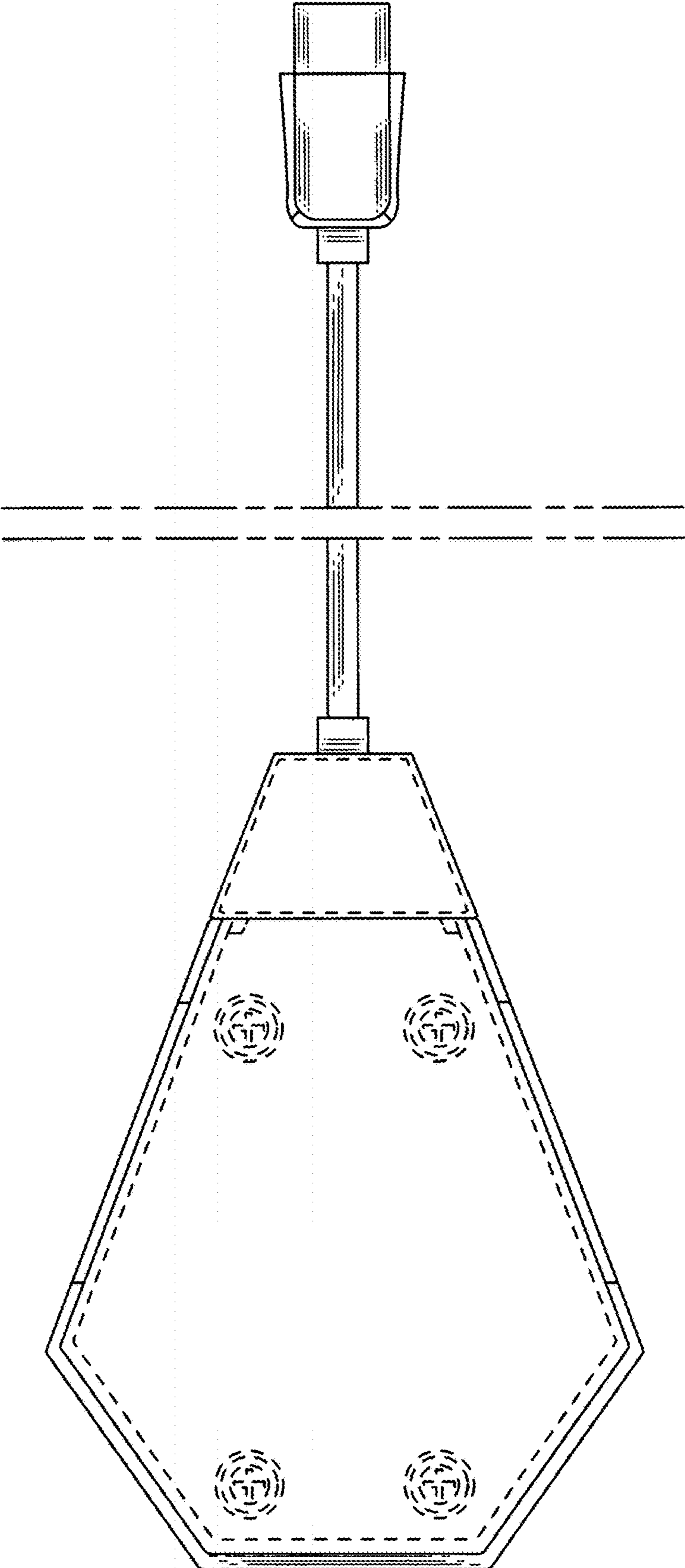


FIG. 3

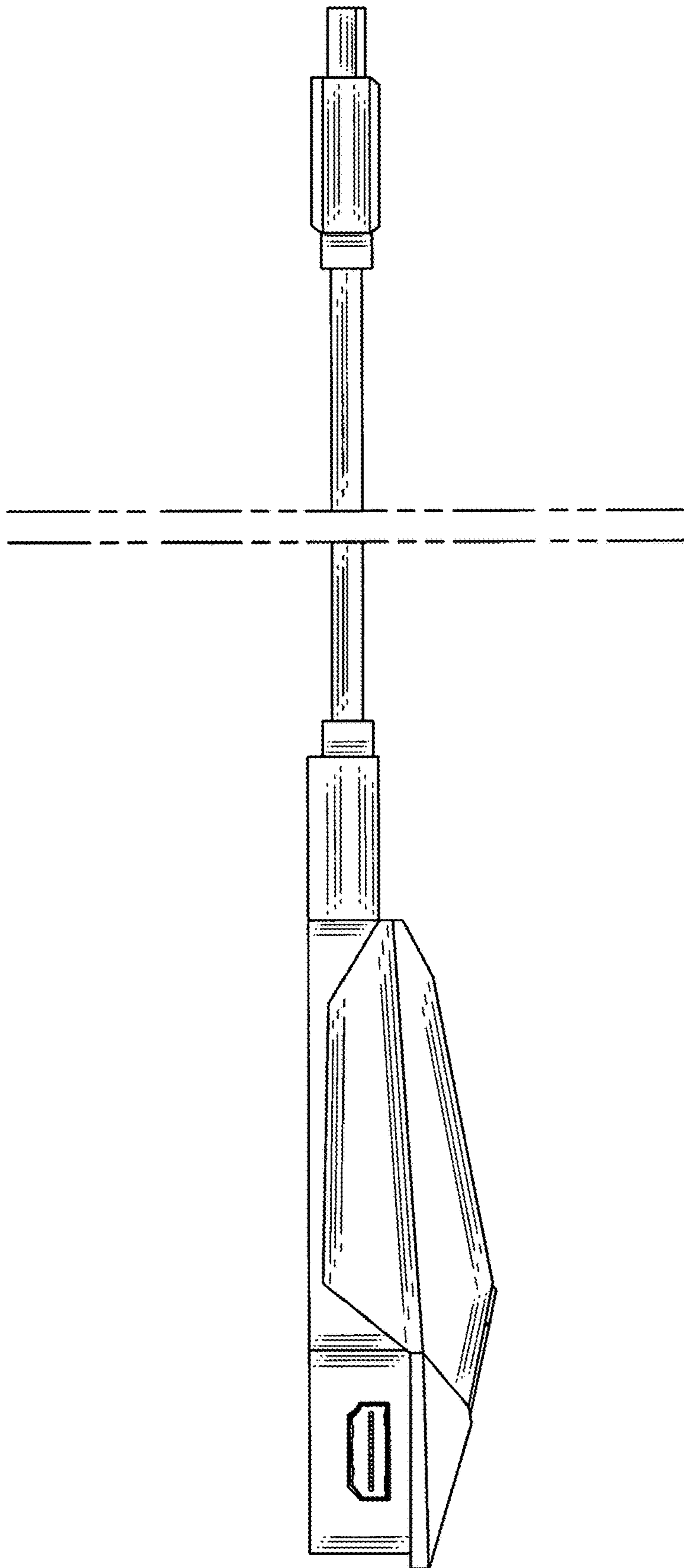


FIG. 4

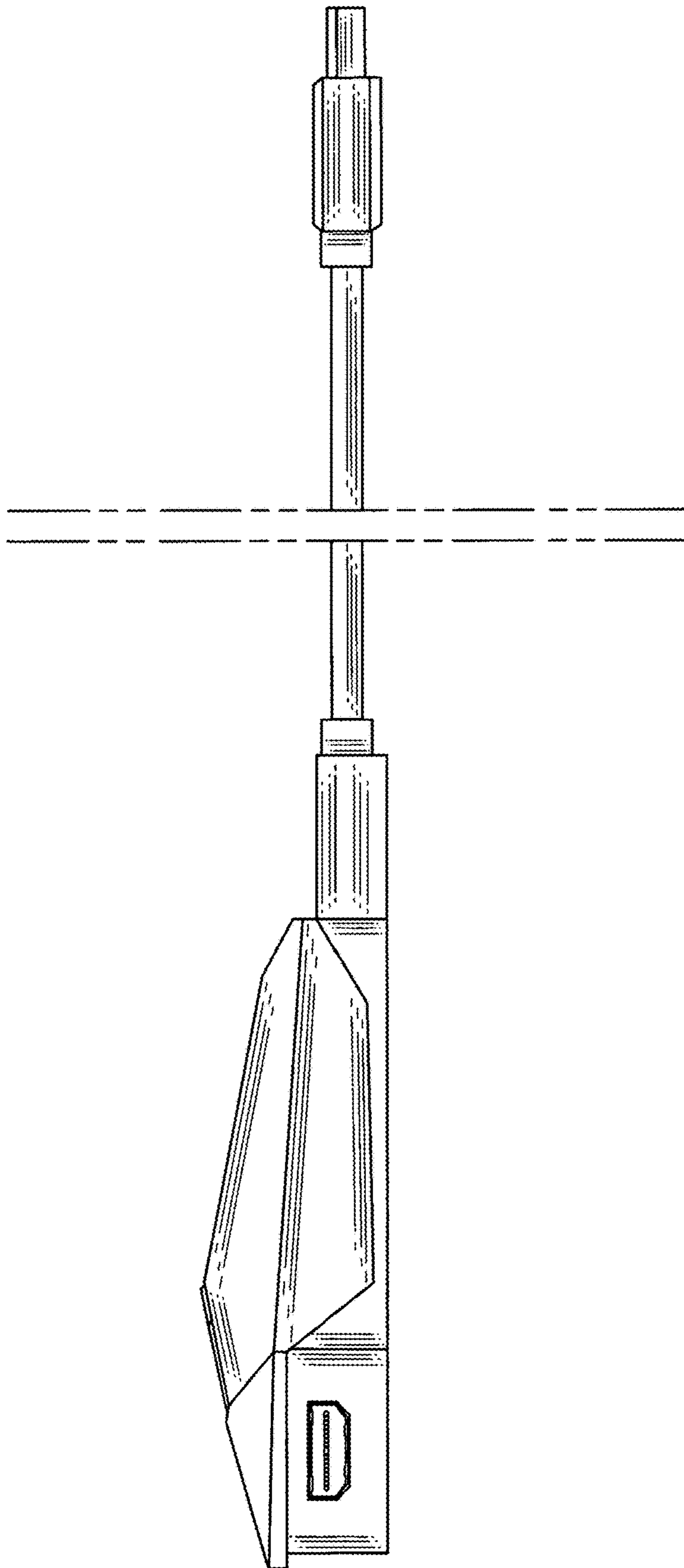


FIG. 5

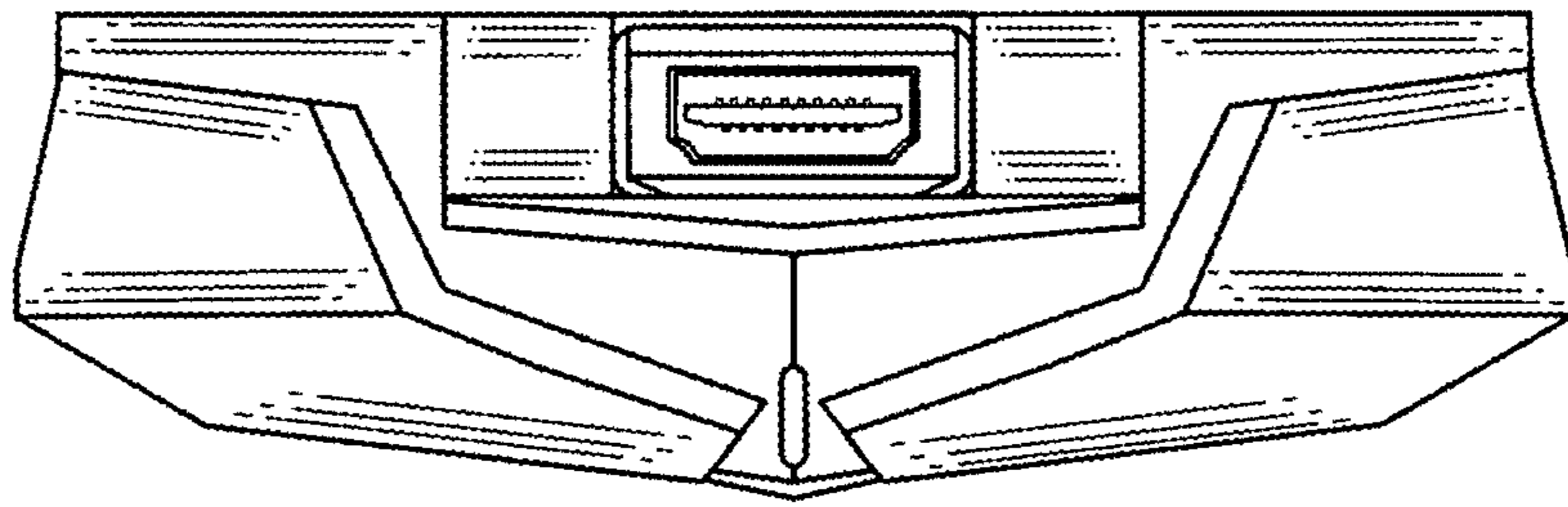


FIG. 6

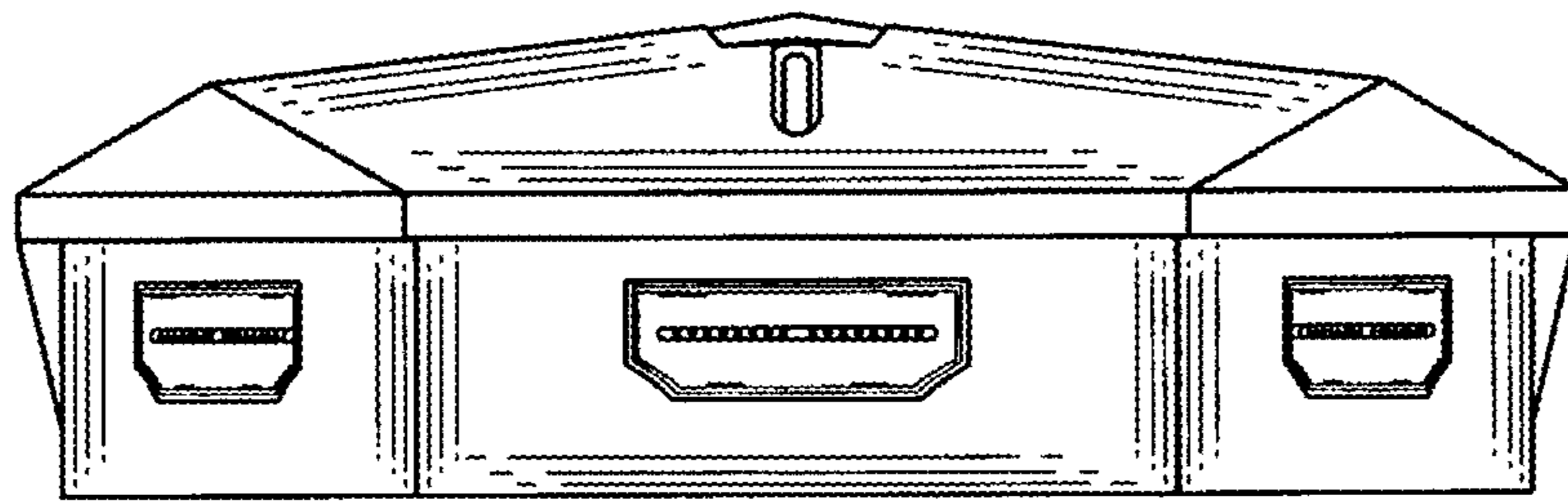


FIG. 7