



US00D890103S

(12) **United States Design Patent**
Kondo

(10) **Patent No.:** **US D890,103 S**
(45) **Date of Patent:** **** Jul. 14, 2020**

(54) **ELECTRICAL CONNECTOR HOUSING**

(71) Applicant: **SUMITOMO WIRING SYSTEMS, LTD.**, Yokkaichi-shi, Mie-ken (JP)

(72) Inventor: **Tomoyuki Kondo**, Yokkaichi (JP)

(73) Assignee: **SUMITOMO WIRING SYSTEMS, LTD.**, Yokkaichi-Shi, Mie-Ken (JP)

(**) Term: **15 Years**

(21) Appl. No.: **29/627,918**

(22) Filed: **Nov. 30, 2017**

(30) **Foreign Application Priority Data**

Jun. 7, 2017 (JP) 2017-012229

(51) **LOC (12) Cl.** **13-03**

(52) **U.S. Cl.**
USPC **D13/147**

(58) **Field of Classification Search**
USPC D13/118, 123, 133, 137.1–139.8,
D13/145–147, 154, 173, 177, 184, 199
CPC H01R 12/00; H01R 13/40; H01R 13/436;
H01R 13/52; H01R 13/62; H01R 13/627;
H01R 13/64; H01R 13/648; H01R 13/66;
H01R 13/74; H01R 24/00; H01R 24/28
See application file for complete search history.

(56) **References Cited**

U.S. PATENT DOCUMENTS

- D320,594 S * 10/1991 Nagasaka D13/147
- D323,152 S * 1/1992 Nagasaka D13/147
- D488,782 S * 4/2004 Kashiyama D13/133
- 7,114,981 B1 * 10/2006 Huang H01R 13/6273
439/353
- D556,141 S * 11/2007 Whiteman, Jr. D13/147
- D559,786 S * 1/2008 Kudo D13/147
- D564,452 S * 3/2008 Kudo D13/147

- D585,027 S * 1/2009 Kudo D13/146
- D591,240 S * 4/2009 Huang D13/147
- D697,485 S * 1/2014 Grant D13/147
- D747,689 S * 1/2016 Endo D13/147
- D816,041 S * 4/2018 Fitzgerald D13/147
- 10,135,184 B2 * 11/2018 Hara H01R 13/62938
- D839,209 S * 1/2019 Kondo D13/147
- 2007/0082548 A1 * 4/2007 Tyler H01R 13/4223
439/595
- 2015/0079827 A1 * 3/2015 Hara H01R 13/05
439/188

(Continued)

Primary Examiner — Angela J Lee

Assistant Examiner — Shawn T Gingrich

(74) *Attorney, Agent, or Firm* — Grogan, Tuccillo & Vanderleeden, LLP

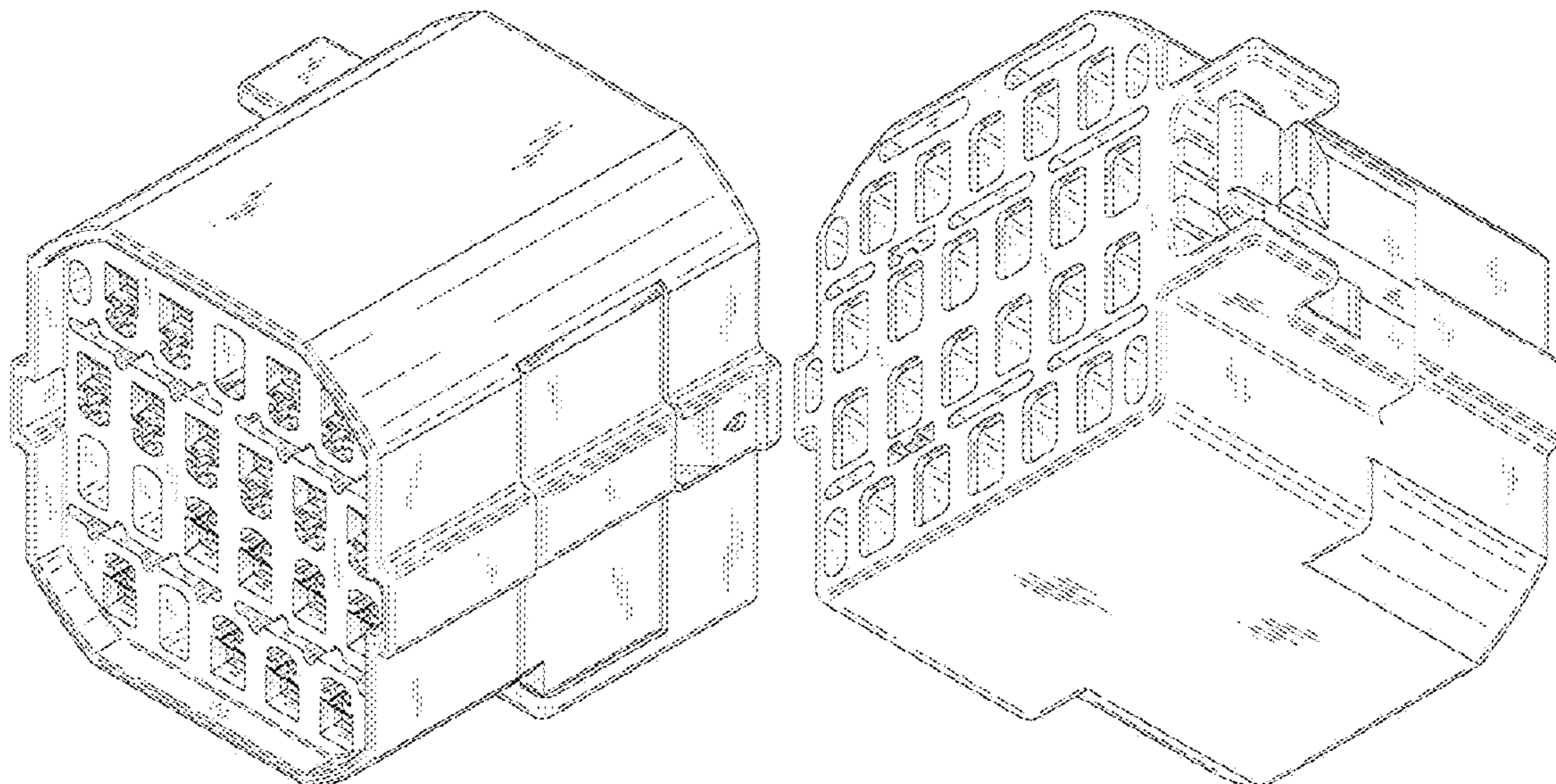
(57) **CLAIM**

The ornamental design for an electrical connector housing, as shown and described.

DESCRIPTION

FIG. 1 is a front, top and right side perspective view of an electrical connector housing showing my new design;
 FIG. 2 is a rear, bottom and left side perspective view thereof;
 FIG. 3 is a front view thereof;
 FIG. 4 is a rear view thereof;
 FIG. 5 is a top plan view thereof;
 FIG. 6 is a bottom plan view thereof;
 FIG. 7 is a right side view thereof;
 FIG. 8 is a left side view thereof;
 FIG. 9 is a cross-sectional view taken along line 9-9 in FIG. 3; and,
 FIG. 10 is a cross-sectional view taken along line 10-10 in FIG. 3.
 The broken lines in the drawings illustrate portions of the electrical connector housing that form no part of the claimed design.

1 Claim, 10 Drawing Sheets



(56)

References Cited

U.S. PATENT DOCUMENTS

2015/0318639 A1* 11/2015 Hara H01R 13/639
439/345
2016/0365678 A1* 12/2016 Thackston H01R 12/62
2017/0033492 A1* 2/2017 Hara H01R 4/18

* cited by examiner

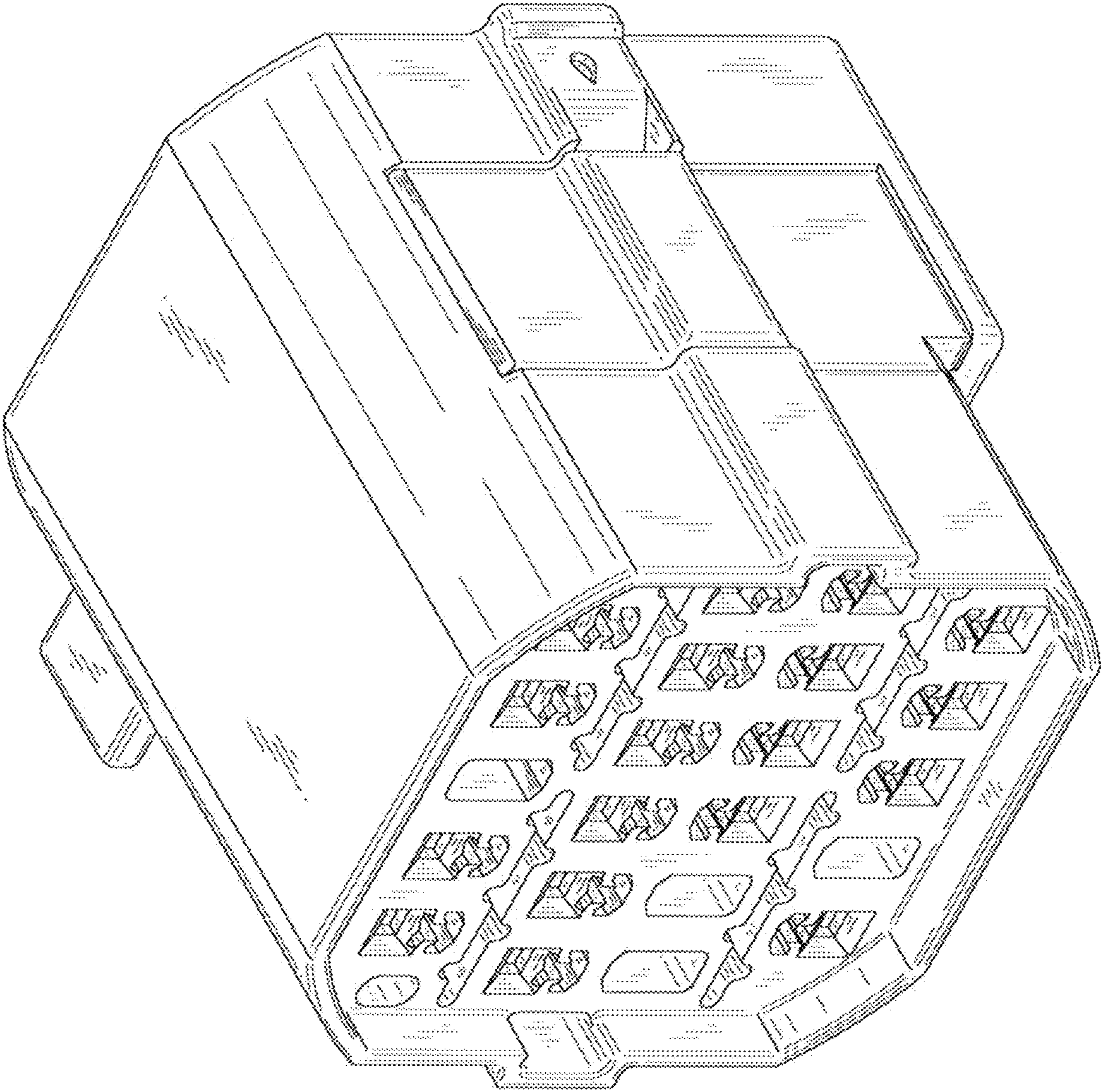


Fig.1

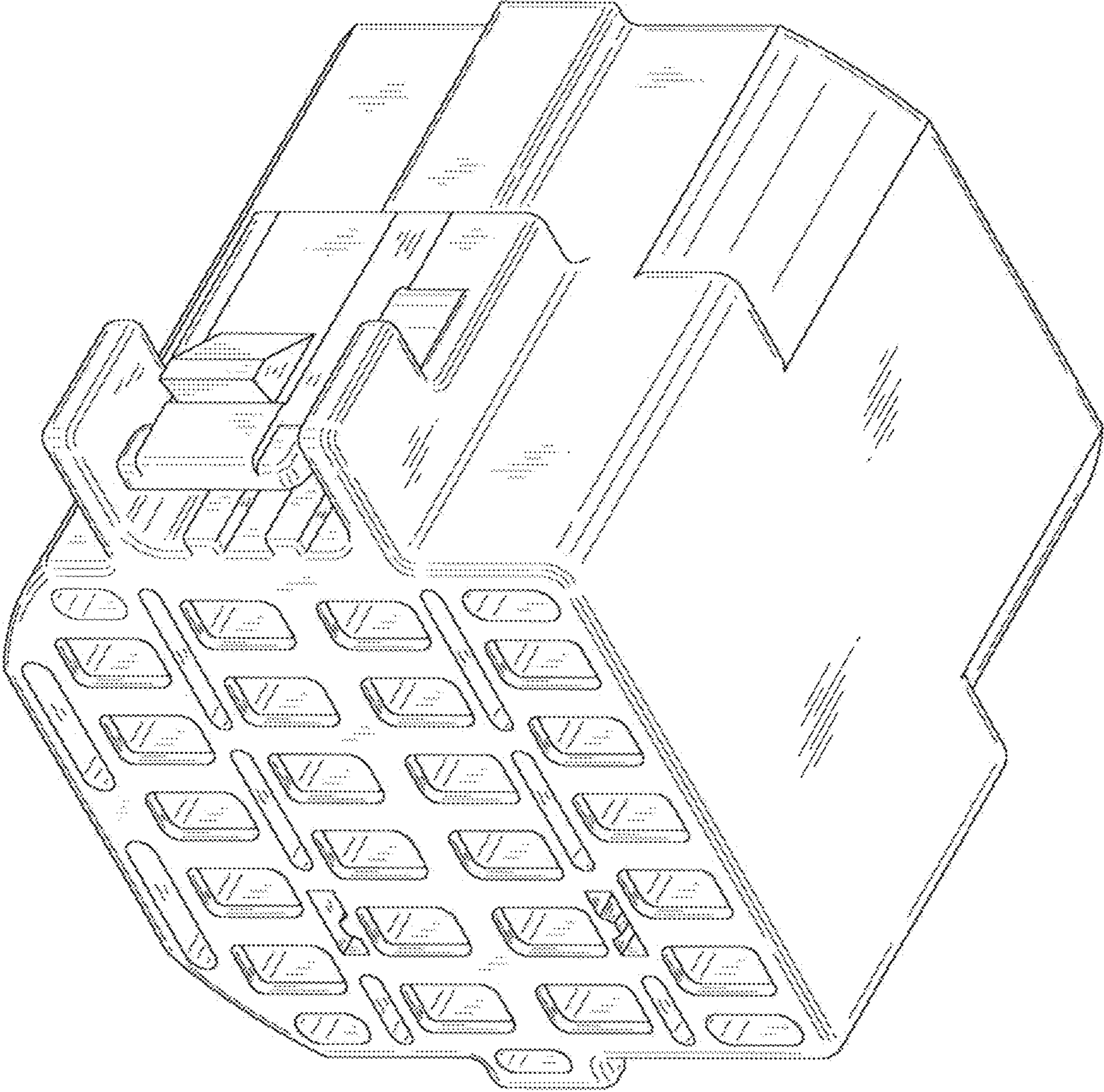


Fig.2

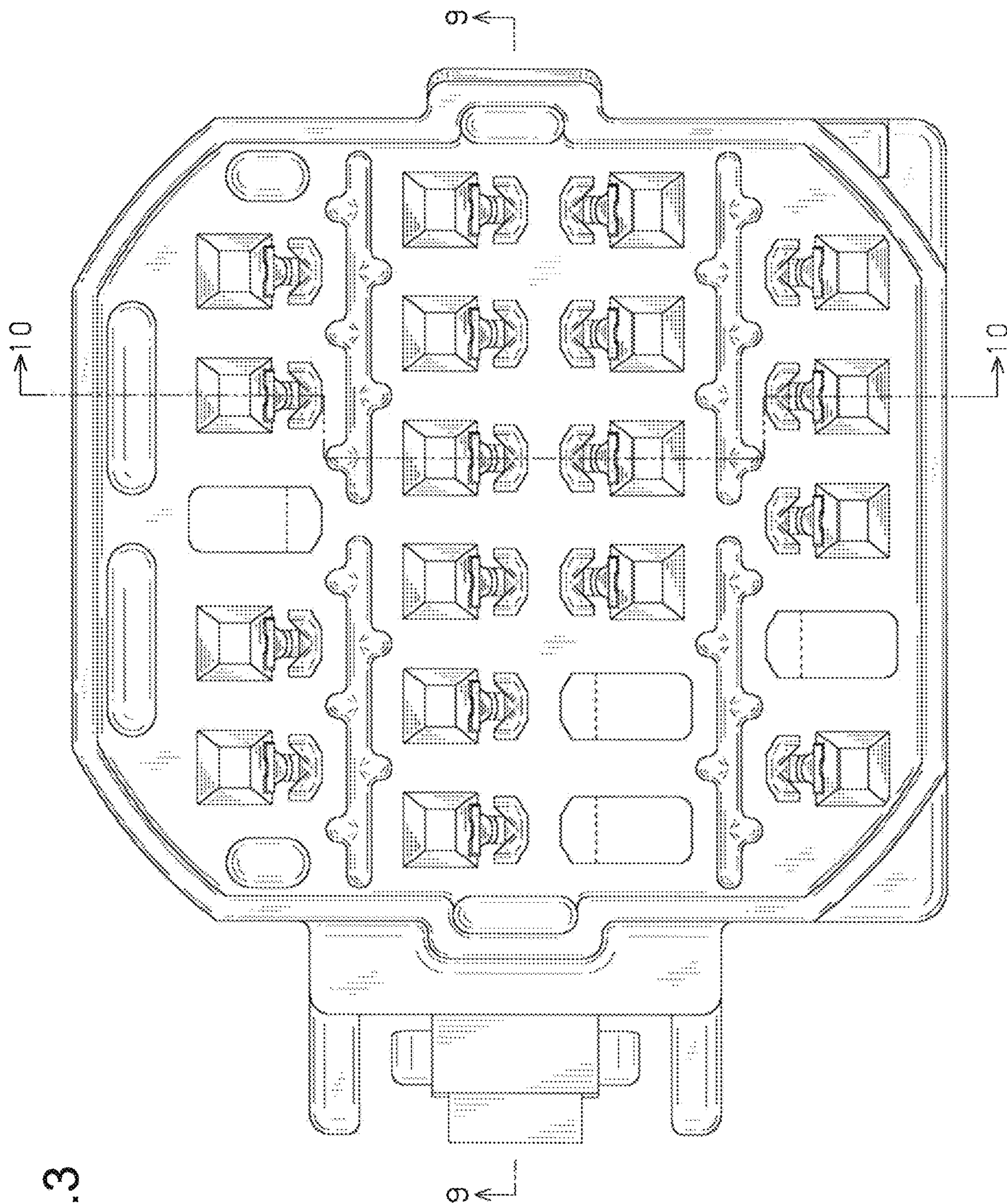


Fig. 3

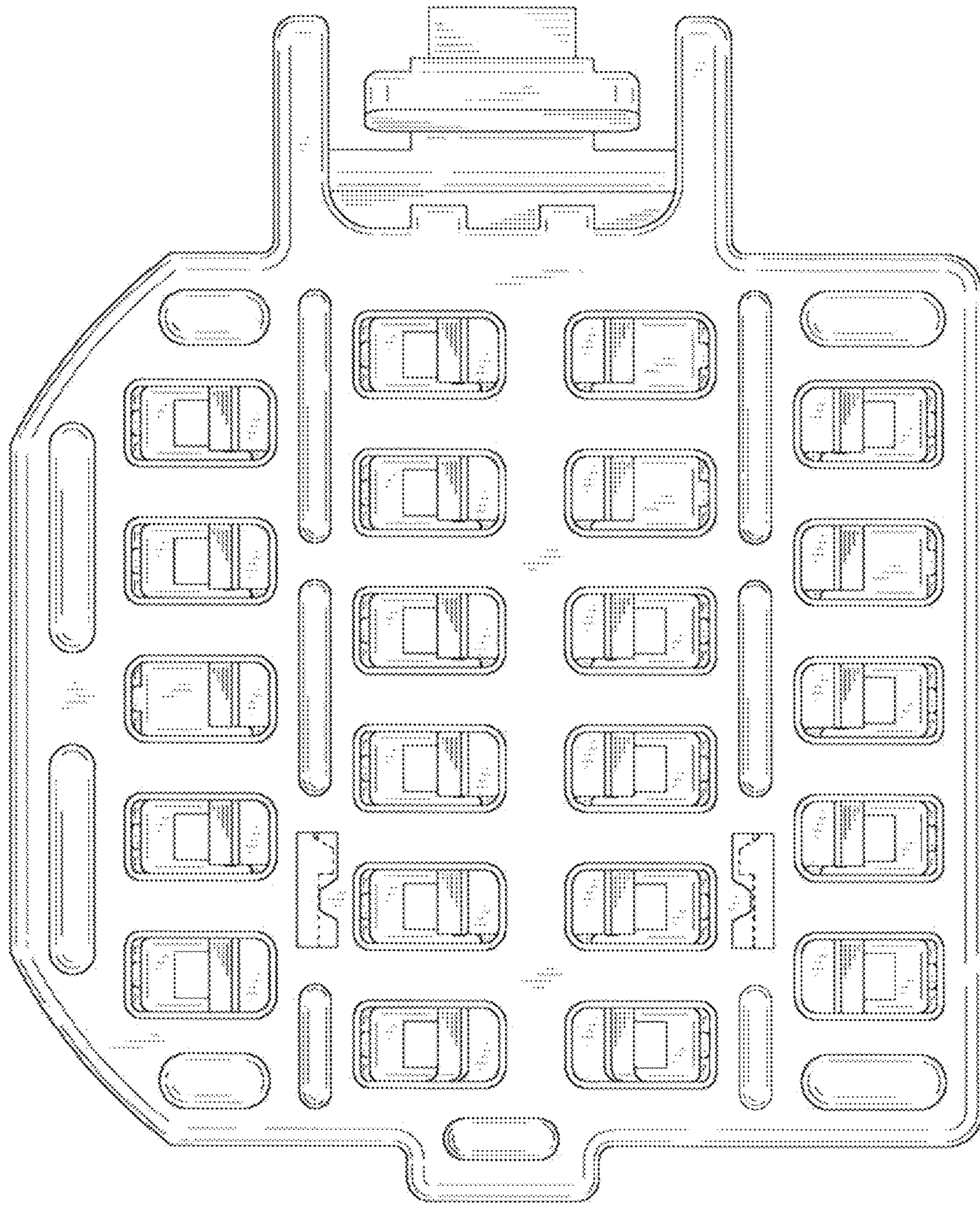


Fig.4

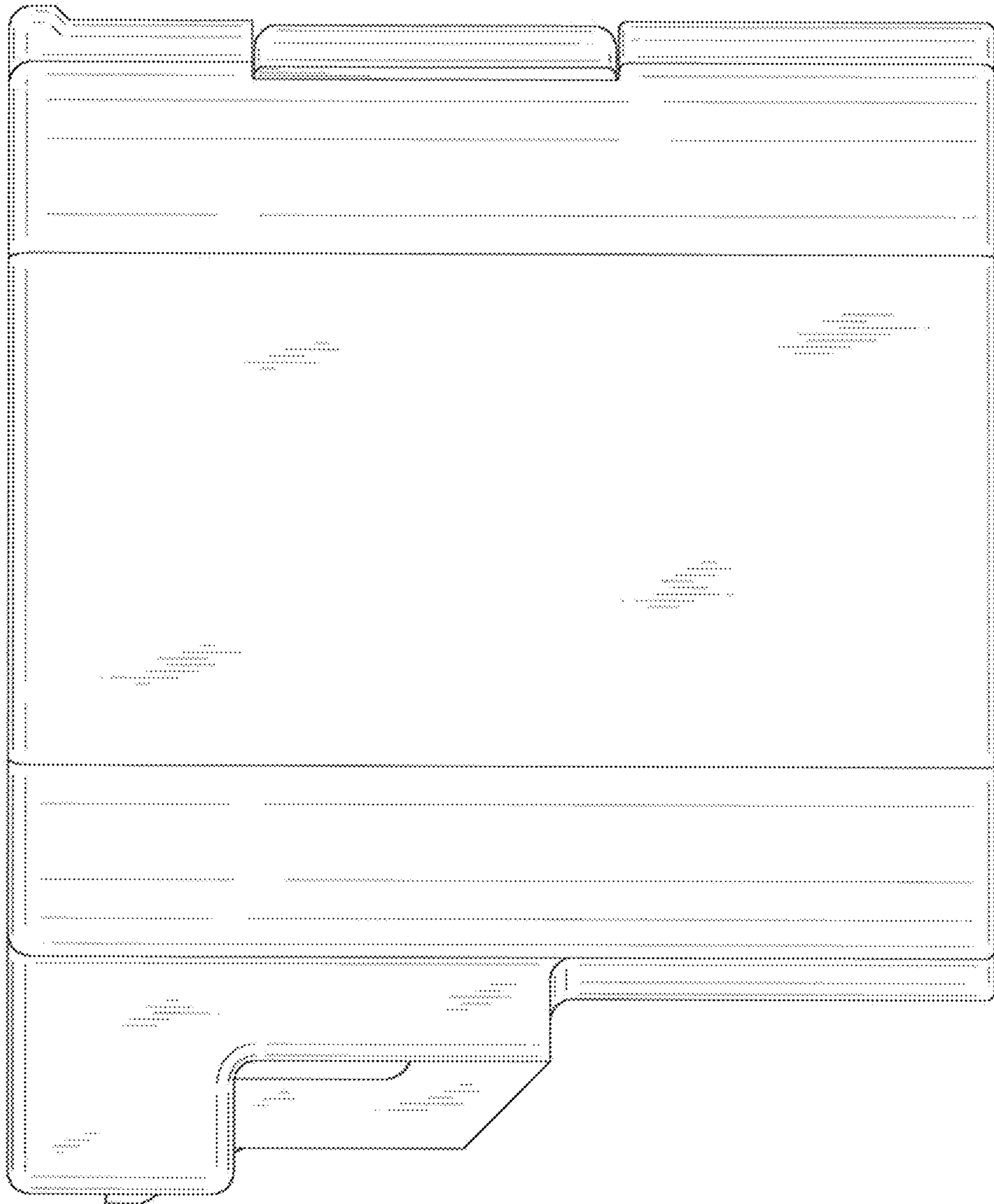


Fig. 5

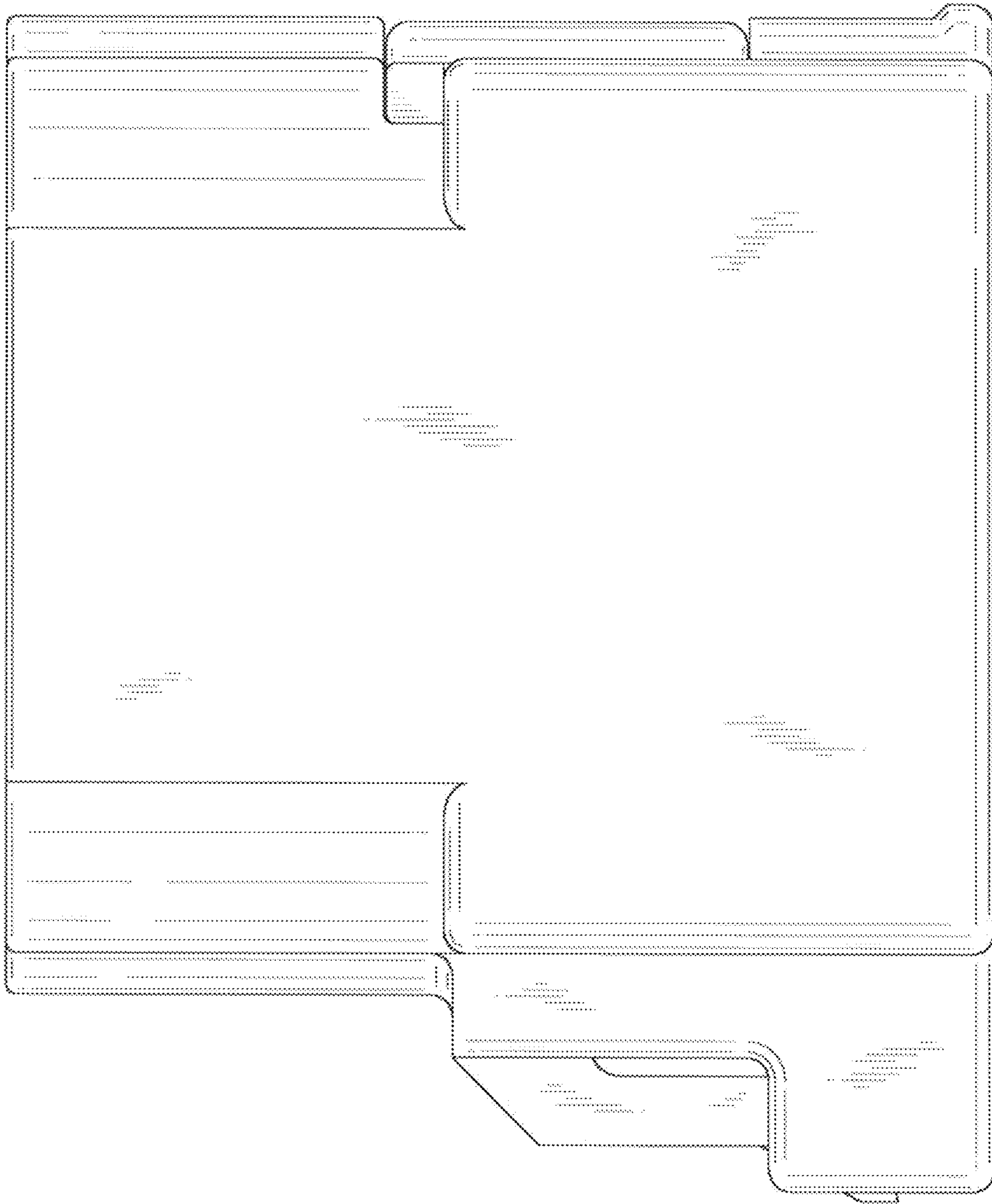


Fig.6

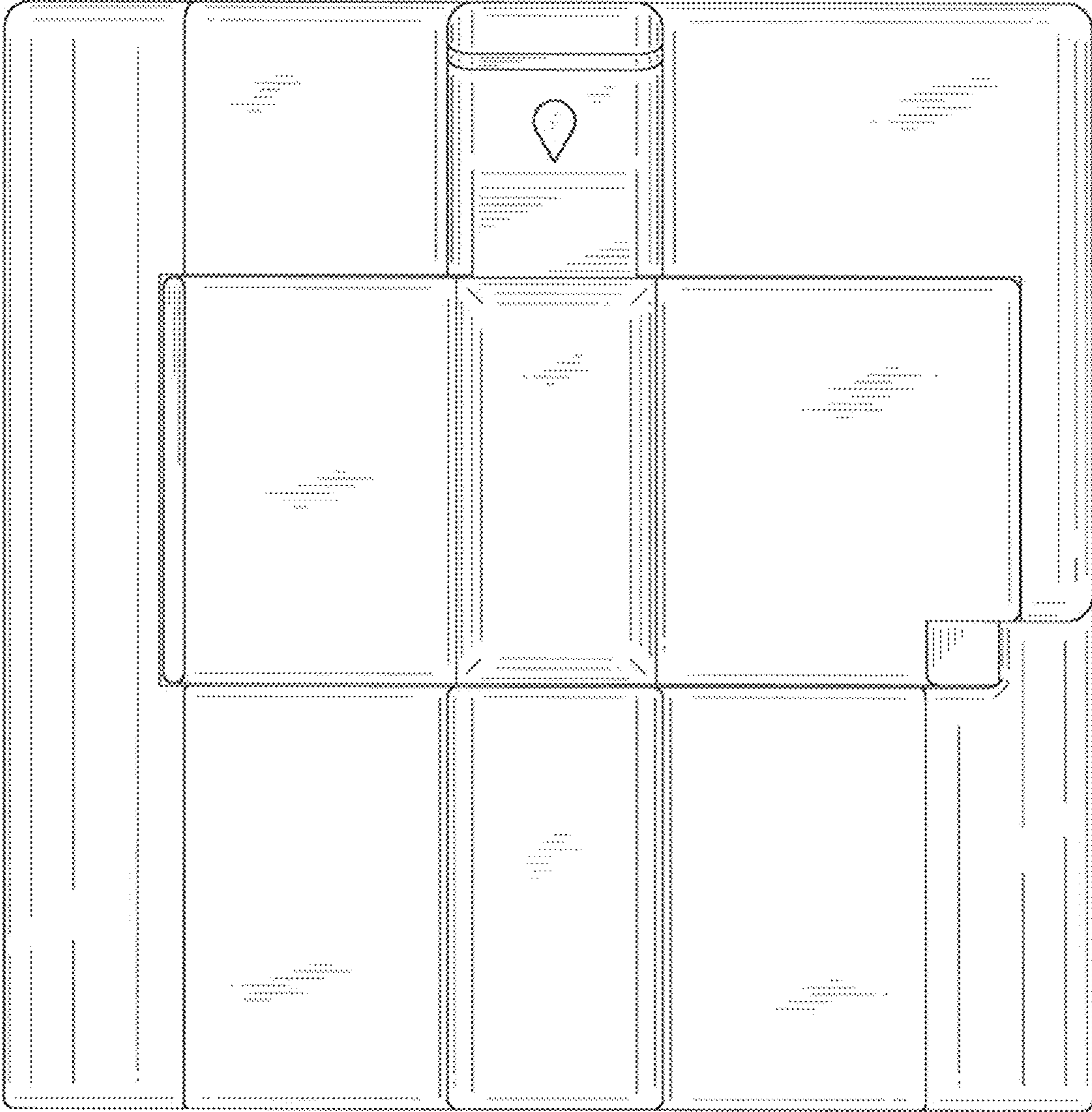


Fig.7

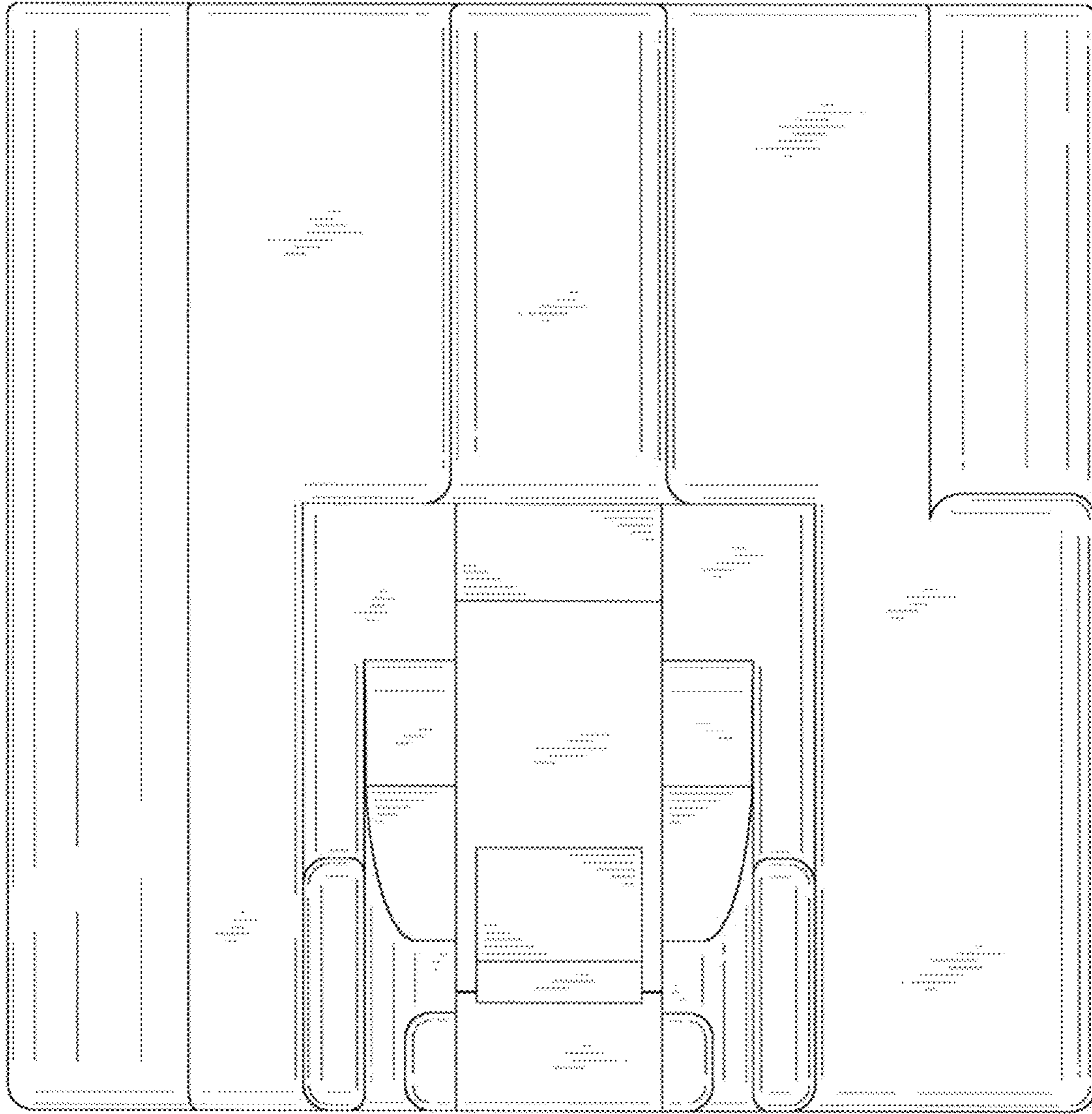


Fig. 8

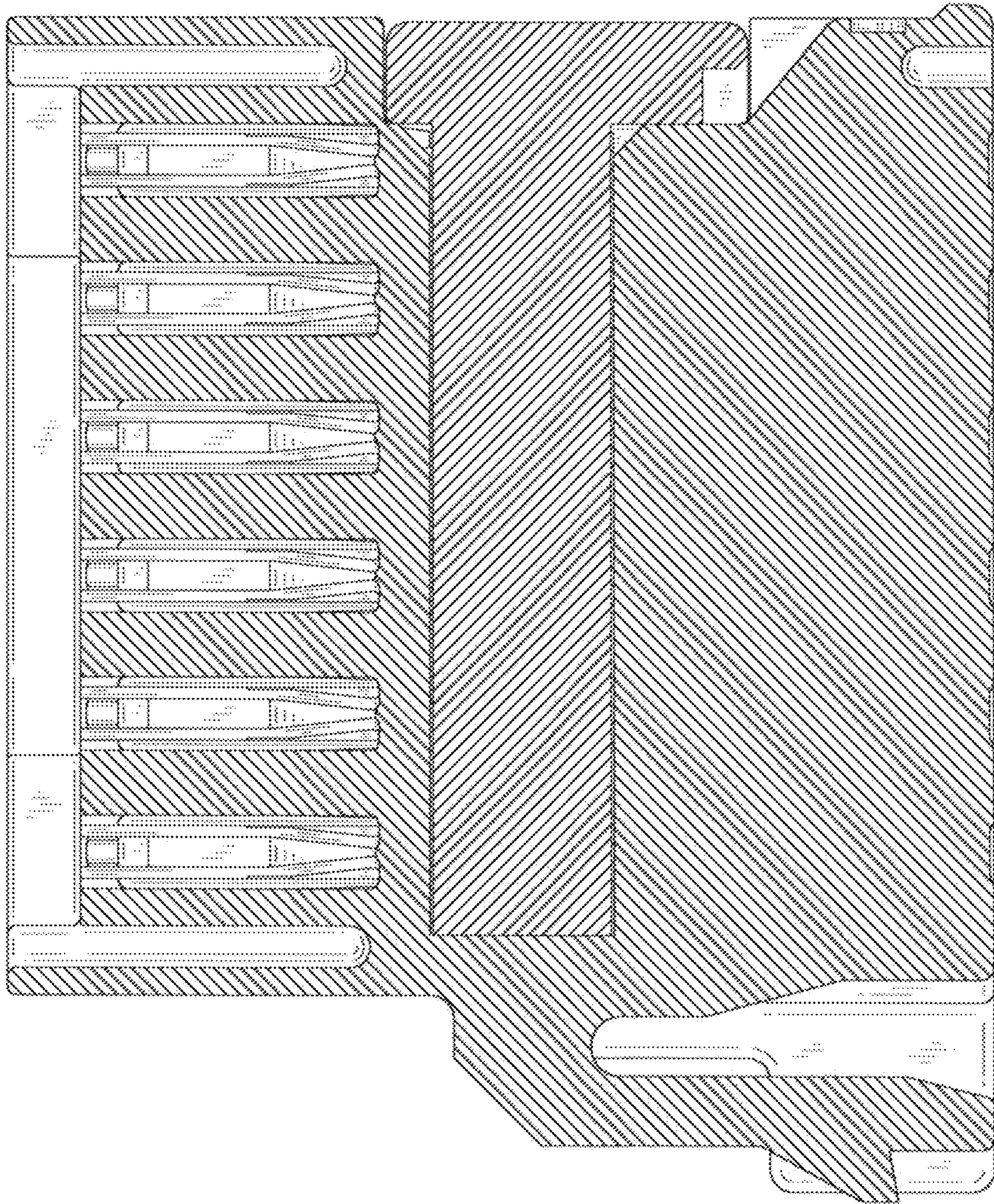


Fig. 9

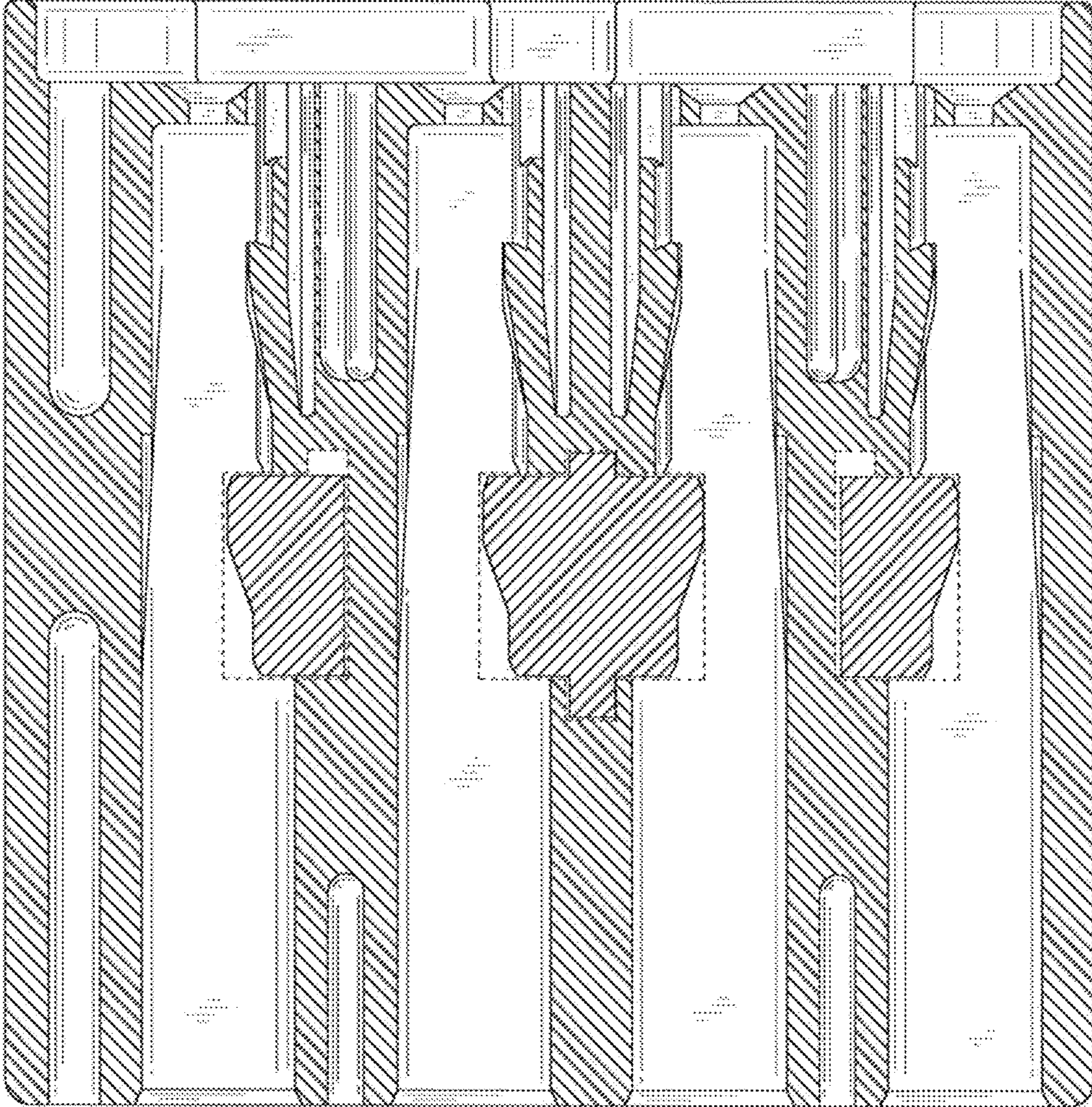


Fig. 10