



US00D890102S

(12) **United States Design Patent**
Messadek

(10) **Patent No.:** **US D890,102 S**
(45) **Date of Patent:** **** Jul. 14, 2020**

(54) **FEMALE CONNECTOR**

(71) Applicant: **Karim Messadek**, Paris (FR)

(72) Inventor: **Karim Messadek**, Paris (FR)

(**) Term: **15 Years**

(21) Appl. No.: **29/672,665**

(22) Filed: **Dec. 7, 2018**

(30) **Foreign Application Priority Data**

Jul. 11, 2018 (FR) 2018-3335

(51) **LOC (12) Cl.** **13-03**

(52) **U.S. Cl.**
USPC **D13/146**

(58) **Field of Classification Search**
USPC D13/101, 107, 108, 110, 118, 120, 123,
D13/133, 146, 147, 154, 184, 199;
D14/155, 188, 217, 223, 240, 242, 357,
D14/385, 432-438, 435.1, 496
CPC G02B 6/36; G02B 6/38; G02B 6/3869;
G02B 6/389; H01R 13/504; H01R 13/52;
H01R 13/62; H01R 13/627; H01R
13/629; H01R 24/40; H01R 13/639;
H01R 24/66

See application file for complete search history.

(56) **References Cited**

U.S. PATENT DOCUMENTS

D239,175 S * 3/1976 Mouttet D13/133
D317,293 S * 6/1991 Brisson D13/133
D538,749 S * 3/2007 Sengupta D13/133
D574,783 S * 8/2008 Chawgo D13/133
D580,874 S * 11/2008 Amidon D13/133
D638,800 S * 5/2011 The D13/154
8,257,286 B2 * 9/2012 Meyer A61H 9/0078
285/328

D769,193 S * 10/2016 Willette D13/134
D818,582 S * 5/2018 Bow D24/129
D847,092 S * 4/2019 Kelley D13/133
D847,122 S * 4/2019 Messadek D14/217
D847,747 S * 5/2019 Rasmussen D13/133
D853,967 S * 7/2019 Shepard D13/133
D867,290 S * 11/2019 Wang D13/133
D868,001 S * 11/2019 Joniak D13/146
D872,694 S * 1/2020 Ishiguro D13/133
D873,220 S * 1/2020 Ishiguro D13/133
10,556,099 B2 * 2/2020 Takeuchi A61M 39/10

OTHER PUBLICATIONS

Enttec. 3 Pin Female to 5 Pin Male Connector. No date specified.
<https://www.enttec.com/product/accessories/lighting-adapter-connector/3-pin-female-to-5-pin-male/> (Year: 0).*

(Continued)

Primary Examiner — Darcey E Gottschalk
(74) *Attorney, Agent, or Firm* — PatentFile, LLC; Bradley C. Fach

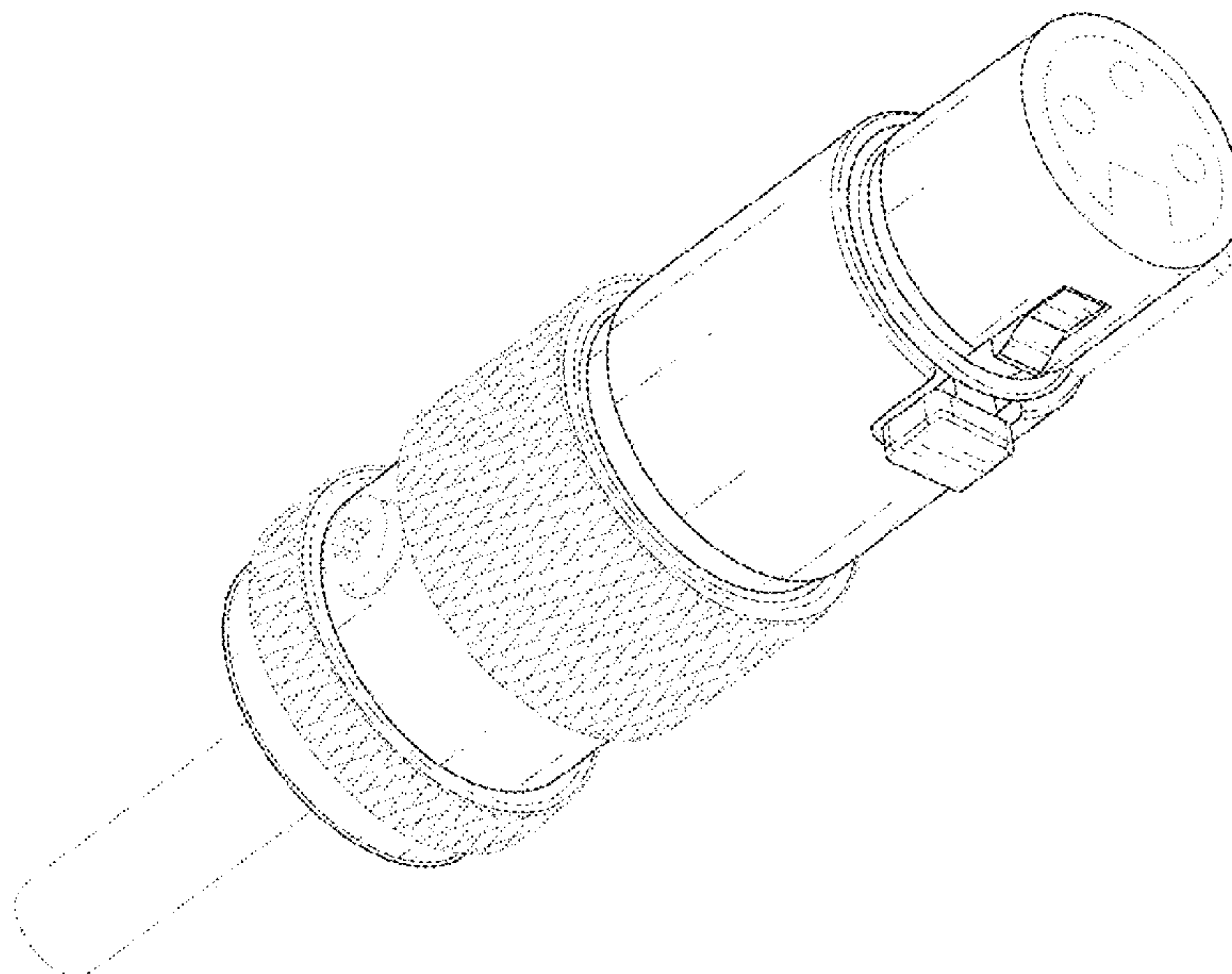
(57) **CLAIM**

The ornamental design for a female connector, as shown and described.

DESCRIPTION

FIG. 1 is a front perspective view showing the new, original, and ornamental design of a female connector;
FIG. 2 is a front elevation view thereof;
FIG. 3 is a rear elevation view thereof;
FIG. 4 is a left side elevation view thereof;
FIG. 5 is a right side elevation view thereof;
FIG. 6 is a bottom side plan view thereof; and,
FIG. 7 is a top side plan view thereof.
The broken lines shown in the drawings represent environmental subject matter and form no part of the claimed design.

1 Claim, 6 Drawing Sheets



(56)

References Cited

OTHER PUBLICATIONS

Sweetwater. Switchcraft AAA3FZ 3-pole Female XLR Cable-mount Connector. No date specified. <https://www.sweetwater.com/store/detail/XLRFCabConSw--switchcraft-aaa3fz-female-3-pin-xlr-connector> (Year: 0).*

Parts Express. Neutrik NC3FX Female XLR Connector Nickel. No date specified. <https://www.parts-express.com/neutrik-nc3fx-female-xlr-connector-nickel--092-013> (Year: 0).*

* cited by examiner

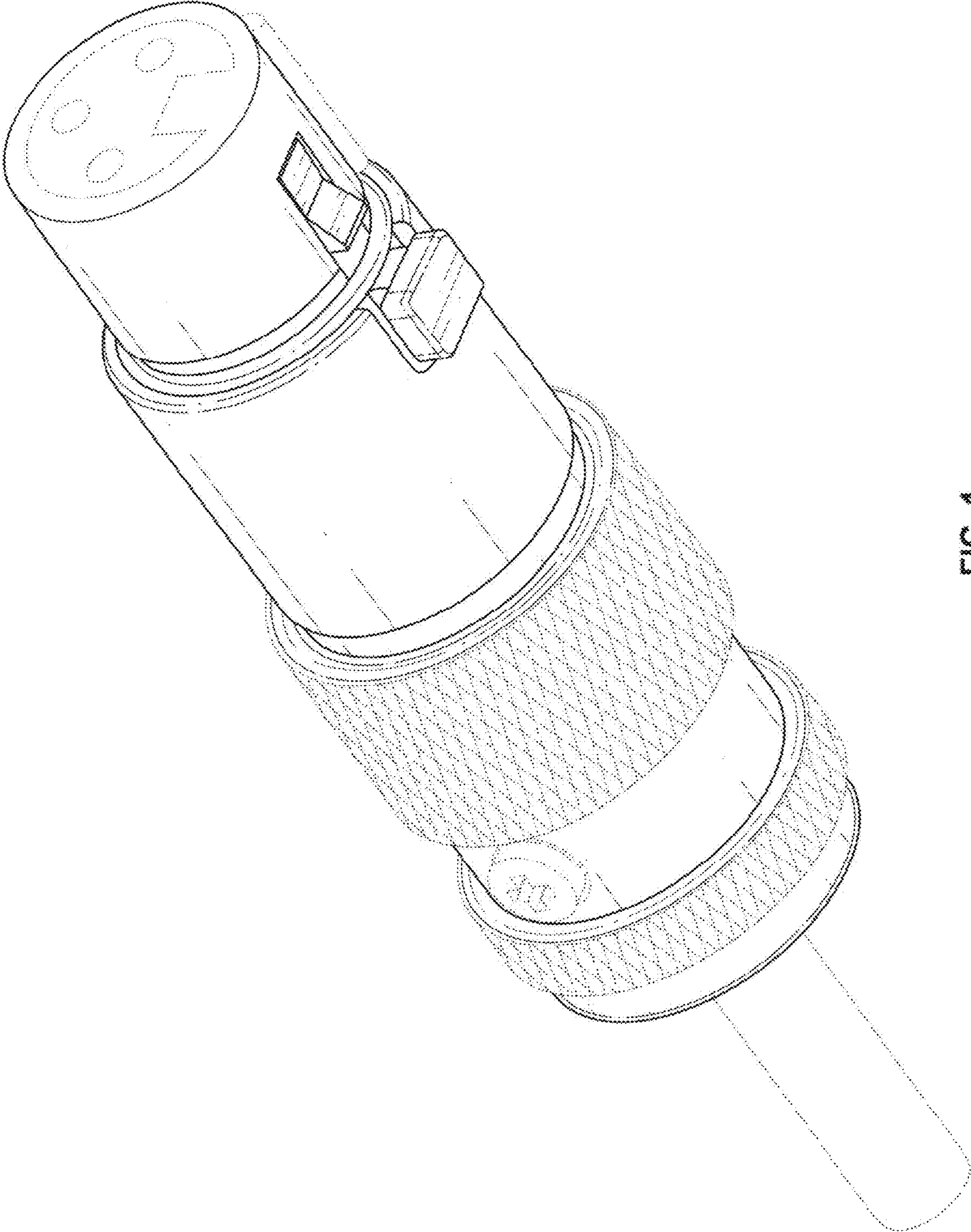


FIG. 1

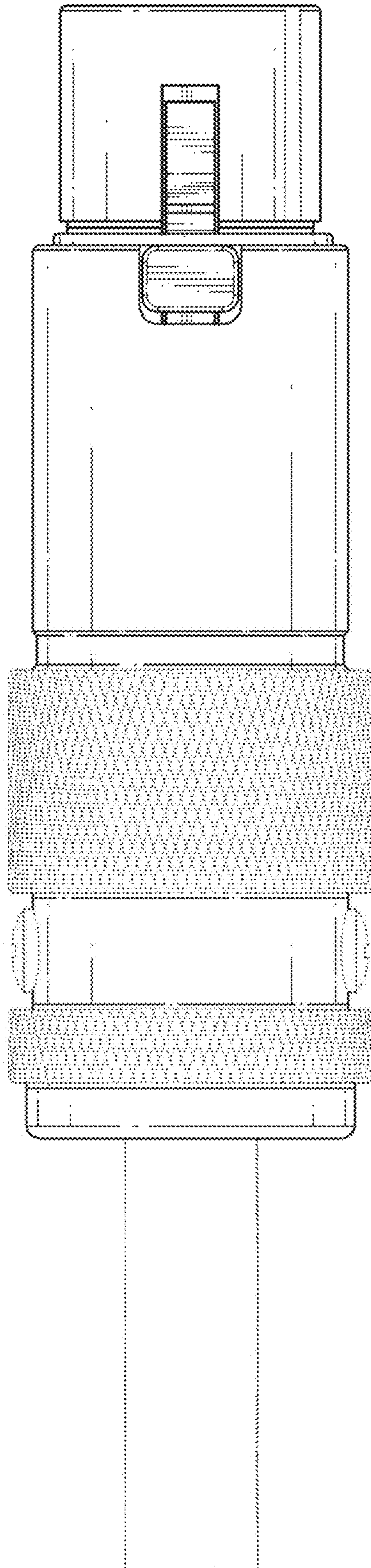


FIG. 2

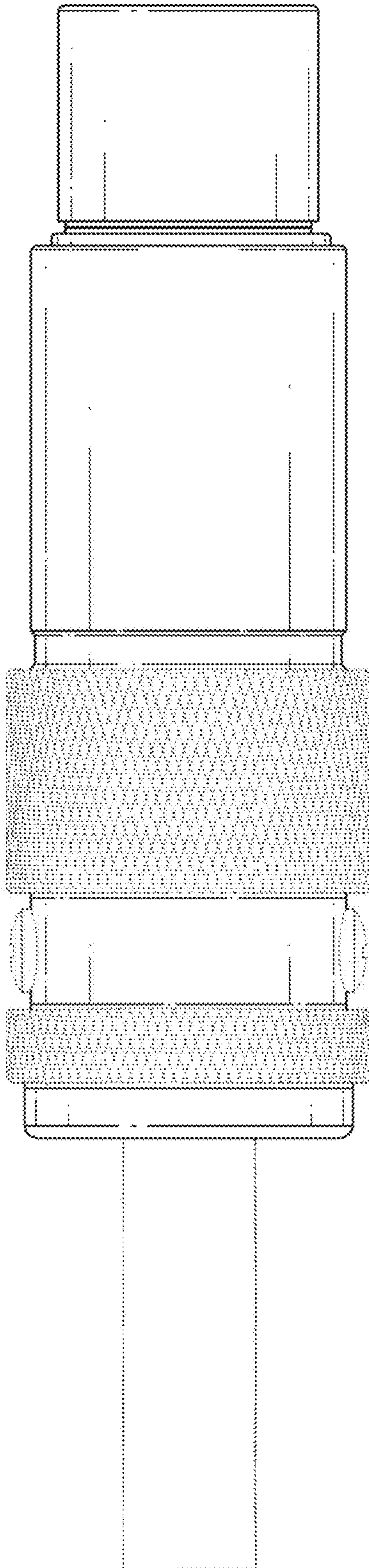


FIG. 3

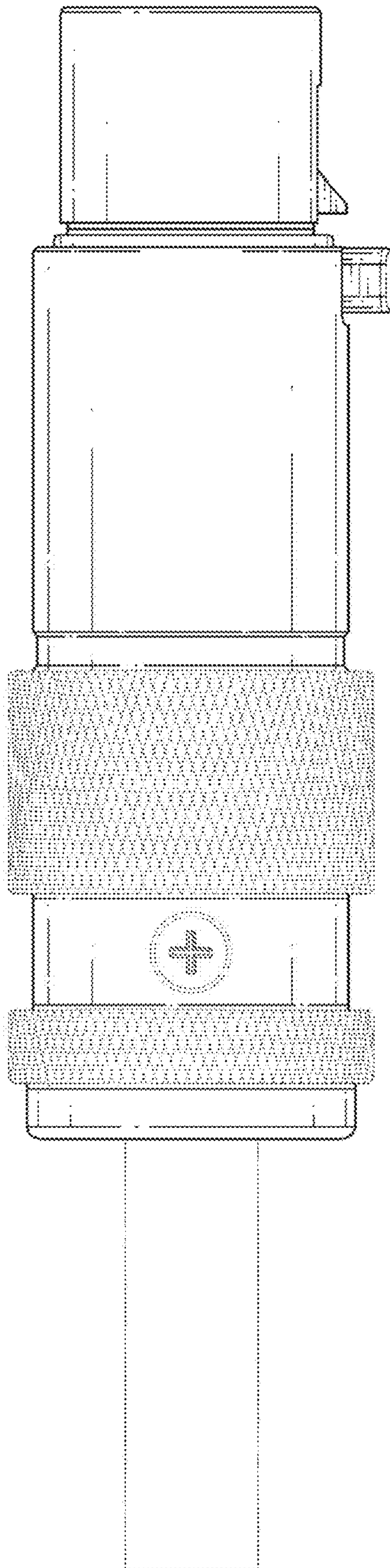


FIG. 4

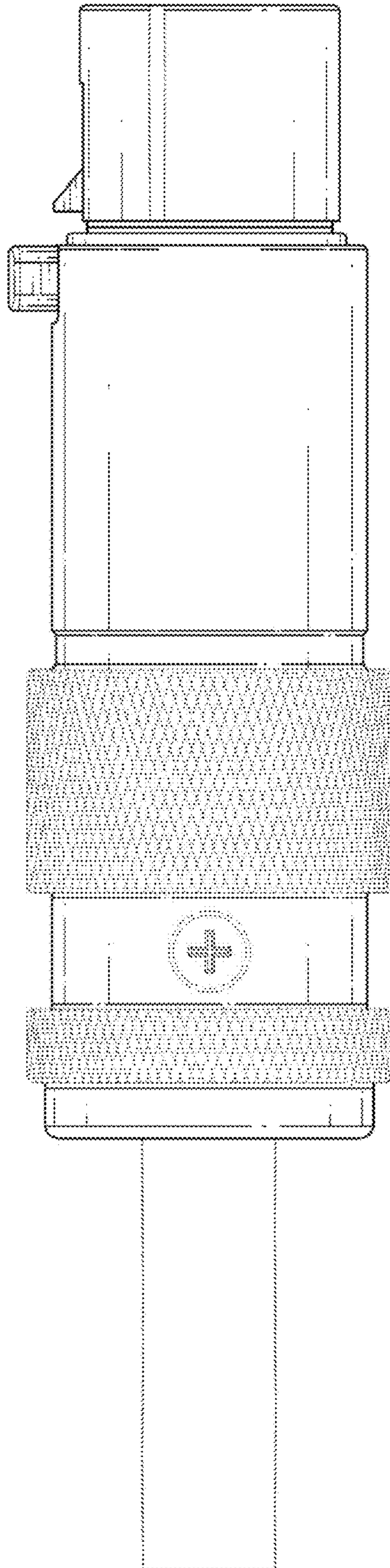


FIG. 5

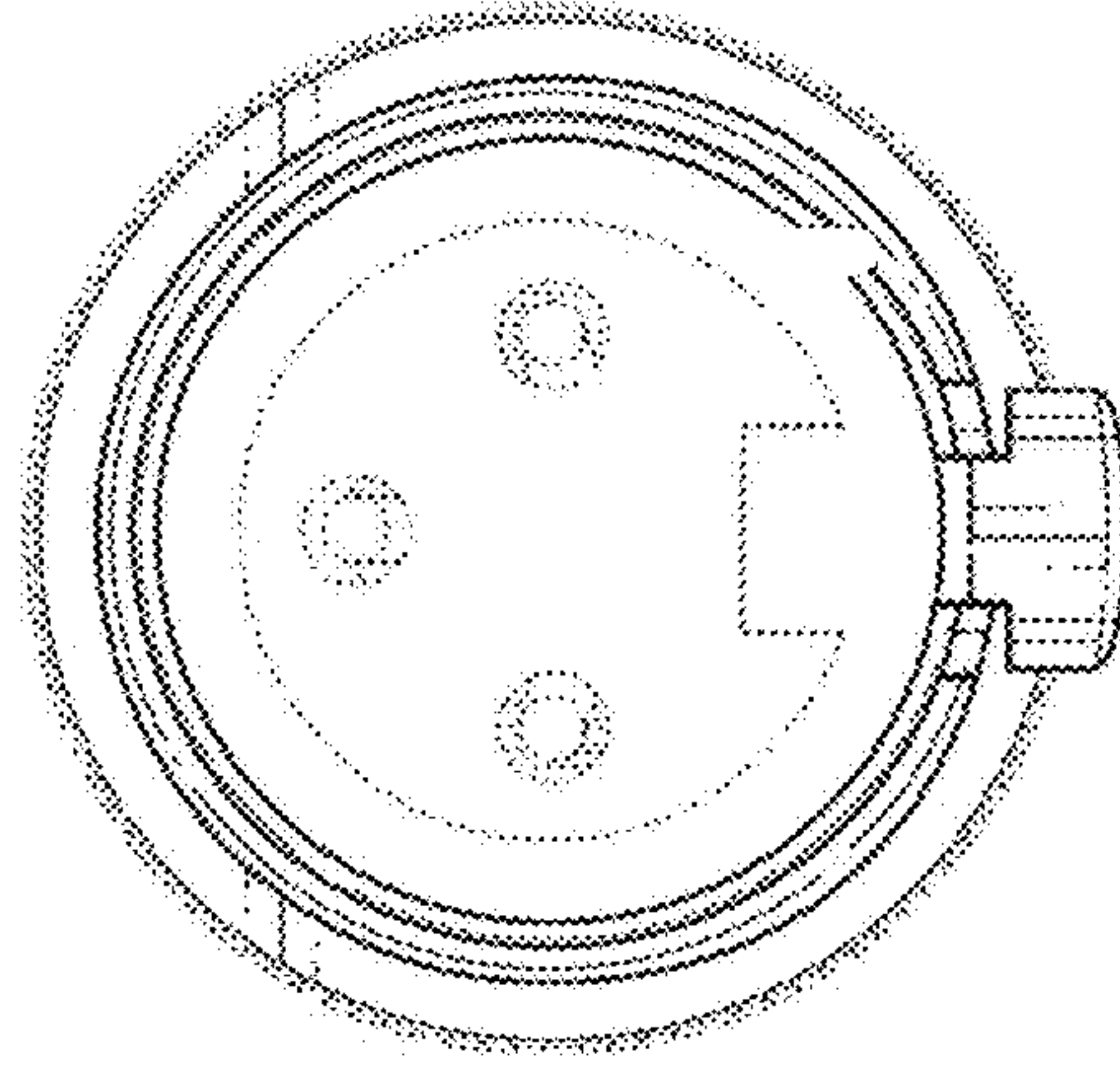


FIG. 7

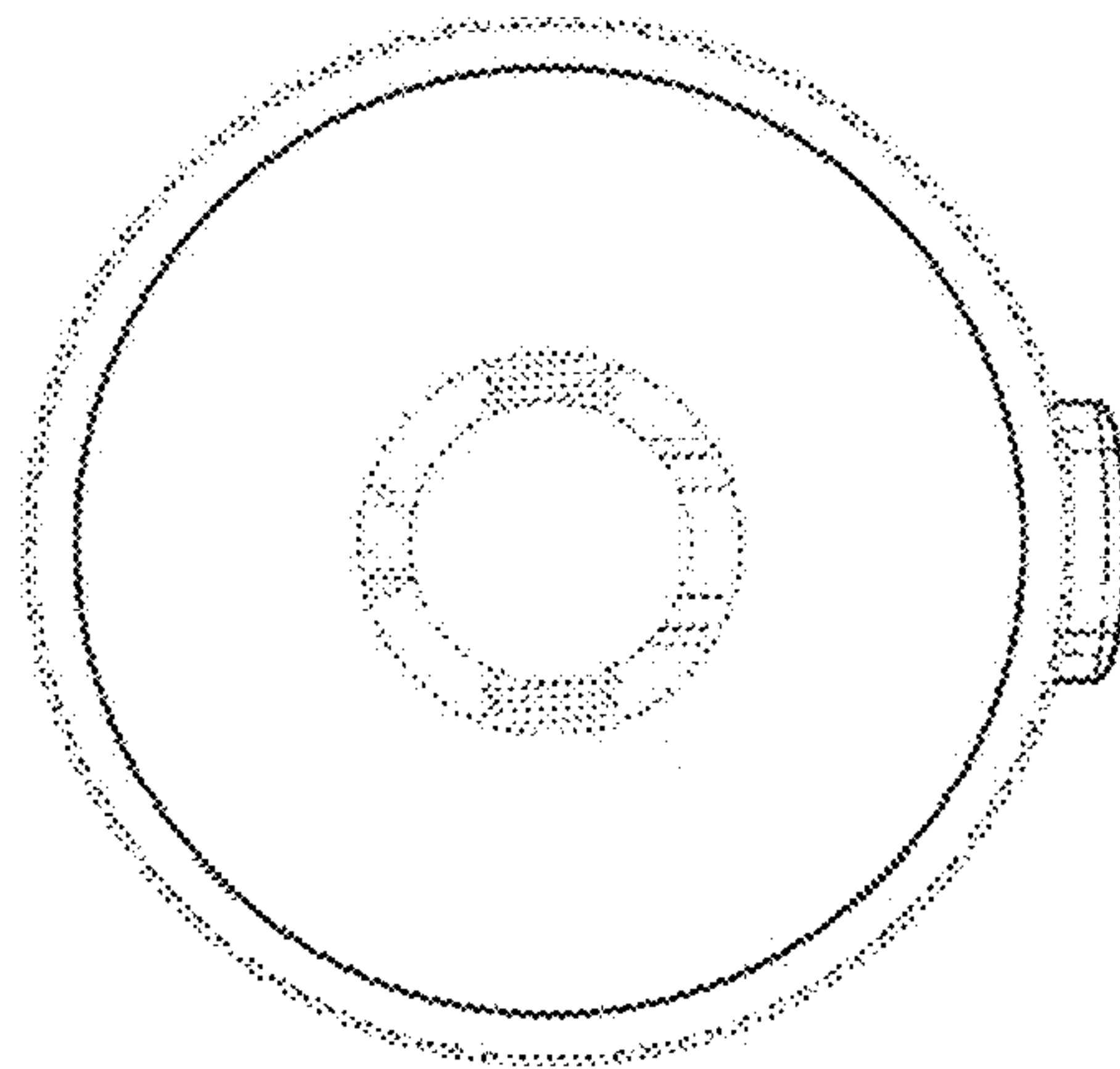


FIG. 6