

US00D890099S

(12) **United States Design Patent** (10) **Patent No.:** **US D890,099 S**
Klein (45) **Date of Patent:** **** Jul. 14, 2020**

(54) **RUGGEDIZED SIDE CONNECTOR FOR AUDIO ACCESSORIES**
(71) Applicant: **Klein Electronics, Inc.**, Escondido, CA (US)
(72) Inventor: **Richard Klein**, Escondido, CA (US)
(73) Assignee: **KLEIN ELECTRONICS, INC.**, Escondido, CA (US)

D309,305 S 7/1990 von Hall
D311,521 S 10/1990 Jonsson et al.
4,993,065 A 2/1991 Chiou
D316,550 S 4/1991 Sogabe
5,019,767 A 5/1991 Shirai et al.
D327,265 S 6/1992 Jasey
(Continued)

(**) Term: **15 Years**

(21) Appl. No.: **29/647,918**

(22) Filed: **May 16, 2018**

(51) **LOC (12) Cl.** **13-03**

(52) **U.S. Cl.**
USPC **D13/133; D13/168; D14/217**

(58) **Field of Classification Search**
USPC D13/110, 118, 120, 123, 133, D13/137.1–137.4, 139.1–139.8, 146, 147, D13/153, 154, 184, 158, 168; D14/432, D14/433, 435.1, 438, 439, 137, 205–206, D14/217, 218, 223, 225, 248, 256
CPC H04R 1/1041; H04R 3/00; H04R 5/04
See application file for complete search history.

(56) **References Cited**

U.S. PATENT DOCUMENTS

D121,962 S * 8/1940 Meuer D13/168
D180,453 S * 6/1957 Parker D13/168
D201,244 S * 6/1965 Tateisi D13/158
3,280,273 A 10/1966 Flygstad et al.
3,984,645 A 10/1976 Kresch
4,289,938 A 9/1981 Zichy
4,335,281 A 6/1982 Scott et al.
4,420,657 A 12/1983 Larkin
4,499,593 A 2/1985 Antle
4,754,484 A 6/1988 Larkin et al.
4,893,344 A 1/1990 Tragardh et al.
4,926,961 A 5/1990 Gattey et al.

OTHER PUBLICATIONS

Klein 3.5mm Adapter for XP5s and XP8, online, no post date, URL: <https://store.sonimtech.com/products/adapter-for-xp5s-and-xp8>, retrieved Apr. 23, 2020.*

(Continued)

Primary Examiner — Jeffrey D Asch
Assistant Examiner — Rebekah A Caruso

(74) *Attorney, Agent, or Firm* — Wilson Sonsini Goodrich & Rosati

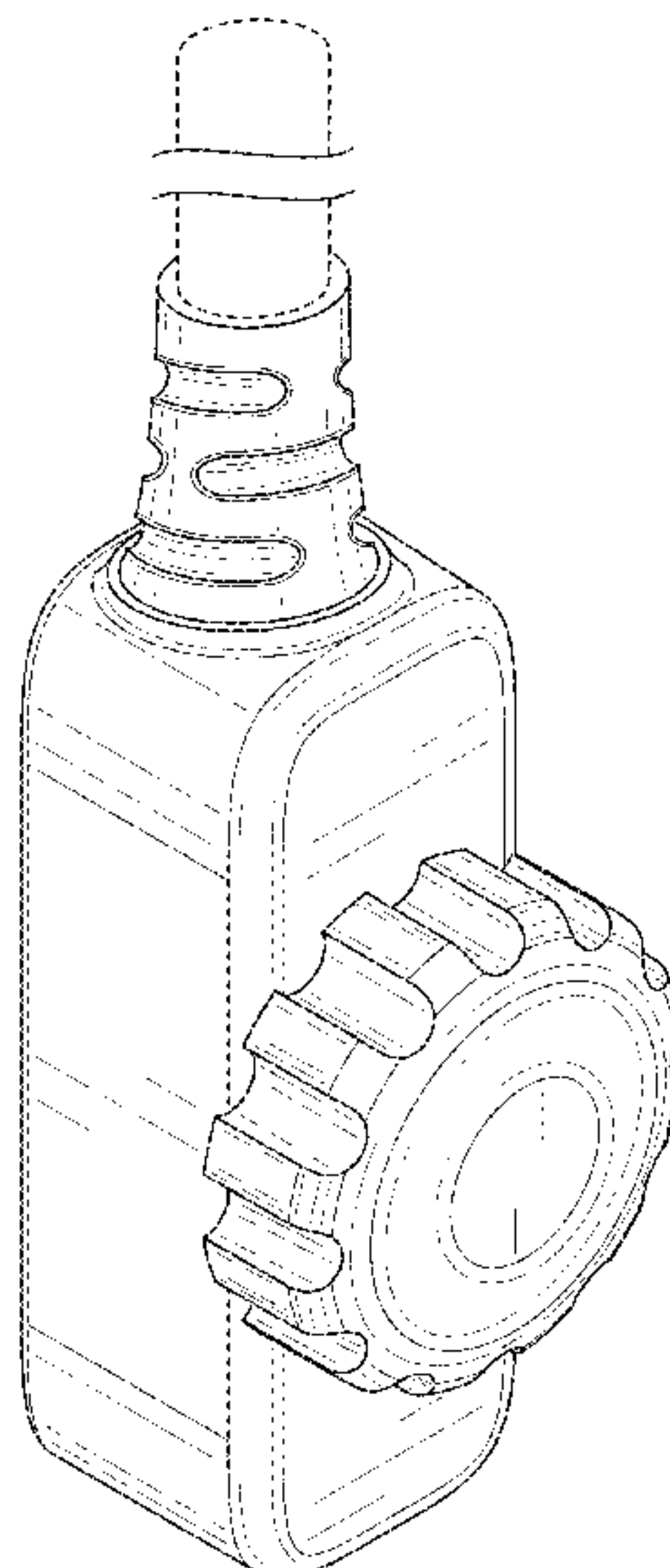
(57) **CLAIM**

The ornamental design for a ruggedized side connector for audio accessories, as shown and described.

DESCRIPTION

FIG. 1 is a top, left perspective view of a ruggedized side connector for audio accessories, showing my new design; FIG. 2 is a rear, right perspective view thereof, showing pins to connect with audio accessories; FIG. 3 is a front elevational view thereof; FIG. 4 is a rear elevational view thereof; FIG. 5 is a left side elevational view thereof; FIG. 6 is a right side elevational view thereof; FIG. 7 is a top plan view thereof; and, FIG. 8 is a bottom plan view thereof. The broken lines in the drawings represent portions of the ruggedized side connector that form no part of the claimed design. The break lines within the broken line environment also form no part of the claimed design.

1 Claim, 8 Drawing Sheets



(56)

References Cited

U.S. PATENT DOCUMENTS

D330,192 S 10/1992 Holland et al.
 D333,460 S 2/1993 Huang
 5,210,792 A 5/1993 Kajihara
 D339,355 S 9/1993 Burris et al.
 5,446,788 A 8/1995 Lucey et al.
 D366,486 S 1/1996 Runquist et al.
 D371,133 S 6/1996 Andrea
 D374,011 S 9/1996 Baxter
 5,625,171 A 4/1997 Marshall
 D383,115 S 9/1997 Nagele et al.
 D384,958 S 10/1997 Shudo
 D388,053 S 12/1997 Robertson, Jr. et al.
 D401,902 S 12/1998 Falls et al.
 D409,621 S 5/1999 Andrea
 D413,574 S 9/1999 Goto
 D430,139 S 8/2000 Peters et al.
 6,097,827 A 8/2000 Yang
 D431,030 S 9/2000 Yoon
 6,122,369 A 9/2000 Hwang et al.
 6,178,251 B1 1/2001 Luchs et al.
 6,233,167 B1 5/2001 Chen et al.
 D445,416 S 7/2001 Glezerman
 6,272,362 B1 8/2001 Wang
 6,405,056 B1 6/2002 Altschul et al.
 6,438,248 B1 8/2002 Kamimura et al.
 D463,399 S 9/2002 Konomi
 D469,753 S 2/2003 Andre et al.
 6,519,475 B1 2/2003 Kim
 D471,890 S 3/2003 Clarkson
 D473,217 S * 4/2003 Rivera D14/223
 6,625,293 B1 9/2003 Nageno et al.
 D486,819 S * 2/2004 Wilson D14/240
 D500,485 S 1/2005 Deguchi
 D506,994 S 7/2005 Olson et al.
 D510,082 S 9/2005 Olson et al.
 D511,157 S 11/2005 Johnson
 6,961,440 B1 11/2005 Schlaegel
 7,139,590 B2 11/2006 Liu et al.
 D533,865 S 12/2006 Wittenbrock et al.
 D542,280 S 5/2007 Taylor
 D548,728 S * 8/2007 Yoshiyama D14/218
 D558,735 S 1/2008 Carr et al.
 D562,317 S * 2/2008 Lagerberg D14/217
 D563,395 S 3/2008 Pitcher et al.
 D565,557 S 4/2008 Kaneda
 D569,841 S 5/2008 Chung et al.
 D575,228 S 8/2008 So
 D575,768 S 8/2008 Wang
 D578,507 S 10/2008 Ando
 D578,508 S 10/2008 Wang
 D587,678 S 3/2009 Yuyama
 D588,099 S 3/2009 Yuyama
 D588,110 S 3/2009 Darbut
 D588,584 S 3/2009 Park et al.
 D593,548 S 6/2009 von Meiss et al.
 D606,980 S 12/2009 Bradford
 D607,875 S 1/2010 Pedersen, II
 7,664,540 B2 2/2010 Tsai
 D616,419 S 5/2010 Suwalski et al.
 D619,124 S 7/2010 Clay
 D620,482 S 7/2010 Chen
 7,778,435 B2 8/2010 Smith et al.
 D653,219 S * 1/2012 Woytowicz D13/159
 D654,867 S 2/2012 Hueppe
 D676,812 S 2/2013 Smith et al.
 D682,808 S 5/2013 Fletcher et al.
 8,457,343 B2 6/2013 Zhu
 D691,563 S 10/2013 Yong et al.
 D698,316 S 1/2014 Yong et al.
 D698,750 S 2/2014 Yoon
 D712,873 S 9/2014 Krauss et al.

D712,874 S 9/2014 Gauger, Jr.
 D716,257 S * 10/2014 Sarkoyan D14/205
 D726,147 S 4/2015 Tran et al.
 D726,831 S * 4/2015 Lee D13/168
 D734,298 S 7/2015 Tatkon-Coker et al.
 D739,377 S 9/2015 Yeom et al.
 D743,381 S * 11/2015 Pi D14/218
 D746,260 S 12/2015 Goransson
 D753,626 S 4/2016 Tran
 D754,637 S * 4/2016 Harper D14/206
 D776,637 S 1/2017 Chen
 D777,138 S 1/2017 Fletcher et al.
 D778,873 S 2/2017 Chen et al.
 D793,360 S 8/2017 Birger
 D793,995 S * 8/2017 Nakagawa D14/218
 D807,300 S * 1/2018 Lambie D13/147
 D807,832 S * 1/2018 Lambie D13/147
 D810,724 S 2/2018 Czaniecki et al.
 D817,302 S 5/2018 Birath et al.
 D821,999 S 7/2018 Guo et al.
 D823,280 S 7/2018 Guilfoyle et al.
 D824,875 S 8/2018 Czaniecki et al.
 D840,954 S * 2/2019 Wu D13/168
 D848,954 S * 5/2019 Chadbourne D13/154
 D862,421 S * 10/2019 Arimoto D14/218
 D867,335 S * 11/2019 Lee D14/218
 D870,057 S * 12/2019 Gassner D13/168
 D875,072 S * 2/2020 Yao D14/205
 D875,718 S * 2/2020 Lee D14/218
 2002/0012441 A1 1/2002 Matsunaga et al.
 2002/0096391 A1 7/2002 Smith et al.
 2002/0181729 A1 12/2002 Smith
 2004/0097273 A1 5/2004 Chiang
 2008/0167092 A1 * 7/2008 Ueda H04M 1/6066
 455/575.2
 2009/0128427 A1 5/2009 Nawa et al.
 2011/0119773 A1 * 5/2011 Woytowicz H04L 25/0282
 726/36
 2012/0018595 A1 1/2012 Berry et al.
 2012/0077549 A1 * 3/2012 Gibbons H04B 1/385
 455/569.1
 2012/0155803 A1 6/2012 Benjamin et al.
 2013/0128476 A1 5/2013 Liou et al.
 2014/0138150 A1 5/2014 Huang
 2016/0142808 A1 5/2016 Monahan et al.
 2017/0118003 A1 4/2017 Qu et al.
 2017/0295419 A1 10/2017 Poulsen et al.
 2019/0342664 A1 * 11/2019 Payne H04R 5/033

OTHER PUBLICATIONS

2 Way Radio Parts Product Image PMMN4050A.
 Co-pending U.S. Appl. No. 29/598,417, filed Mar. 24, 2017.
 Co-pending U.S. Appl. No. 29/598,418, filed Mar. 24, 2017.
 Co-pending U.S. Appl. No. 29/598,419, filed Mar. 24, 2017.
 Co-pending U.S. Appl. No. 29/598,420, filed Mar. 24, 2017.
 Co-pending U.S. Appl. No. 29/598,421, filed Mar. 24, 2017.
 Co-pending U.S. Appl. No. 29/605,412, filed May 25, 2017.
 Audio Adapter for Motorola Radio XPR 6350,XPR 6380,XPR 6550,XPR 6580,XPR 7350,XPR 7550,XPR 7380,XPR 7580,APX 3000,APX 1000,APX 900, with 2 Audio Jack, Gold-Plated Pogo Pin, Rugged Construction.
 Waveband WX-8004-E5 Series Rugged Heavy Duty Public Safety Microphone for Harris Ma/Com XG-100 P. WB#WX-8004-E5.
 U.S. Appl. No. 29/598,416 Office Action dated Mar. 26, 2018.
 U.S. Appl. No. 29/598,417 Office Action dated Mar. 27, 2018.
 U.S. Appl. No. 29/598,418 Office Action dated Mar. 29, 2018.
 U.S. Appl. No. 29/598,419 Office Action dated Mar. 29, 2018.
 U.S. Appl. No. 29/598,420 Office Action dated Mar. 27, 2018.
 U.S. Appl. No. 29/598,421 Office Action dated Mar. 29, 2018.
 Co-pending U.S. Appl. No. 29/672,295, filed Dec. 4, 2018.

* cited by examiner

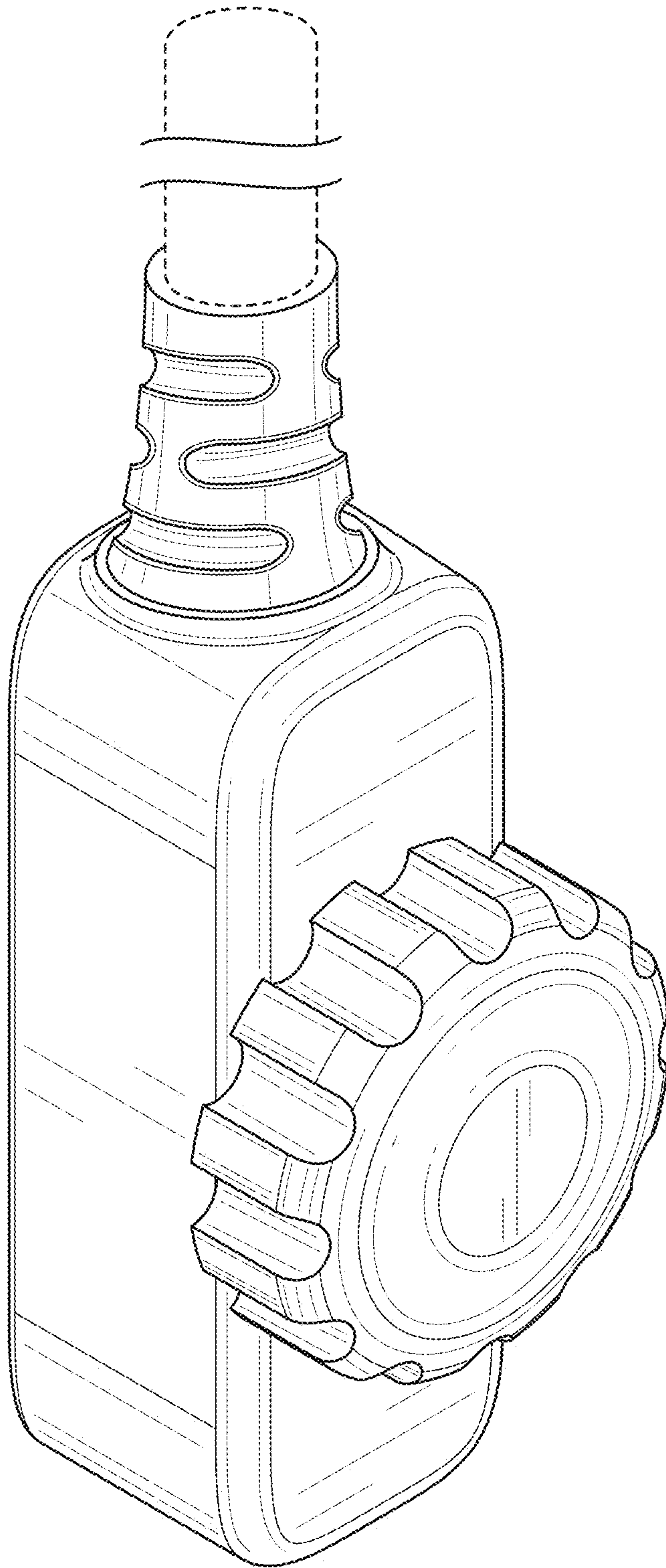


FIG. 1

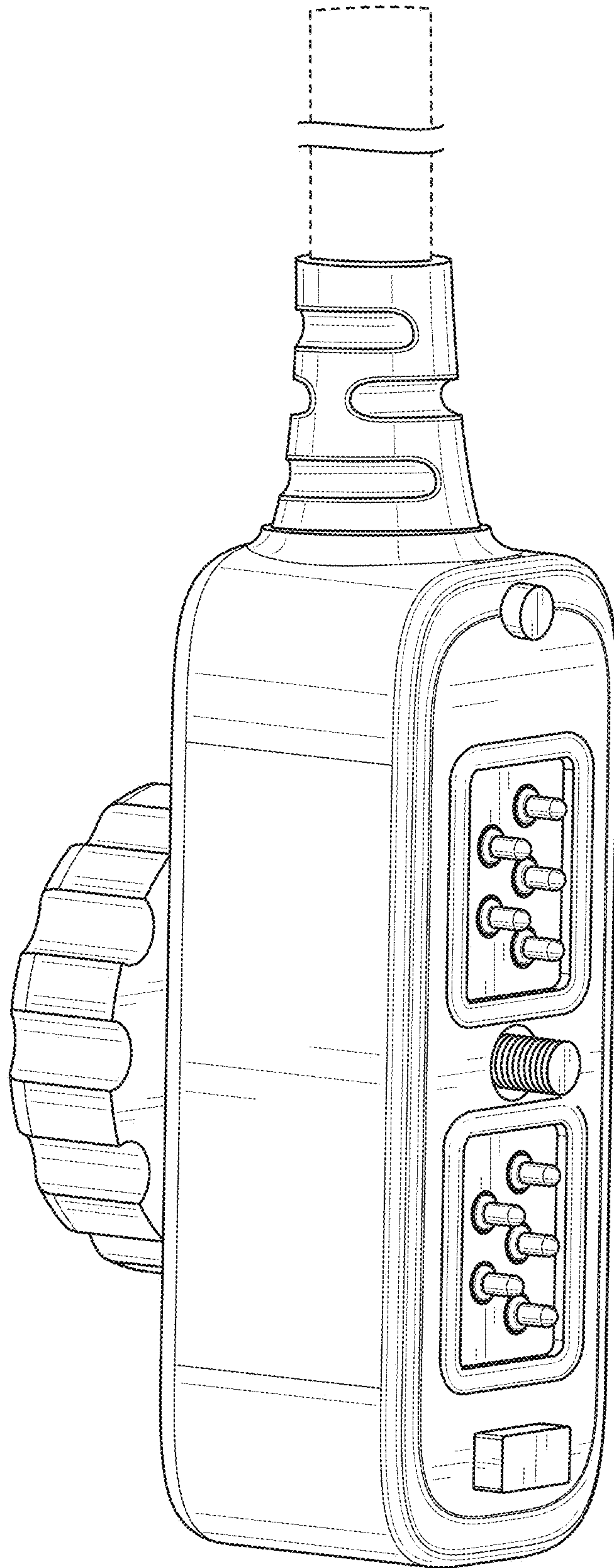


FIG. 2

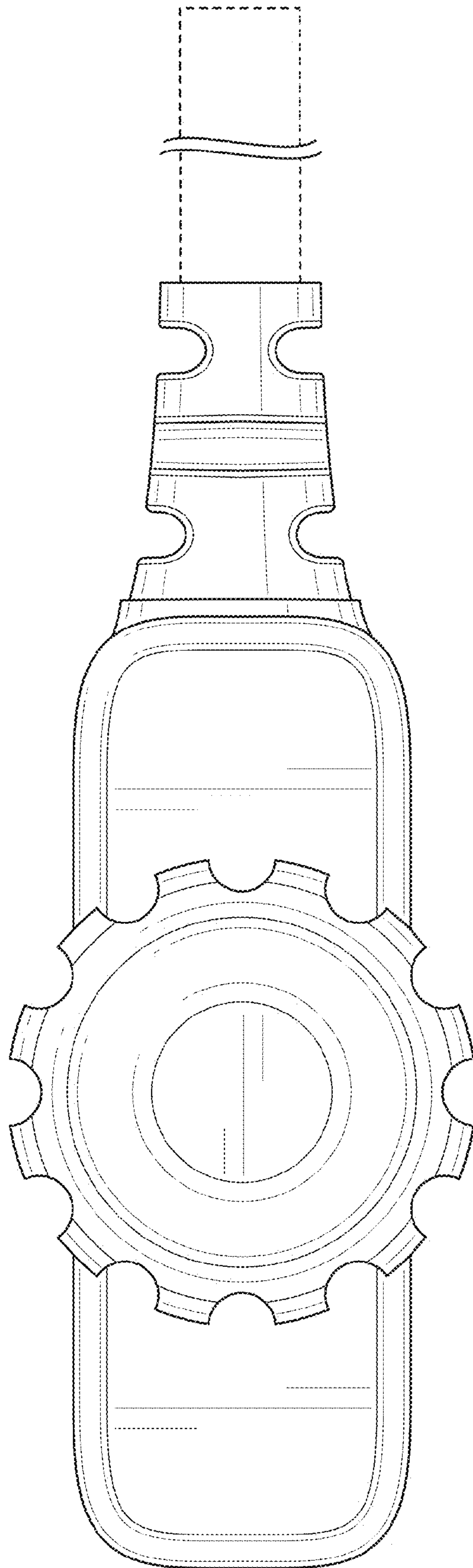


FIG. 3

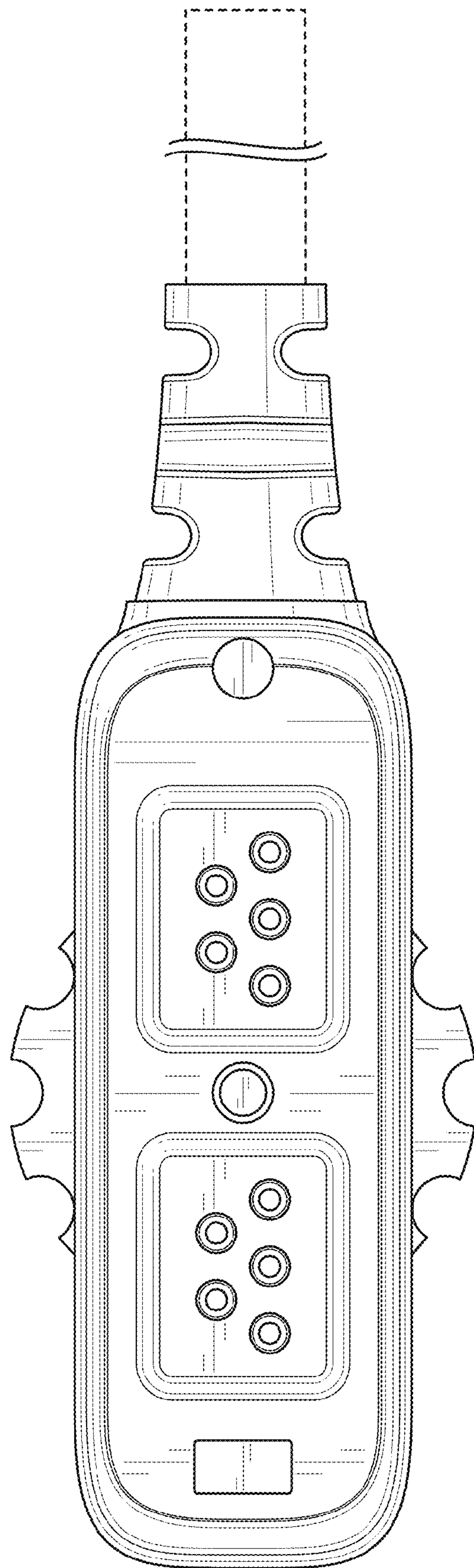


FIG. 4

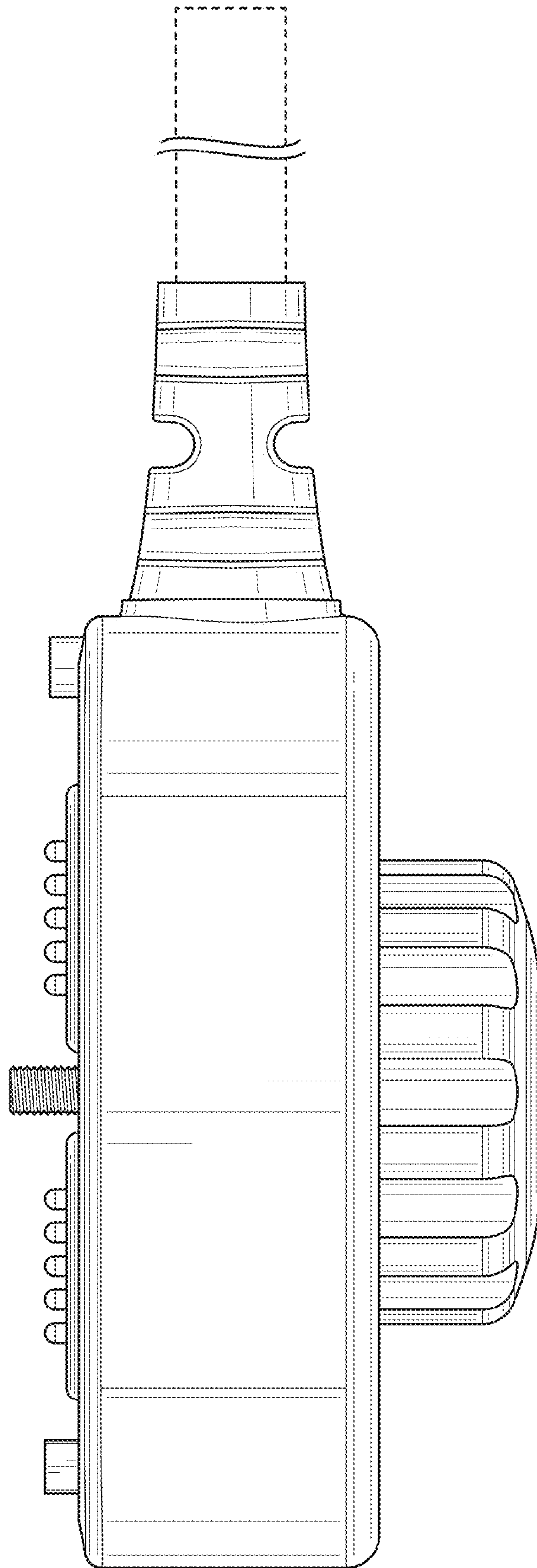


FIG. 5

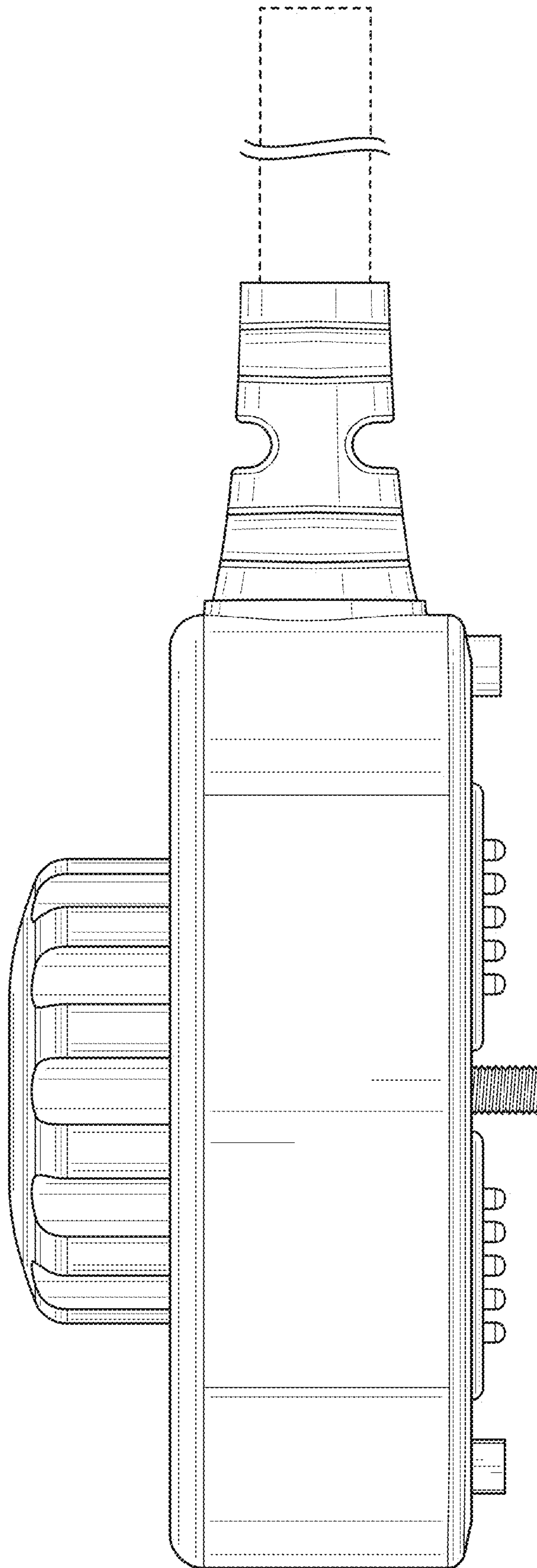


FIG. 6

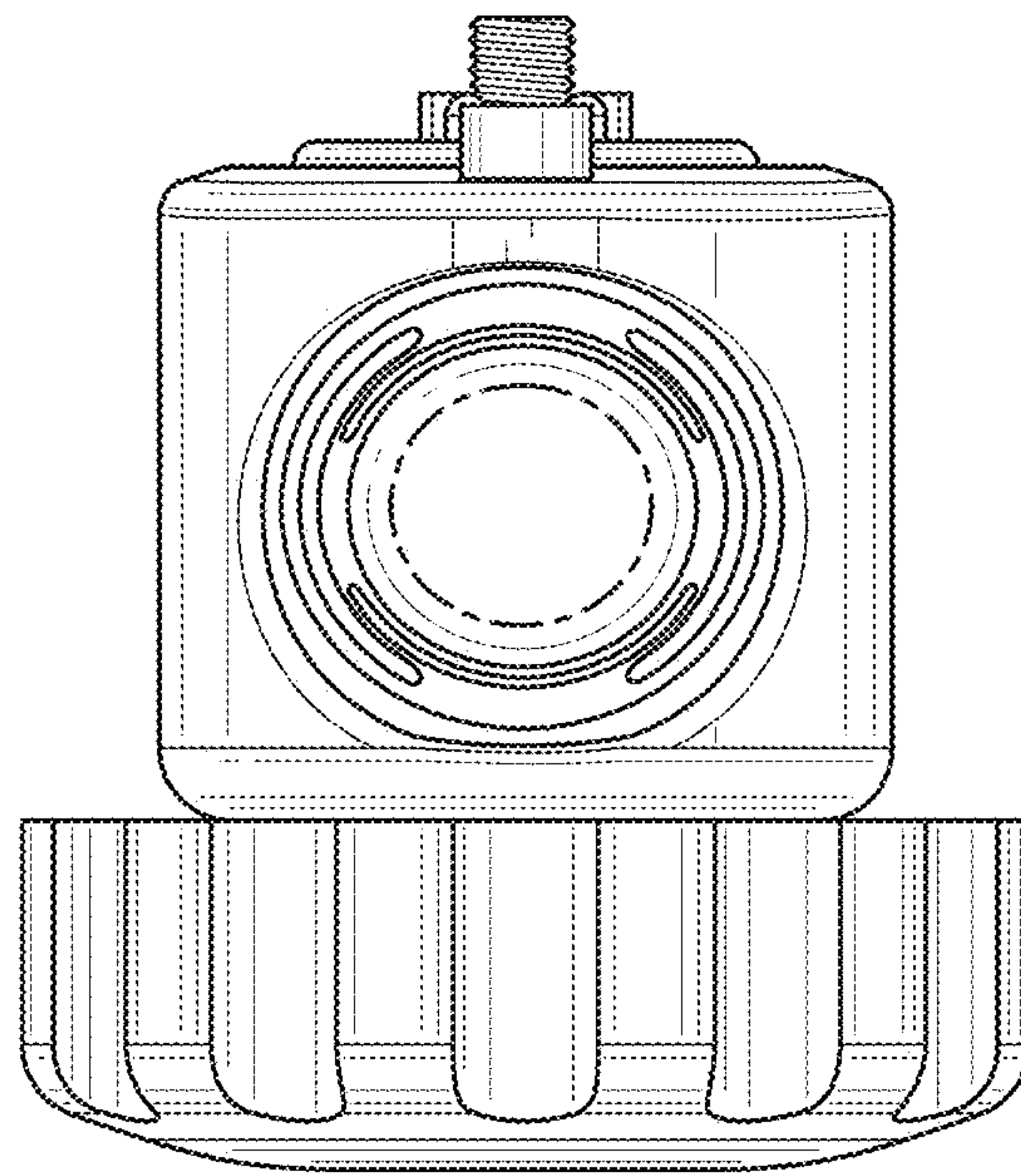


FIG. 7

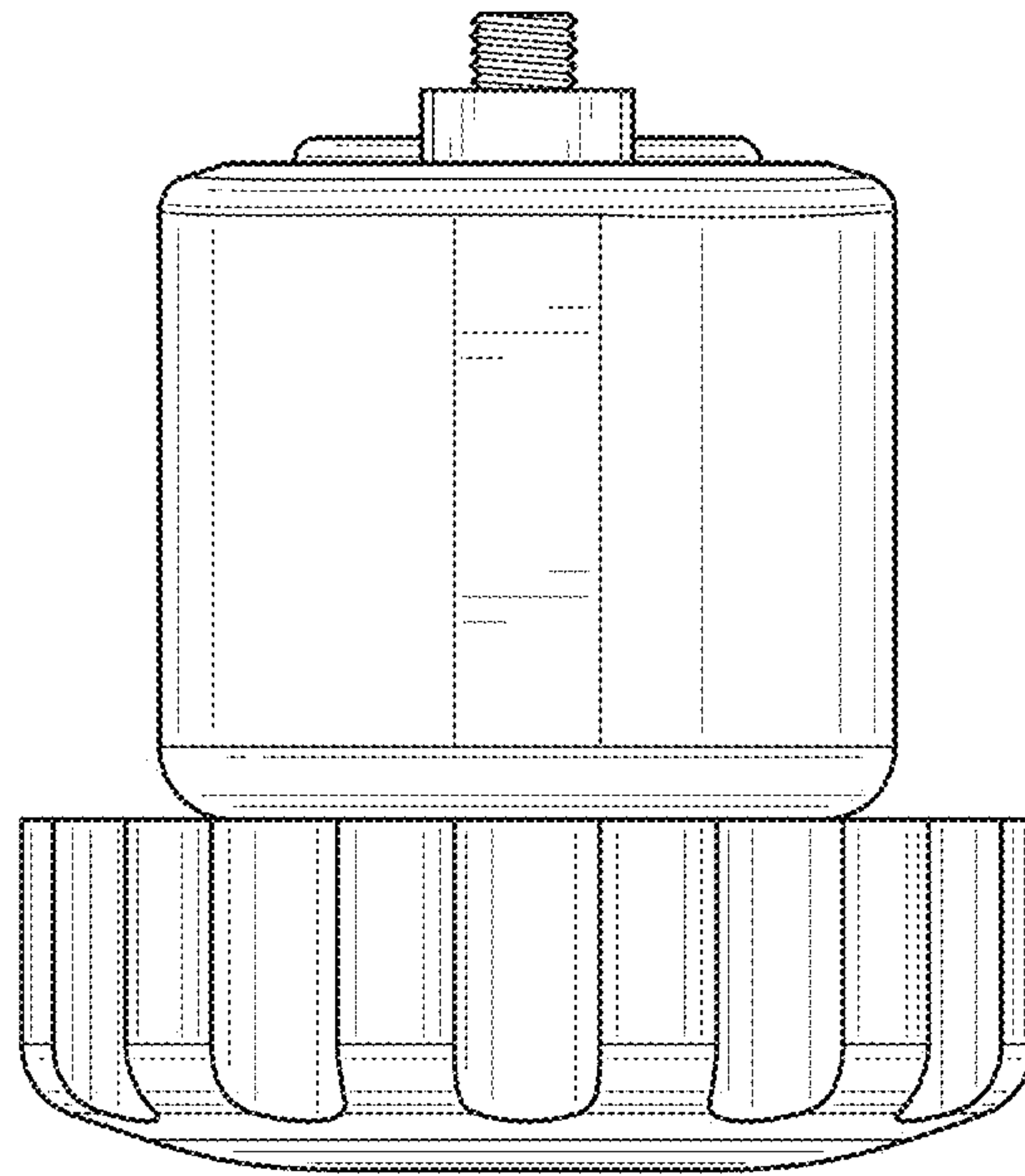


FIG. 8