



US00D890098S

(12) **United States Design Patent**
Byrne et al.

(10) **Patent No.:** **US D890,098 S**
(45) **Date of Patent:** **** Jul. 14, 2020**

- (54) **ELECTRICAL CONNECTOR**
- (71) Applicants: **Norman R. Byrne**, Ada, MI (US);
Shane Rogers, Rockford, MI (US);
Timothy J. Warwick, Sparta, MI (US);
Daniel P. Byrne, Lowell, MI (US);
Marc A. Mitchell, Belmont, MI (US);
Randell E. Pate, Jenison, MI (US)
- (72) Inventors: **Norman R. Byrne**, Ada, MI (US);
Shane Rogers, Rockford, MI (US);
Timothy J. Warwick, Sparta, MI (US);
Daniel P. Byrne, Lowell, MI (US);
Marc A. Mitchell, Belmont, MI (US);
Randell E. Pate, Jenison, MI (US)

3,816,679 A	6/1974	Hotchkiss	
4,112,941 A	9/1978	Larimore	
4,242,657 A	12/1980	Chaillot	
4,544,903 A	10/1985	Grant	
5,015,061 A	5/1991	Giannini	
5,096,434 A	3/1992	Byrne	
5,244,415 A	9/1993	Marsilio et al.	
5,829,987 A	11/1998	Fritsch et al.	
D507,779 S *	7/2005	Mazzullo	D13/133
D508,462 S *	8/2005	Mazzullo	D13/133
D513,229 S *	12/2005	Mazzullo	D13/133
D534,497 S *	1/2007	Mazzullo	D13/133
D546,284 S *	7/2007	Weikel	D13/133
7,311,526 B2	12/2007	Rohrbach et al.	
7,329,128 B1	2/2008	Awad	
7,331,793 B2	2/2008	Hernandez et al.	
7,351,066 B2	4/2008	DiFonzo et al.	
D601,502 S *	10/2009	Miyatake	D13/133
7,645,143 B2	1/2010	Rohrbach et al.	

(Continued)

(**) Term: **15 Years**

(21) Appl. No.: **29/607,301**

(22) Filed: **Jun. 12, 2017**

(51) **LOC (12) Cl.** **13-03**

(52) **U.S. Cl.**
USPC **D13/133**

(58) **Field of Classification Search**
USPC D13/110, 112, 118, 120, 123, 133, 146,
D13/147, 149, 154, 173, 184, 199
CPC H01R 13/00; H01R 13/04; H01R 13/11;
H01R 13/113; H01R 13/44; H01R 13/62;
H01R 13/6205; H01R 13/627; H01R
13/6273; H01R 13/64; H01R 13/641;
H01R 13/648; H01R 24/00; H01R 25/00
See application file for complete search history.

(56) **References Cited**

U.S. PATENT DOCUMENTS

2,170,287 A	8/1939	Kinnebrew
3,363,214 A	1/1968	Wright
3,808,577 A	4/1974	Mathauser
3,810,258 A	5/1974	Mathauser

Primary Examiner — Angela J Lee

Assistant Examiner — Shawn T Gingrich

(74) *Attorney, Agent, or Firm* — Gardner, Linn, Burkhardt
& Ondersma LLP

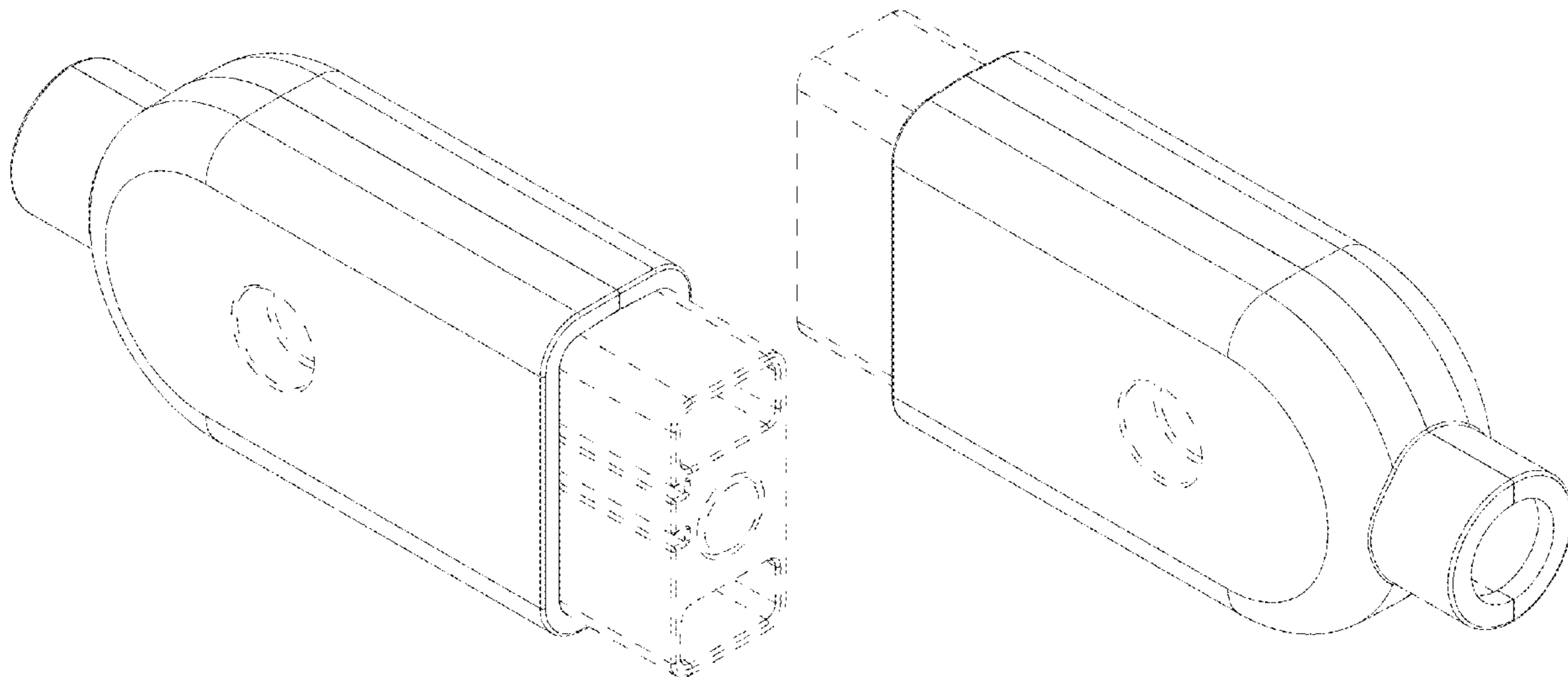
(57) **CLAIM**

The ornamental design for an electrical connector, as shown
and described.

DESCRIPTION

FIG. 1 is a front perspective view of an electrical connector
showing our new design;
FIG. 2 is a rear perspective view thereof;
FIG. 3 is a top plan view thereof;
FIG. 4 is a bottom plan view thereof;
FIG. 5 is a right side elevation thereof;
FIG. 6 is a left side elevation thereof;
FIG. 7 is a rear elevation thereof; and,
FIG. 8 is a front elevation thereof.
In the drawings, the broken lines depict unclaimed subject
matter only, and form no part of the claimed design.

1 Claim, 2 Drawing Sheets



(56)

References Cited

U.S. PATENT DOCUMENTS

D617,279	S *	6/2010	Lee	D13/147
7,771,202	B2	8/2010	Amotz et al.		
7,901,216	B2	3/2011	Rohrbach et al.		
7,909,638	B2	3/2011	Seo et al.		
D648,273	S *	11/2011	Spilker	D13/133
D648,274	S *	11/2011	Spilker	D13/133
8,087,939	B2	1/2012	Rohrbach et al.		
D671,496	S	11/2012	Byrne		
8,398,409	B2	3/2013	Schmidt		
8,435,042	B2	5/2013	Rohrbach et al.		
D686,163	S	7/2013	Byrne		
8,602,795	B2	12/2013	Hsu		
8,690,582	B2	4/2014	Rohrbach et al.		
9,077,105	B2	7/2015	Kim		
9,083,110	B2	7/2015	McClelland		
9,147,965	B2	9/2015	Lee		
9,225,126	B2	12/2015	Janfada et al.		
D748,581	S *	2/2016	Chen	D13/147
9,431,182	B2	8/2016	Kim et al.		
9,531,118	B2	12/2016	Byrne et al.		
D779,492	S *	2/2017	Lin	D14/433
D788,707	S *	6/2017	Griepenstroh	D13/133
D824,332	S *	7/2018	Ackerman	D13/117
10,027,059	B2	7/2018	Byrne et al.		
D830,298	S *	10/2018	Bailey	D13/108
10,381,782	B2 *	8/2019	Byrne	H01R 13/6205
2011/0159706	A1	6/2011	Wu		
2011/0217880	A1 *	9/2011	Schmidt	H01R 13/506 439/676
2014/0120746	A1	5/2014	Persion et al.		
2015/0357753	A1	12/2015	Lee		
2016/0336695	A1	11/2016	Janfada et al.		
2017/0317446	A1 *	11/2017	Byrne	H01R 11/30
2018/0358749	A1 *	12/2018	Byrne	H01R 13/6205

* cited by examiner

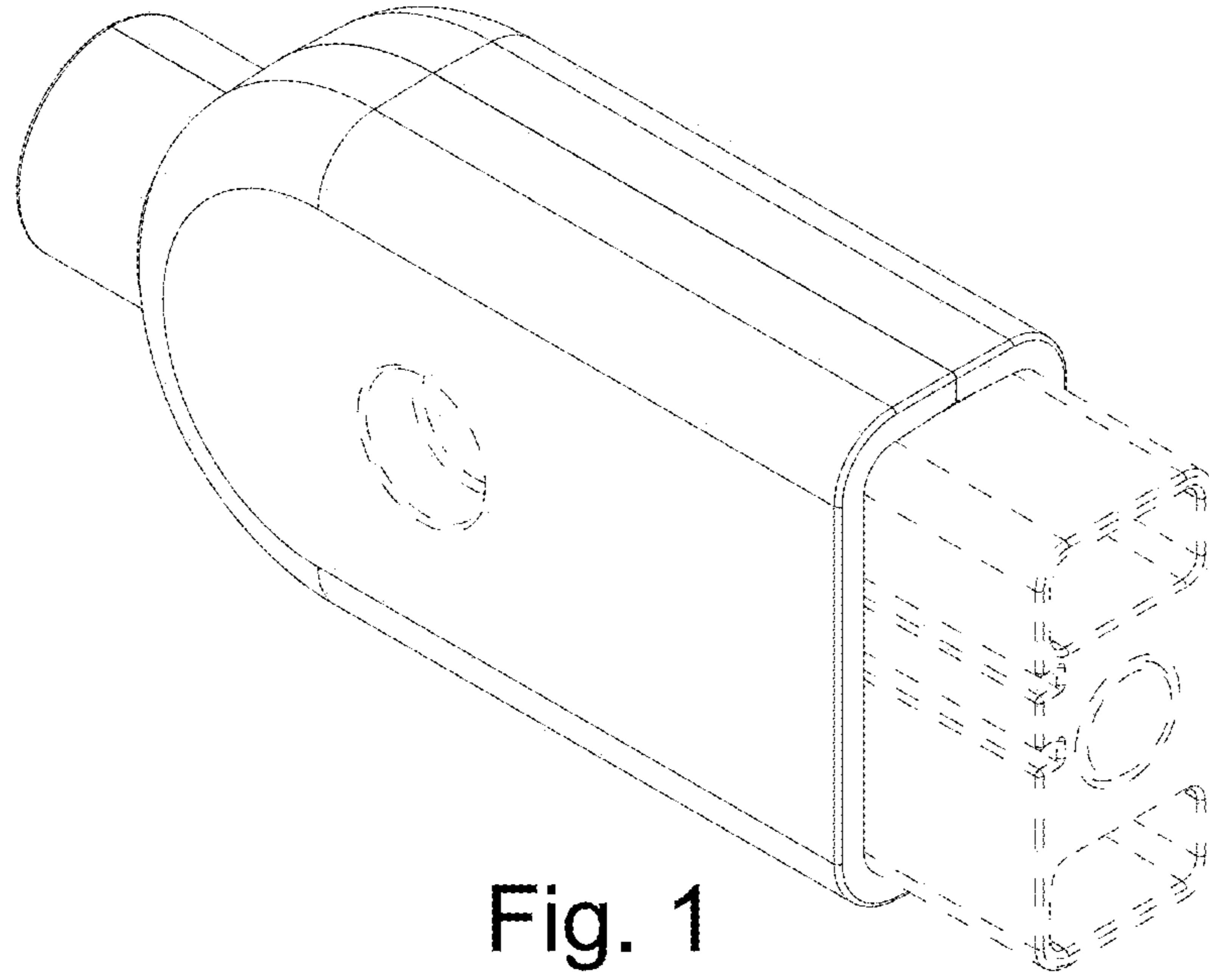


Fig. 1

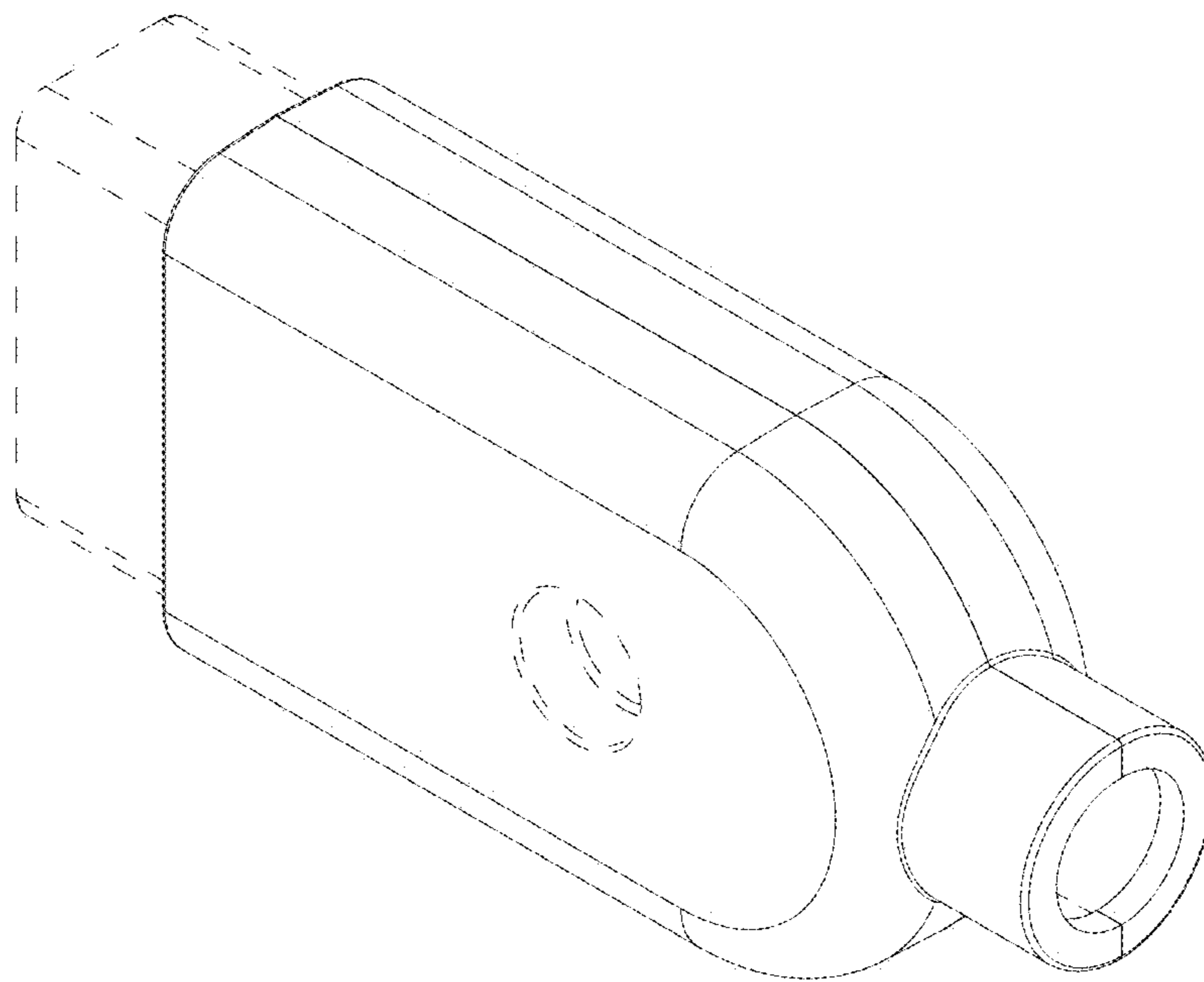


Fig. 2

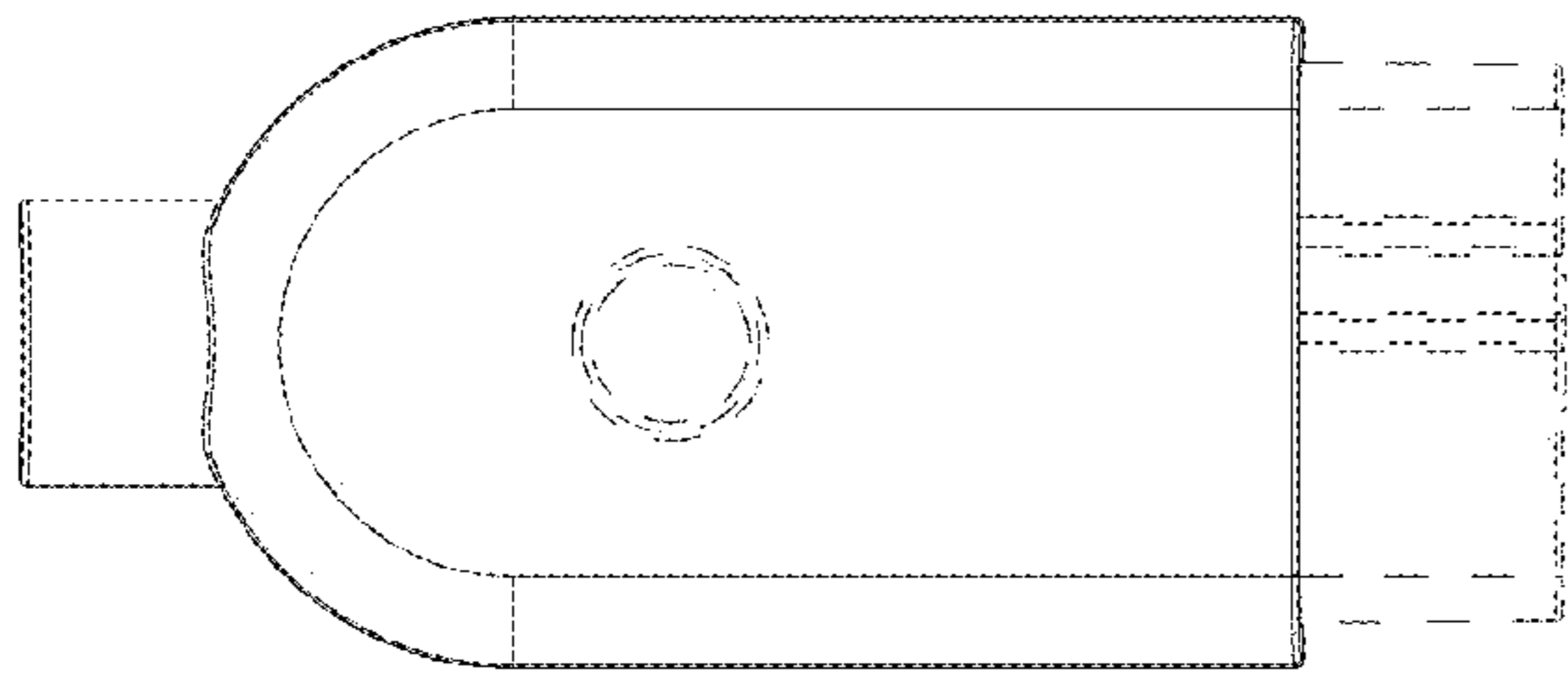


Fig. 3

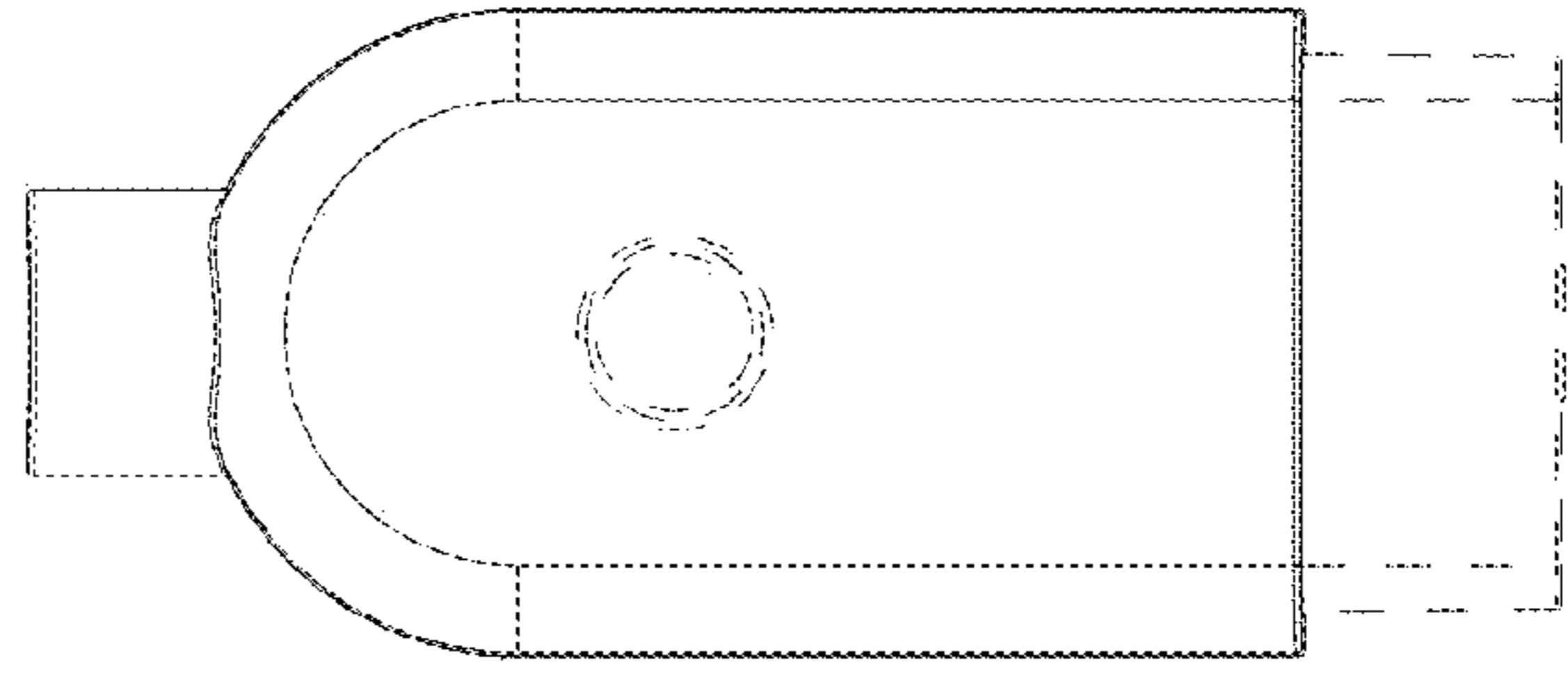


Fig. 4

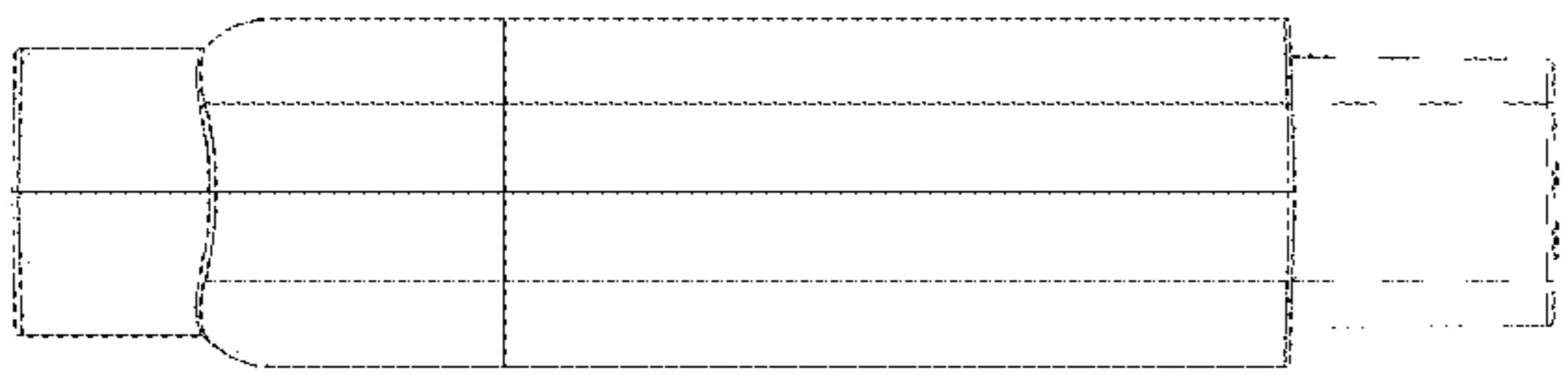


Fig. 5

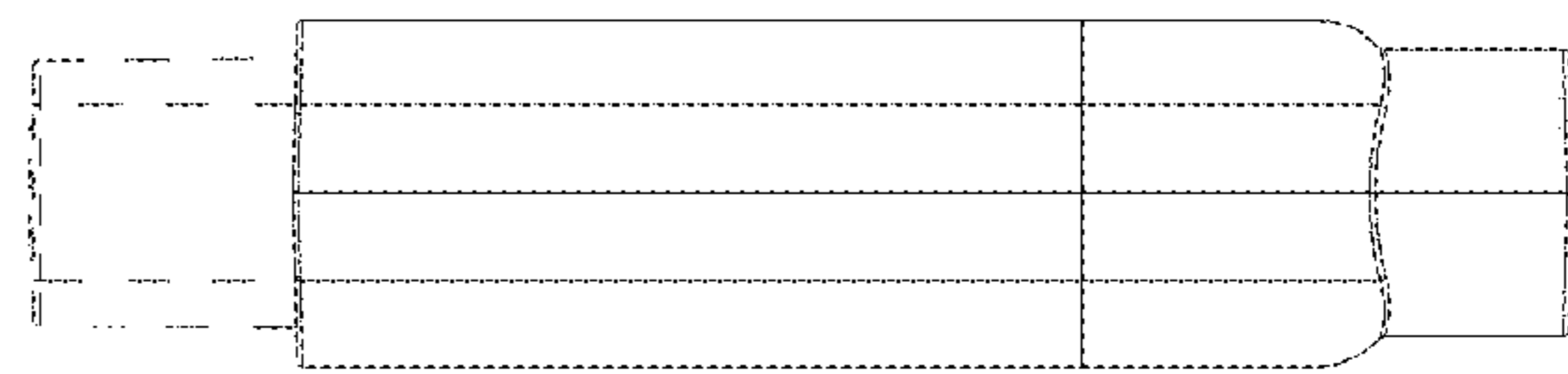


Fig. 6

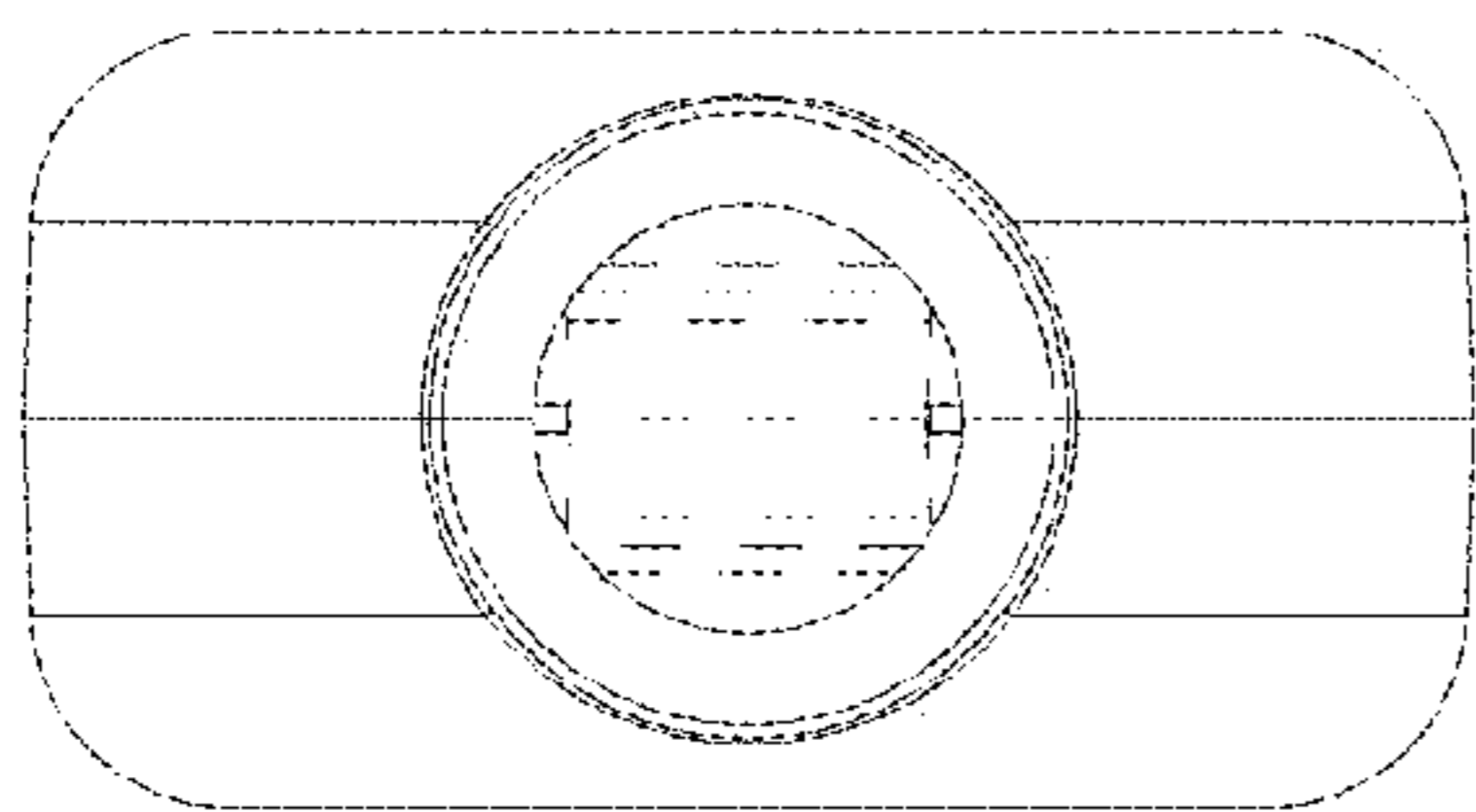


Fig. 7

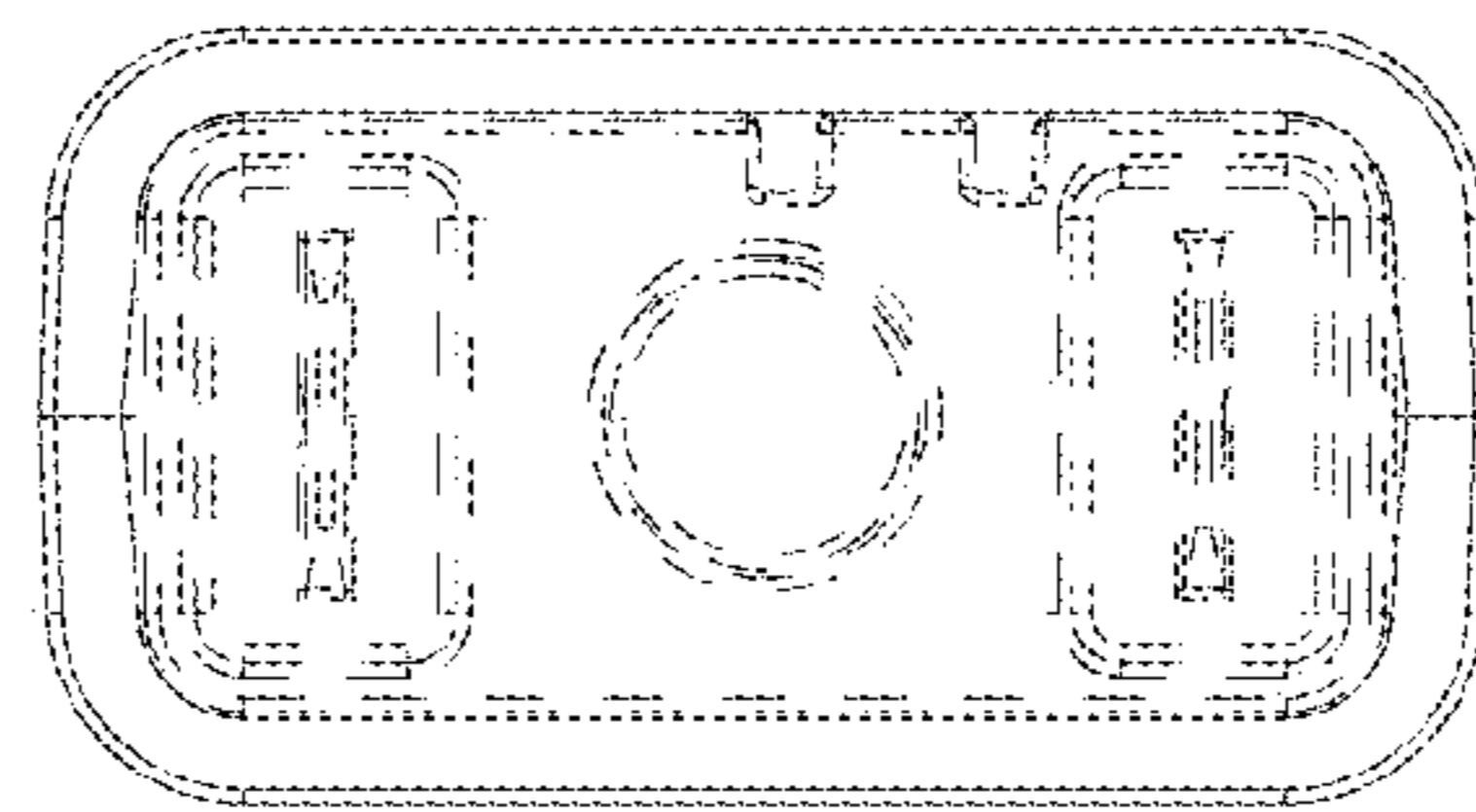


Fig. 8