



US00D890097S

(12) **United States Design Patent** (10) **Patent No.:** **US D890,097 S**
Yamashita et al. (45) **Date of Patent:** **** Jul. 14, 2020**

(54) **VENT PLUG FOR LEAD ACID BATTERY**

1,926,157 A * 9/1933 Lormor H01M 2/305
429/161
1,956,963 A * 5/1934 Salmen, Jr. F16B 23/0076
411/405
2,152,240 A * 3/1939 Cantoni H01M 2/1205
429/89

(71) Applicant: **GS Yuasa International Ltd.**,
Kyoto-shi, Kyoto (JP)

(72) Inventors: **Hiroto Yamashita**, Kyoto (JP); **Ryoji Abe**, Kyoto (JP)

(Continued)

(73) Assignee: **GS Yuasa International Ltd.**, Kyoto (JP)

FOREIGN PATENT DOCUMENTS

JP 03-118561 U1 12/1991
JP 05-092965 U 12/1993

(**) Term: **15 Years**

(Continued)

(21) Appl. No.: **29/625,739**

Primary Examiner — Derrick E Holland

Assistant Examiner — Jennifer O King

(22) Filed: **Nov. 13, 2017**

(74) *Attorney, Agent, or Firm* — Capitol City TechLaw

(30) **Foreign Application Priority Data**

(57) **CLAIM**

The ornamental design for a vent plug for lead acid battery, as shown and described.

May 18, 2017 (JP) 2017-010578

DESCRIPTION

(51) **LOC (12) Cl.** **13-02**

(52) **U.S. Cl.**
USPC **D13/119**; D13/103

(58) **Field of Classification Search**
USPC D13/103–107, 110, 119–121, 133, 147,
D13/156, 184
CPC H01R 13/641; H01M 2/1027; H01M
2/1022; H01M 2/1072; H01M 2/105;
H01M 2/1077; H01M 2/1205; H01M
2/1217

FIG. 1 is a top perspective view of a vent plug for lead acid battery showing our new design;
FIG. 2 is a top perspective view thereof in which the vent plug is rotated counterclockwise relative to the position shown in FIG. 1;
FIG. 3 is a top perspective view thereof in which the vent plug is rotated counterclockwise relative to the position shown in FIG. 2;
FIG. 4 is a bottom perspective view thereof;
FIG. 5 is a front view thereof;
FIG. 6 is a rear view thereof;
FIG. 7 is a top view thereof;
FIG. 8 is a bottom view thereof;
FIG. 9 is a right side view thereof;
FIG. 10 is left side view thereof; and,
FIG. 11 is an enlarged partial view in the area of arrow lines 11-11 of FIG. 5.

See application file for complete search history.

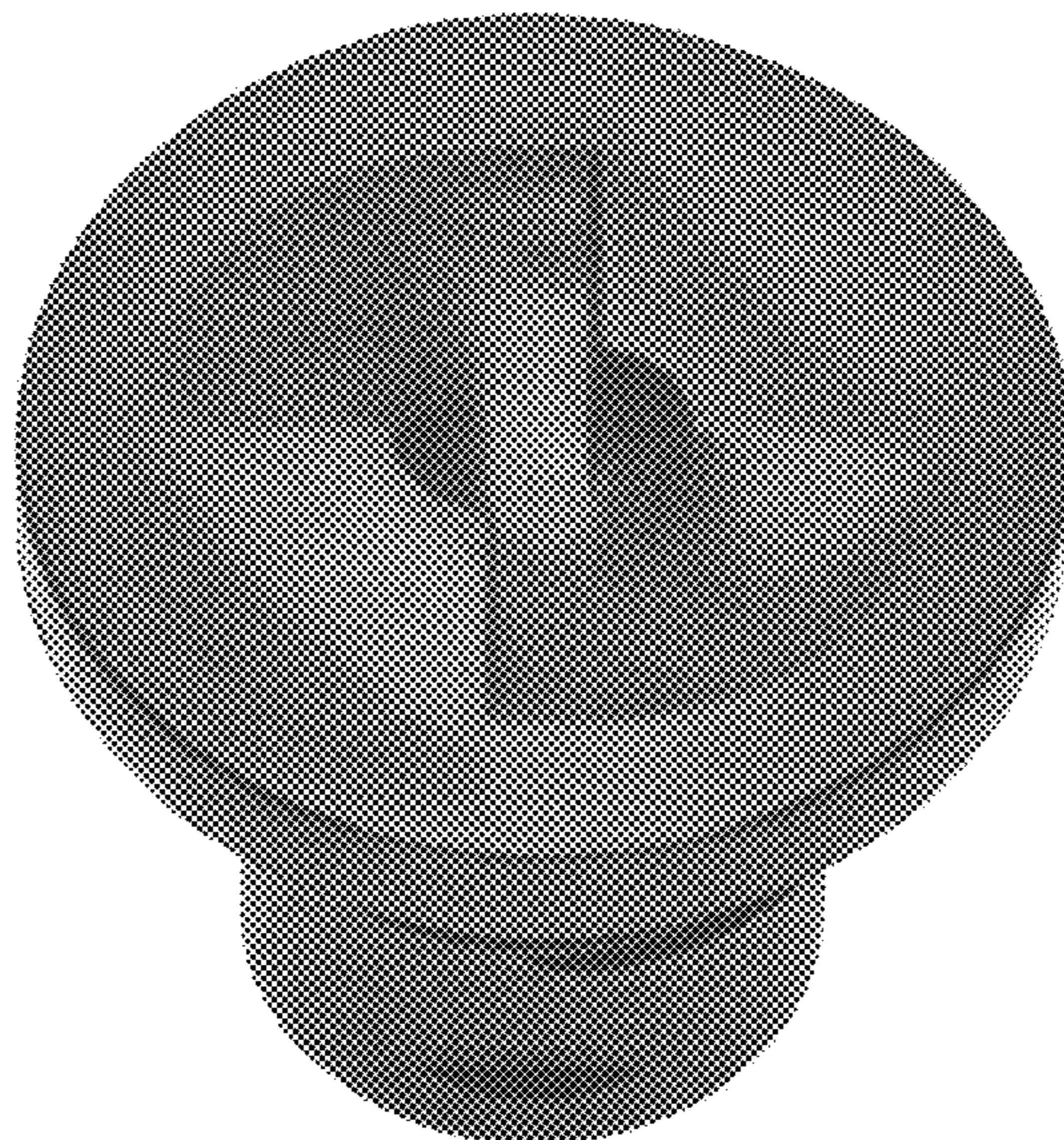
The broken lines illustrate portions of the vent plug for lead acid battery that form no part of the claimed design.

(56) **References Cited**

U.S. PATENT DOCUMENTS

1,416,327 A * 5/1922 Blair H01M 2/362
429/73
1,506,500 A * 8/1924 Ripamonti F16B 23/0076
411/403
1,894,034 A * 1/1933 Fieg F16B 23/0007
411/410

1 Claim, 11 Drawing Sheets



(56)

References Cited

U.S. PATENT DOCUMENTS

2,201,510 A * 5/1940 Waner H01M 2/1205
429/77
2,203,797 A * 6/1940 Pearson H01M 2/1205
429/54
2,221,542 A * 11/1940 Hopkins H01M 2/043
429/85
2,240,461 A * 4/1941 Riggs H01M 2/1205
429/76
2,242,599 A * 5/1941 Raney H01M 2/06
429/180
2,257,514 A * 9/1941 Raney H01M 2/1205
429/79
2,259,158 A * 10/1941 Flikkie H01M 2/1205
429/53
2,306,982 A * 12/1942 Rolph H01M 2/362
429/77
2,770,998 A * 11/1956 Schwartz F16B 23/0061
411/403
2,835,720 A * 5/1958 Buskirk H01M 2/1205
429/89
3,108,911 A * 10/1963 Miller H01M 2/1205
429/89
3,253,625 A * 5/1966 Oestereicher F16B 23/0076
81/436
3,313,198 A * 4/1967 Walton F16B 23/0076
411/402
3,331,274 A * 7/1967 Walton F16B 23/0076
411/403

3,664,879 A * 5/1972 Olsson H01M 2/1205
429/89
3,673,912 A * 7/1972 Herr F16B 23/0076
411/403
3,798,073 A * 3/1974 Karpal H01M 2/1205
429/54
4,125,051 A * 11/1978 Herkes F16B 35/065
411/402
4,171,662 A * 10/1979 Simone F16B 23/0076
411/408
4,328,290 A * 5/1982 Szymborski H01M 2/1205
429/54
4,429,599 A * 2/1984 La Sante, Sr. B25B 15/004
411/404
5,108,853 A * 4/1992 Feres H01M 2/1205
429/86
D413,254 S * 8/1999 Lee D8/387
6,677,075 B2 * 1/2004 Cramer H01M 2/1252
429/89
D543,446 S * 5/2007 DiNenna D8/387
D704,039 S * 5/2014 Bugeja D8/387
D741,158 S * 10/2015 Hasegawa D8/387
D803,778 S * 11/2017 Tononishi D13/103
2014/0329148 A1 * 11/2014 Izumi H01M 2/28
429/228

FOREIGN PATENT DOCUMENTS

JP 06-002558 U 1/1994
JP 2005-322533 A 11/2005

* cited by examiner

FIG. 1



FIG. 2



FIG.3

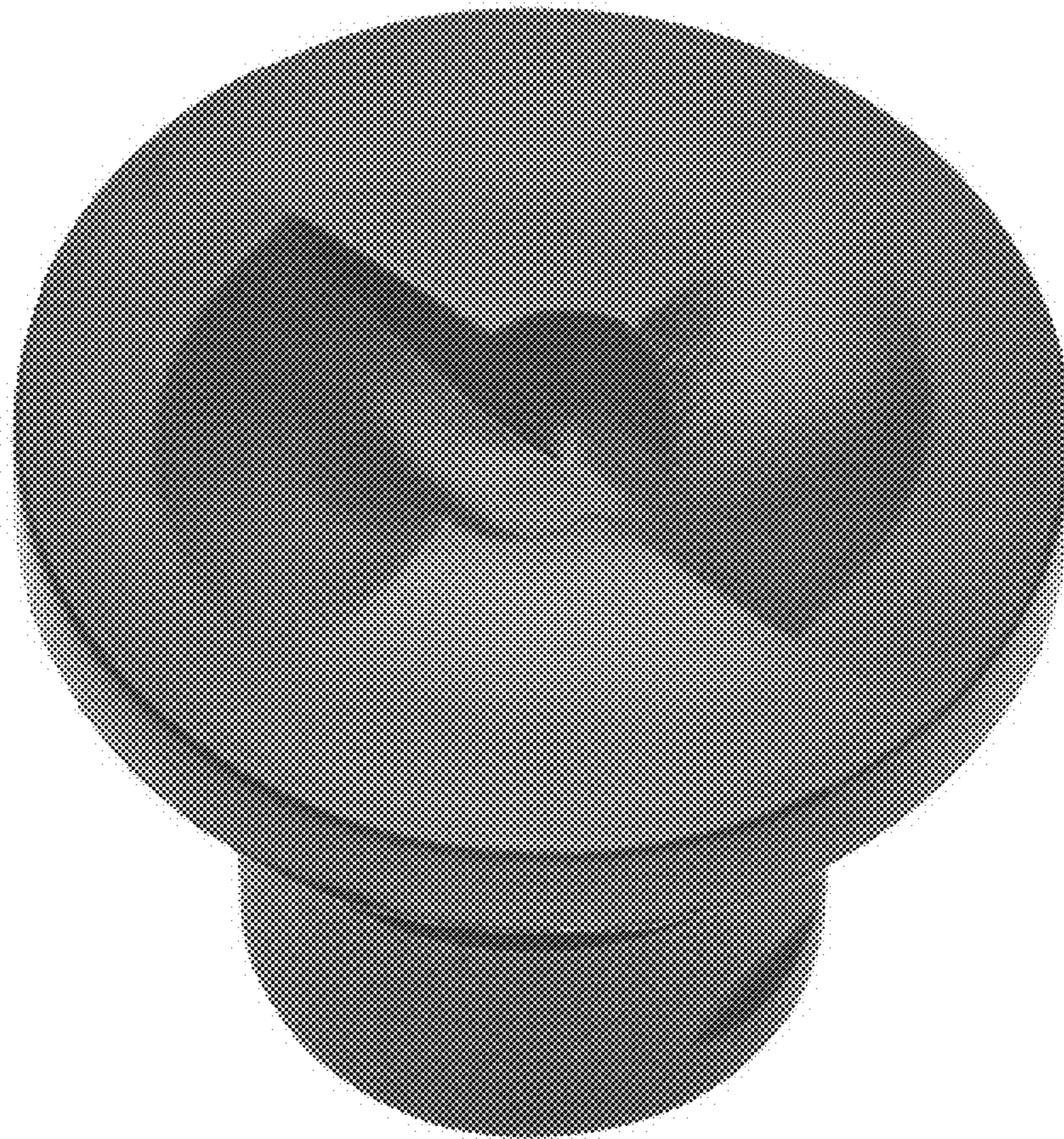


FIG.4

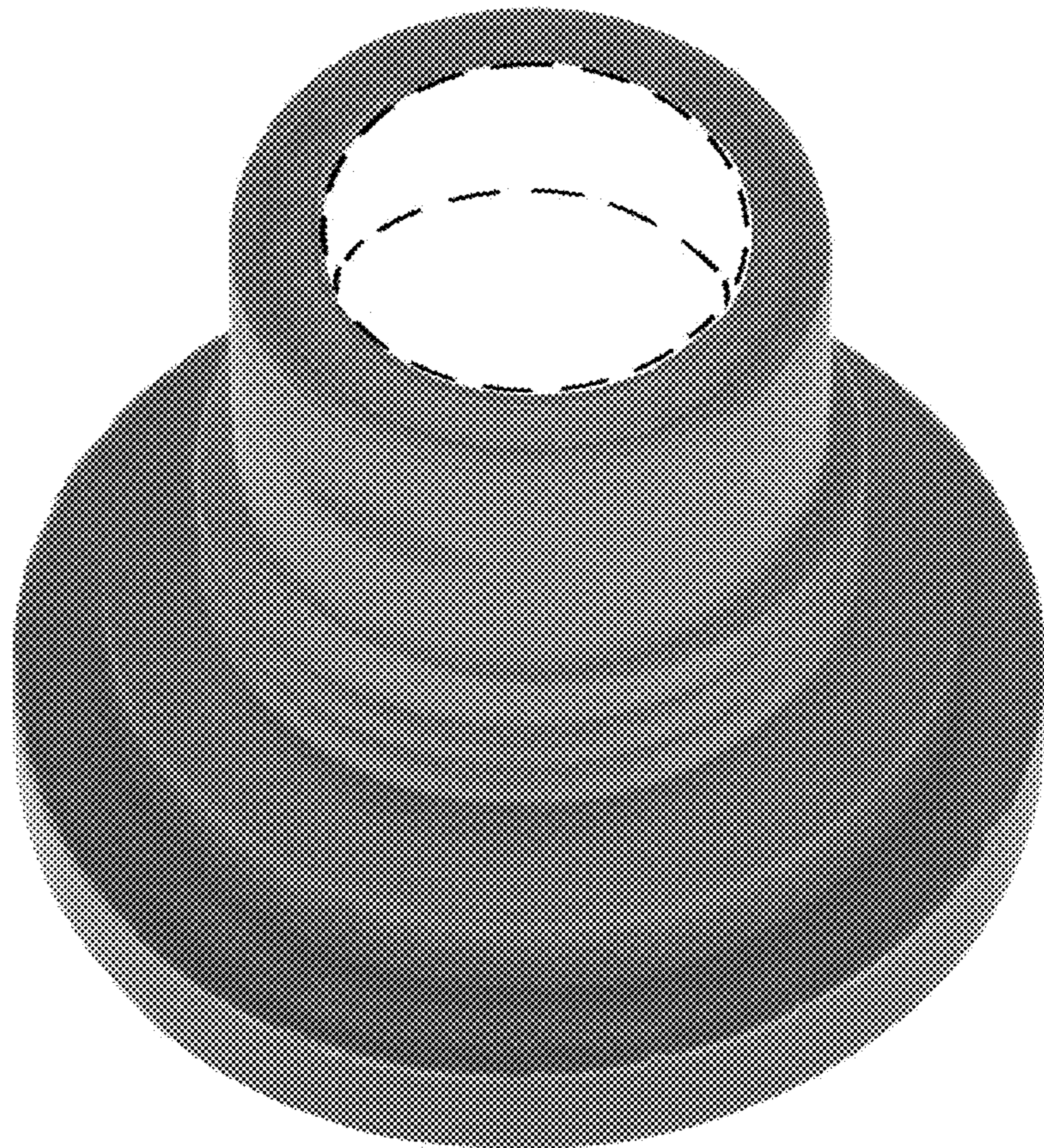


FIG. 5

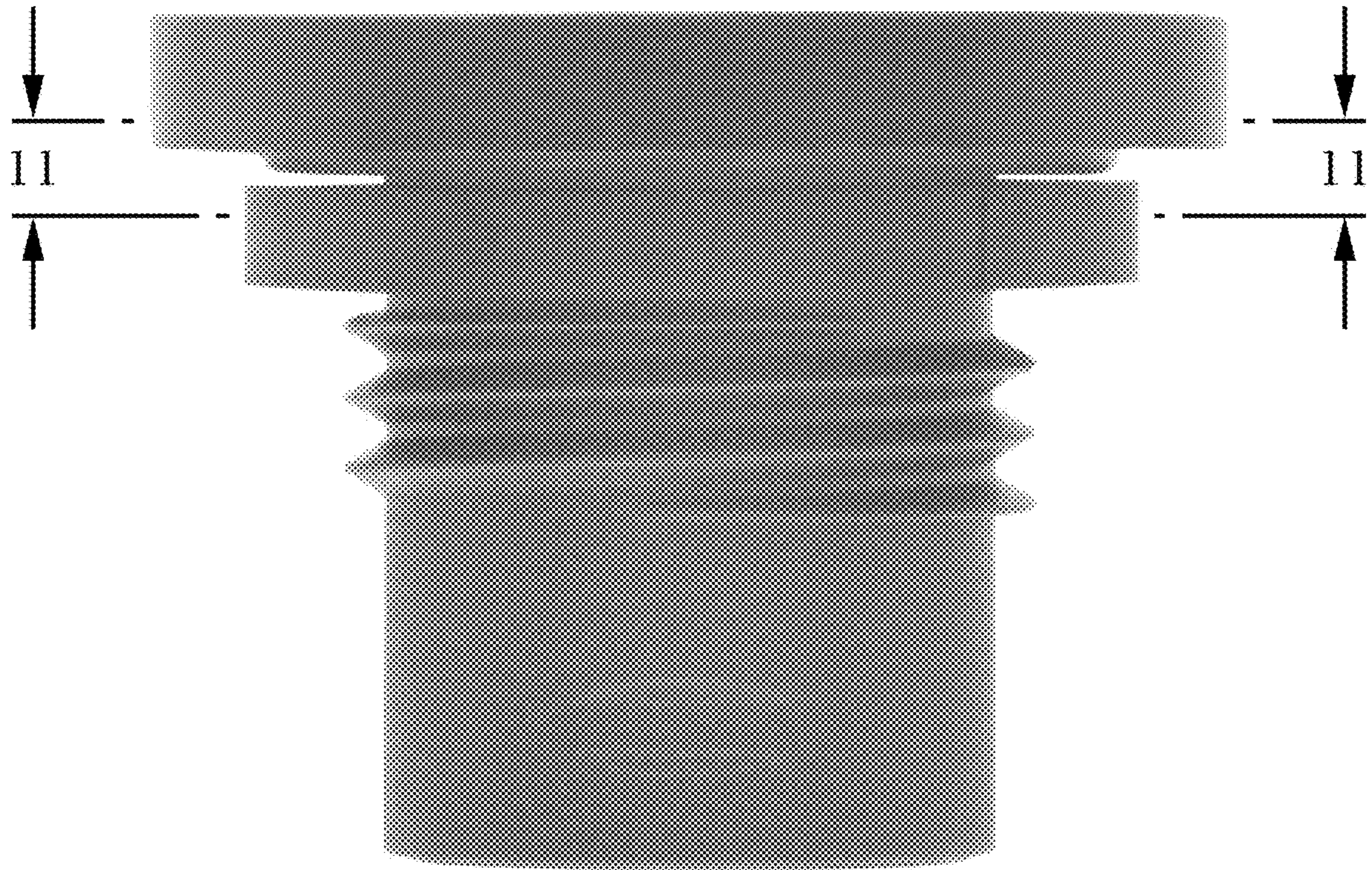


FIG.6

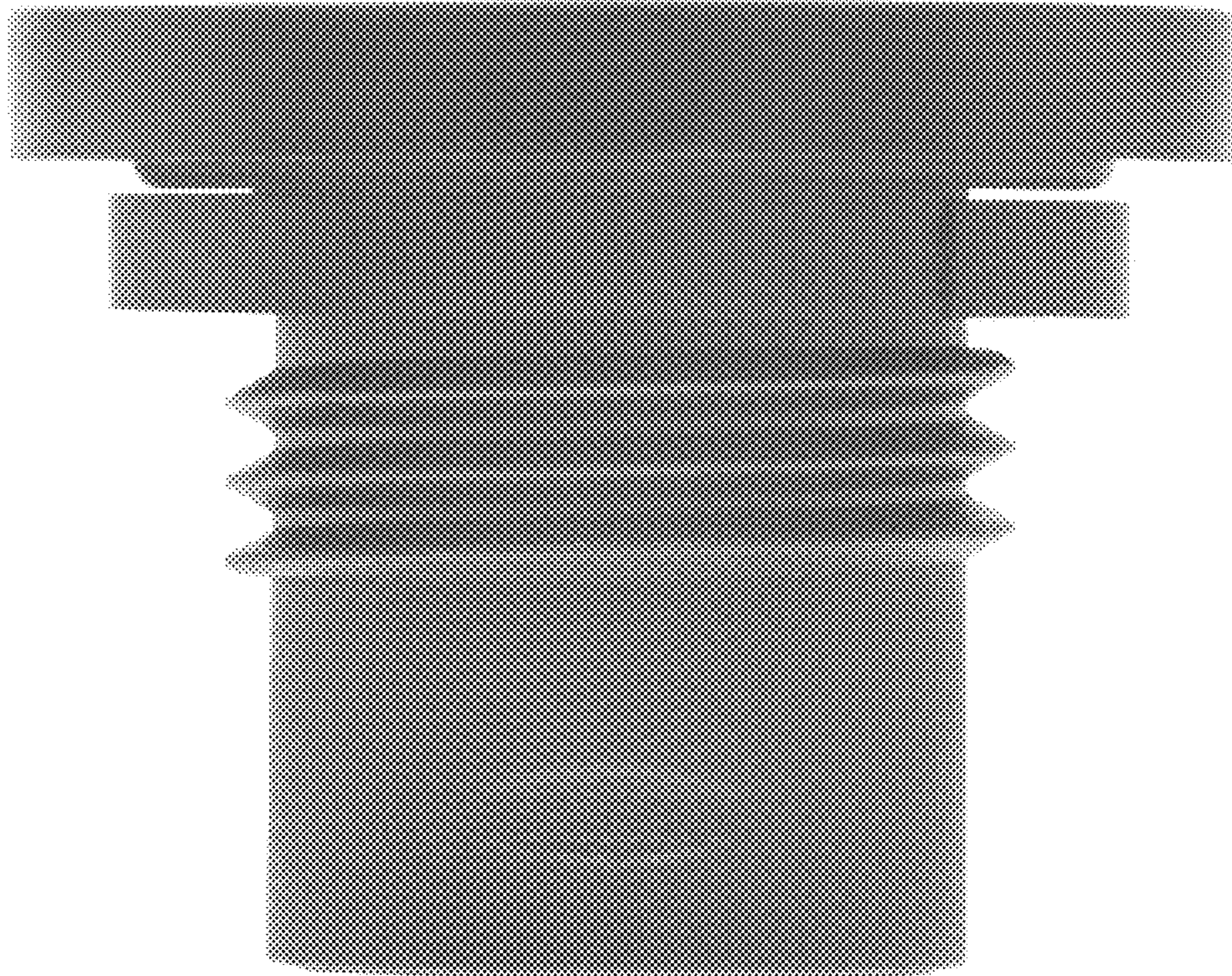


FIG. 7

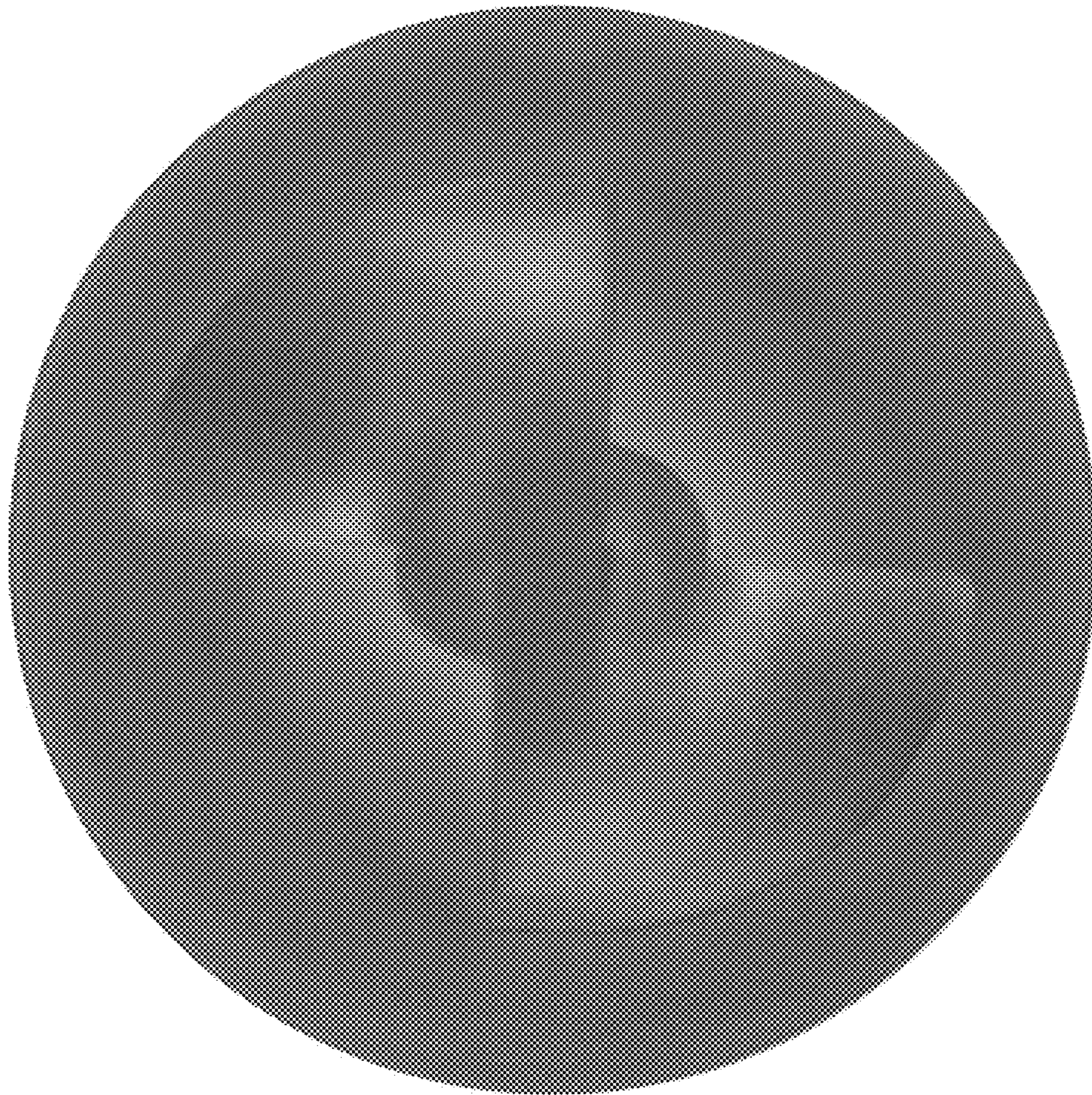


FIG. 8

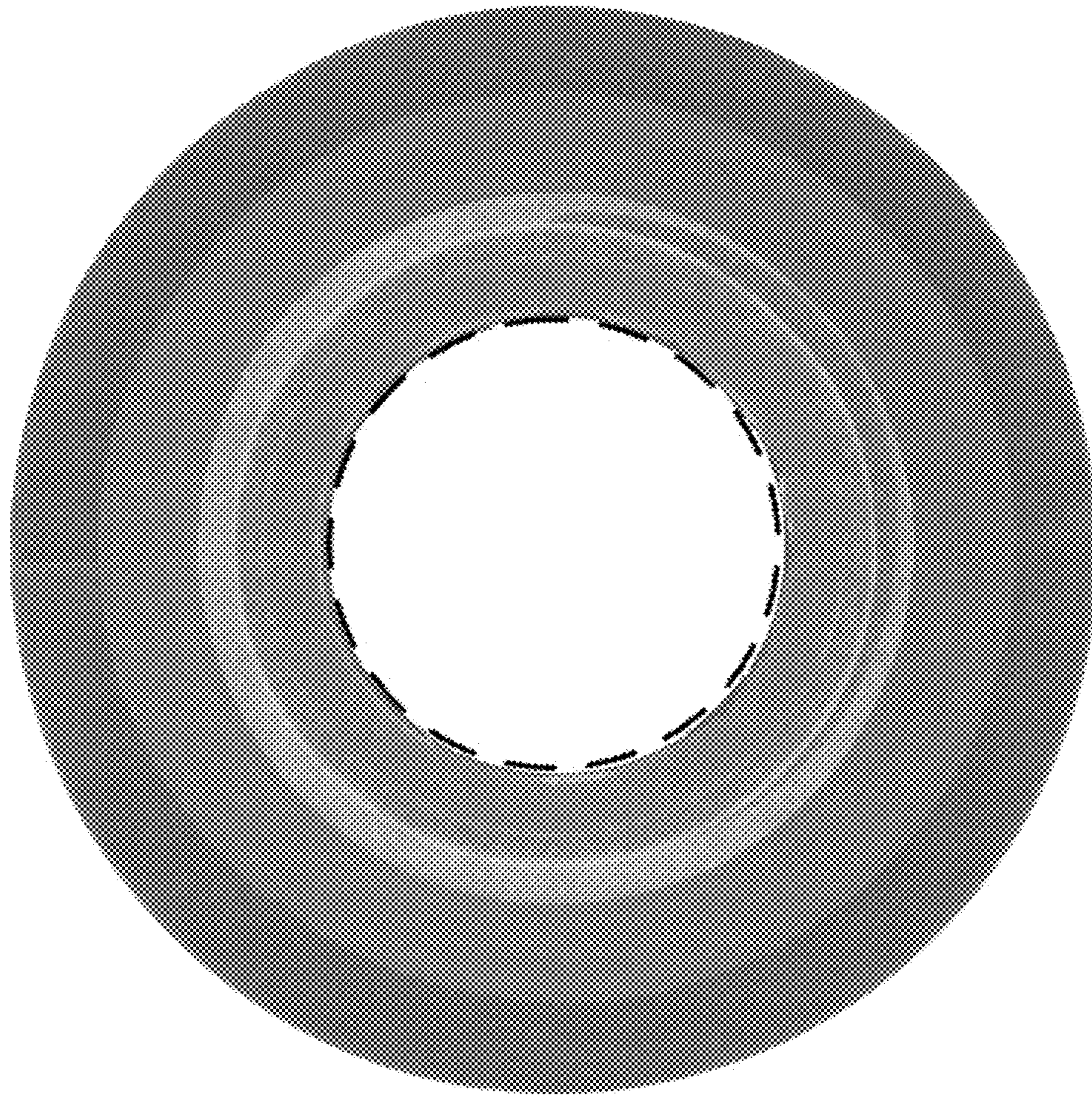


FIG. 9

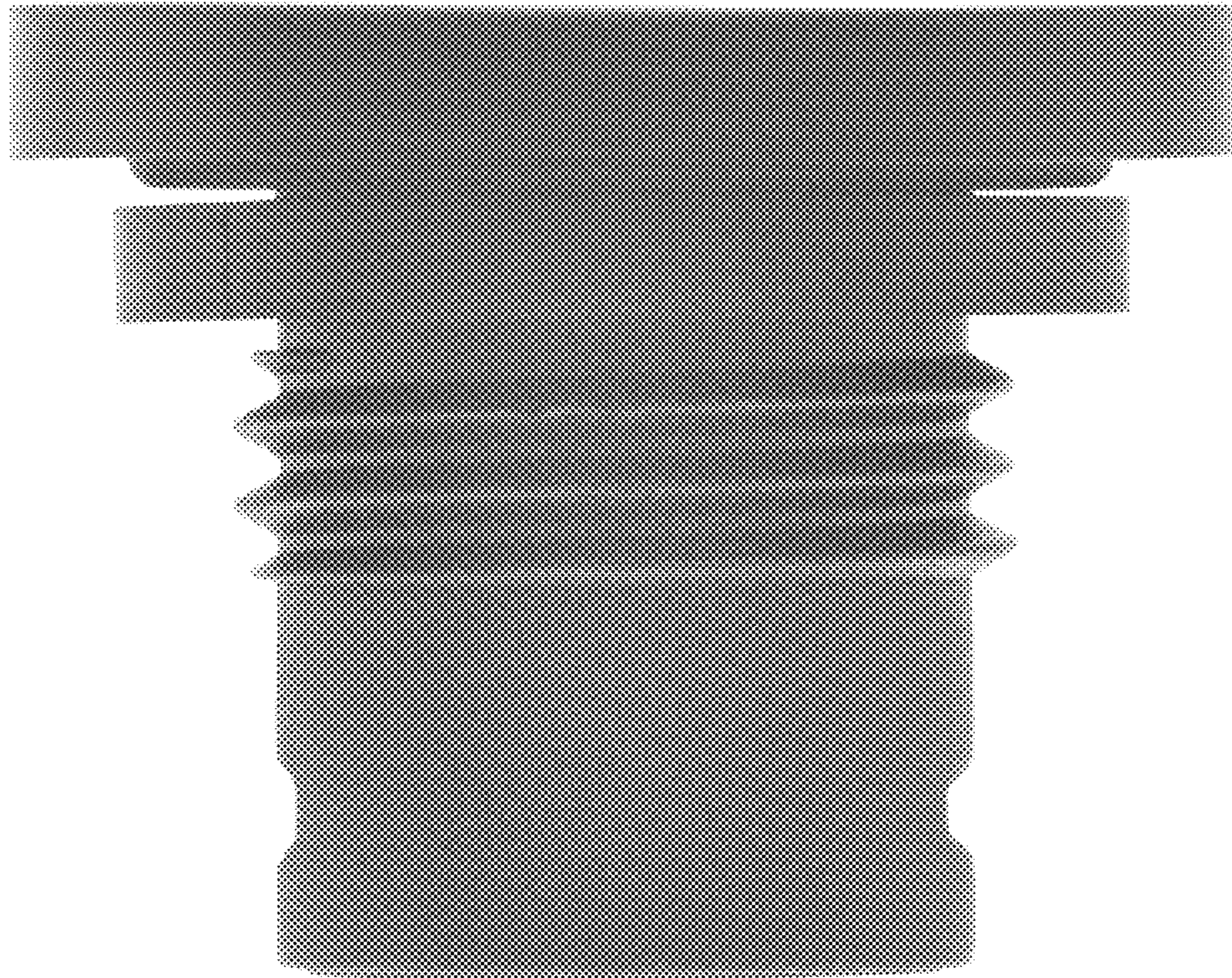


FIG. 10

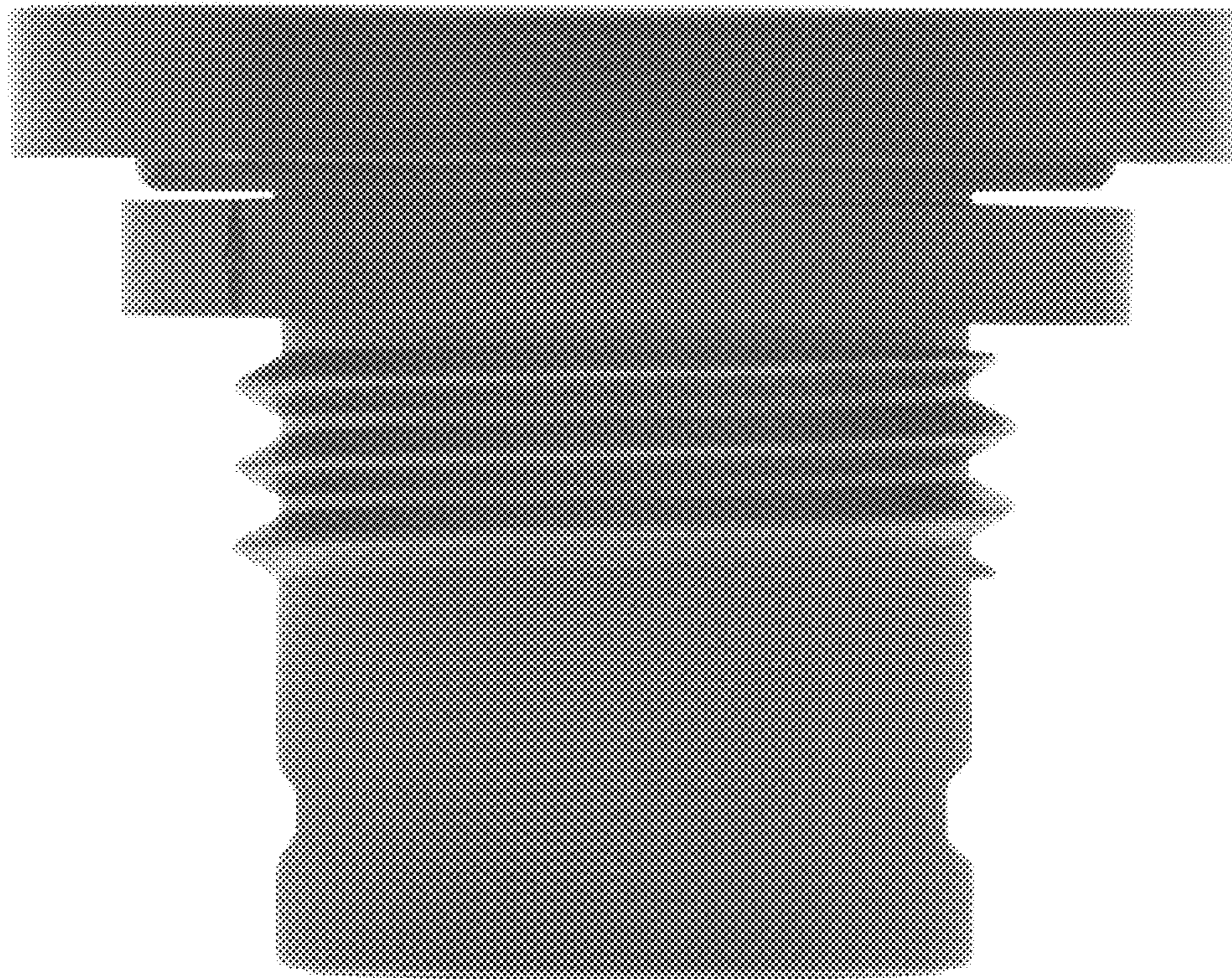


FIG. 11

