



US00D890093S

(12) **United States Design Patent** (10) **Patent No.:** **US D890,093 S**
He (45) **Date of Patent:** **** Jul. 14, 2020**

(54) **LED POWER**

(71) Applicant: **SHENZHEN ZHENHUAN ELECTRONICS CO., LTD.**, Shenzhen (CN)

(72) Inventor: **Xue-Yong He**, Shenzhen (CN)

(73) Assignee: **Shenzhen Zhenhuan Electronics Co., Ltd.**, Shenzhen, Guangdong (CN)

(**) Term: **15 Years**

(21) Appl. No.: **29/650,830**

(22) Filed: **Jun. 11, 2018**

(51) **LOC (12) Cl.** **13-02**

(52) **U.S. Cl.**
USPC **D13/110**

(58) **Field of Classification Search**
USPC D13/110, 108, 118, 122, 123, 162, 168, D13/169, 174, 177, 184, 199; D14/257, D14/432, 438; 174/16.3, 17 R, 17.08; 361/600, 601, 690, 694, 695, 679.01, 361/679.61, 704, 730; 363/141, 142
CPC H05K 5/00; H05K 5/02; H05K 5/0247; H05K 7/00; H05K 7/20; H05K 7/20136; H05K 7/20154; H05K 7/209; H02M 7/00; H02M 7/003; H02J 7/0042

See application file for complete search history.

(56) **References Cited**

U.S. PATENT DOCUMENTS

D493,769 S *	8/2004	Kessler	D13/102
D546,282 S *	7/2007	Wardenburg	D13/110
D660,252 S *	5/2012	Hargreaves	D13/156
D792,355 S *	7/2017	Lin	D13/162
D840,949 S *	2/2019	Lorentz	D13/158

* cited by examiner

Primary Examiner — Derrick E Holland

(74) *Attorney, Agent, or Firm* — Rosenberg, Klein & Lee

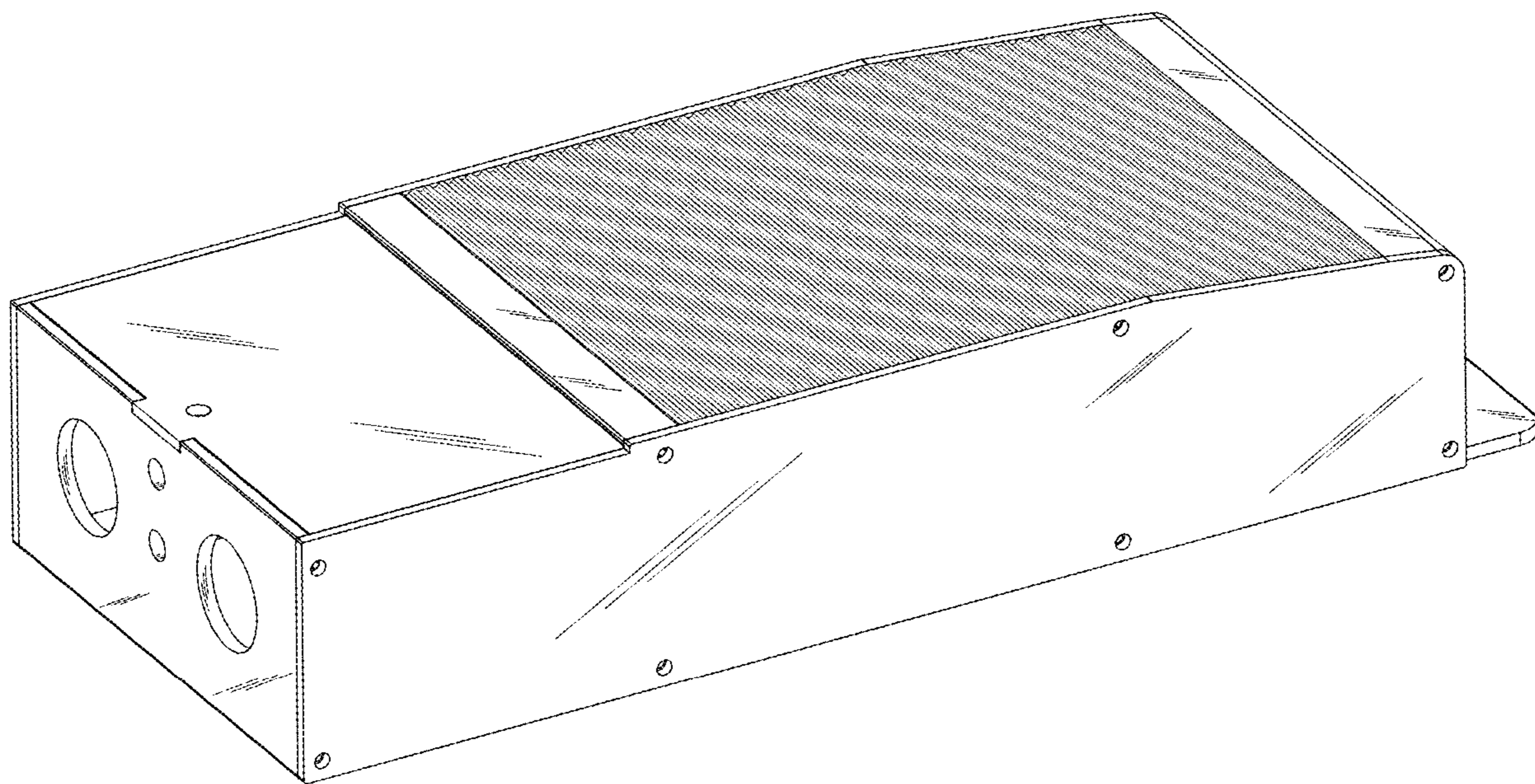
(57) **CLAIM**

The ornamental design for a LED power, as shown and described.

DESCRIPTION

FIG. 1 is a top perspective view of a LED power showing my new design;
FIG. 2 is a front elevational view thereof;
FIG. 3 is a rear elevational view thereof;
FIG. 4 is a left side elevational view thereof;
FIG. 5 is a right side elevational view thereof;
FIG. 6 is a top plan view thereof; and,
FIG. 7 is a bottom plan view thereof.
The shaded lines in the figures show contour and not surface ornamentation.

1 Claim, 7 Drawing Sheets



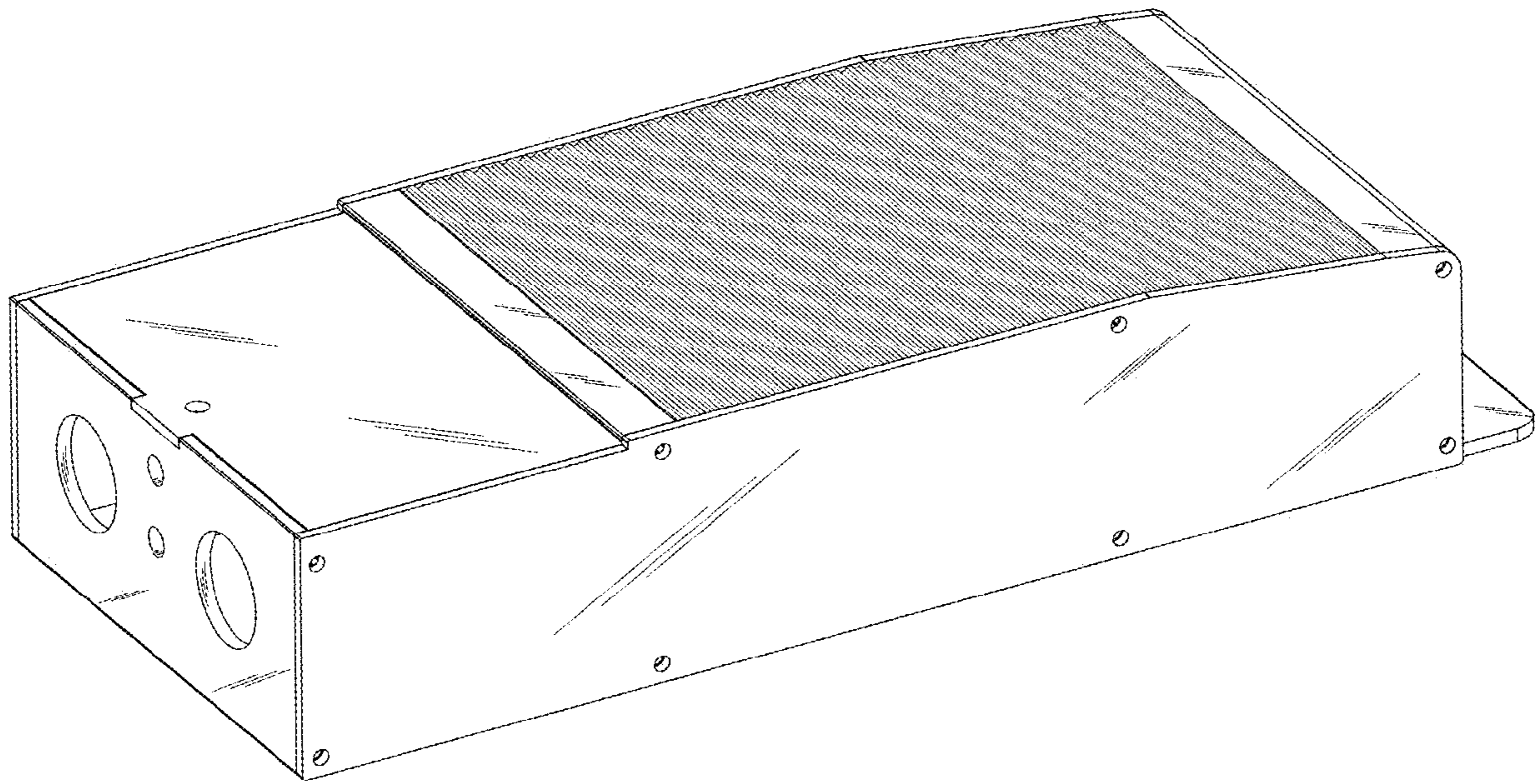


FIG.1

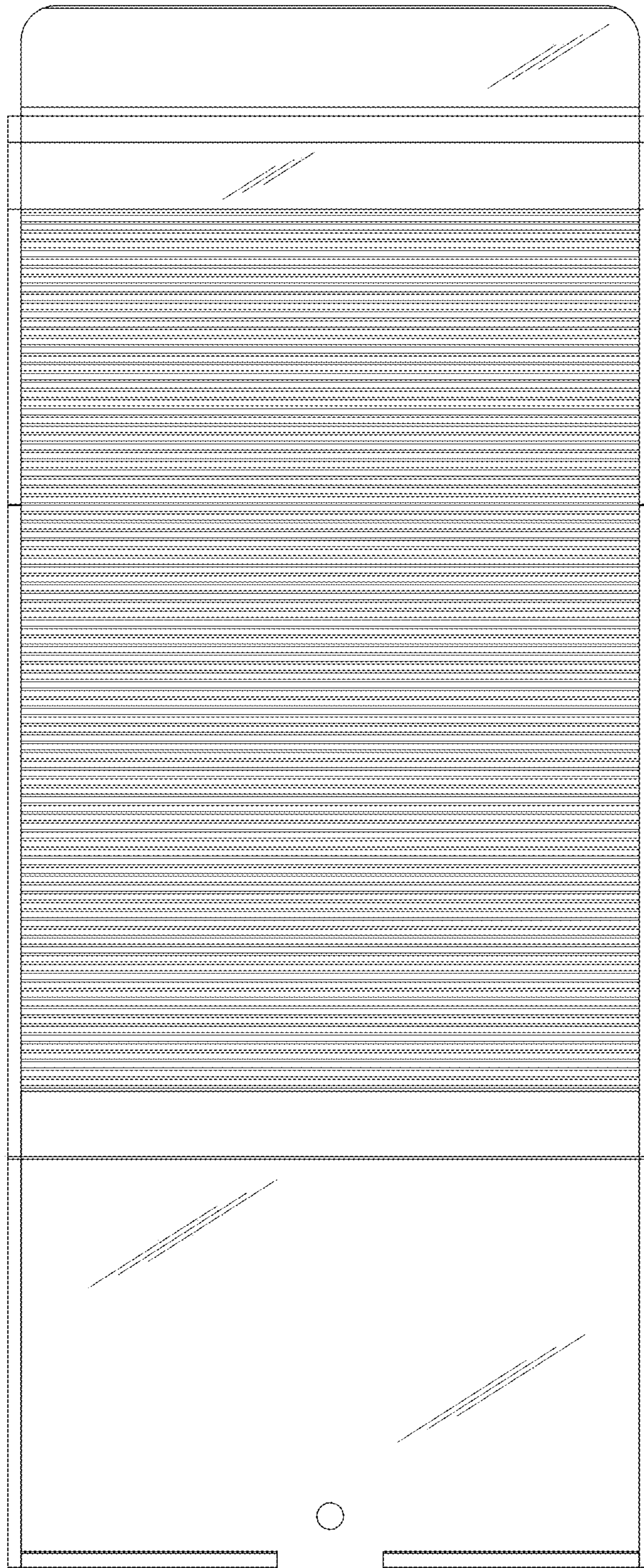


FIG.2

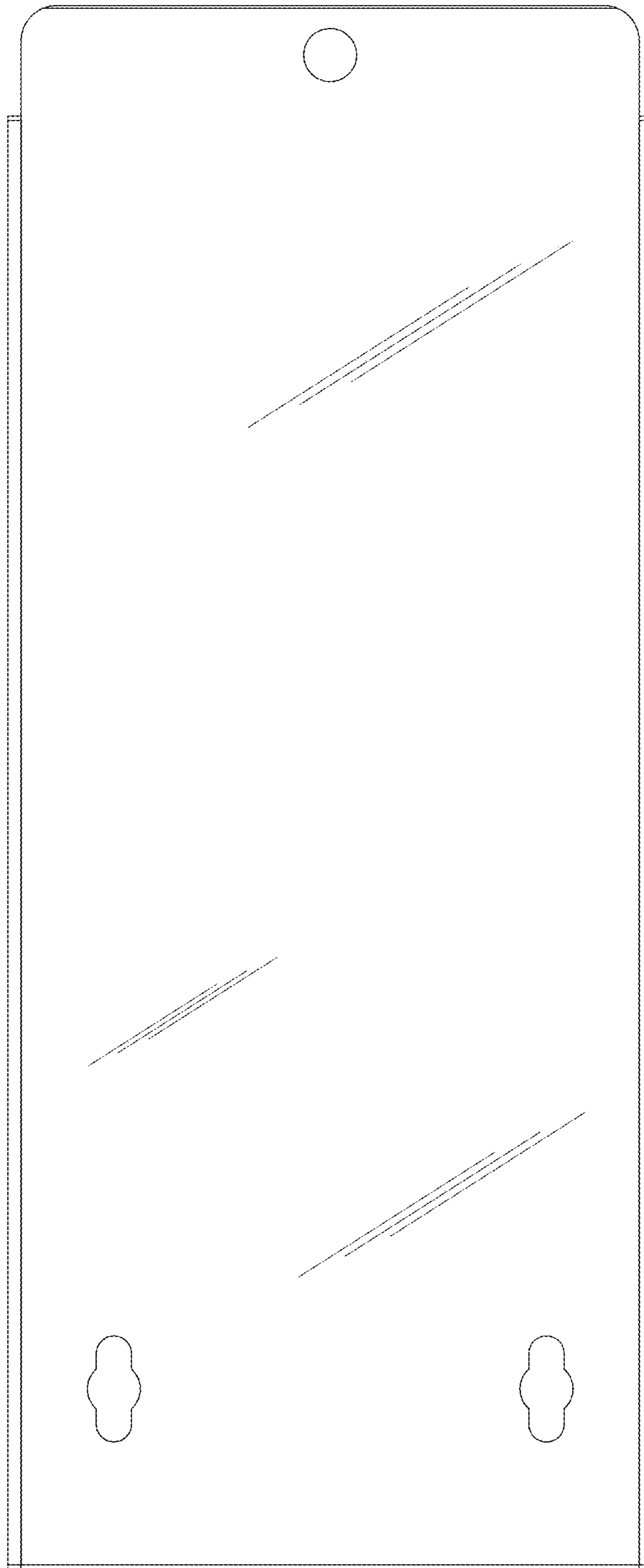


FIG.3

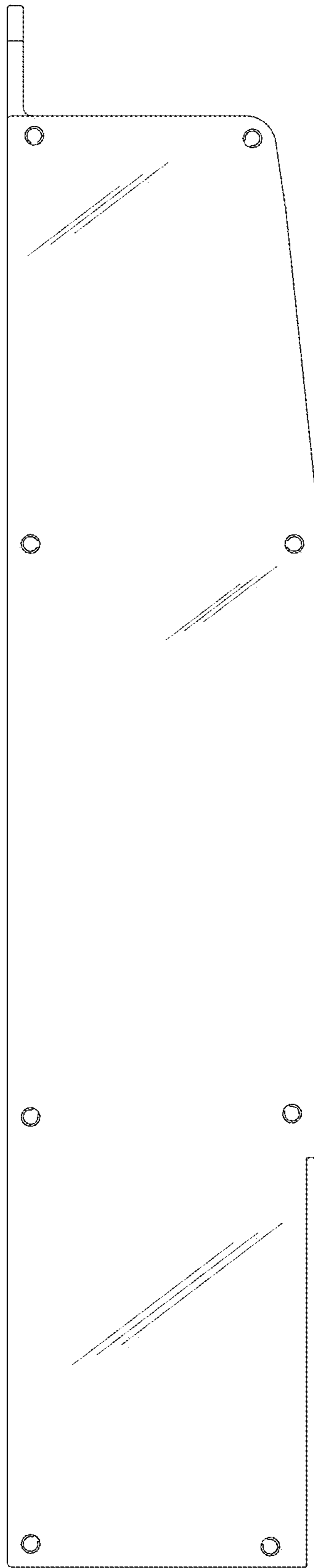


FIG.4

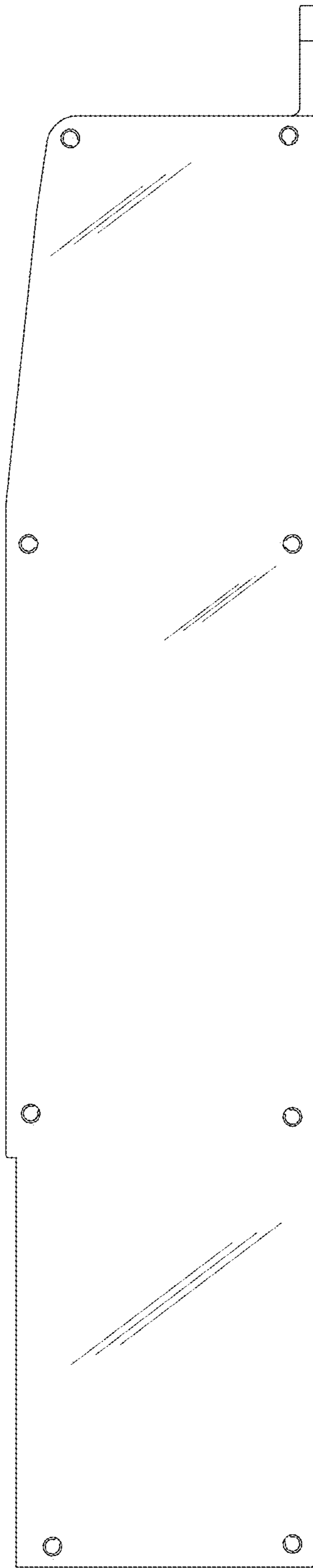


FIG.5

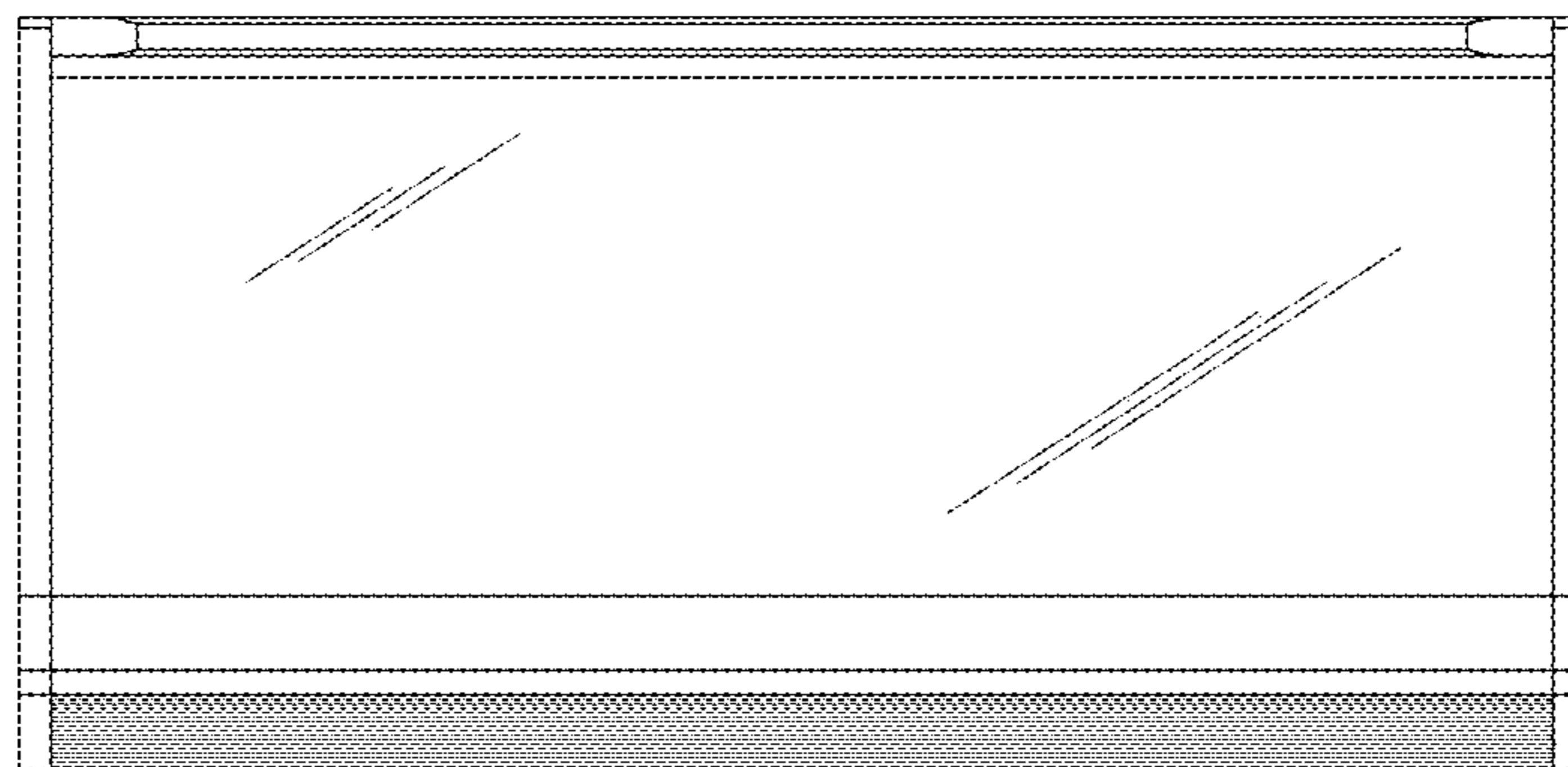


FIG.6

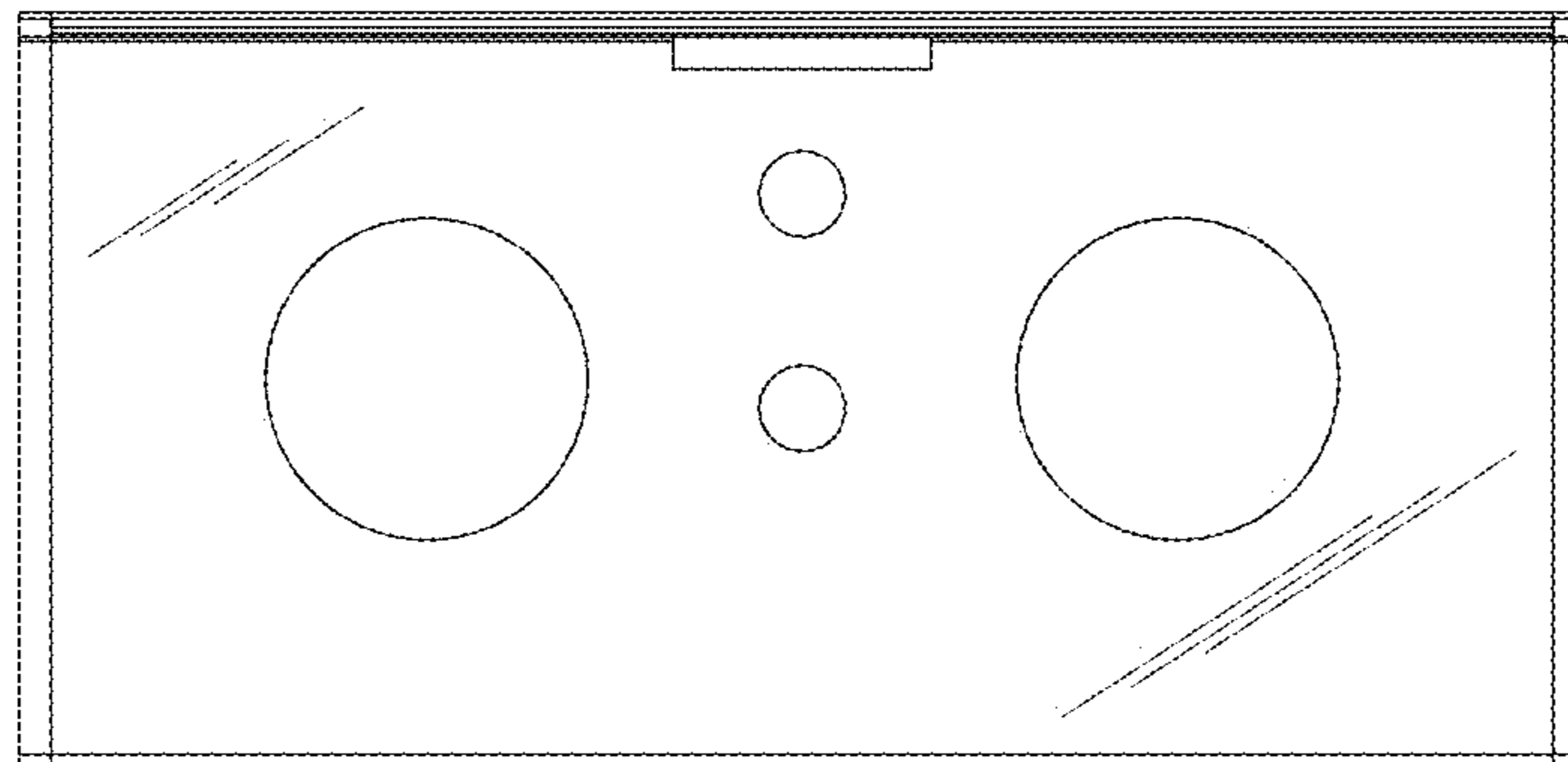


FIG.7