



US00D890092S

(12) **United States Design Patent**
Jiang

(10) **Patent No.:** **US D890,092 S**

(45) **Date of Patent:** **** Jul. 14, 2020**

(54) **WIRELESS POWERBANK**

(71) Applicant: **Hongjun Jiang**, Shenzhen (CN)

(72) Inventor: **Hongjun Jiang**, Shenzhen (CN)

(**) Term: **15 Years**

(21) Appl. No.: **29/712,777**

(22) Filed: **Nov. 12, 2019**

(30) **Foreign Application Priority Data**

Jul. 19, 2019 (CN) 2019 3 0387679

(51) **LOC (12) Cl.** **13-02**

(52) **U.S. Cl.**
USPC **D13/108; D13/103**

(58) **Field of Classification Search**
USPC D13/103, 107, 108, 102, 104, 105, 106,
D13/110, 118, 199, 184
CPC Y02E 60/12; Y02E 60/122; Y02E 60/124;
Y02E 60/50; H01M 2/02; H01M 2/022;
H01M 2/0202; H01M 2/0207; H01M
2/0212; H01M 2/1061; H01M 2/1022;
H01M 2/1055; H01M 2/1066; H01M
2/105; H01M 2/204; H01M 10/4257;
H01M 10/0436; H01M 10/48

See application file for complete search history.

(56) **References Cited**

U.S. PATENT DOCUMENTS

D762,168 S * 7/2016 Sandoval D13/107
D772,813 S 11/2016 Wahl
D774,454 S 12/2016 Kim et al.

D777,662 S * 1/2017 Price D13/103
D793,958 S * 8/2017 Rautiainen D13/108
D816,029 S * 4/2018 Dai D13/108
D845,897 S * 4/2019 Kim D13/108
D858,436 S 9/2019 Chen
D869,390 S * 12/2019 Li D13/108
D871,329 S * 12/2019 Chen D13/108
D872,690 S * 1/2020 Williams D13/108
D876,356 S * 2/2020 Tanaka D13/123

* cited by examiner

Primary Examiner — Rosemary K Tarcza

Assistant Examiner — Christy M Nemeth

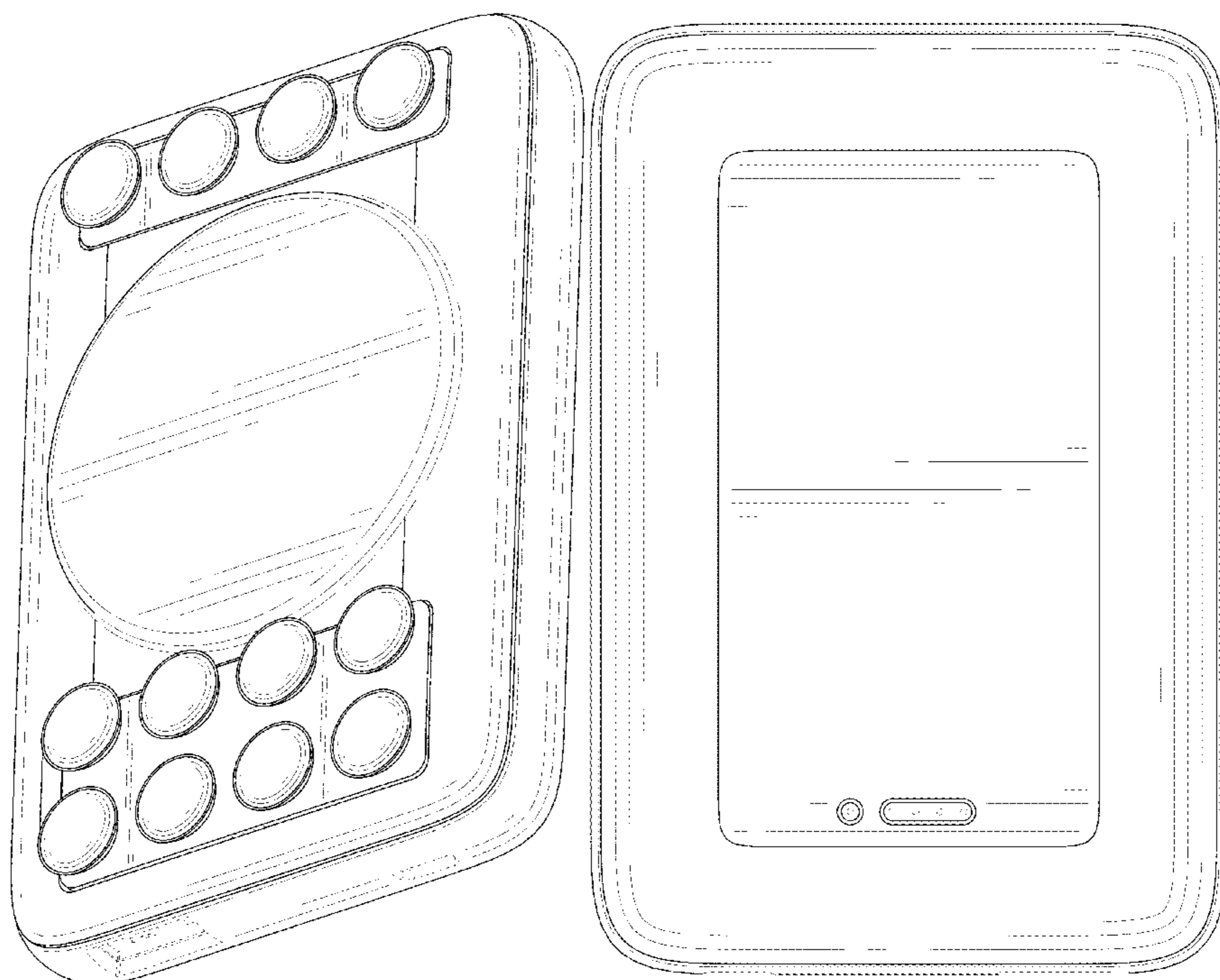
(57) **CLAIM**

The ornamental design for a wireless powerbank, as shown and described.

DESCRIPTION

FIG. 1 is a perspective view of a wireless powerbank showing my new design;
FIG. 2 is another perspective view thereof;
FIG. 3 is a front elevational view thereof;
FIG. 4 is a rear elevational view thereof;
FIG. 5 is a left side elevational view thereof;
FIG. 6 is a right side elevational view thereof;
FIG. 7 is a top plan view thereof;
FIG. 8 is a bottom plan view thereof; and,
FIG. 9 is an enlarged view of portion 9 shown in FIG. 2. The dash-dash broken lines in the drawings are for the purpose of illustrating portions of the wireless powerbank that form no part of the claimed design. The dash-dot broken lines in FIGS. 2 and 9 are for the purpose of illustrating the boundaries of the enlarged portion shown in FIG. 9, and form no part of the claimed design.

1 Claim, 9 Drawing Sheets



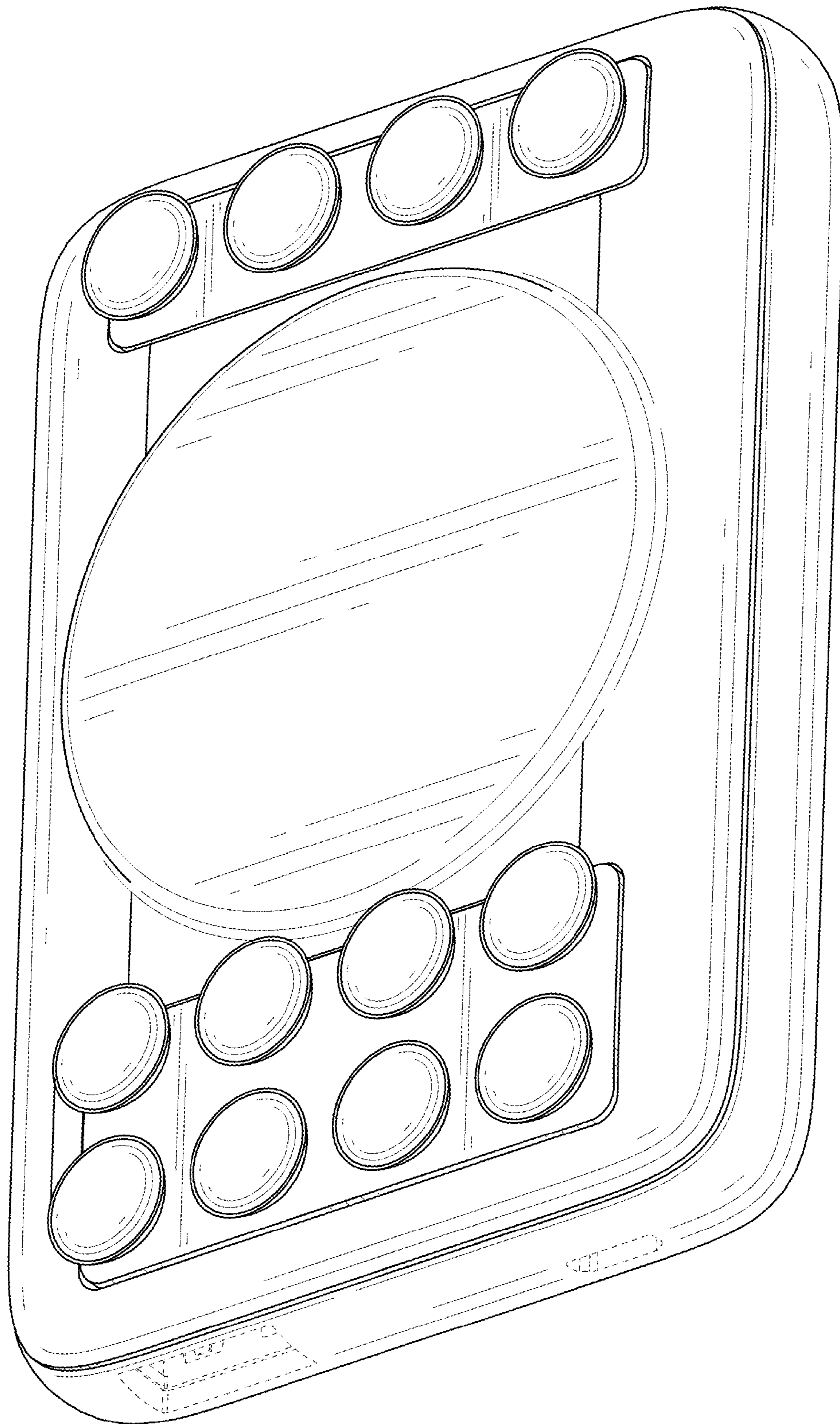


FIG. 1

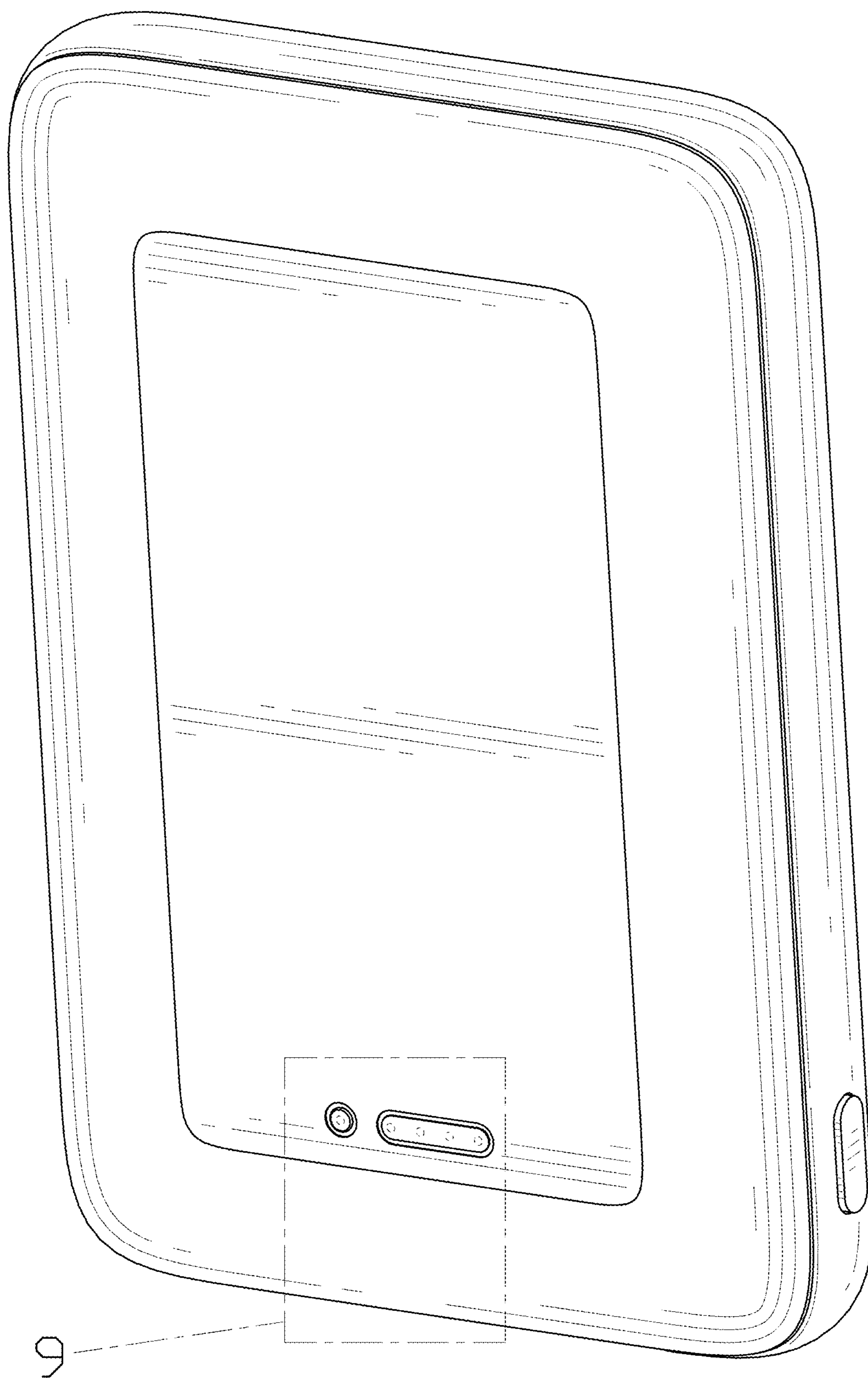


FIG. 2

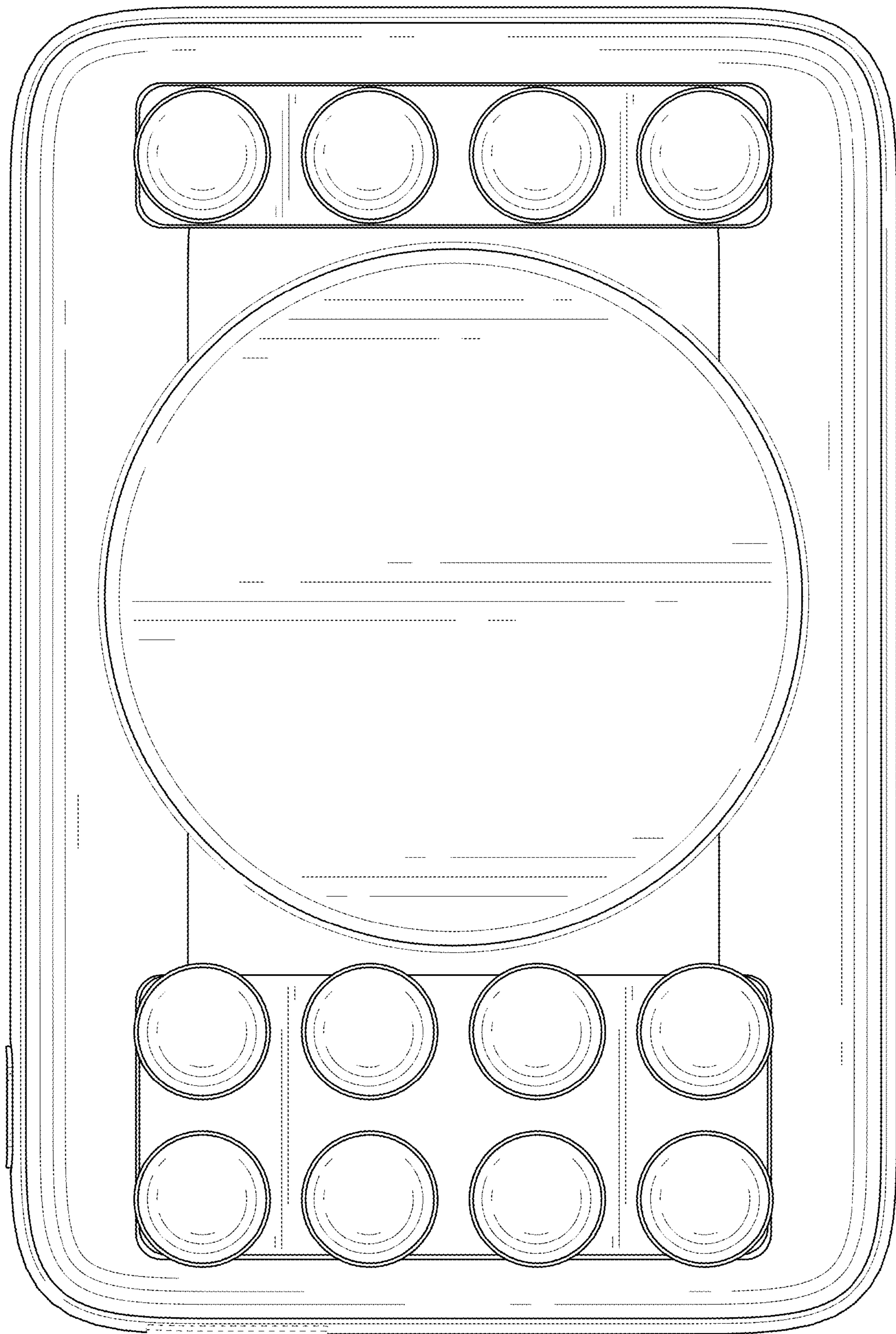


FIG. 3

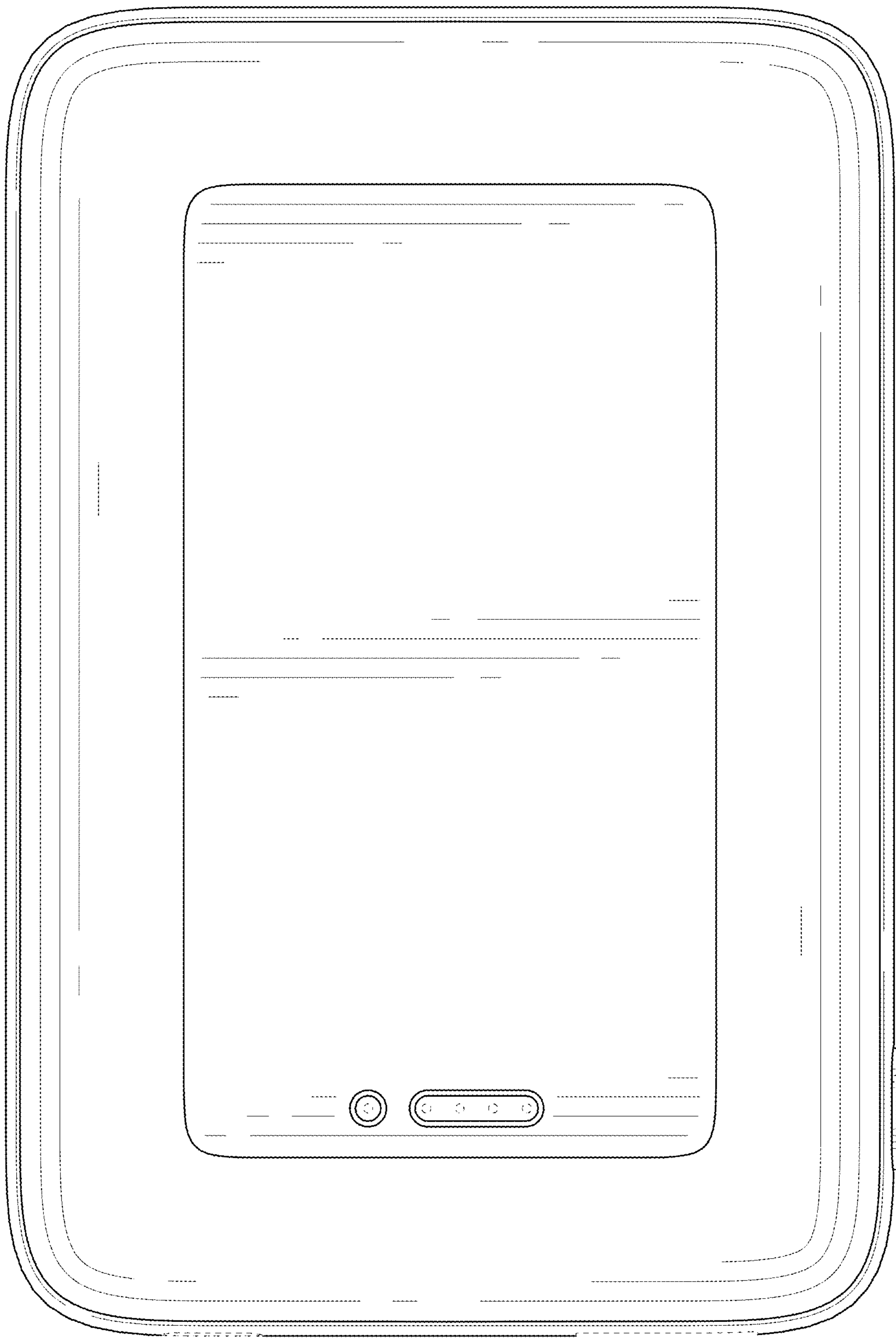


FIG. 4

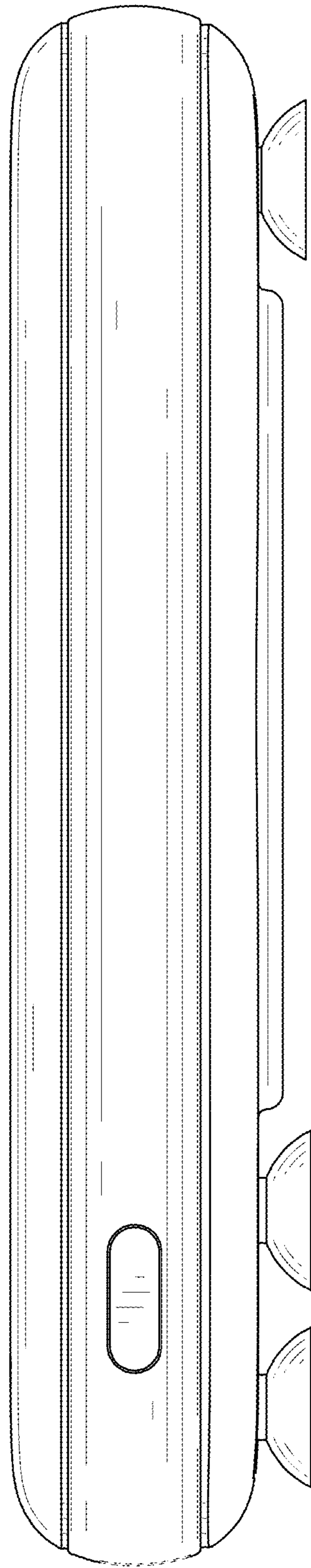


FIG. 5

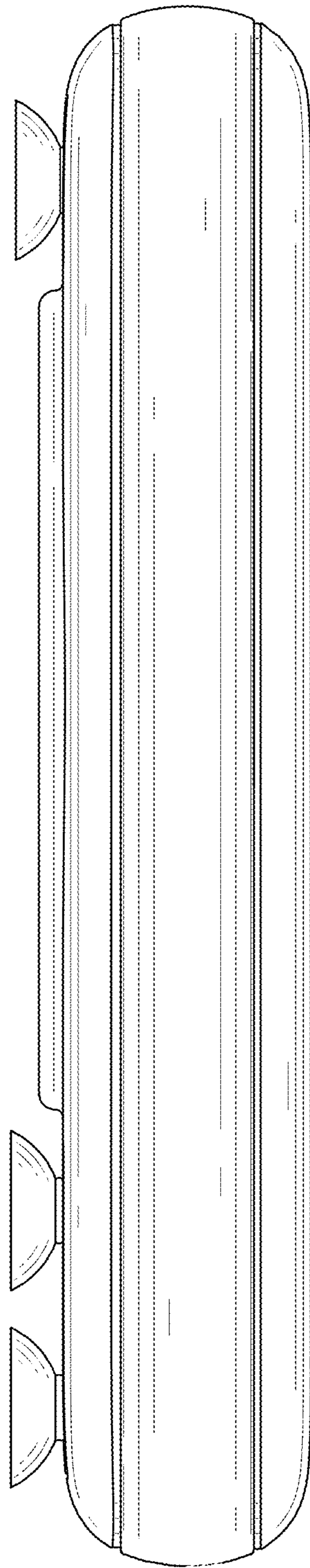


FIG. 6

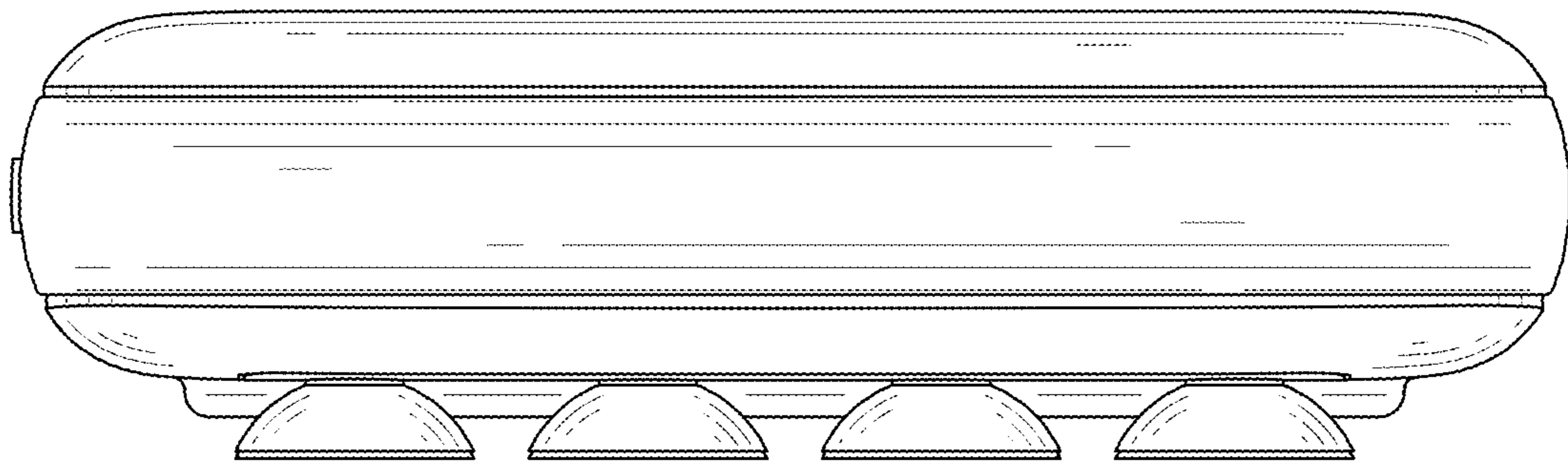


FIG. 7

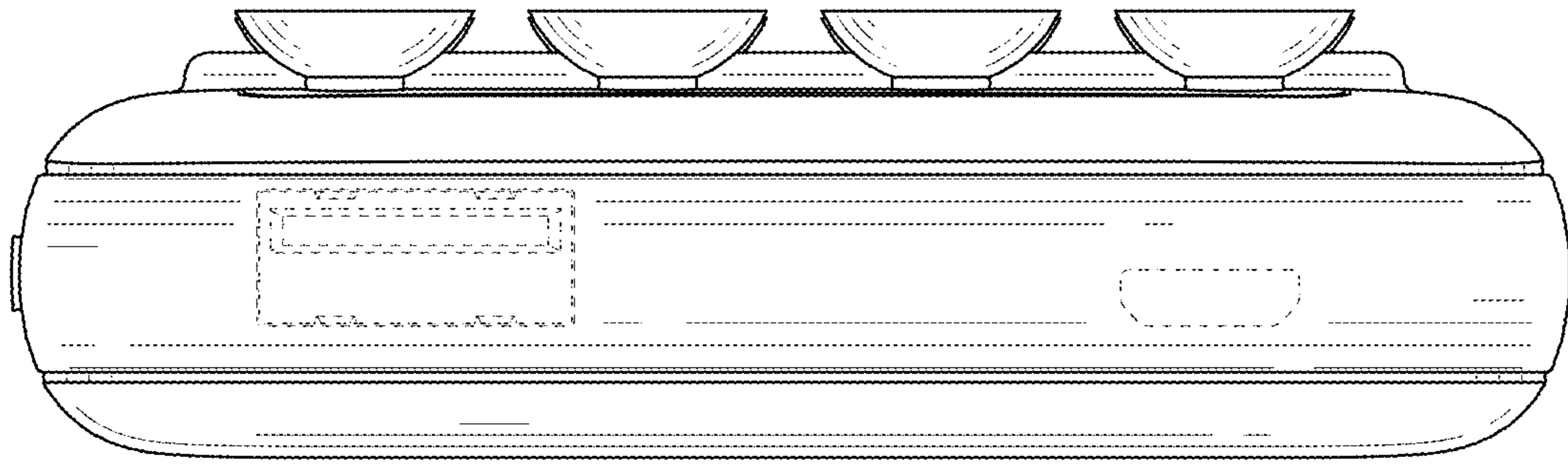


FIG. 8

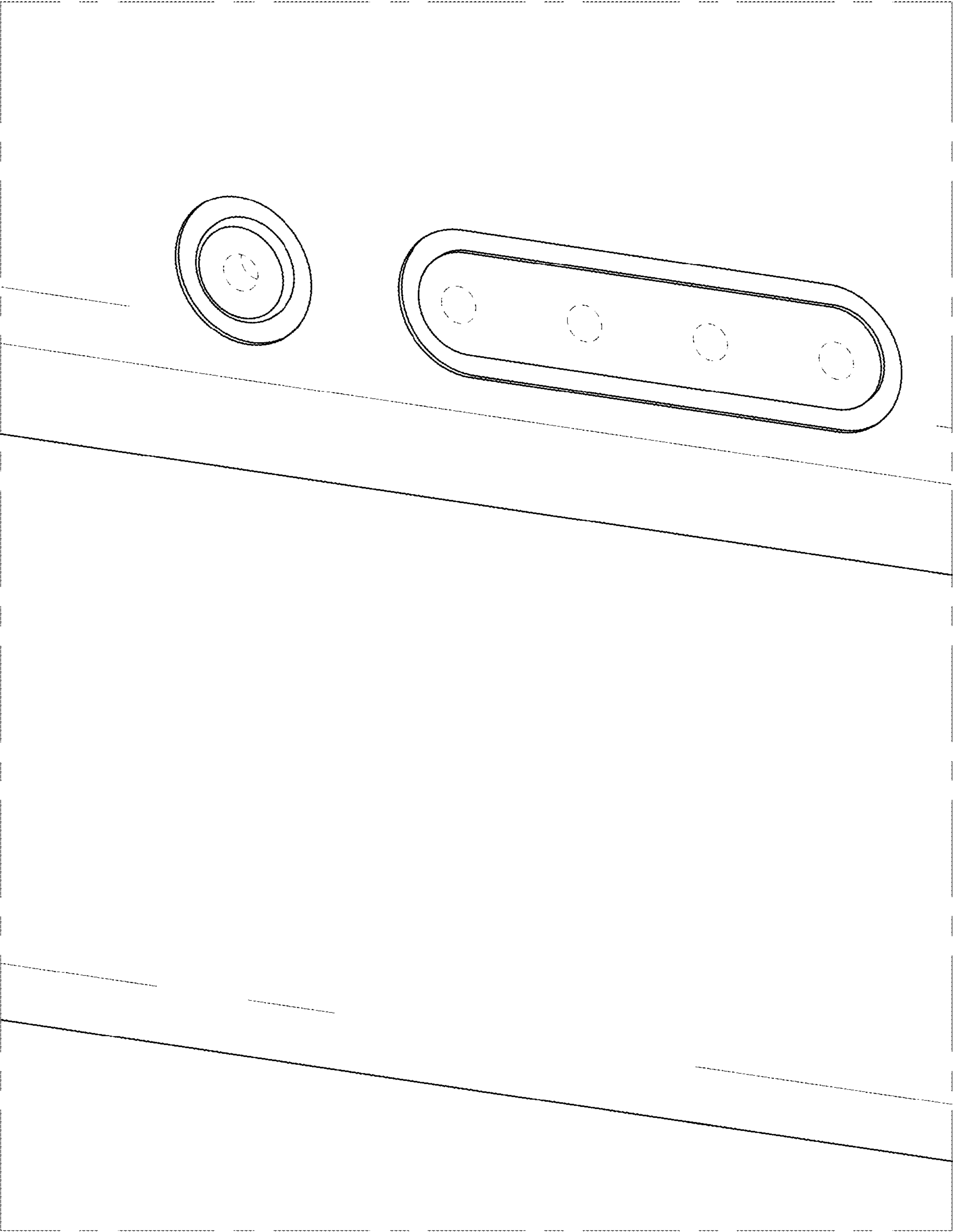


FIG. 9