



US00D890090S

(12) **United States Design Patent** (10) **Patent No.:** **US D890,090 S**
Hernandez et al. (45) **Date of Patent:** **** Jul. 14, 2020**

(54) **CHARGING STAND**

(71) Applicant: **THERAGUN, LLC**, Santa Monica, CA (US)

(72) Inventors: **Trent Hernandez**, Los Angeles, CA (US); **Dennis Matthew Puhalla**, Chicago, IL (US); **Jillian Tackaberry**, Chicago, IL (US); **Gary Paulsen**, Chicago, IL (US)

(73) Assignee: **THERAGUN, INC.**, Beverly Hills, CA (US)

(**) Term: **15 Years**

(21) Appl. No.: **29/679,886**

(22) Filed: **Feb. 11, 2019**

(51) **LOC (12) Cl.** **13-02**

(52) **U.S. Cl.**
USPC **D13/108**

(58) **Field of Classification Search**
 USPC D13/107–110, 118–119, 184; D14/251, D14/253, 432, 434
 CPC Y02E 60/12; Y02T 90/14; Y02T 90/122; Y02T 90/128; Y02T 90/163; H02J 7/025; H02J 7/0042; H02J 7/0044; H02J 7/0045; H02J 7/0013; H02J 7/0003; H01F 38/14; H01R 13/6675; H01M 2/1022; H01M 2/1055; H01M 10/44; H01M 10/46; H01M 10/425; B60L 11/182

See application file for complete search history.

(56) **References Cited**

U.S. PATENT DOCUMENTS

D434,372 S *	11/2000	Buchin	D13/108
D456,005 S *	4/2002	Jokinen	D13/108
D466,476 S *	12/2002	Stratford	D13/108
D488,439 S *	4/2004	Orthey	D13/107
D509,788 S *	9/2005	Schlieffers	D13/108
D523,809 S *	6/2006	Roth	D13/108
D551,618 S *	9/2007	Aglassinger	D13/108
D605,588 S *	12/2009	Nomi	D13/108
D673,498 S *	1/2013	Colle	D13/108
D697,474 S *	1/2014	Manneschi	D13/108
D781,784 S *	3/2017	Dingle	D13/108
D839,824 S *	2/2019	Parra	D13/107
D880,419 S *	4/2020	Hernandez	D13/108

* cited by examiner

Primary Examiner — Nathaniel D. Buckner

(74) *Attorney, Agent, or Firm* — Jeffer Mangels Butler & Mitchell LLP; Brennan C. Swain, Esq.

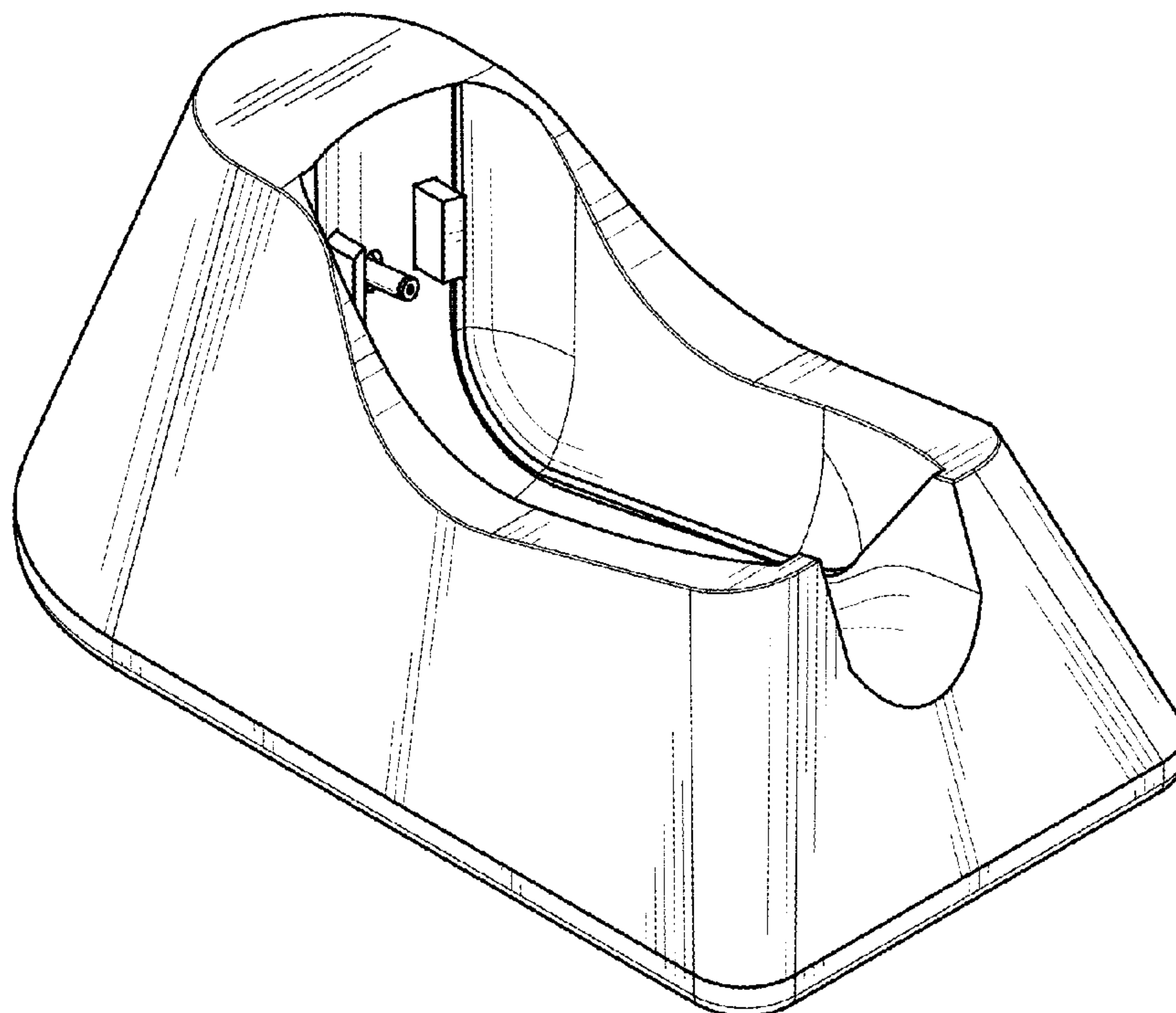
(57) **CLAIM**

The ornamental design for a charging stand, as shown and described.

DESCRIPTION

FIG. 1 is a front perspective view of the present invention; FIG. 2 is a rear perspective view of the present invention; FIG. 3 is a front elevational view of the present invention; FIG. 4 is a rear elevational view of the present invention; FIG. 5 is a right side elevational view of the present invention, the left side elevational view being a mirror image thereof; and, FIG. 6 is a top plan view of the present invention.

1 Claim, 5 Drawing Sheets



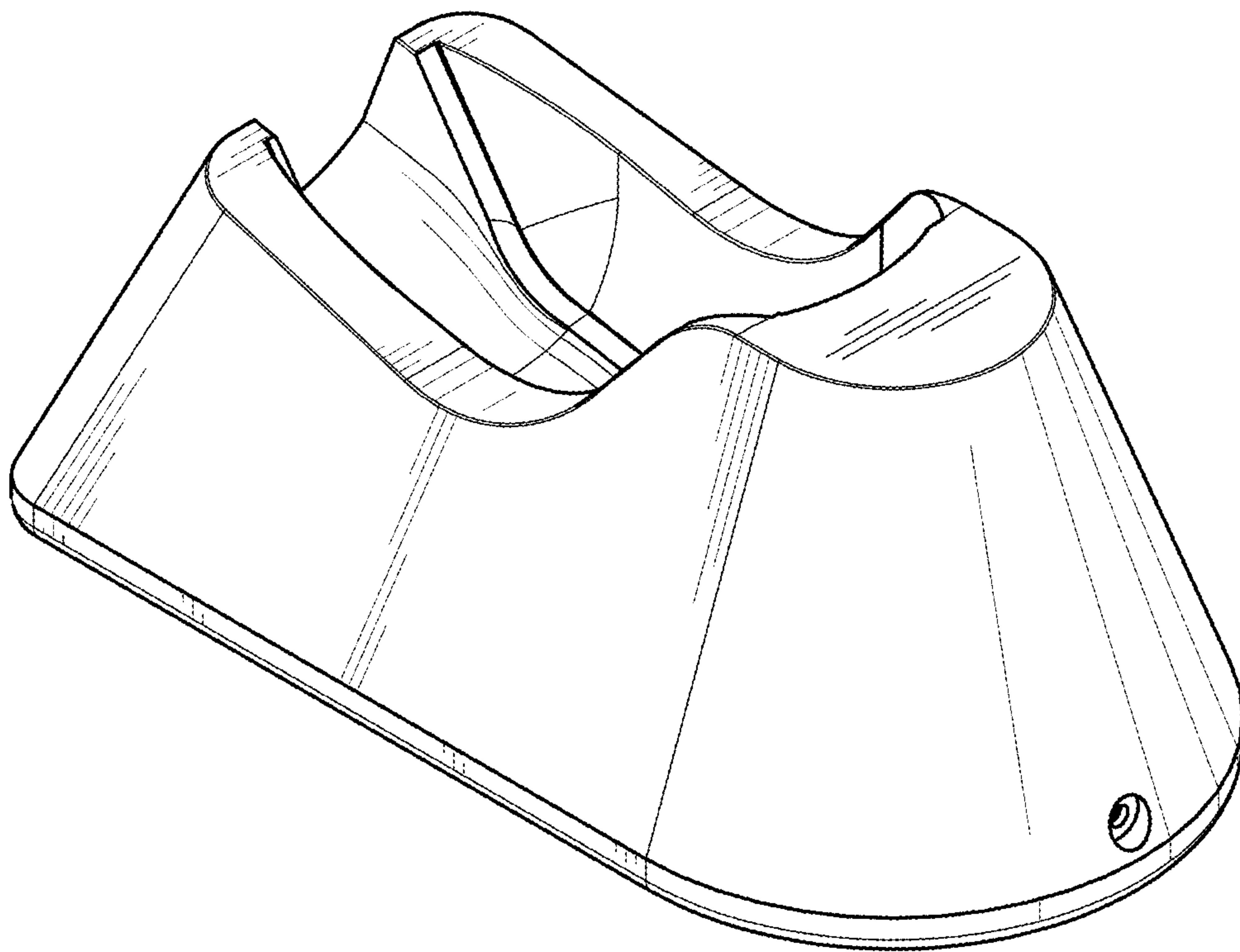


FIG. 1

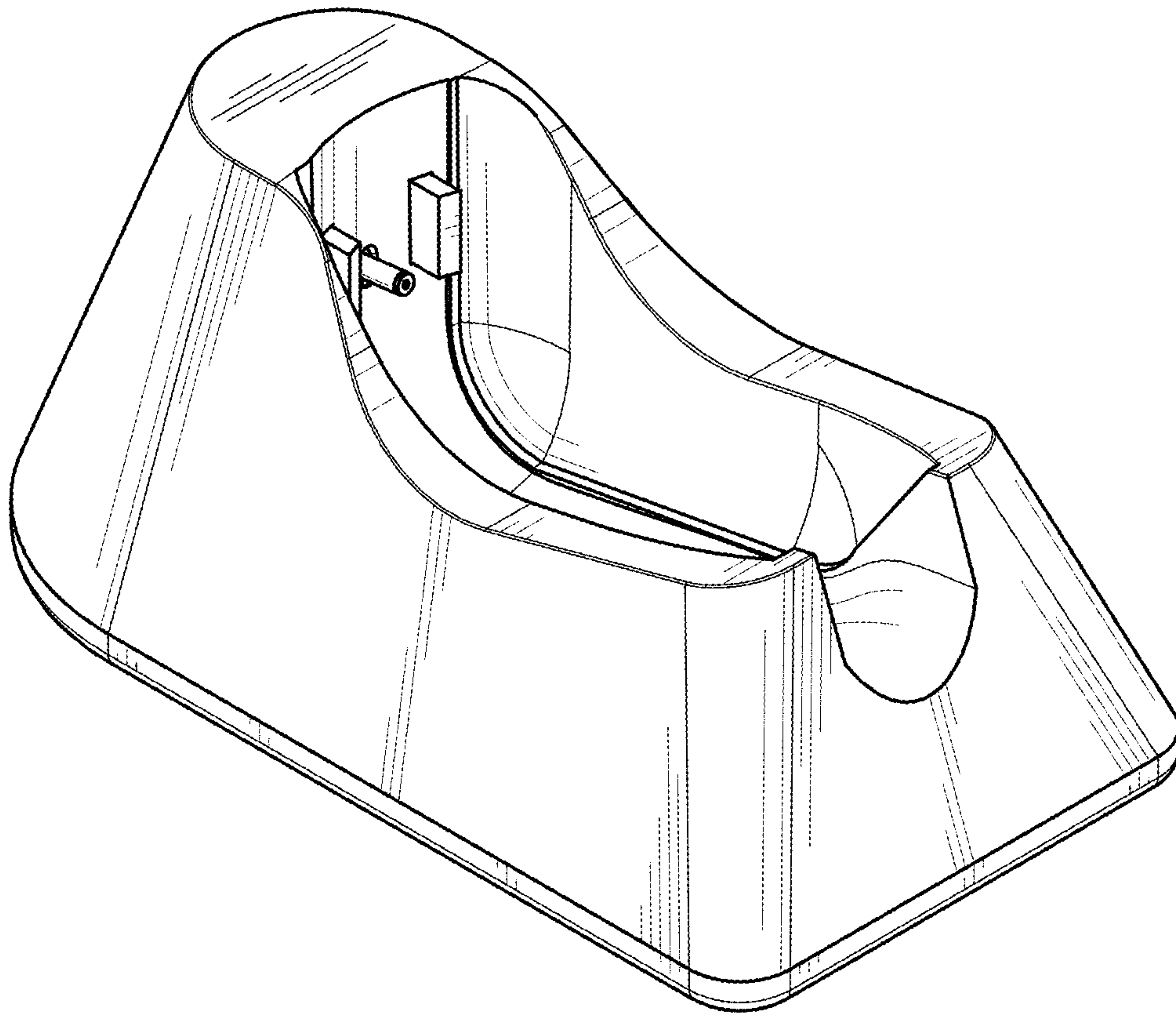


FIG. 2

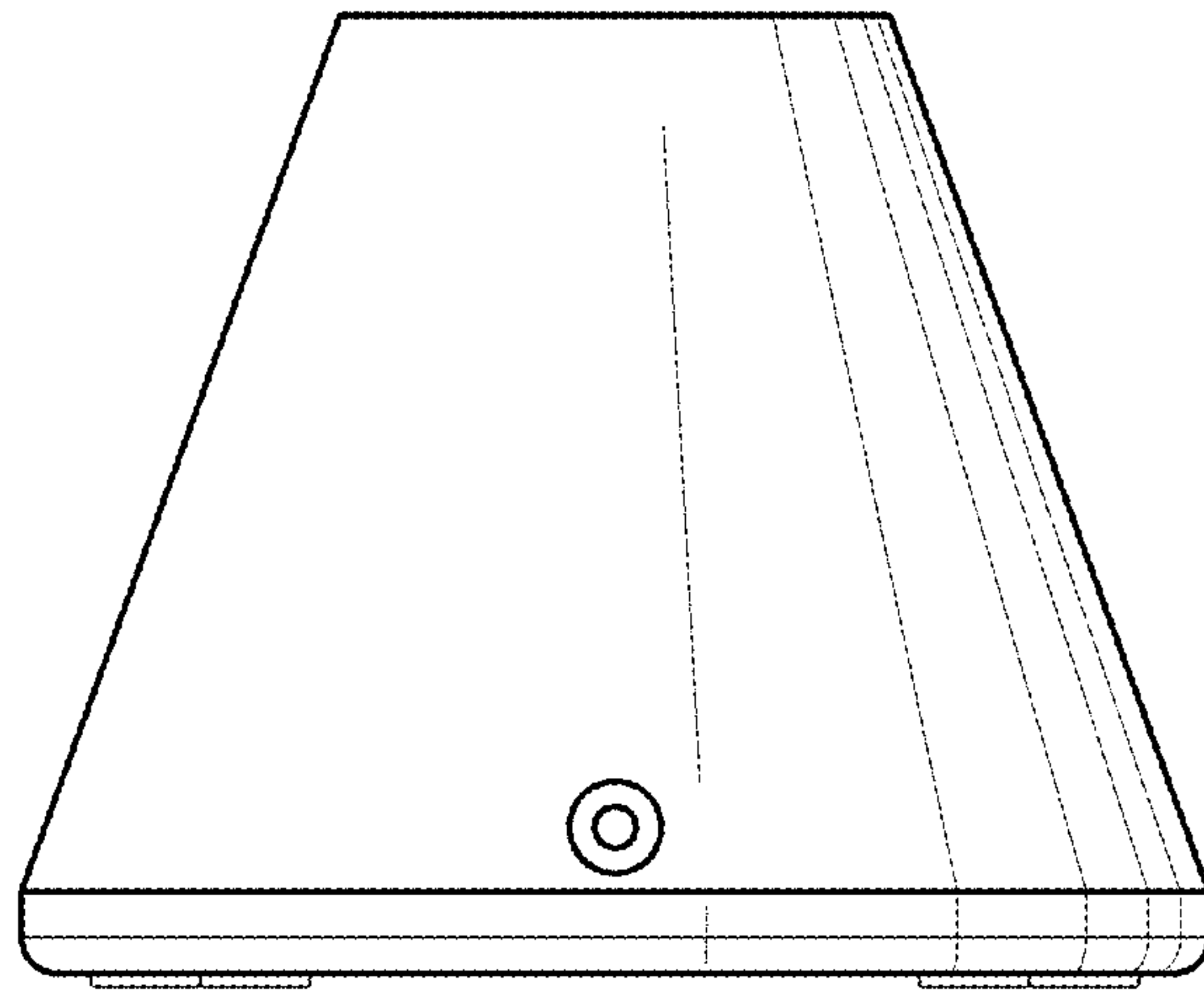


FIG. 3

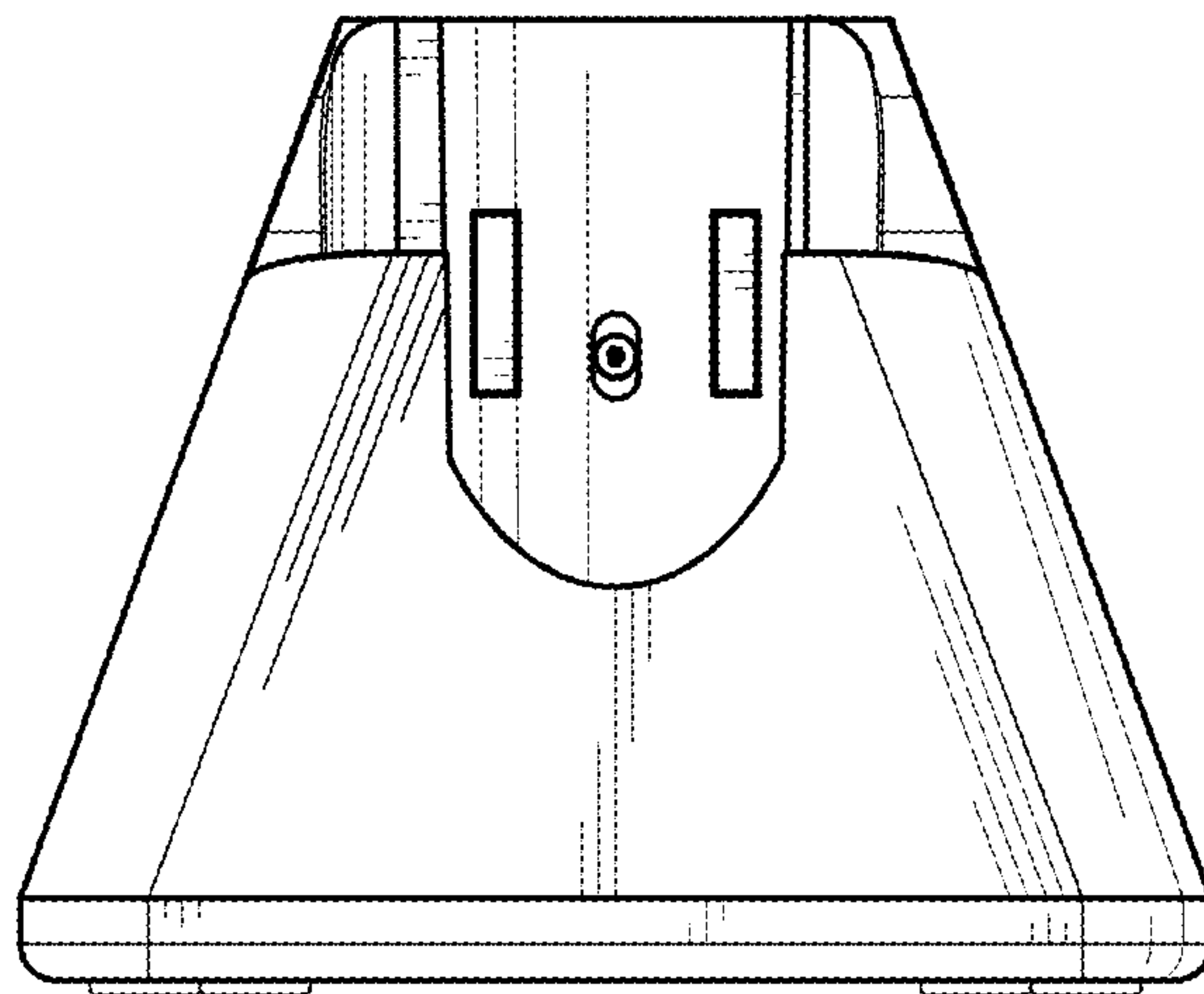


FIG. 4

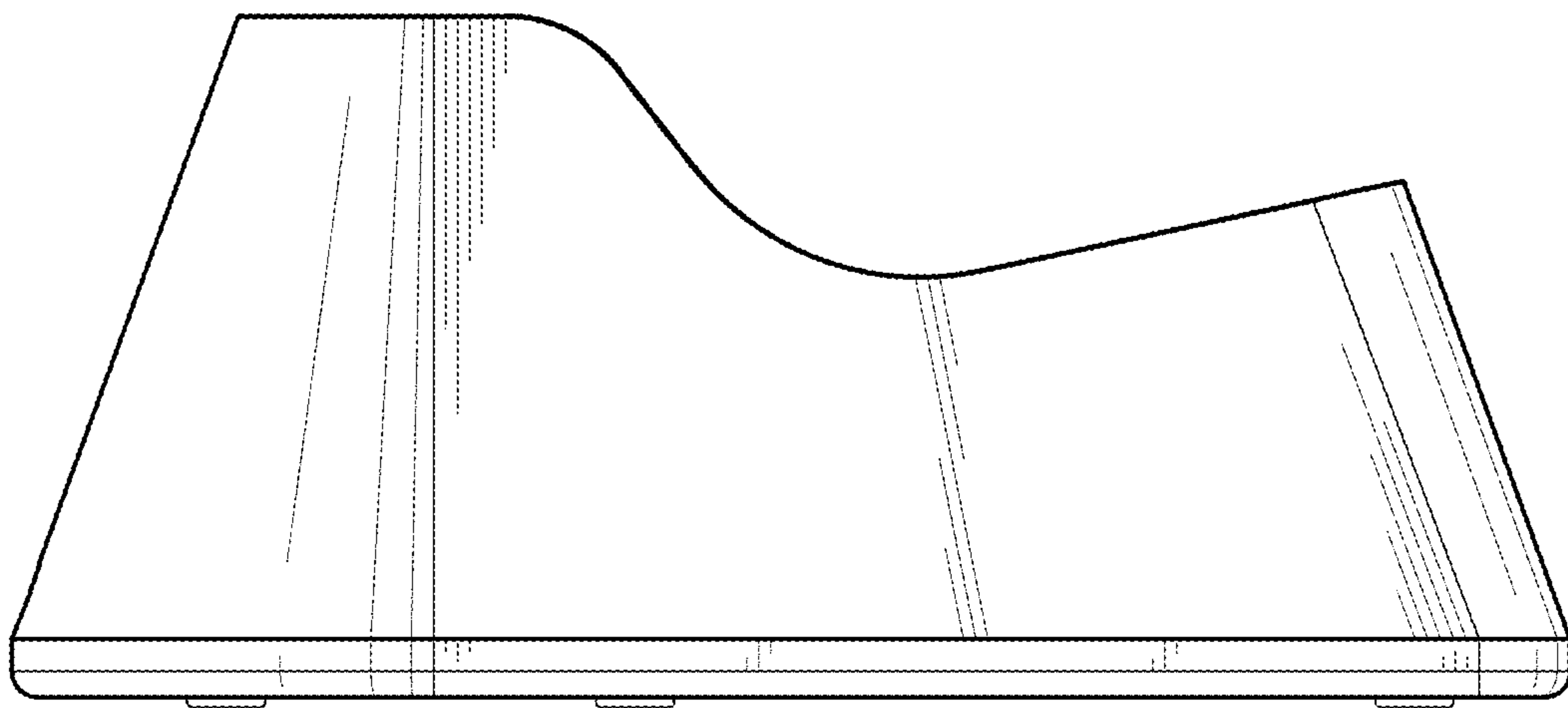


FIG. 5

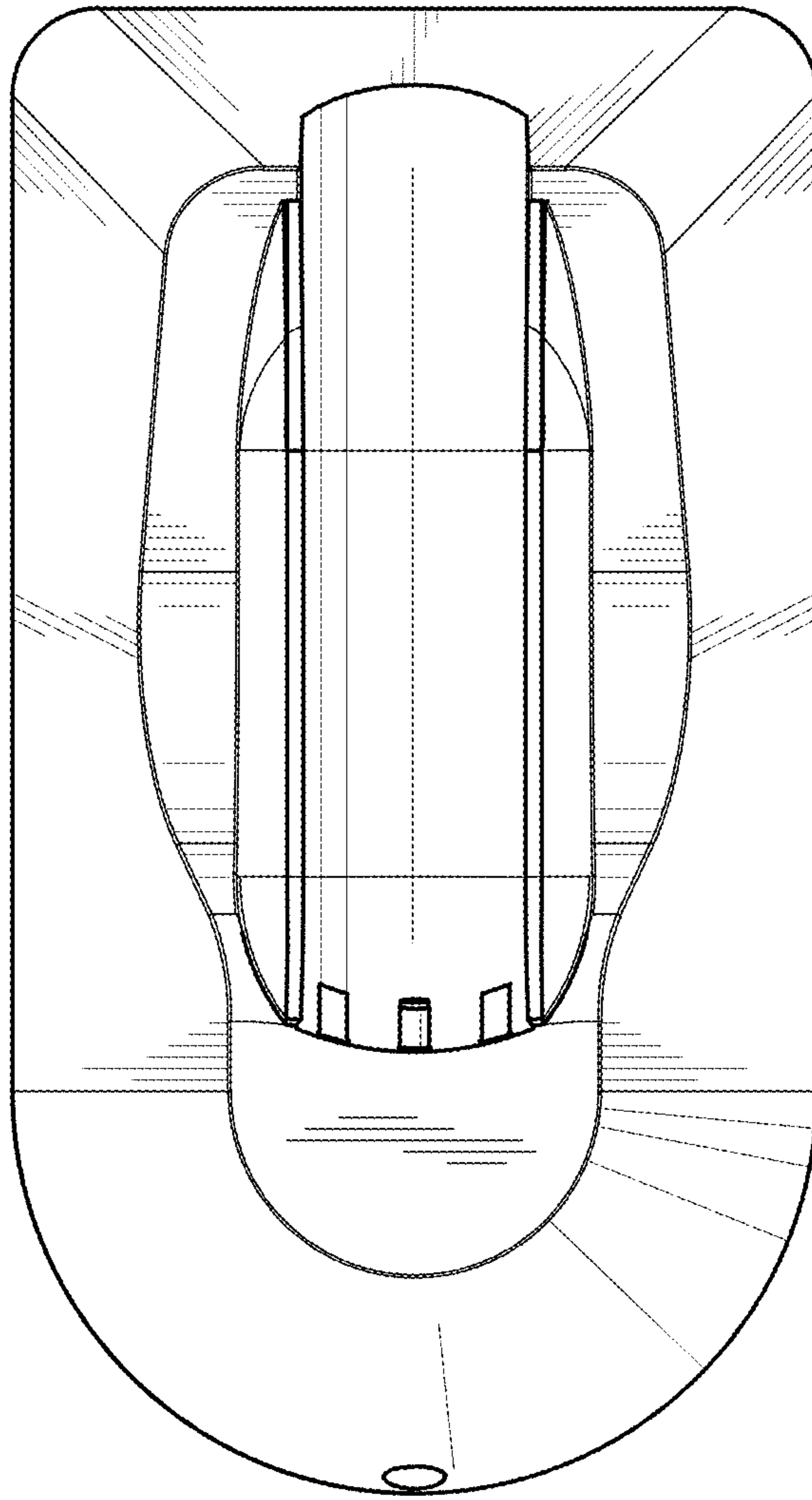


FIG. 6