



US00D890088S

(12) **United States Design Patent** (10) **Patent No.:** **US D890,088 S**  
**Machida et al.** (45) **Date of Patent:** **\*\* Jul. 14, 2020**

(54) **CHARGING BASE**  
(71) Applicant: **Verity Studios AG**, Zurich (CH)  
(72) Inventors: **Yuki Machida**, Geneva (CH); **Nevin McCallum**, Zurich (CH)  
(73) Assignee: **Verity Studios AG**, Zurich (CH)  
(\*\*) Term: **15 Years**  
(21) Appl. No.: **29/653,889**  
(22) Filed: **Jun. 19, 2018**  
(51) **LOC (12) Cl.** ..... **13-02**  
(52) **U.S. Cl.**  
USPC ..... **D13/107**  
(58) **Field of Classification Search**  
USPC ..... D13/107-110, 118-119, 184; D14/251,  
D14/253, 432, 434  
CPC ..... Y02E 60/12; Y02T 90/14; Y02T 90/122;  
Y02T 90/128; Y02T 90/163; H02J 7/025;  
H02J 7/0042; H02J 7/0044; H02J 7/0045;  
H02J 7/0003; H01F 38/14; H01R  
13/6675; H01M 2/1022; H01M 2/1055;  
H01M 10/44; H01M 10/46; H01M  
10/425; B60L 11/182  
See application file for complete search history.

D524,282 S \* 7/2006 Beasley ..... D13/108  
D577,667 S \* 9/2008 Beedham ..... D13/108  
D578,061 S \* 10/2008 Kristensen ..... D13/110  
D615,491 S \* 5/2010 Emminger ..... D13/108  
D621,347 S \* 8/2010 Aulwes ..... D13/108  
D661,930 S \* 6/2012 Gebski ..... D13/108  
D682,198 S \* 5/2013 Vu ..... D13/108  
D687,437 S \* 8/2013 Hagenauer ..... D14/434  
D786,789 S \* 5/2017 Jordan ..... D13/108  
D789,374 S \* 6/2017 King ..... D14/413  
D798,808 S \* 10/2017 Ptok ..... D13/108  
D800,060 S \* 10/2017 Solland ..... D13/108  
D855,564 S \* 8/2019 Brennan ..... D13/108  
D858,438 S \* 9/2019 Levy ..... D13/108

\* cited by examiner

*Primary Examiner* — Rosemary K Tarcza  
(74) *Attorney, Agent, or Firm* — Haley Guiliano LLP

(57) **CLAIM**

The ornamental design for a charging base, as shown and described.

**DESCRIPTION**

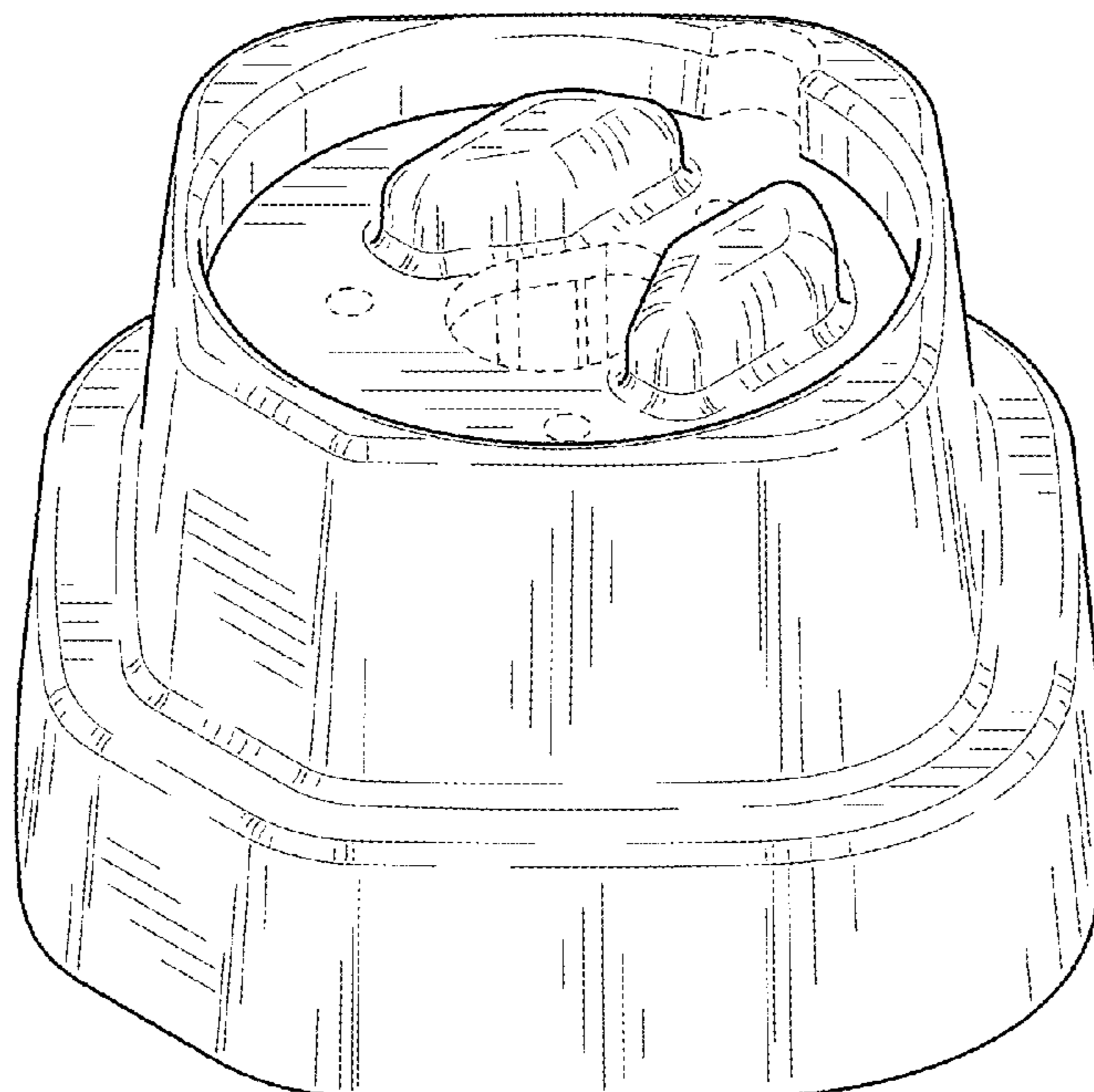
FIG. 1 is a top plan view of a charging base showing the claimed design;  
FIG. 2 is a front view of the charging base (both the front and left side views being mirror images);  
FIG. 3 is a right-side view of the charging base (both the right side and rear views being identical);  
FIG. 4 is a bottom view of the charging base;  
FIG. 5 is a top front perspective view of the charging base;  
FIG. 6 is a top, rear, right side perspective view of the charging base; and,  
FIG. 7 is a bottom perspective view of the charging base.  
The dashed broken lines depict portions of the charging base that form no part of the claimed design.

**1 Claim, 4 Drawing Sheets**

(56) **References Cited**

U.S. PATENT DOCUMENTS

D349,097 S \* 7/1994 Watanabe ..... D13/108  
D369,344 S \* 4/1996 Lindeman ..... D13/108  
D400,499 S \* 11/1998 Bunyea ..... D13/107  
D406,099 S \* 2/1999 Ng ..... D13/107  
D466,700 S \* 12/2002 Richmond ..... D13/108  
D471,578 S \* 3/2003 Okuley ..... D13/108  
D516,023 S \* 2/2006 Quinn ..... D13/108



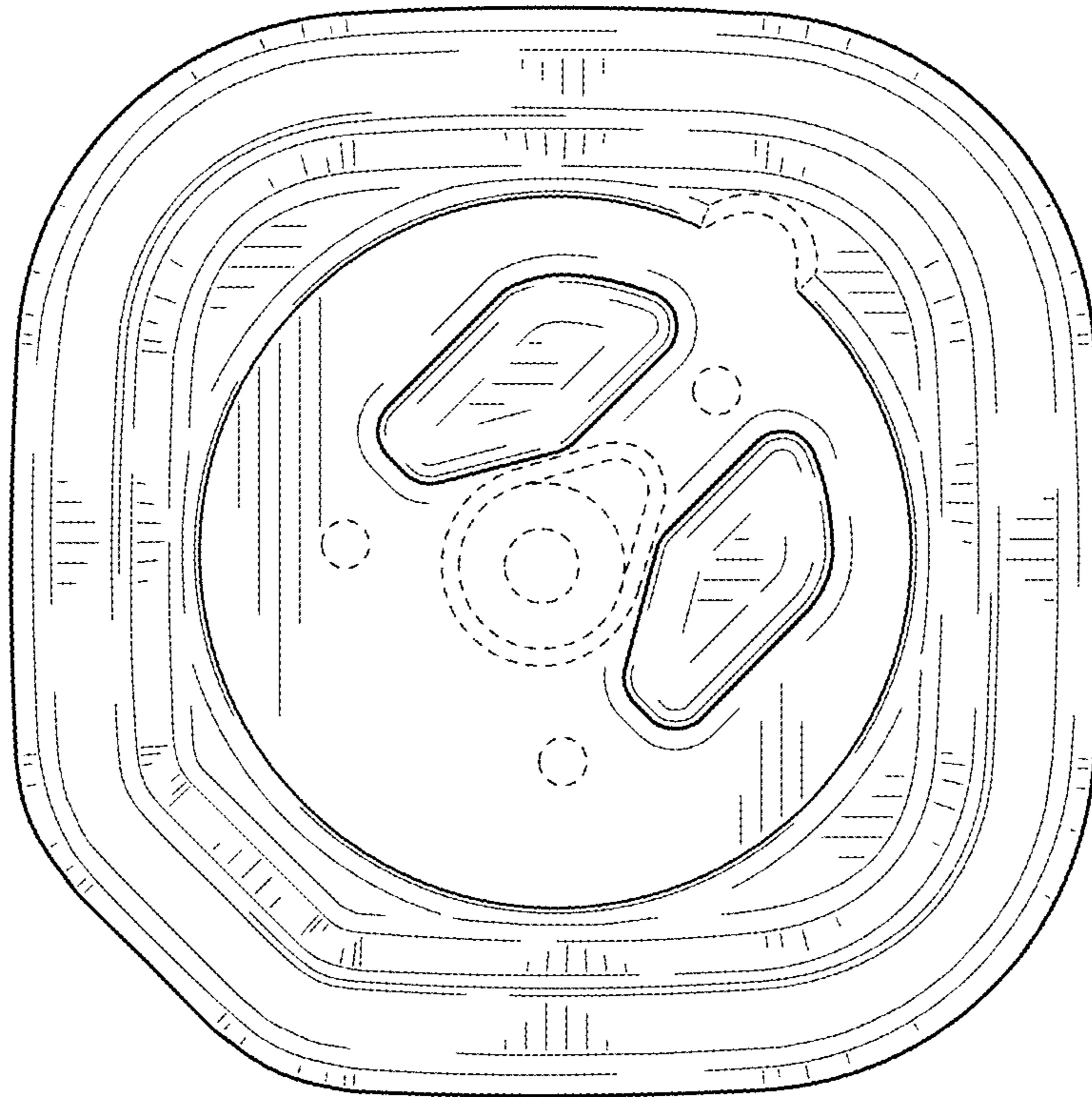


FIG. 1

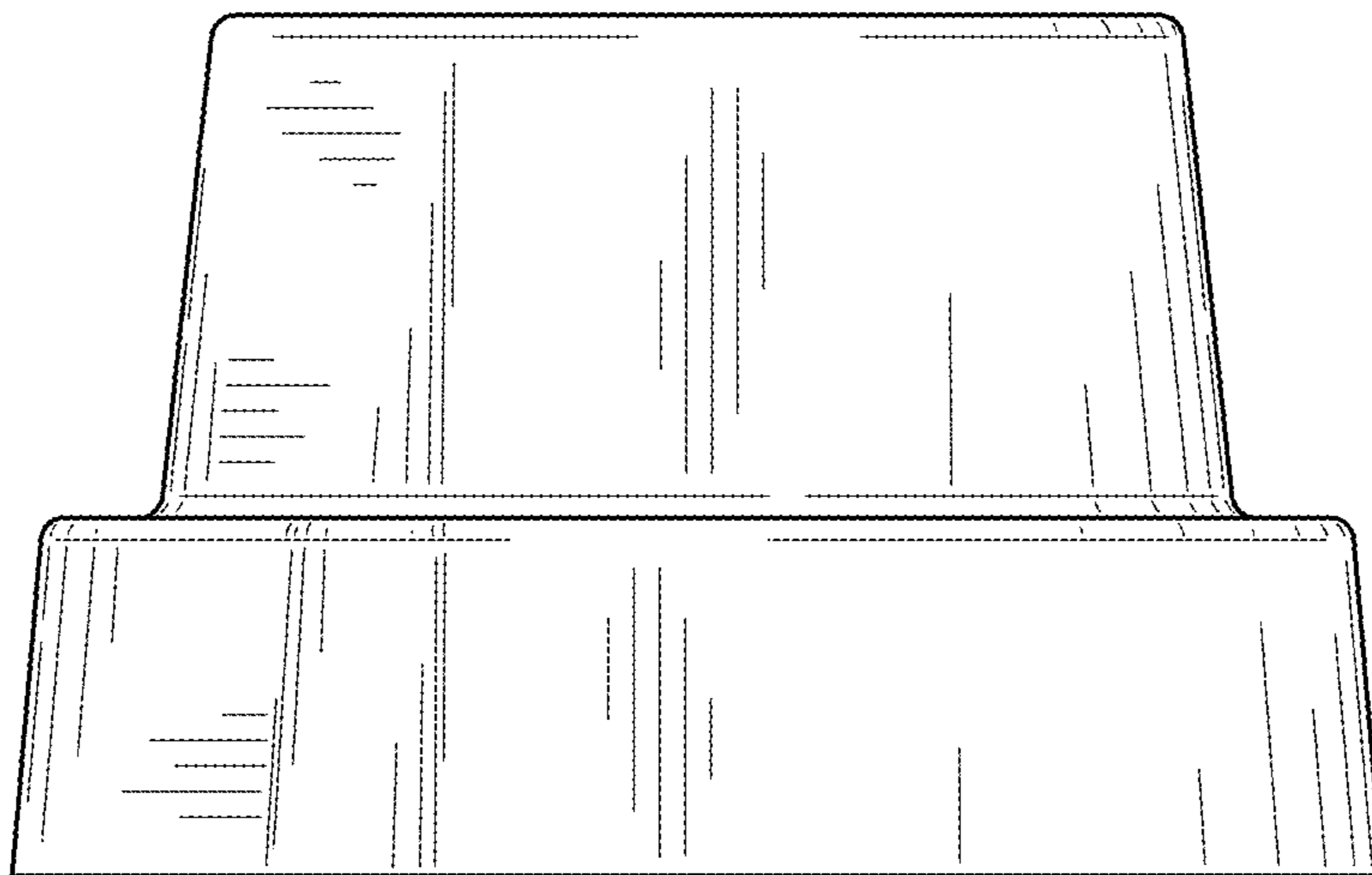


FIG. 2

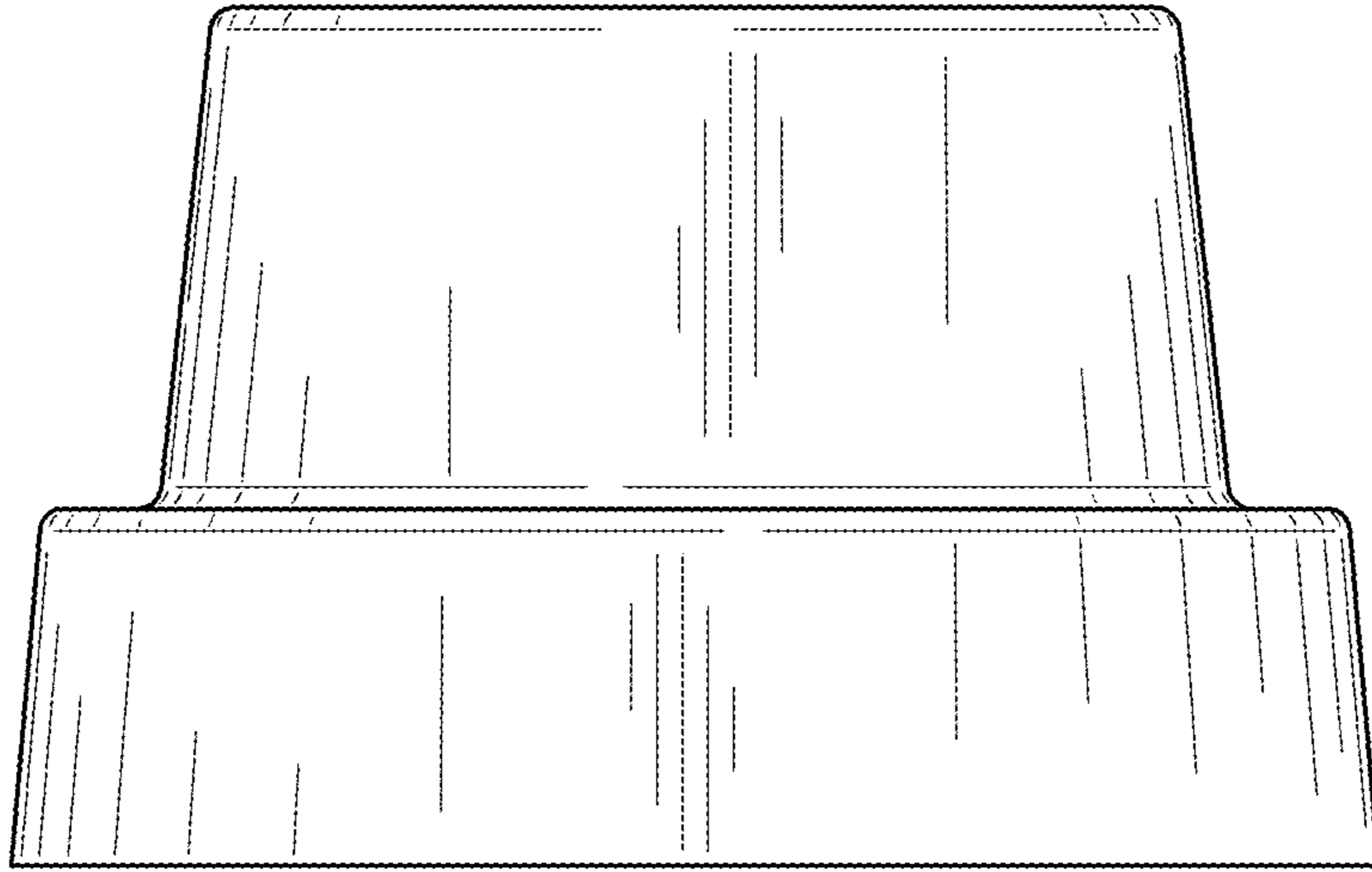


FIG. 3

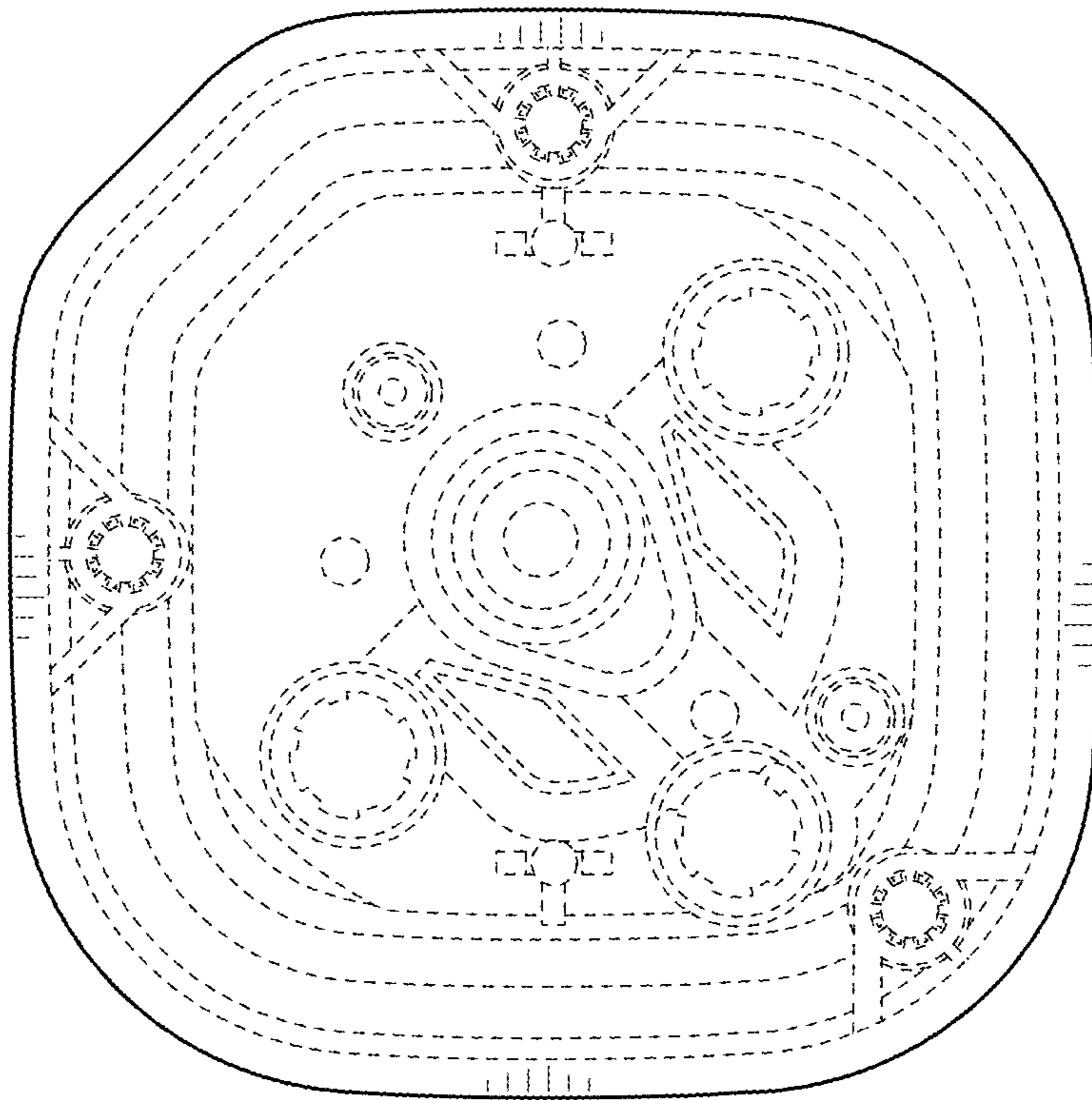


FIG. 4

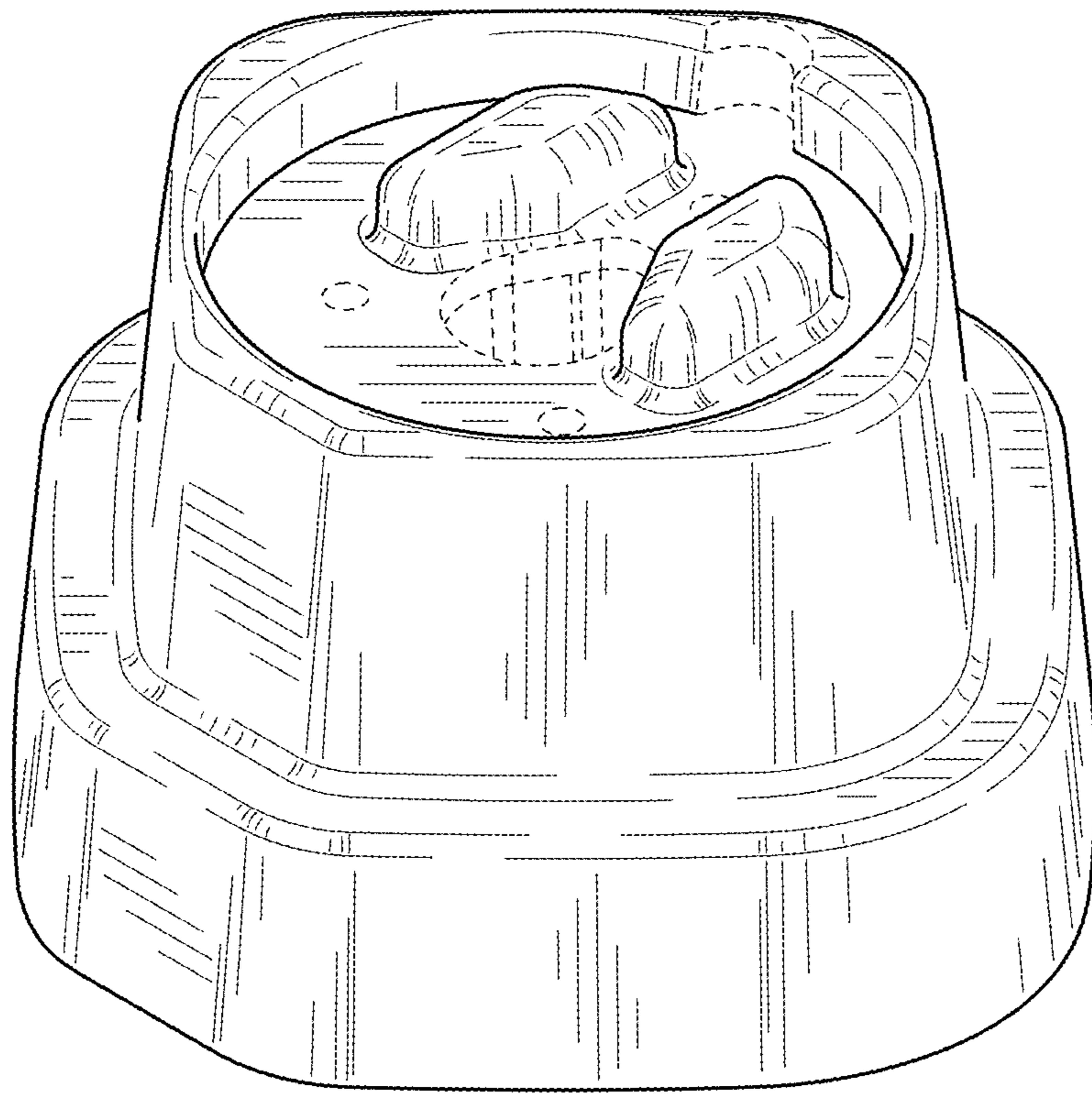


FIG. 5

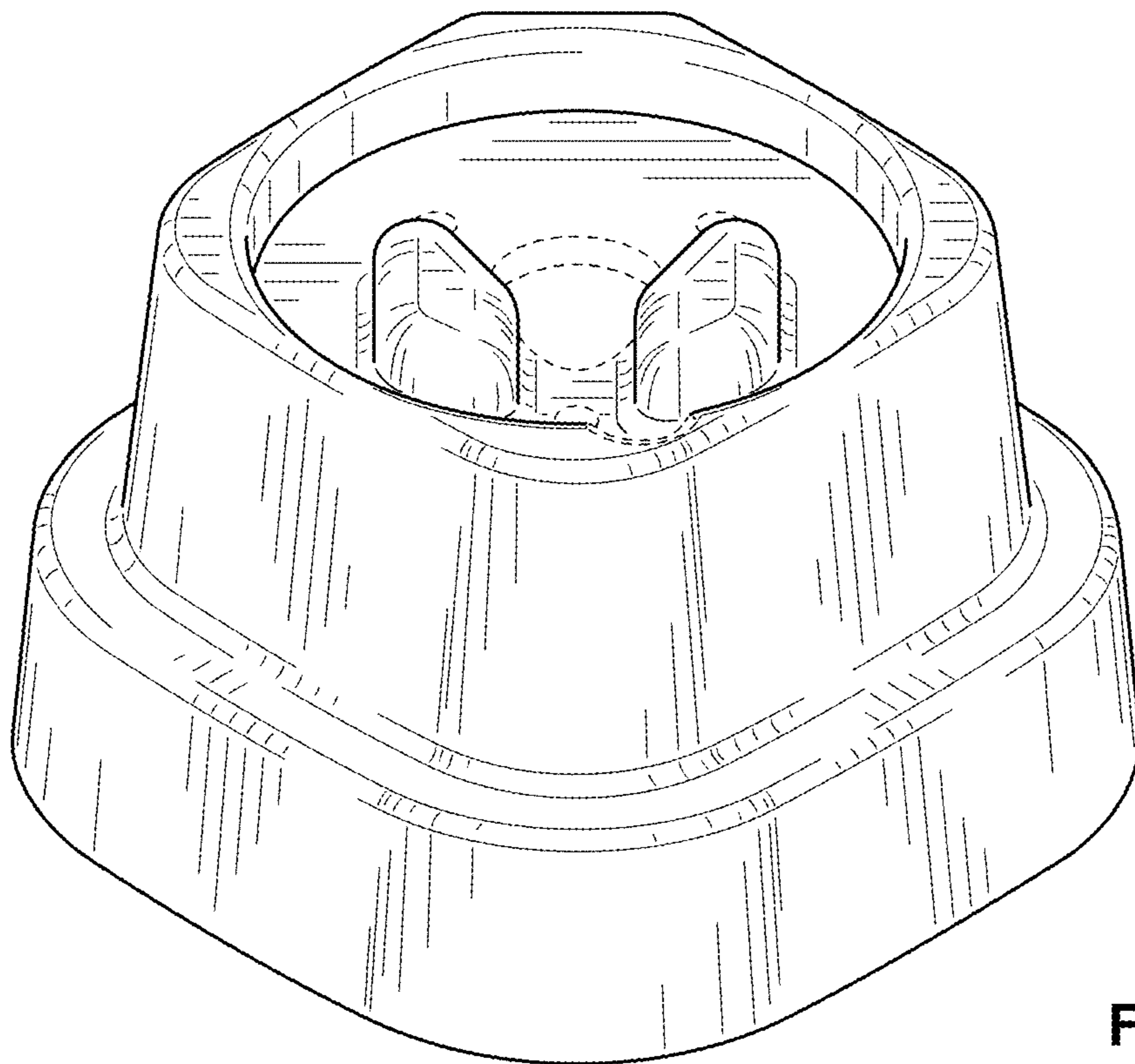


FIG. 6

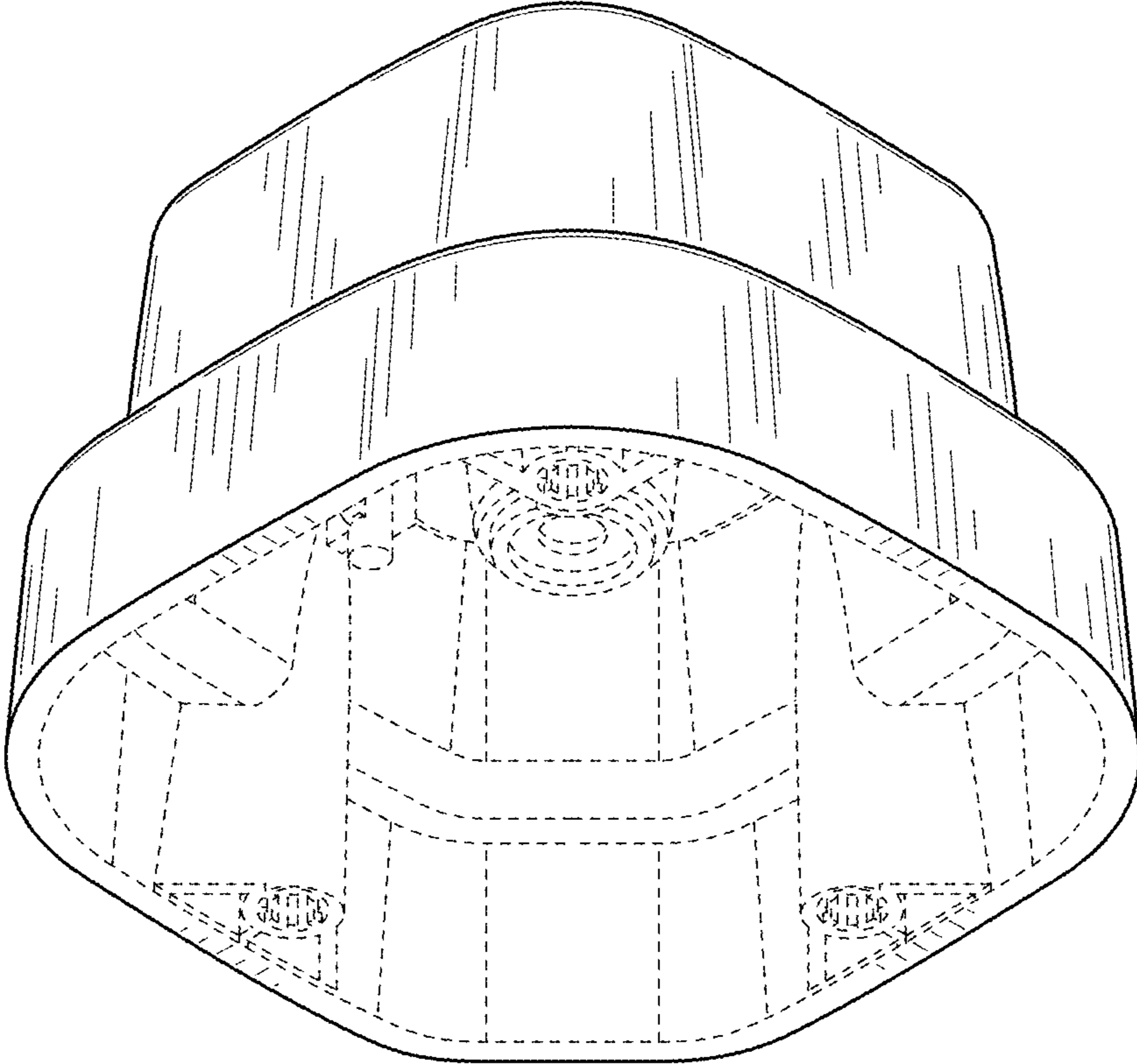


FIG. 7