



US00D890087S

(12) **United States Design Patent**  
**Xiao**

(10) **Patent No.:** **US D890,087 S**

(45) **Date of Patent:** **\*\* Jul. 14, 2020**

(54) **BATTERY BOX FOR CHRISTMAS STRING LIGHTS**

7/0057; Y02T 10/7005; Y02T 10/705;  
Y02T 10/7088; B60L 11/1809; B60L  
11/1861

See application file for complete search history.

(71) Applicant: **Quan Xiao**, Sichuan (CN)

(72) Inventor: **Quan Xiao**, Sichuan (CN)

(\*\*) Term: **15 Years**

(21) Appl. No.: **29/678,578**

(22) Filed: **Jan. 30, 2019**

(51) **LOC (12) Cl.** ..... **13-03**

(52) **U.S. Cl.**  
USPC ..... **D13/103**

(58) **Field of Classification Search**  
USPC ..... D13/103, 107, 108, 110, 133,  
D13/137.1-137.4, 138.1-138.2,  
D13/139.1-139.8, 146, 147, 151-156,  
D13/173, 177, 199

CPC ..... H01R 11/00; H01R 9/00; H01R 13/00;  
H01R 13/04; H01R 13/10; H01R  
13/6666; H01R 13/6675; H01R 25/00;  
H01R 25/006; H01H 2207/00; H01H  
2207/022; Y02E 60/12; Y02E 60/122;  
Y02E 60/124; Y02E 60/50; H01M 2/02;  
H01M 2/022; H01M 2/0202; H01M  
2/0207; H01M 2/0212; H01M 2/1061;  
H01M 2/1022; H01M 2/1055; H01M  
2/1066; H01M 2/105; H01M 2/204; H02J  
7/00; H02J 7/0003; H02J 7/0011; H02J  
7/0013; H02J 7/0054; H02J 7/0055; H02J

(56) **References Cited**

U.S. PATENT DOCUMENTS

D591,690	S	*	5/2009	Vogel	.....	D13/152
D821,968	S	*	7/2018	Zhao	.....	D13/103
D823,788	S	*	7/2018	Wei	.....	D13/103
D853,320	S	*	7/2019	Guo	.....	D13/103
2019/0036286	A1	*	1/2019	Yang	.....	H01M 10/488
2019/0326565	A1	*	10/2019	Zhou	.....	H01M 10/613

\* cited by examiner

*Primary Examiner* — Rosemary K Tarcza

*Assistant Examiner* — Christy M Nemeth

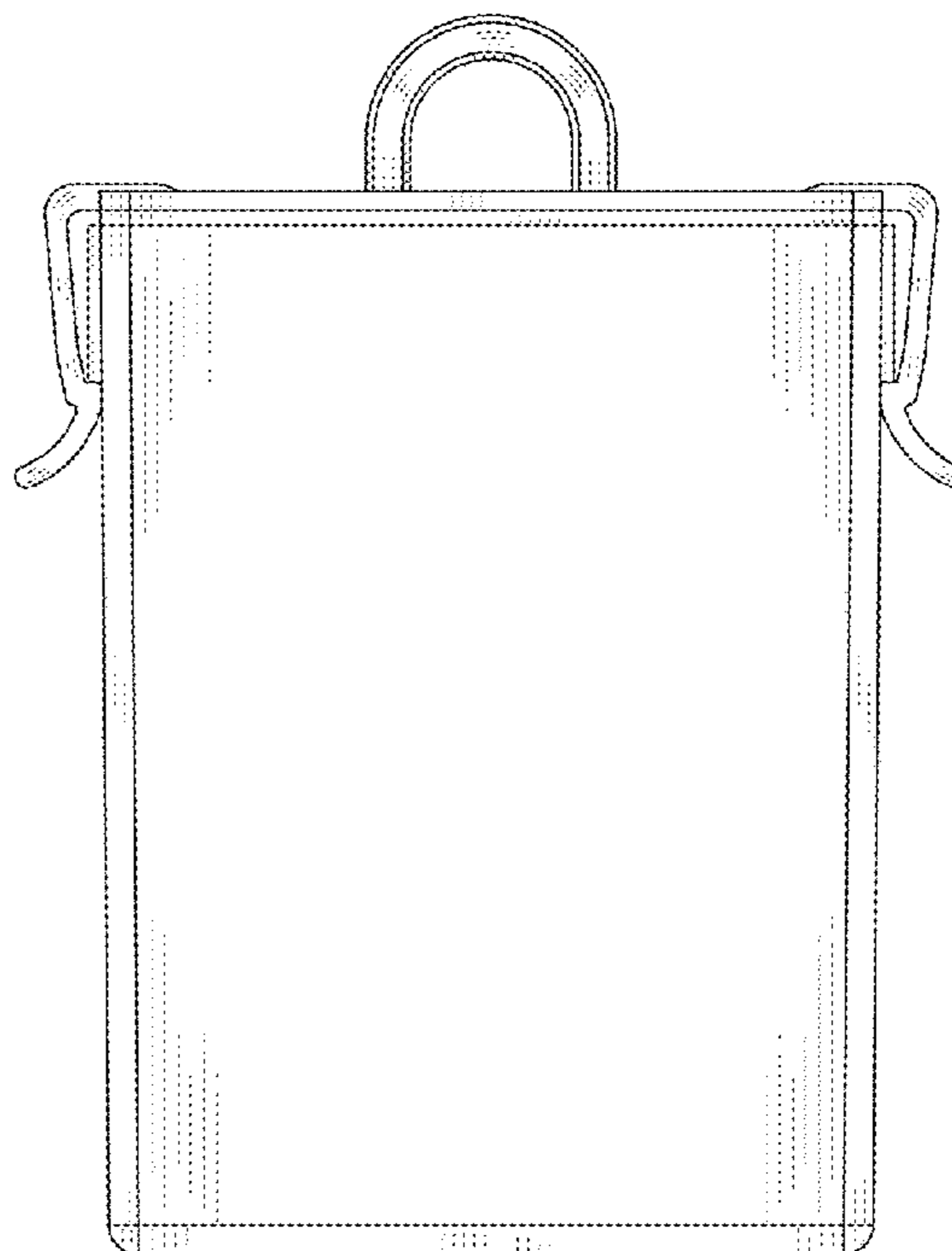
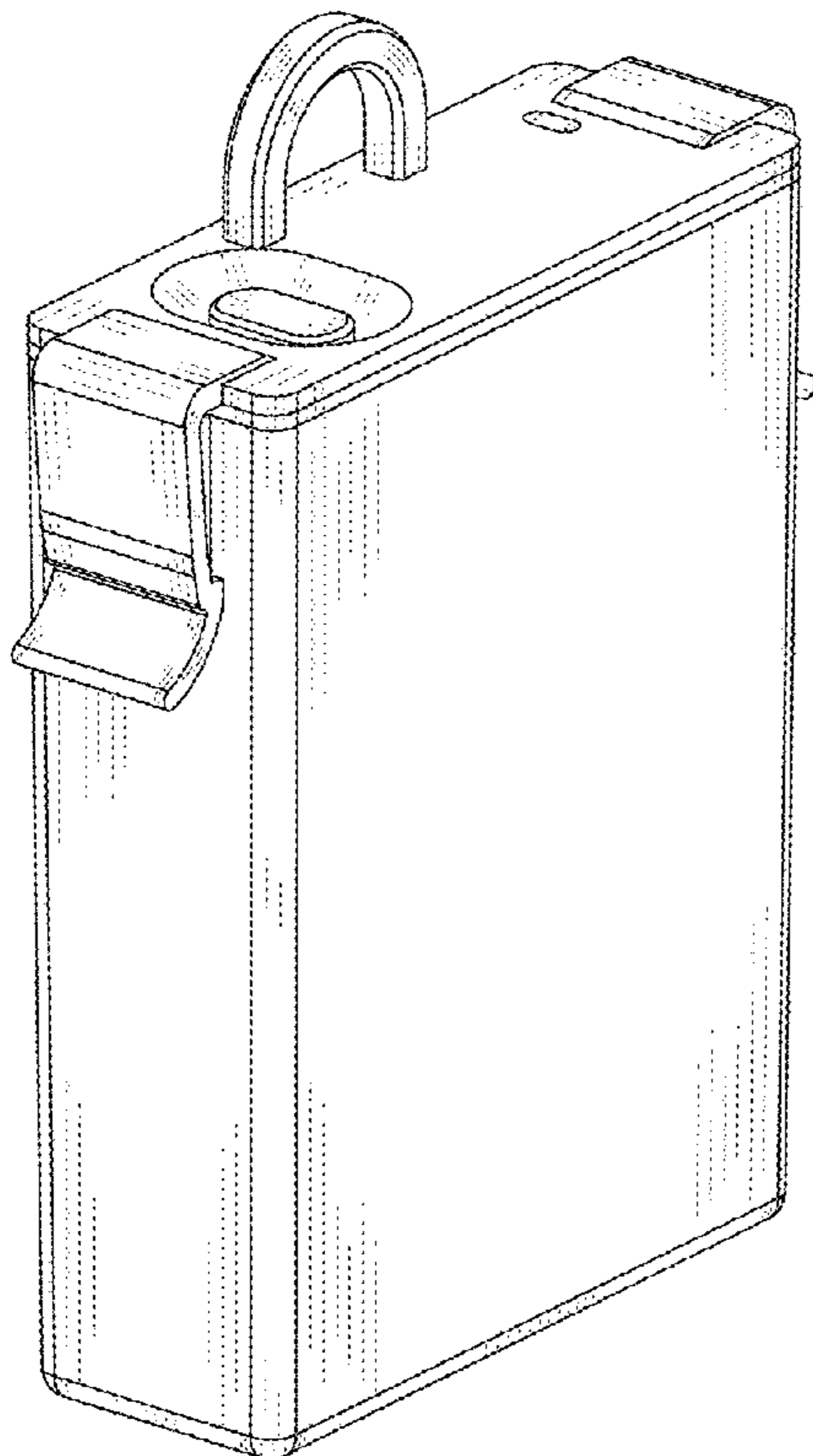
(57) **CLAIM**

The ornamental design for a battery box for Christmas string lights, as shown and described.

**DESCRIPTION**

FIG. 1 is a perspective view of a battery box for Christmas string lights showing my new design;  
FIG. 2 is a front elevational view thereof;  
FIG. 3 is a rear elevational view thereof;  
FIG. 4 is a left side elevational view thereof;  
FIG. 5 is a right side elevational view thereof;  
FIG. 6 is a top plan view thereof; and,  
FIG. 7 is a bottom plan view thereof.

**1 Claim, 7 Drawing Sheets**



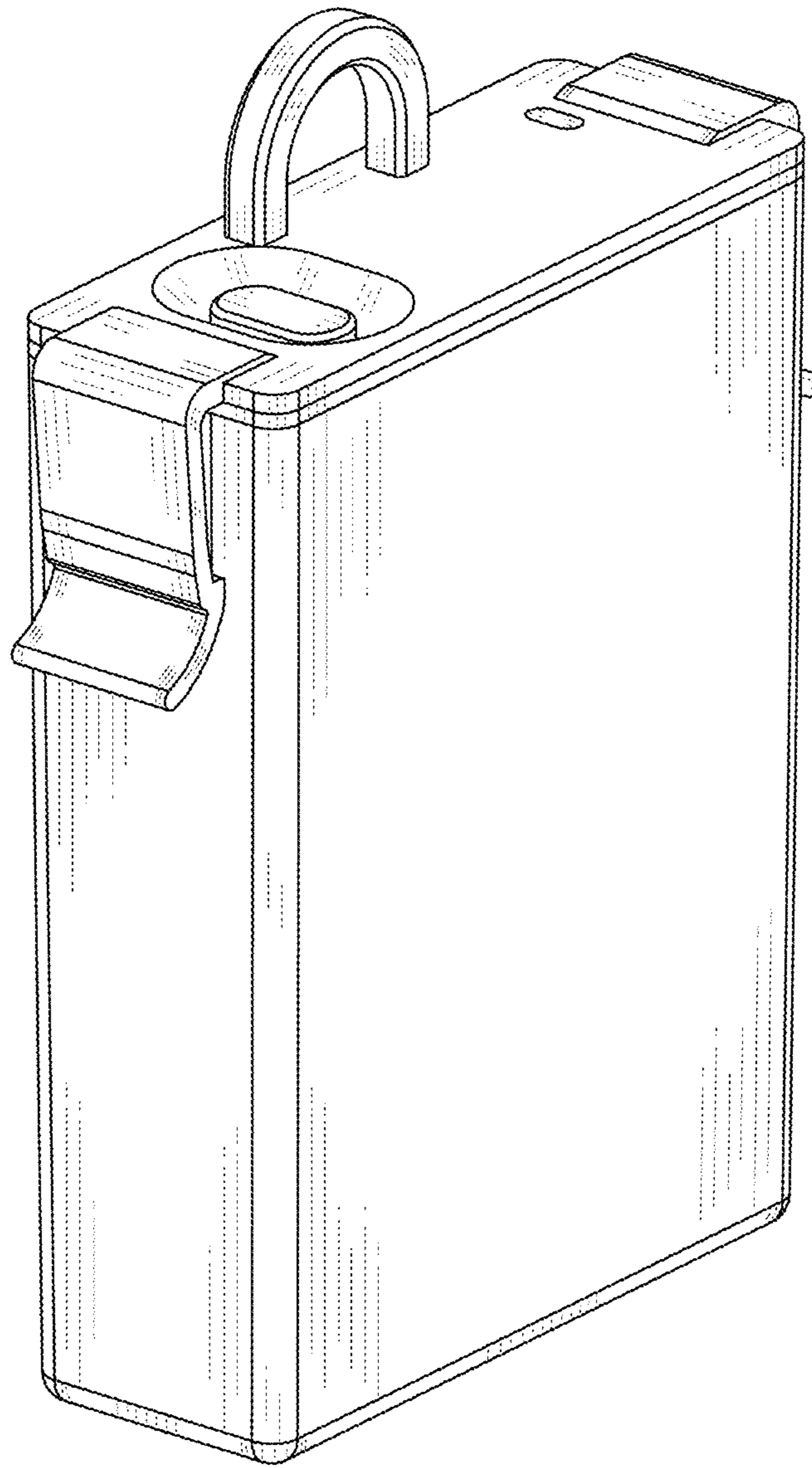


FIG.1

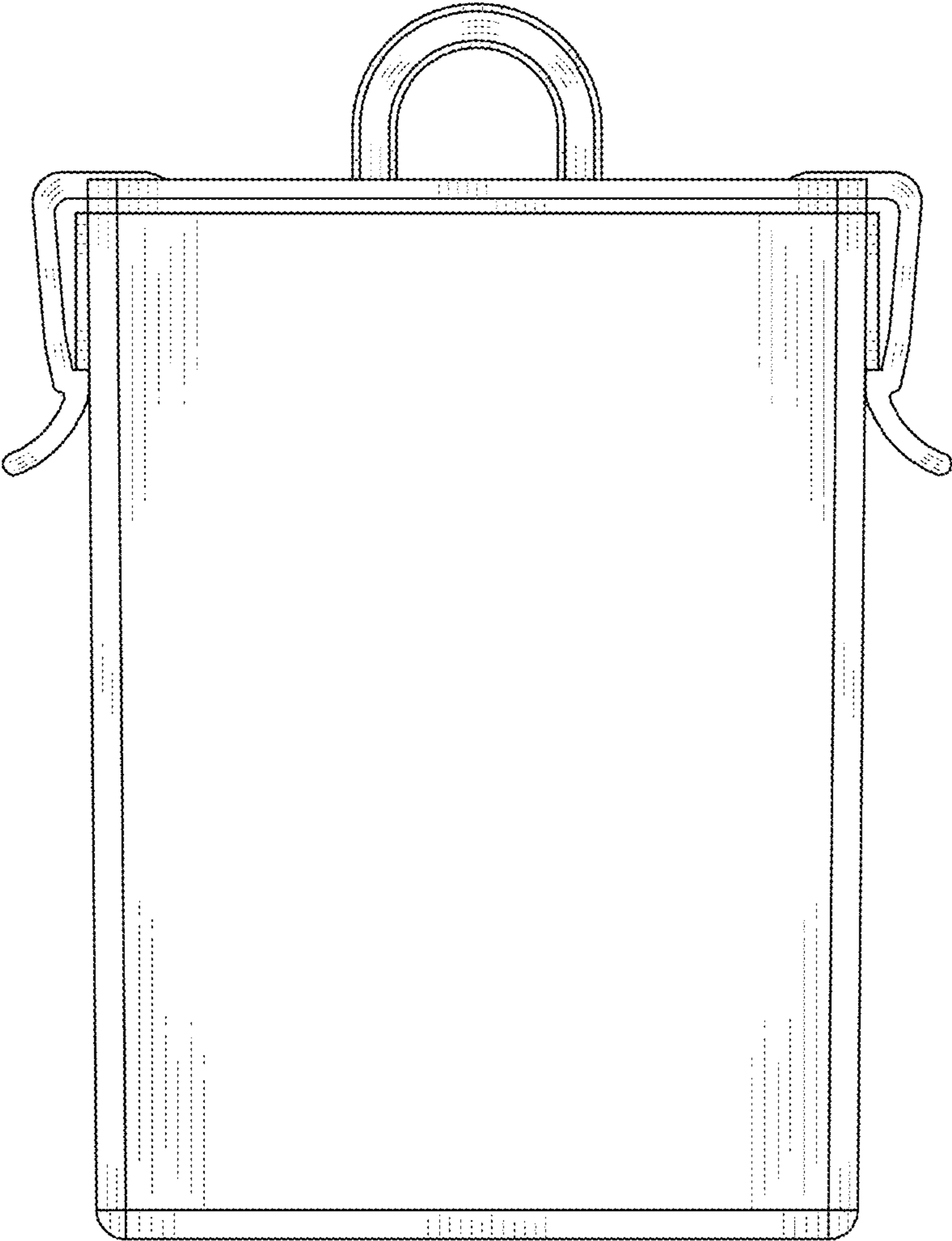


FIG.2

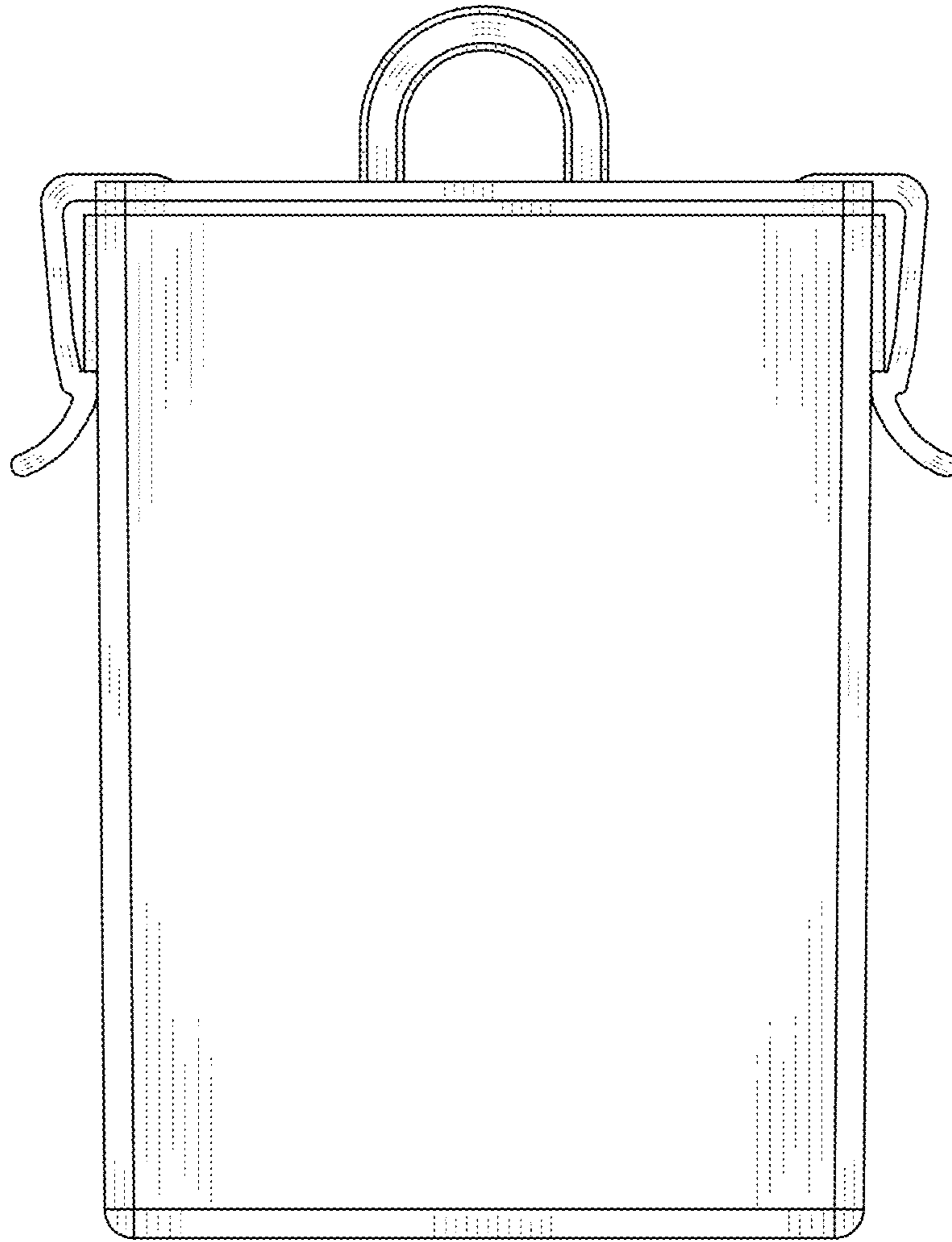


FIG.3

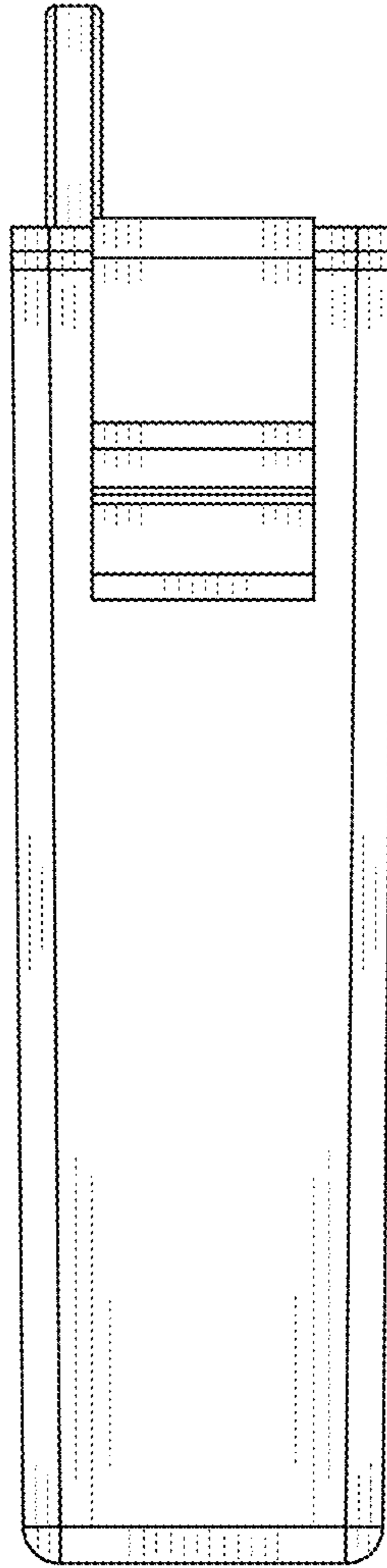


FIG.4

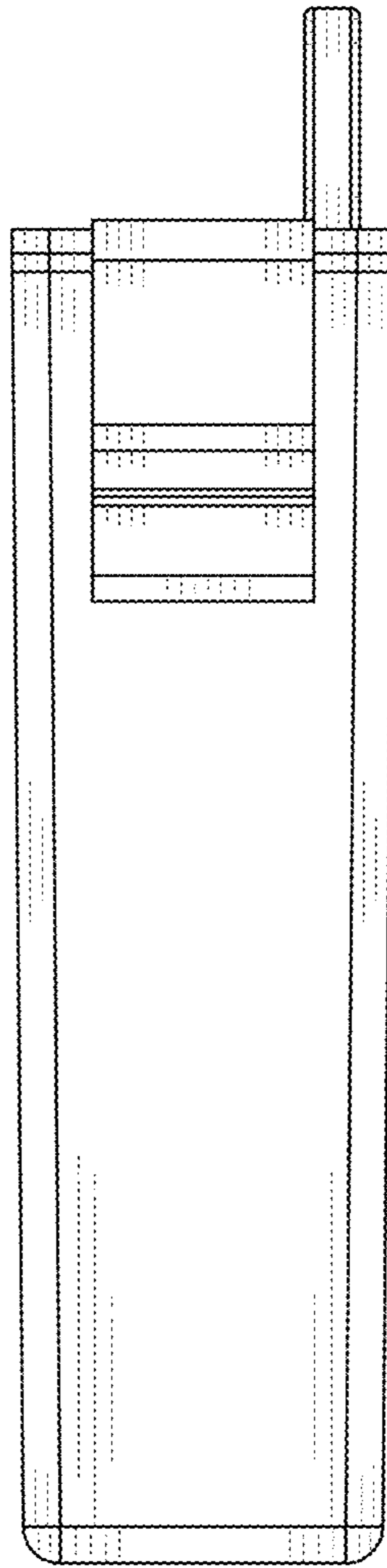


FIG.5

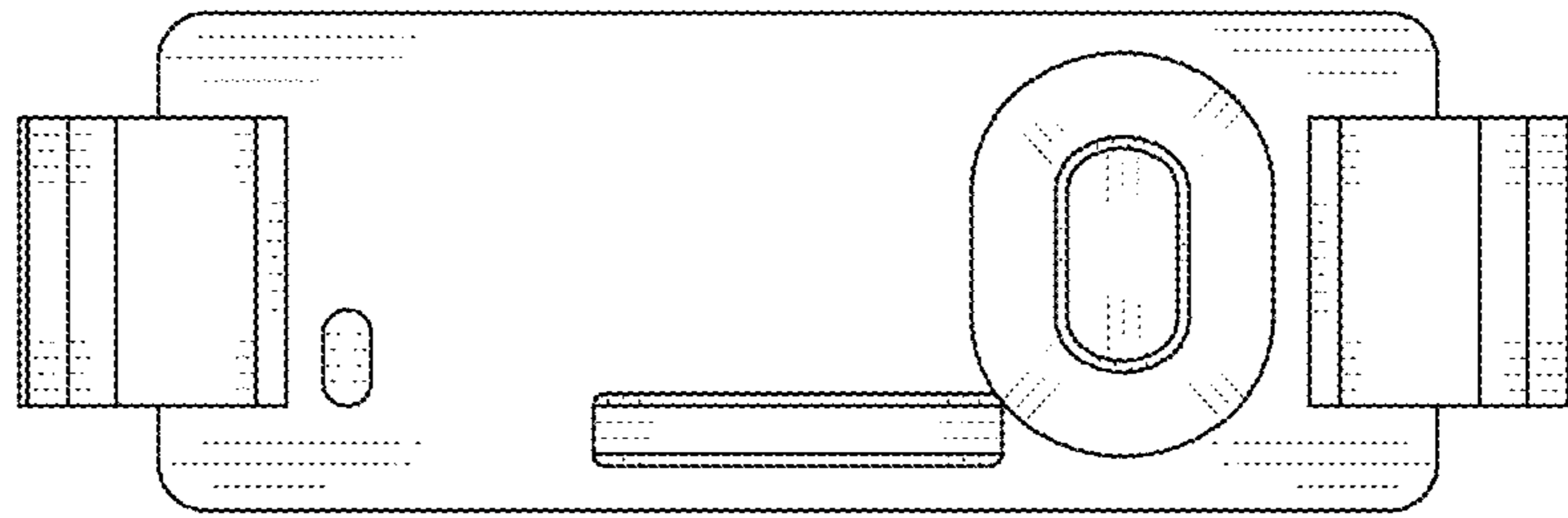


FIG.6

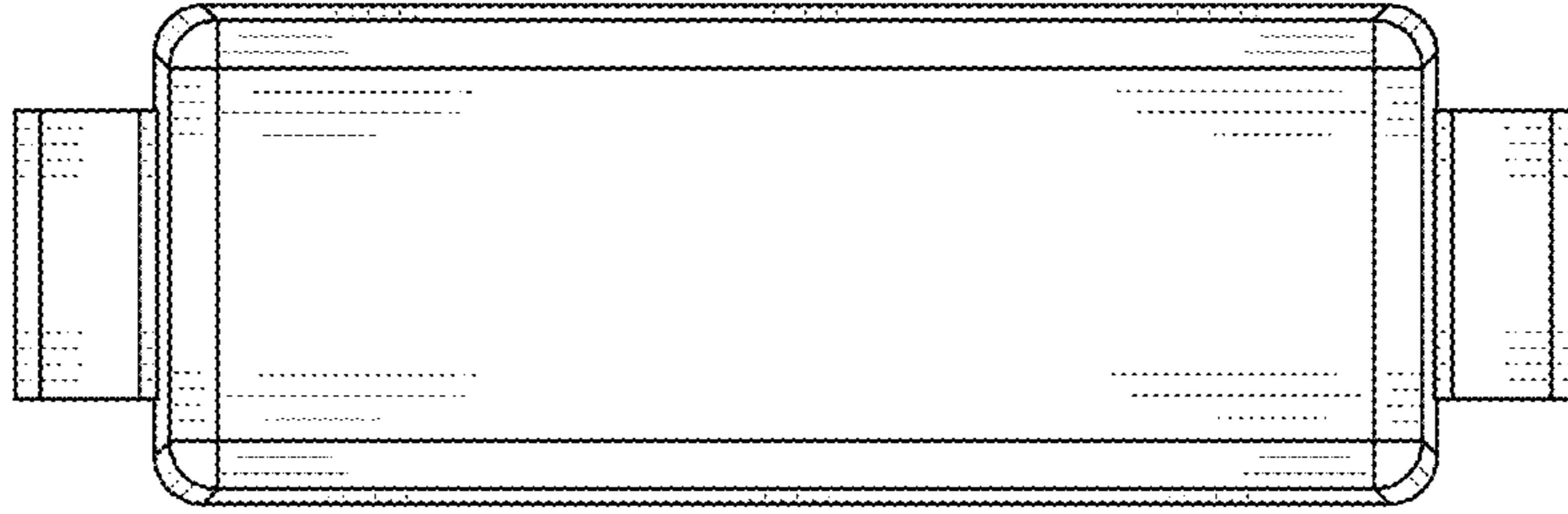


FIG. 7