

US00D890081S

(12) **United States Design Patent** (10) **Patent No.:** **US D890,081 S**  
**Liu** (45) **Date of Patent:** **\*\* Jul. 14, 2020**

(54) **TIRE**  
(71) Applicant: **Trademark, LLC**, La Mirada, CA (US)  
(72) Inventor: **Zhao Liu**, NanJing (CN)  
(73) Assignee: **Trademark, LLC**, La Mirada, CA (US)  
(\*\*) Term: **15 Years**  
(21) Appl. No.: **29/678,711**

D591,225 S 4/2009 Ashton et al.  
D594,401 S 6/2009 Guidry  
D597,474 S 8/2009 Yamakawa et al.  
D601,939 S 10/2009 Fontaine et al.  
D606,002 S 12/2009 Yamakawa et al.  
D610,532 S 2/2010 Brainerd, II et al.  
D610,975 S 3/2010 Osaka  
D610,976 S 3/2010 Osaka  
D610,977 S 3/2010 Osaka  
D612,321 S 3/2010 Bott et al.  
D612,797 S 3/2010 Lo  
D615,031 S 5/2010 Osaka

(Continued)

(22) Filed: **Jan. 30, 2019**  
(51) **LOC (12) Cl.** ..... **12-15**  
(52) **U.S. Cl.**  
USPC ..... **D12/579**  
(58) **Field of Classification Search**  
USPC ..... D12/579, 605  
See application file for complete search history.

OTHER PUBLICATIONS

Atturo Tyres, 2015 Catalog, Published in United States, 2015.  
Atturo Tires, 2017 Catalog, Published in United States, 2017.

*Primary Examiner* — Robert M. Spear  
(74) *Attorney, Agent, or Firm* — Akerman LLP; Peter A. Chiabotti; Brian Bianco

(56) **References Cited**  
U.S. PATENT DOCUMENTS

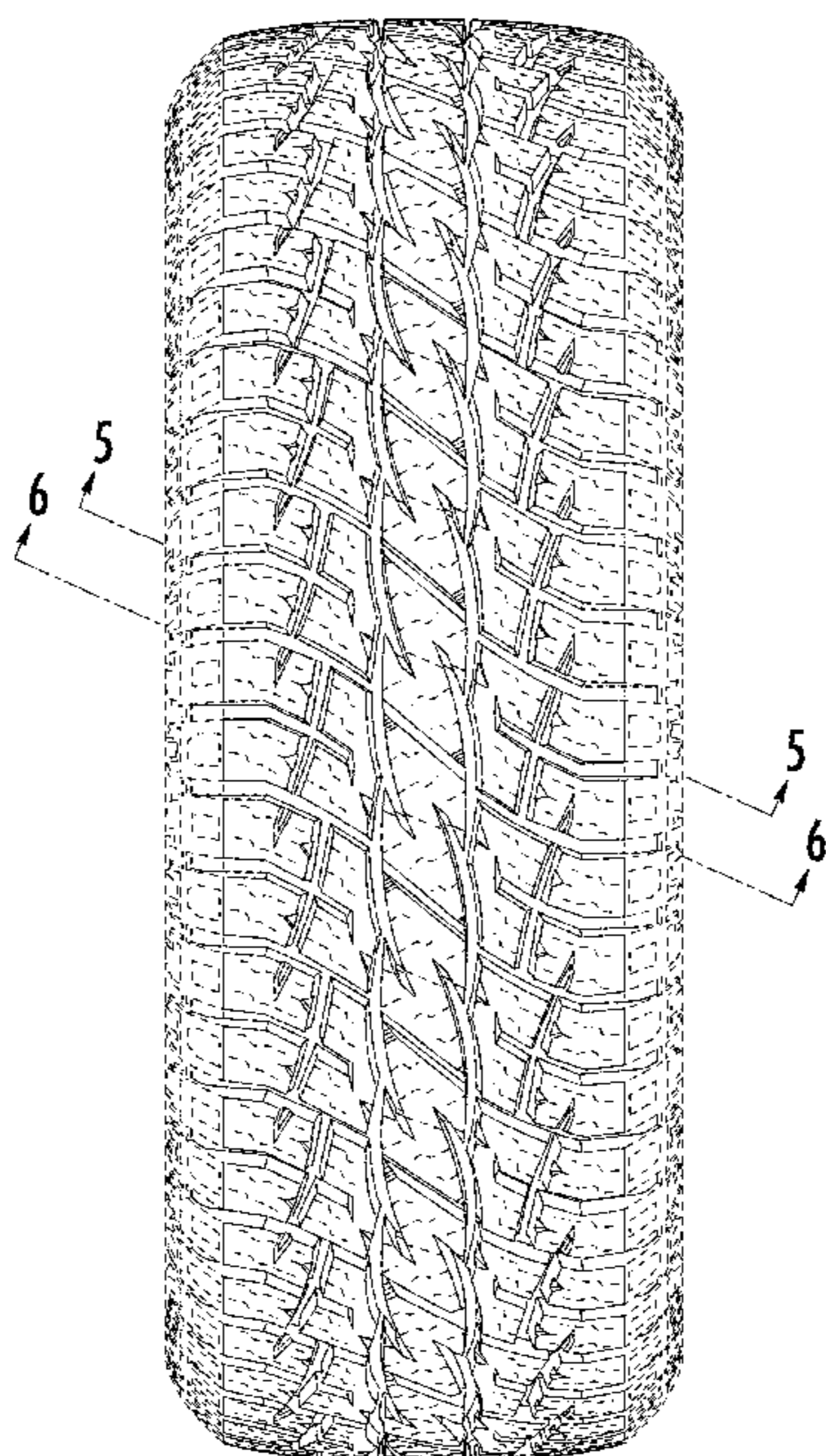
(57) **CLAIM**  
The ornamental design for a tire, as shown and described.

D157,953 S	4/1950	Hawkinson	
D158,031 S	4/1950	Wilcox	
D412,472 S	8/1999	Brown et al.	
D432,956 S	10/2000	Riquet	
D447,097 S	8/2001	Grass et al.	
D459,289 S	6/2002	Lo	
D469,737 S	2/2003	Guidry	
D483,718 S	12/2003	Hutz et al.	
D490,045 S	5/2004	Delu et al.	
D495,294 S	8/2004	Ochi et al.	
D505,386 S *	5/2005	Maxwell	D12/581
D530,266 S	10/2006	Hutz et al.	
D531,110 S	10/2006	Miyazaki et al.	
D549,155 S *	8/2007	Umstot	D12/512
D549,156 S *	8/2007	Umstot	D12/512
D558,664 S	1/2008	HerbeuVal et al.	
D563,311 S	3/2008	Brainerd, II et al.	
D580,347 S *	11/2008	Lo	D12/579

**DESCRIPTION**

FIG. 1 is a perspective view of the tire showing my new design;  
FIG. 2 is a side view thereof;  
FIG. 3 is a front view thereof;  
FIG. 4 is an enlarged front view thereof;  
FIG. 5 is an enlarged sectional view taken along line 5-5 of FIG. 3; and,  
FIG. 6 is an enlarged sectional view taken along line 6-6 of FIG. 3.  
The portions shown in broken lines form no part of the claimed design.

**1 Claim, 5 Drawing Sheets**



(56)

References Cited

U.S. PATENT DOCUMENTS

D626,910 S	11/2010	Bott et al.	
D634,261 S	3/2011	Schmalix et al.	
D638,354 S	5/2011	Strader et al.	
D643,805 S *	8/2011	Lundgren .....	D12/601
D648,668 S	11/2011	Kujime	
D650,322 S	12/2011	Takahashi	
D651,160 S	12/2011	Jacobs	
D653,195 S	1/2012	Sareen	
D653,200 S	1/2012	Kuwano	
D660,786 S	5/2012	Yokomakura	
D663,682 S	7/2012	Ohara	
D664,915 S	8/2012	Maxwell et al.	
D666,964 S	9/2012	Ishida et al.	
D667,360 S	9/2012	Ishida et al.	
D668,209 S	10/2012	De Benedittis et al.	
D676,801 S *	2/2013	Scheifele .....	D12/587
D696,182 S	12/2013	Sakamoto	
D710,291 S	8/2014	Mosko	
D712,820 S	9/2014	Hutz	
D716,217 S	10/2014	Rittweger	
D717,726 S	11/2014	Buchinger-Barnstorf	
D727,248 S	4/2015	Reim et al.	
D729,150 S	5/2015	Jacobs et al.	
D729,151 S	5/2015	Kim	
D729,724 S	5/2015	Mathis	
D730,272 S	5/2015	Fleckner	
D733,039 S	6/2015	Sareen	
D734,712 S	7/2015	Kuwano et al.	
D736,145 S	8/2015	Jacobs et al.	
D738,815 S	9/2015	Dixon et al.	
D743,878 S	11/2015	Mathis	
D744,415 S	12/2015	Kawaki et al.	
D755,112 S	3/2016	Jingjing et al.	
D753,583 S *	4/2016	Hao .....	D12/512
D753,584 S	4/2016	Mathis	
D758,285 S	6/2016	Wen et al.	
D763,786 S	8/2016	Mathis	
D765,019 S	8/2016	Chen et al.	
D767,474 S	9/2016	Reim et al.	
D768,054 S	10/2016	Wang et al.	
D768,065 S *	10/2016	Takahashi .....	D12/605
D768,564 S *	10/2016	Kuwano .....	D12/605
D769,181 S *	10/2016	Sato .....	D12/605
D769,793 S	10/2016	Haanketo et al.	
D769,794 S	10/2016	Kujime et al.	
D773,381 S	12/2016	Chen	
D774,447 S	12/2016	Mathis	
D775,065 S	12/2016	Hanlon	
D777,652 S	1/2017	Lippert et al.	
D777,655 S	1/2017	Martin	
D778,230 S	2/2017	Haanketo et al.	
D778,233 S	2/2017	Kuwano	
D778,814 S *	2/2017	Sato .....	D12/605
D780,091 S	2/2017	Colletti et al.	
D780,103 S	2/2017	Sareen	
D781,226 S	3/2017	Mathis	
D782,970 S *	4/2017	Sato .....	D12/605
D784,910 S	4/2017	Hayashi	
D784,911 S	4/2017	Hayashi	
D784,912 S	4/2017	Hayashi	
D785,544 S	5/2017	Hayashi	
D786,176 S	5/2017	Colletti et al.	
D786,776 S	5/2017	Aoki	
D786,784 S	5/2017	Mathis	
D789,280 S	6/2017	Sanae	
D791,684 S	7/2017	Takei et al.	
D792,323 S	7/2017	Colletti et al.	
D795,149 S	8/2017	Digman et al.	
D795,163 S	8/2017	Digman et al.	
D798,224 S	9/2017	Zhang et al.	
D799,415 S *	10/2017	Sato .....	D12/605
D799,416 S	10/2017	Sato	
D800,638 S	10/2017	Kwak	
D804,404 S	12/2017	Shondel	
D805,469 S	12/2017	Sato et al.	
D806,006 S	12/2017	Ronan et al.	
D806,641 S	1/2018	Fujioka	
D811,319 S *	2/2018	Haas .....	D12/579
D815,583 S	4/2018	Iwamura	
D815,586 S	4/2018	Sareen	
D815,591 S	4/2018	Rogers et al.	
D816,020 S	4/2018	Umstot et al.	
D821,294 S	6/2018	Franklin et al.	
D826,144 S	8/2018	Ishigaki	
D827,562 S	9/2018	Rogers et al.	
D833,381 S	11/2018	Fujioka	
D838,660 S *	1/2019	Hiser .....	D12/579
D842,335 S	3/2019	Shondel	
D848,942 S *	5/2019	Scheifele .....	D12/605
D852,733 S *	7/2019	Kuwano .....	D12/605
D862,373 S *	10/2019	Zhao .....	D12/579

\* cited by examiner



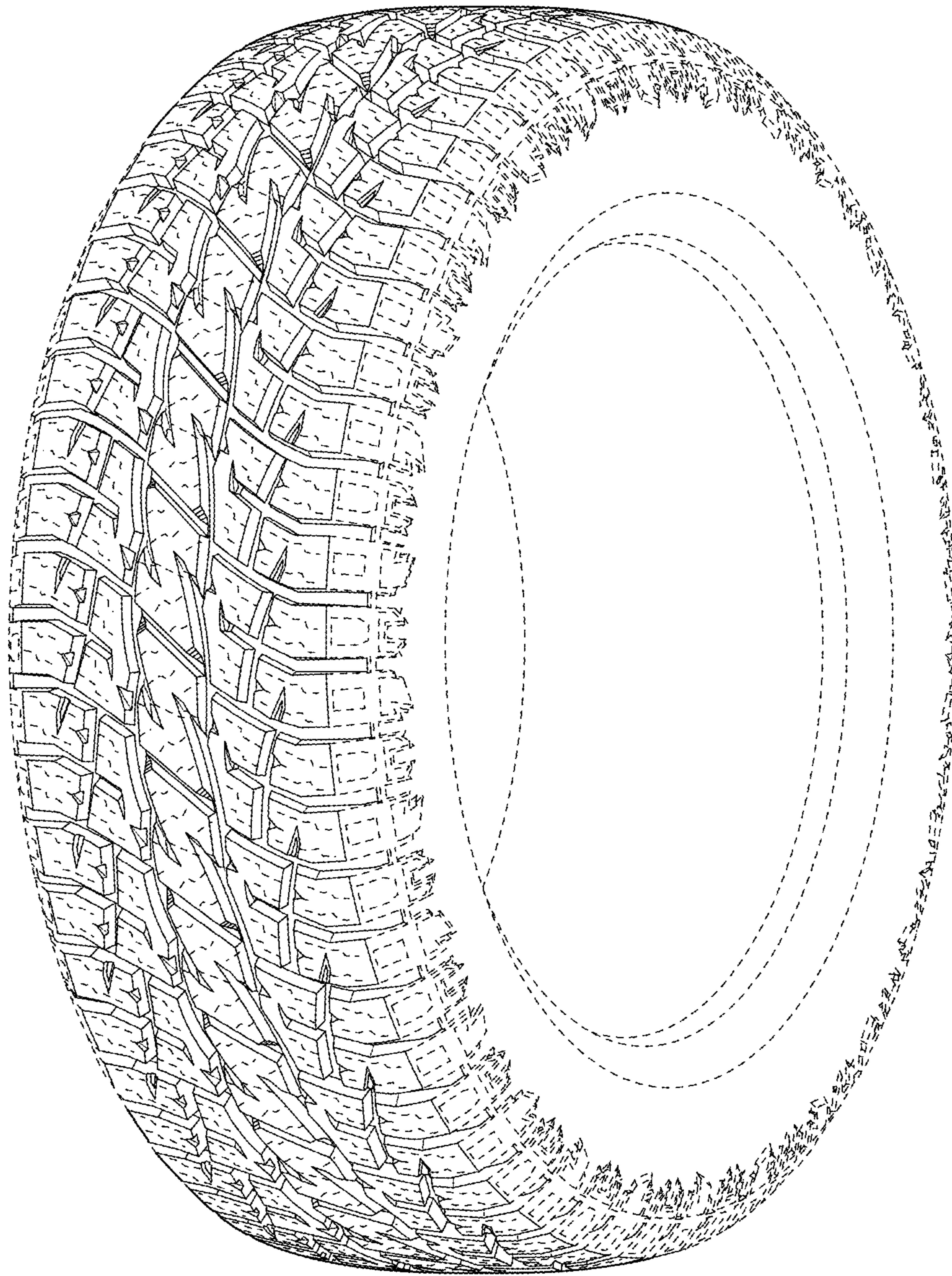


FIG. 1

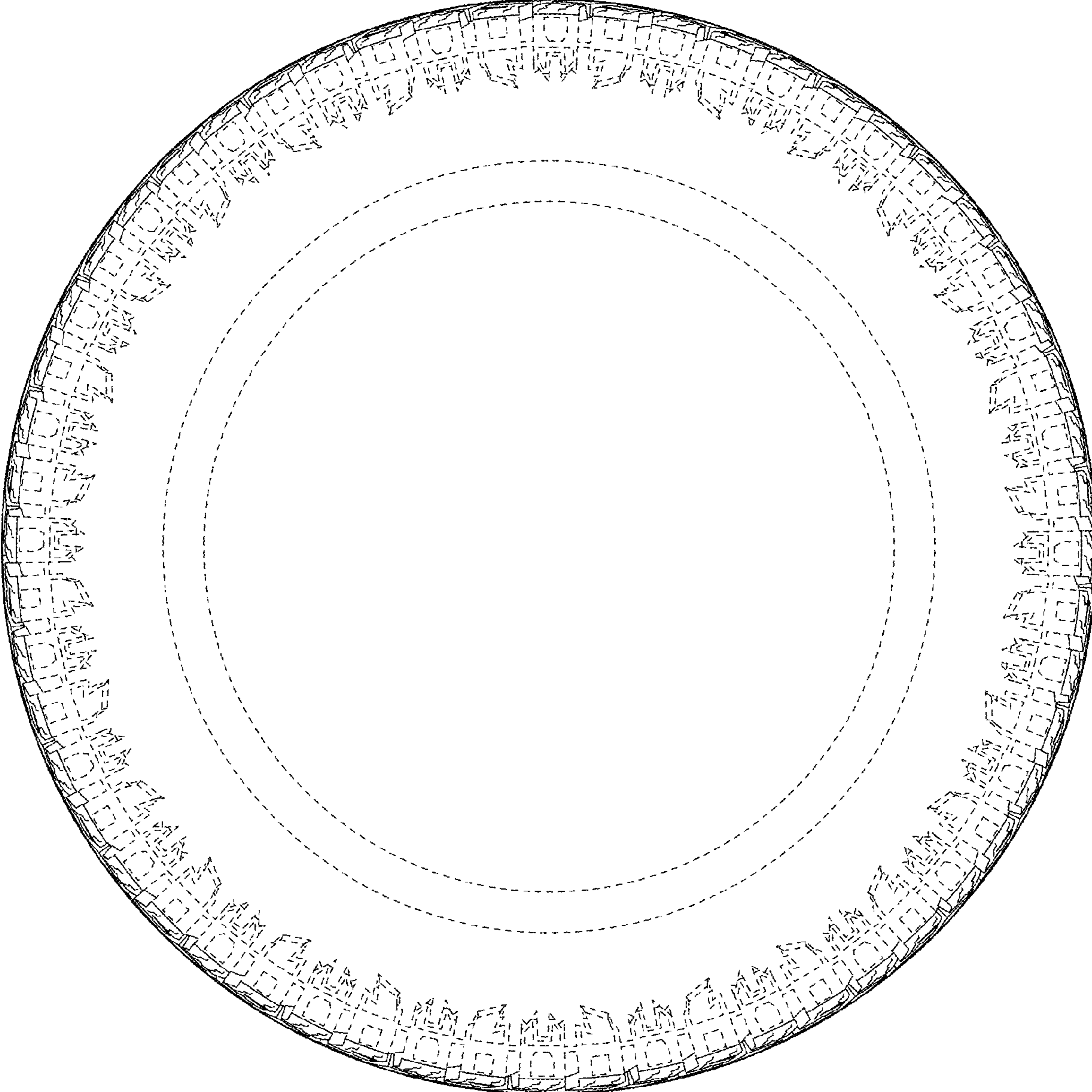


FIG. 2



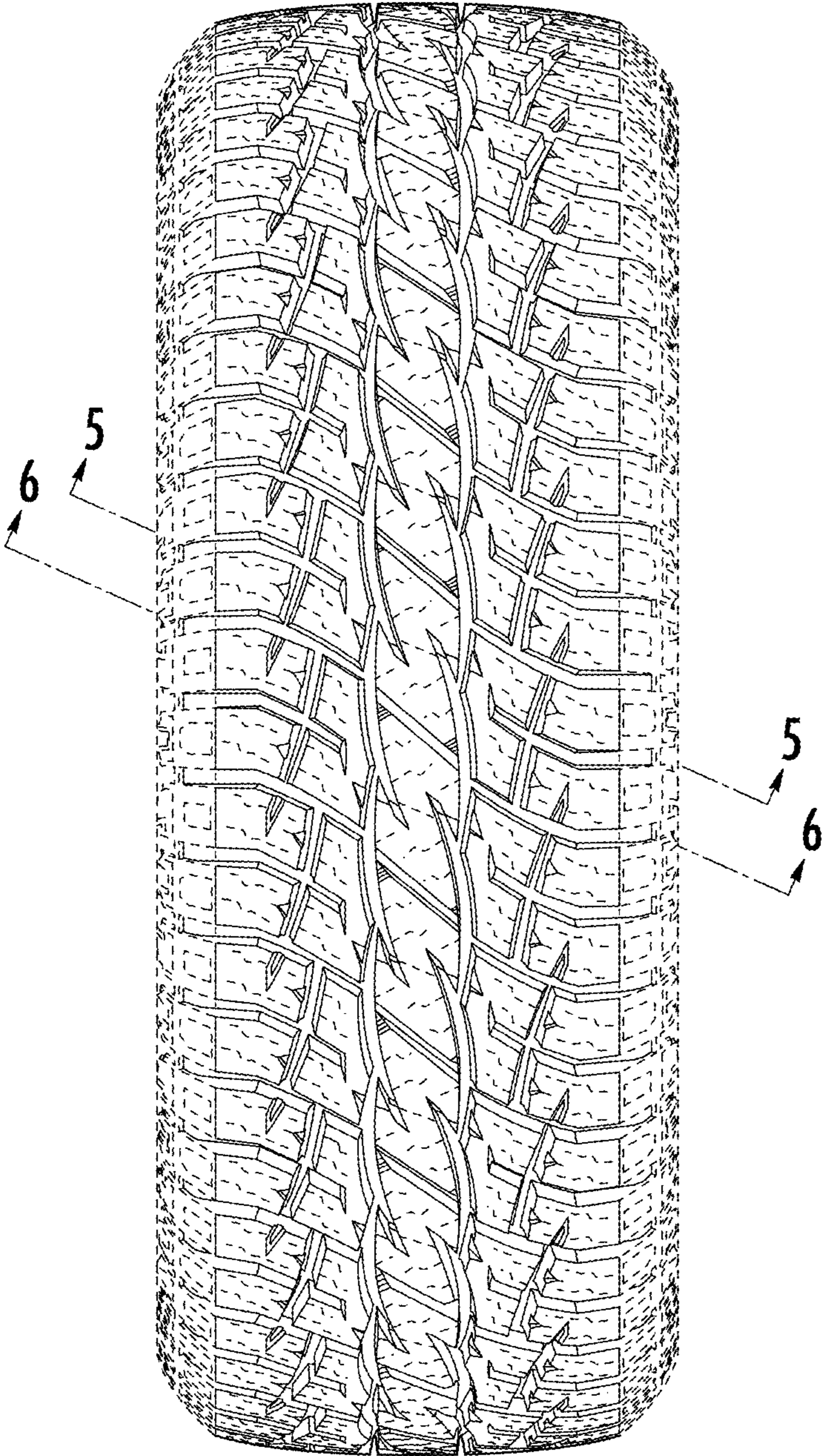
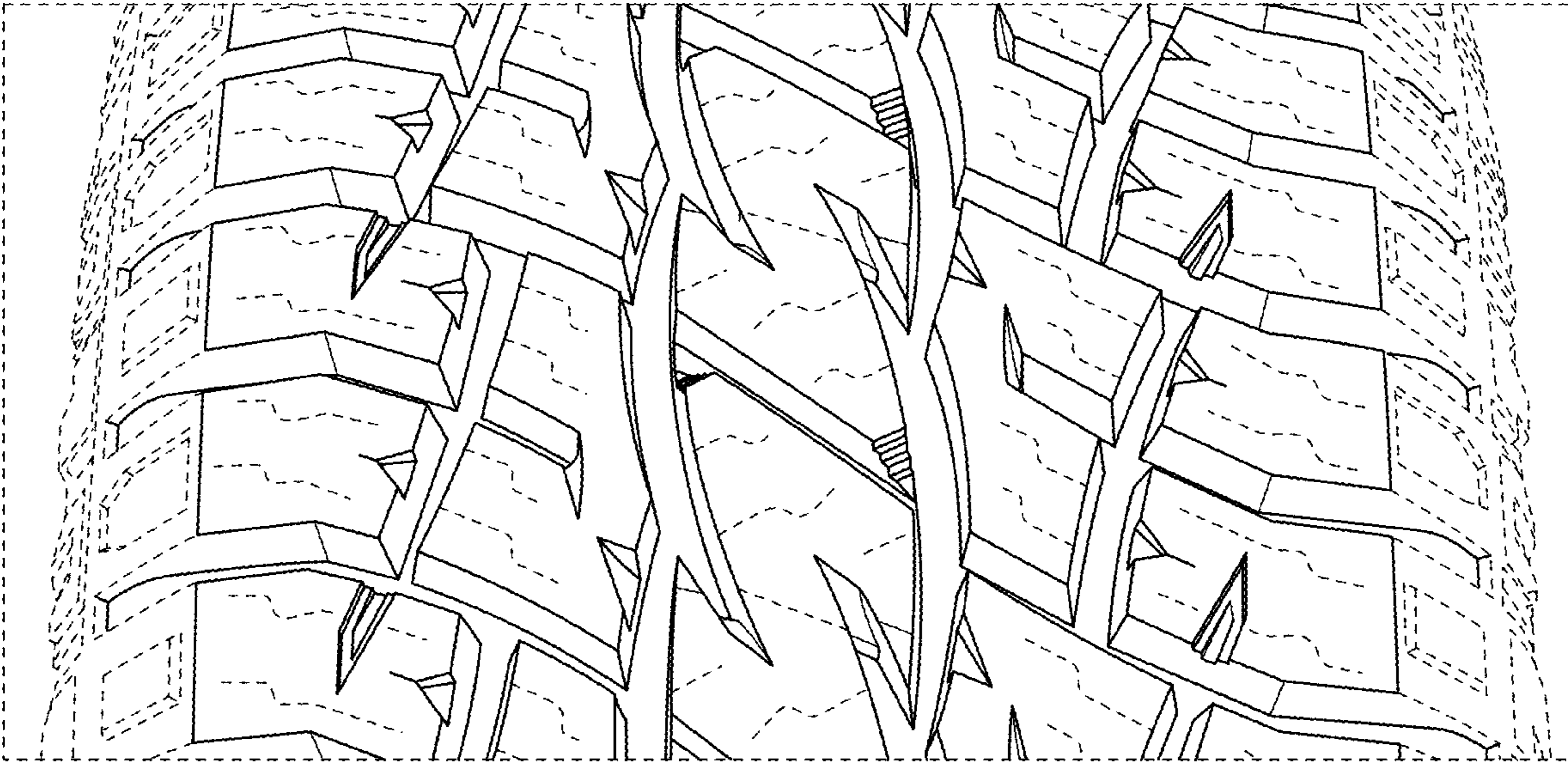
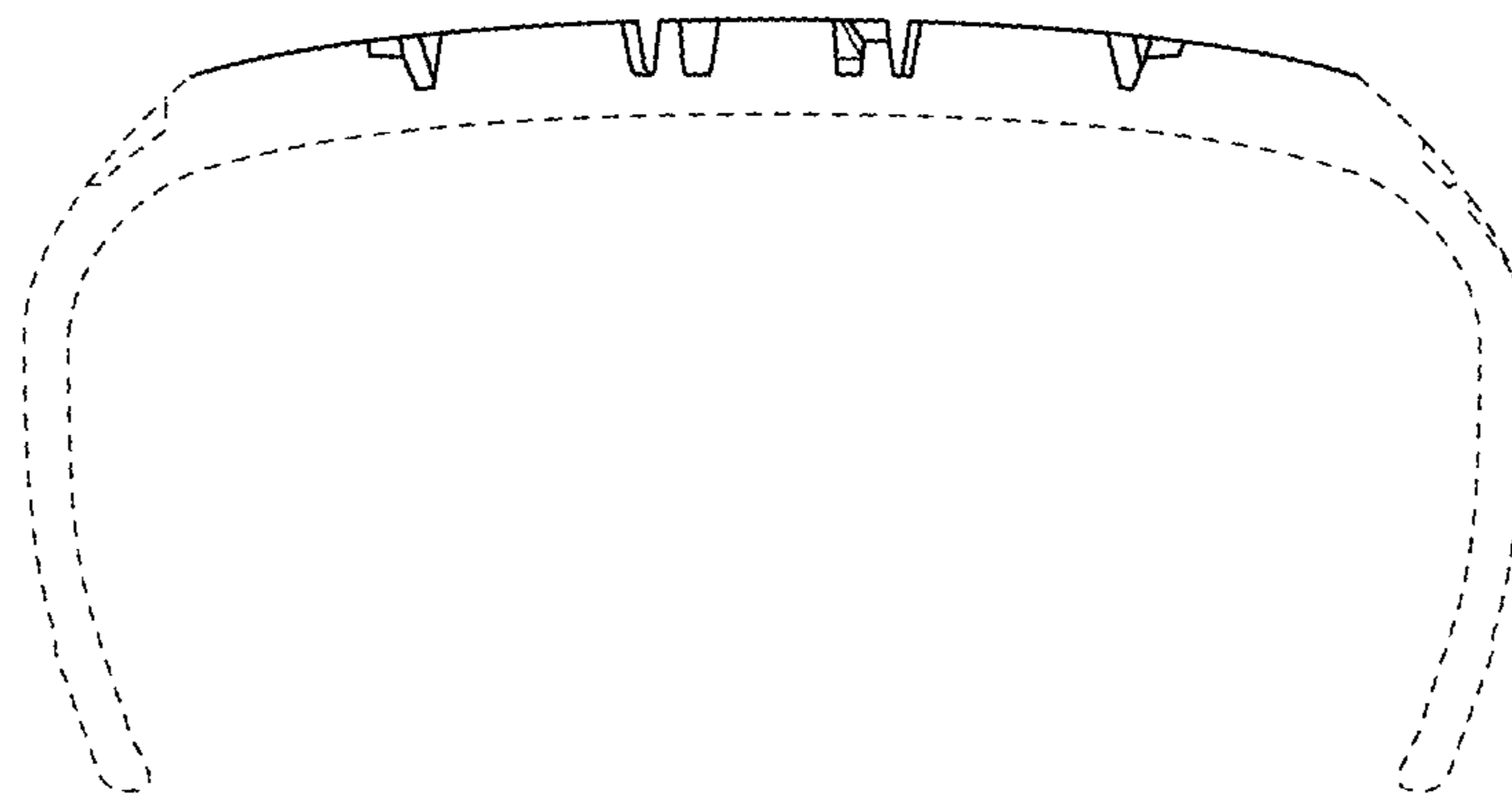


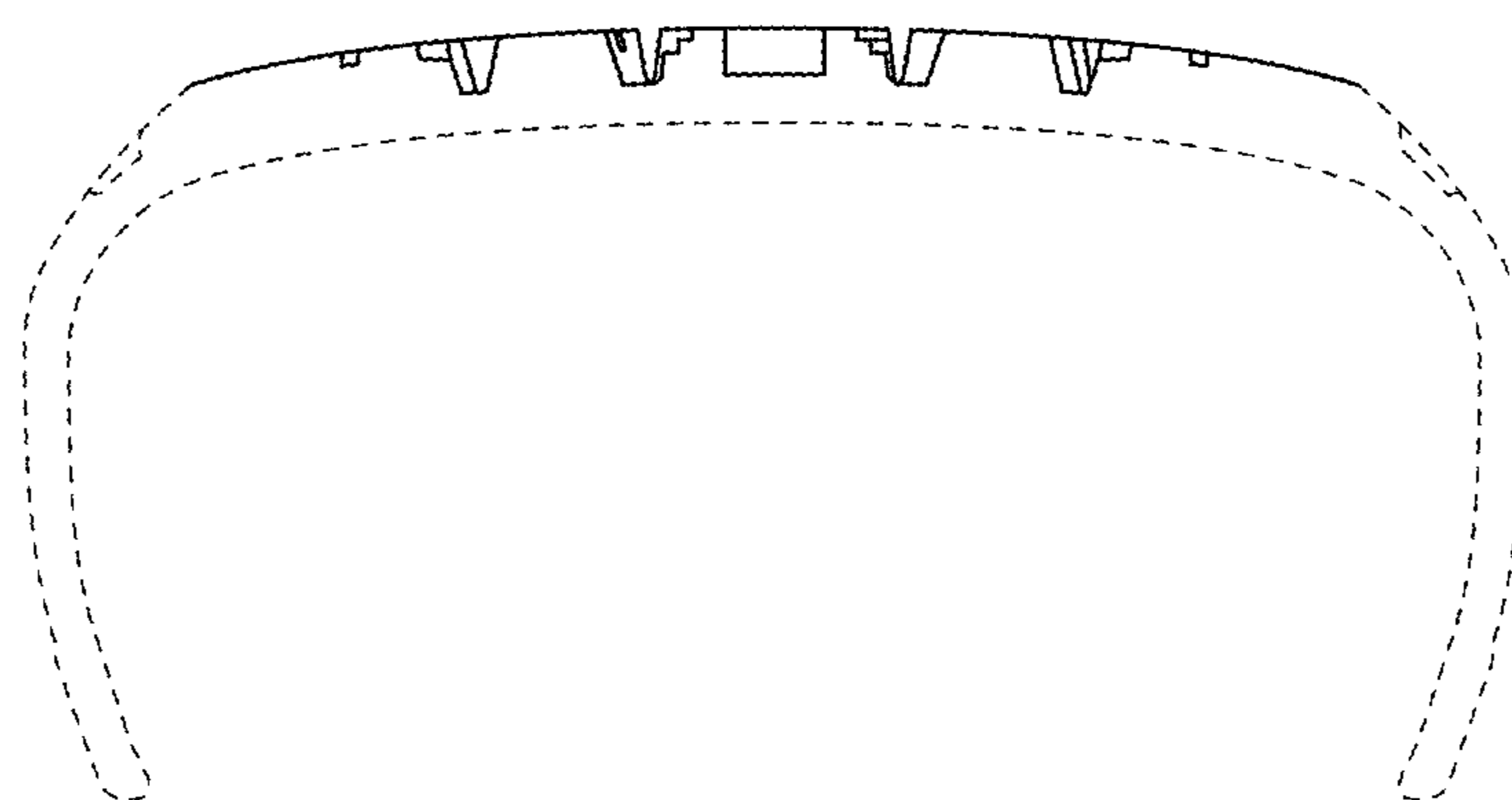
FIG. 3



**FIG. 4**



**FIG. 5**



**FIG. 6**