

US00D890080S

(12) **United States Design Patent** (10) **Patent No.:** **US D890,080 S**
Liu (45) **Date of Patent:** **** Jul. 14, 2020**

(54) **TIRE**
(71) Applicant: **Trademark, LLC**, La Mirada, CA (US)
(72) Inventor: **Zhao Liu**, NanJing (CN)
(73) Assignee: **Trademark, LLC**, La Mirada, CA (US)
(**) Term: **15 Years**
(21) Appl. No.: **29/678,705**

D577,331 S * 9/2008 Ochi D12/605
D580,347 S * 11/2008 Lo D12/579
D591,225 S 4/2009 Ashton et al.
D594,401 S 6/2009 Guidry
D597,474 S 8/2009 Yamakawa et al.
D601,939 S 10/2009 Fontaine et al.
D606,002 S 12/2009 Yamakawa et al.
D610,532 S 2/2010 Brainerd, II et al.
D610,975 S 3/2010 Osaka
D610,976 S 3/2010 Osaka
D610,977 S 3/2010 Osaka
D612,321 S 3/2010 Bott et al.

(Continued)

(22) Filed: **Jan. 30, 2019**
(51) **LOC (12) Cl.** **12-15**
(52) **U.S. Cl.**
USPC **D12/579**
(58) **Field of Classification Search**
USPC D12/579, 605
See application file for complete search history.

OTHER PUBLICATIONS

Atturo Tyres, 2015 Catalog, Published in United States, 2015.
Atturo Tires, 2017 Catalog, Published in United States, 2017.

Primary Examiner — Robert M. Spear
(74) *Attorney, Agent, or Firm* — Akerman LLP; Peter A. Chiabotti; Brian Bianco

(56) **References Cited**
U.S. PATENT DOCUMENTS

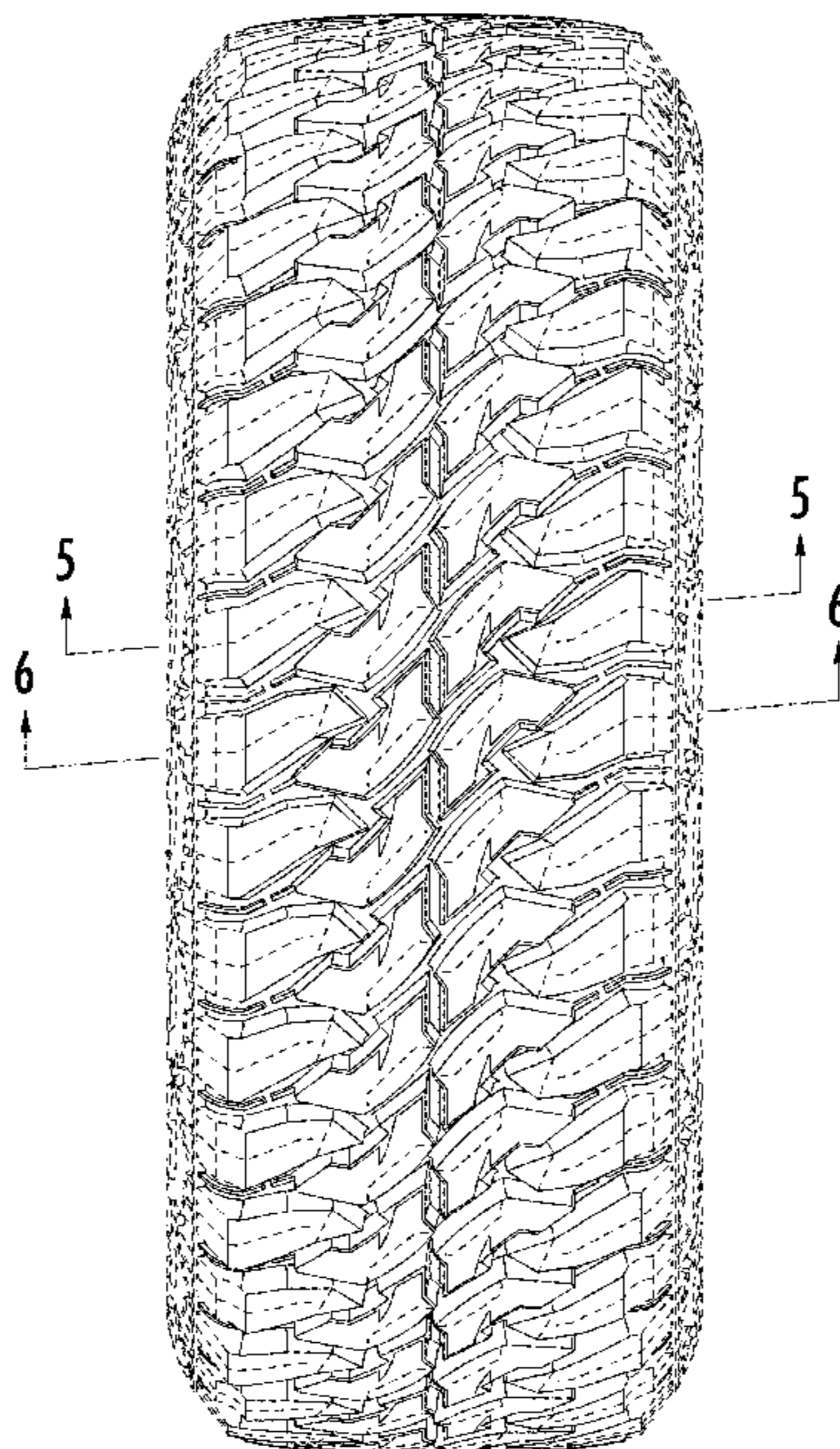
D157,953 S 4/1950 Hawkinson
D158,031 S 4/1950 Wilcox
D207,571 S * 5/1967 Ueno D12/605
D412,472 S 8/1999 Brown et al.
D432,956 S 10/2000 Riquet
D447,097 S 8/2001 Grass et al.
D459,289 S 6/2002 Lo
D469,737 S 2/2003 Guidry
D483,718 S 12/2003 Hutz et al.
D490,045 S 5/2004 Delu et al.
D495,294 S 8/2004 Ochi et al.
D504,388 S * 4/2005 Umstot D12/551
D530,266 S 10/2006 Hutz et al.
D531,110 S 10/2006 Miyazaki et al.
D558,664 S 1/2008 HerbeuVal et al.
D563,311 S 3/2008 Brainerd, II et al.
D563,312 S * 3/2008 Brainerd, II D12/605
D575,728 S * 8/2008 Harvey D12/605

(57) **CLAIM**
The ornamental design for a tire, as shown and described.

DESCRIPTION

FIG. 1 is a perspective view of the tire showing my new design;
FIG. 2 is a side view thereof;
FIG. 3 is a front view thereof;
FIG. 4 is an enlarged front view thereof;
FIG. 5 is an enlarged sectional view taken along line 5-5 of FIG. 3; and,
FIG. 6 is an enlarged sectional view taken along line 6-6 of FIG. 3.
The portions shown in broken lines form no part of the claimed design.

1 Claim, 5 Drawing Sheets



(56)

References Cited

U.S. PATENT DOCUMENTS

D612,797 S	3/2010	Lo		D775,065 S	12/2016	Hanlon	
D615,031 S	5/2010	Osaka		D776,605 S *	1/2017	Lo	D12/579
D626,910 S	11/2010	Bott et al.		D777,652 S	1/2017	Lipped et al.	
D634,261 S	3/2011	Schmalix et al.		D777,655 S	1/2017	Martin	
D638,354 S	5/2011	Strader et al.		D778,230 S	2/2017	Haanketo et al.	
D647,045 S *	10/2011	Lo	D12/605	D778,233 S	2/2017	Kuwano	
D648,668 S	11/2011	Kujime		D780,091 S	2/2017	Colletti et al.	
D650,322 S	12/2011	Takahashi		D780,096 S *	2/2017	Wu	D12/600
D651,160 S	12/2011	Jacobs		D780,098 S *	2/2017	Sareen	D12/579
D653,195 S *	1/2012	Sareen	D12/579	D780,103 S	2/2017	Sareen	
D653,200 S	1/2012	Kuwano		D781,226 S	3/2017	Mathis	
D660,786 S	5/2012	Yokomakura		D784,910 S	4/2017	Hayashi	
D663,682 S	7/2012	Ohara		D784,911 S	4/2017	Hayashi	
D664,915 S	8/2012	Maxwell et al.		D784,912 S	4/2017	Hayashi	
D666,964 S	9/2012	Ishida et al.		D785,544 S	5/2017	Hayashi	
D667,360 S	9/2012	Ishida et al.		D786,176 S	5/2017	Colletti et al.	
D668,209 S	10/2012	De Benedittis et al.		D786,776 S	5/2017	Aoki	
D696,182 S	12/2013	Sakamoto		D786,784 S *	5/2017	Mathis	D12/579
D710,291 S	8/2014	Mosko		D789,280 S	6/2017	Sanae	
D712,820 S	9/2014	Hutz		D791,684 S	7/2017	Takei et al.	
D716,217 S	10/2014	Rittweger		D792,323 S	7/2017	Colletti et al.	
D717,726 S	11/2014	Buchinger-Barnstorf		D795,149 S	8/2017	Digman et al.	
D727,248 S	4/2015	Reim et al.		D795,163 S	8/2017	Digman et al.	
D729,150 S	5/2015	Jacobs et al.		D797,037 S *	9/2017	Lo	D12/579
D729,151 S *	5/2015	Kim	D12/579	D798,224 S	9/2017	Zhang et al.	
D729,724 S	5/2015	Mathis		D799,416 S	10/2017	Sato	
D730,272 S	5/2015	Fleckner		D800,638 S	10/2017	Kwak	
D733,039 S *	6/2015	Sareen	D12/579	D804,404 S	12/2017	Shondel	
D734,712 S	7/2015	Kuwano et al.		D805,469 S	12/2017	Sato et al.	
D736,145 S	8/2015	Jacobs et al.		D806,006 S	12/2017	Ronan et al.	
D738,815 S	9/2015	Dixon et al.		D806,641 S	1/2018	Fujioka	
D743,878 S	11/2015	Mathis		D810,669 S *	2/2018	Johnson	D12/579
D744,415 S	12/2015	Kawaki et al.		D811,320 S *	2/2018	Kuwahara	D12/602
D755,112 S	3/2016	Jingjing et al.		D815,583 S	4/2018	Iwamura	
D753,584 S	4/2016	Mathis		D815,586 S	4/2018	Sareen	
D758,285 S	6/2016	Wen et al.		D815,591 S *	4/2018	Rogers	D12/605
D763,786 S	8/2016	Mathis		D816,020 S	4/2018	Umstot et al.	
D765,019 S	8/2016	Chen et al.		D821,294 S	6/2018	Franklin et al.	
D767,474 S	9/2016	Reim et al.		D826,144 S	8/2018	Ishigaki	
D768,054 S	10/2016	Wang et al.		D827,562 S	9/2018	Rogers et al.	
D769,793 S	10/2016	Haanketo et al.		D832,197 S *	10/2018	Guo	D12/579
D769,794 S	10/2016	Kujime et al.		D833,381 S	11/2018	Fujioka	
D773,381 S	12/2016	Chen		D842,335 S	3/2019	Shondel	
D774,447 S	12/2016	Mathis		D854,495 S *	7/2019	Mishima	D12/605
				D859,297 S *	9/2019	Liu	D12/579

* cited by examiner

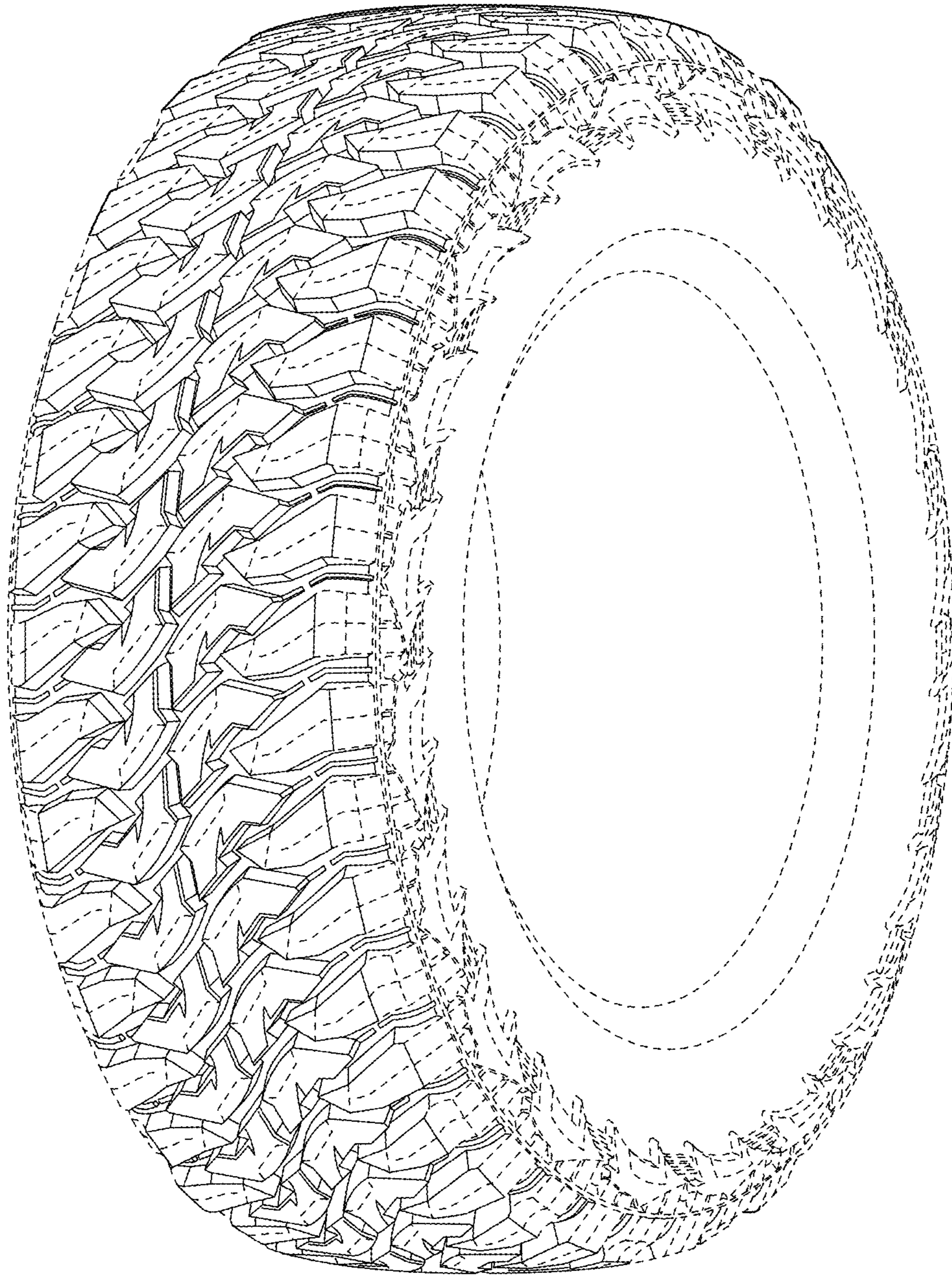


FIG. 1

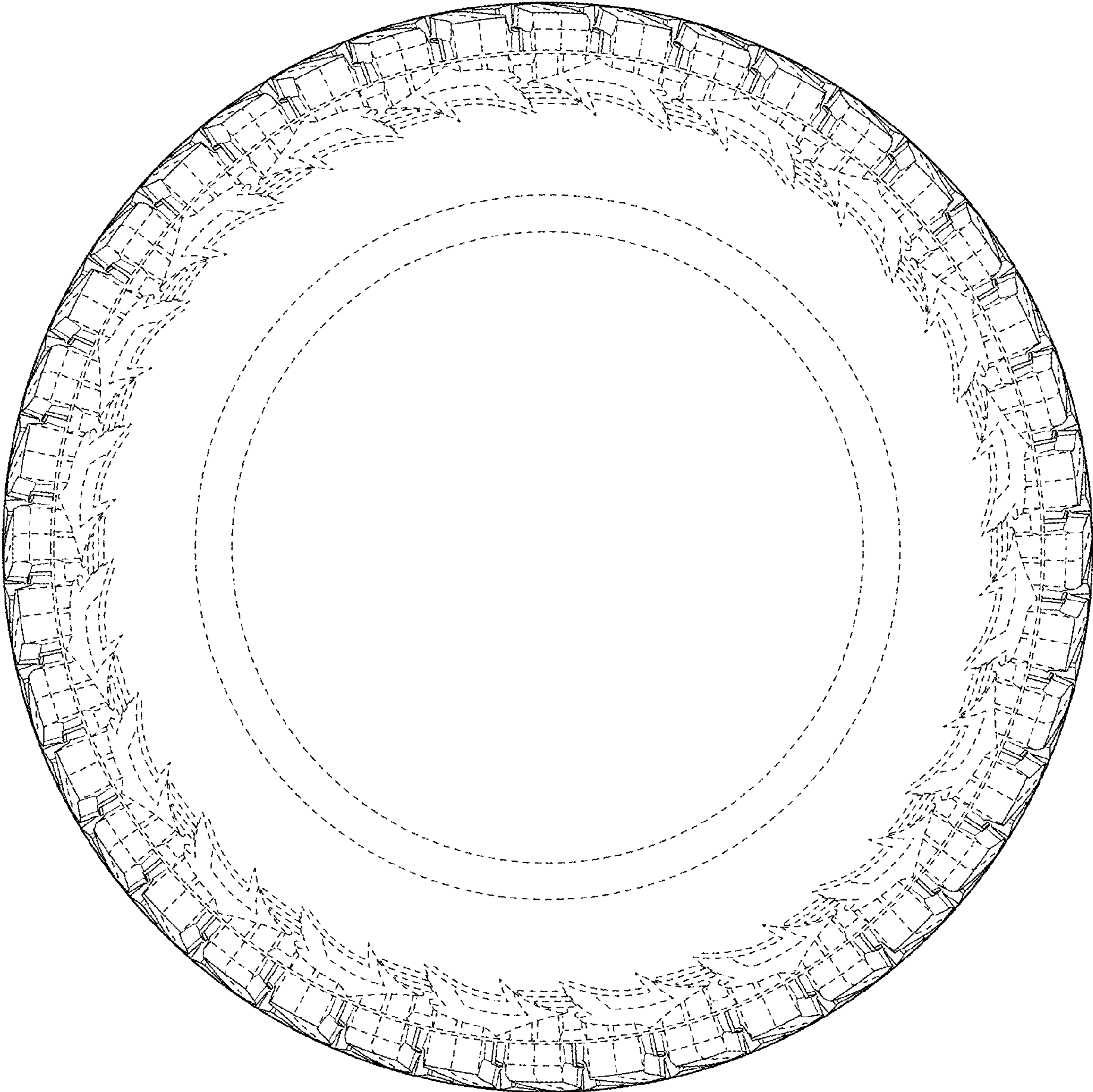


FIG. 2

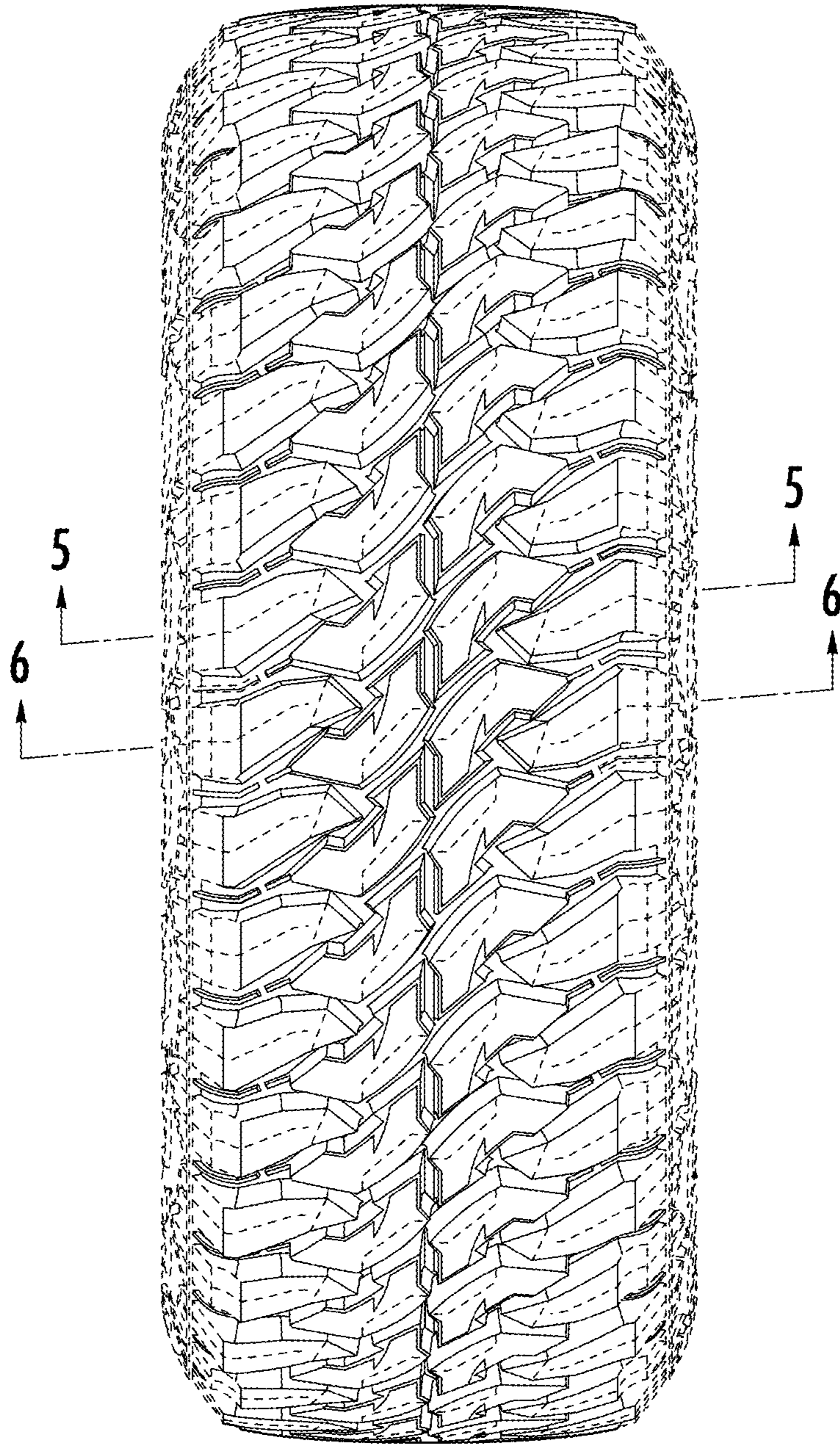


FIG. 3

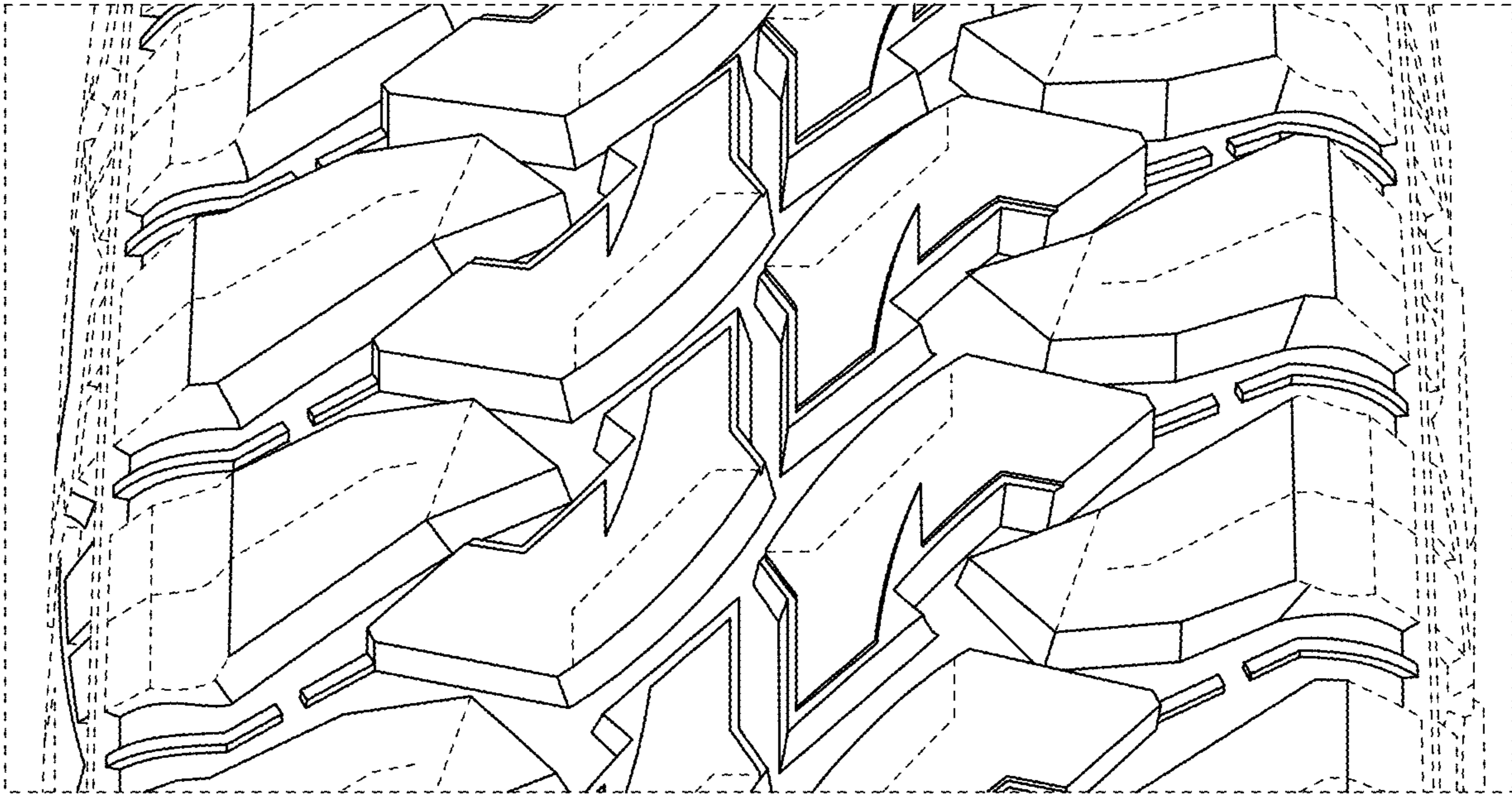


FIG. 4

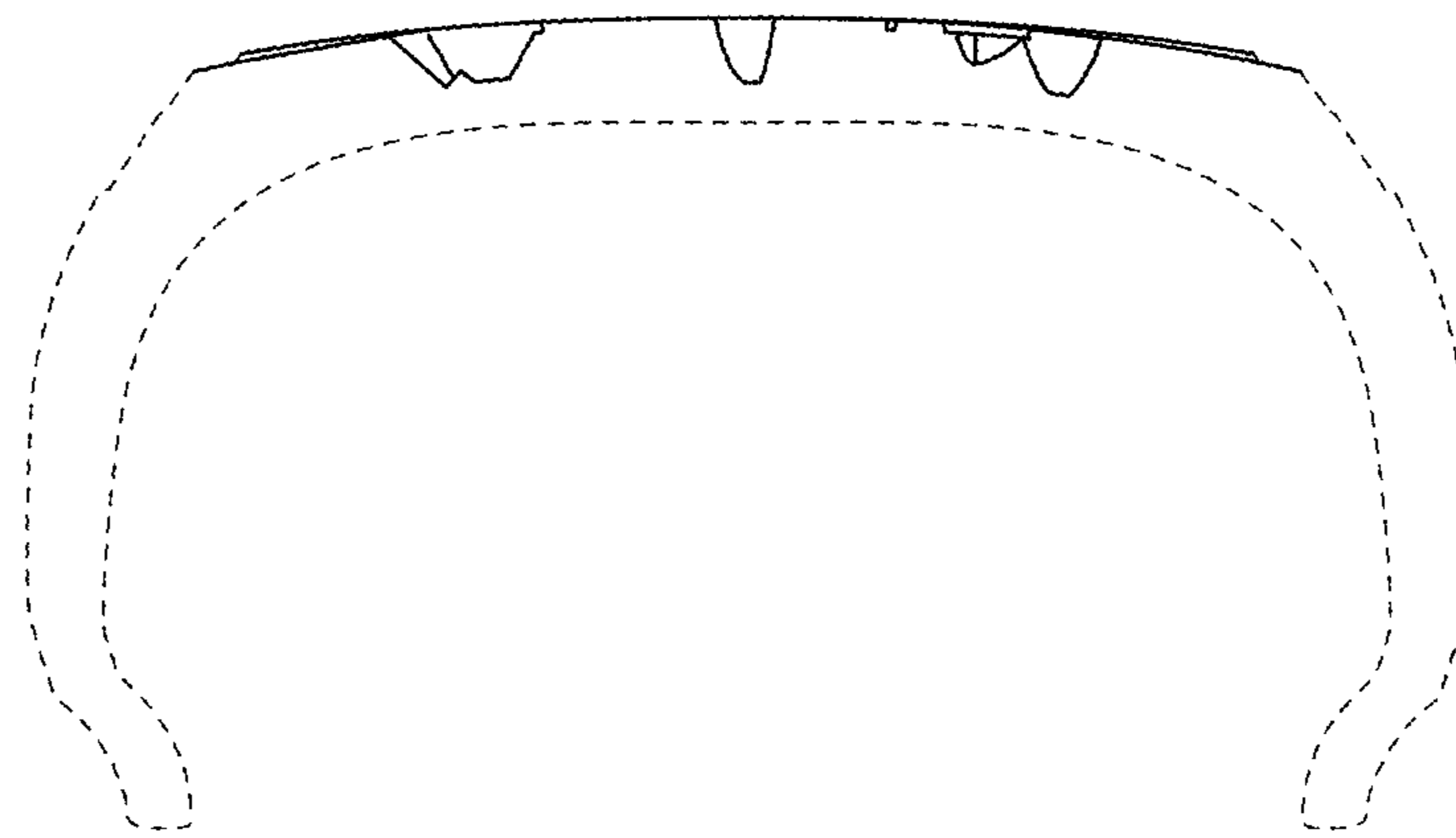


FIG. 5

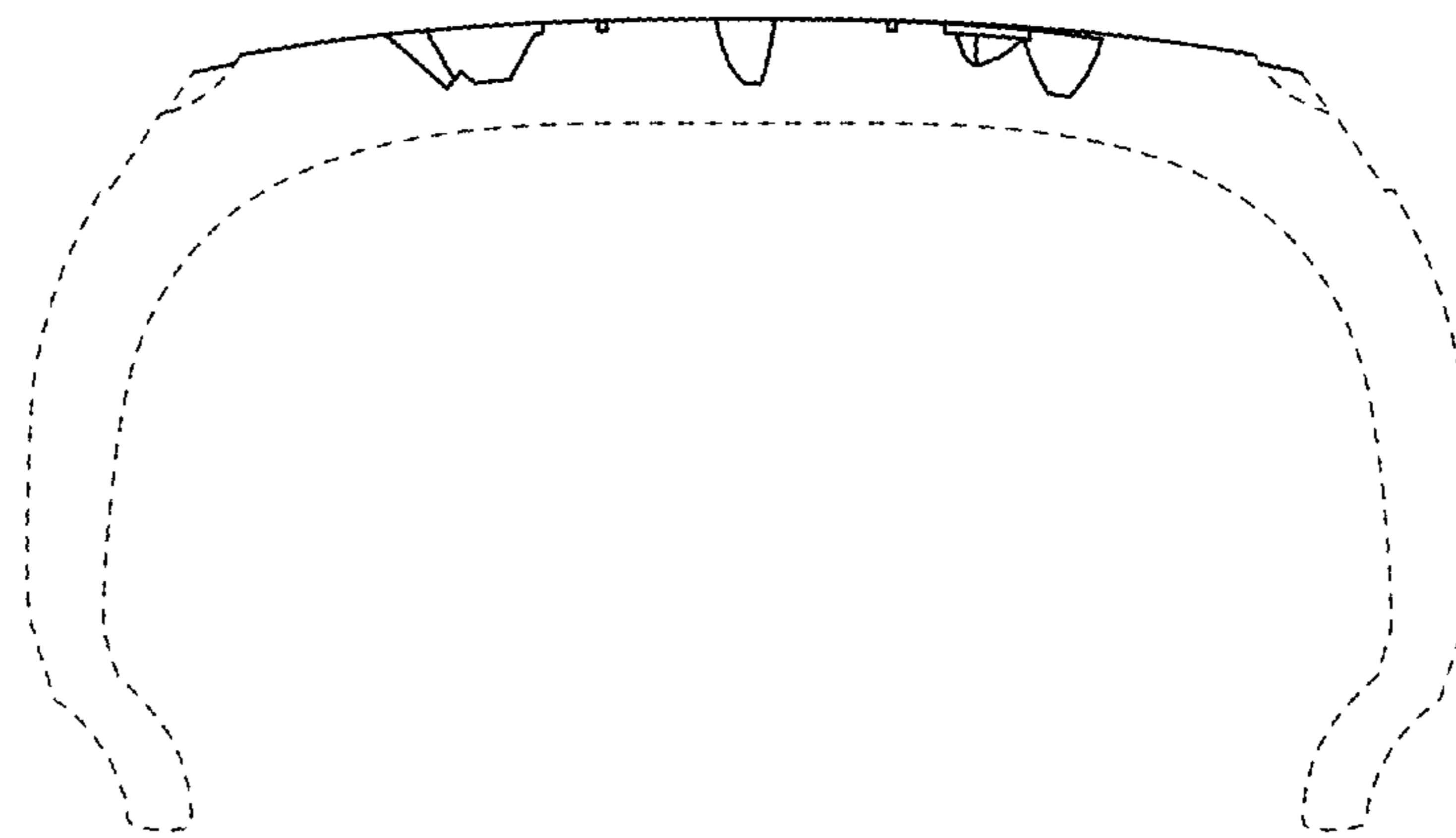


FIG. 6