



US00D890079S

(12) **United States Design Patent**
Chen

(10) **Patent No.:** **US D890,079 S**
(45) **Date of Patent:** **** Jul. 14, 2020**

(54) **CAR STORAGE ORGANIZER BOX**

D875,029 S * 2/2020 Ma D12/422
D882,489 S * 4/2020 Ninov D12/423
2003/0127480 A1* 7/2003 Hirota B60R 7/043
224/275

(71) Applicant: **shenzhen wei shu ke ji you xian gong si**, Shenzhen (CN)

(72) Inventor: **Liang Chen**, Shenzhen (CN)

(73) Assignee: **shenzhen wei shu ke ji you xian gong si**, Shenzhen (CN)

(**) Term: **15 Years**

(21) Appl. No.: **29/726,872**

(22) Filed: **Mar. 6, 2020**

(51) **LOC (12) Cl.** **12-16**

(52) **U.S. Cl.**
USPC **D12/423**

(58) **Field of Classification Search**
USPC D12/423, 434, 421, 192, 400, 190
CPC B60R 7/00; B65D 85/68
See application file for complete search history.

(56) **References Cited**

U.S. PATENT DOCUMENTS

D391,223 S * 2/1998 Lucas, Jr. D12/424
D494,535 S * 8/2004 McCoy D12/423
D495,989 S * 9/2004 Kohara D12/424
D540,738 S * 4/2007 Hatch D12/415
D634,698 S * 3/2011 Saint-Jalmes D12/345
D746,213 S * 12/2015 Castanha D12/345
D830,949 S * 10/2018 D'Halluin D12/415
D846,482 S * 4/2019 Wu D12/425
D860,110 S * 9/2019 Long D12/345
D867,970 S * 11/2019 Yang D12/423

FOREIGN PATENT DOCUMENTS

EM 003795442-0001 4/2017

* cited by examiner

Primary Examiner — Katrina A Betton

(74) *Attorney, Agent, or Firm* — ScienBiziP, P.C.

(57) **CLAIM**

The ornamental design for a car storage organizer box, as shown and described.

DESCRIPTION

FIG. 1 is a front perspective view of a car storage organizer box showing my design.

FIG. 2 is a bottom rear perspective view of the car storage organizer box.

FIG. 3 is a front elevation view thereof.

FIG. 4 is a rear elevation view thereof.

FIG. 5 is a left side elevation view thereof.

FIG. 6 is a right side elevation view thereof.

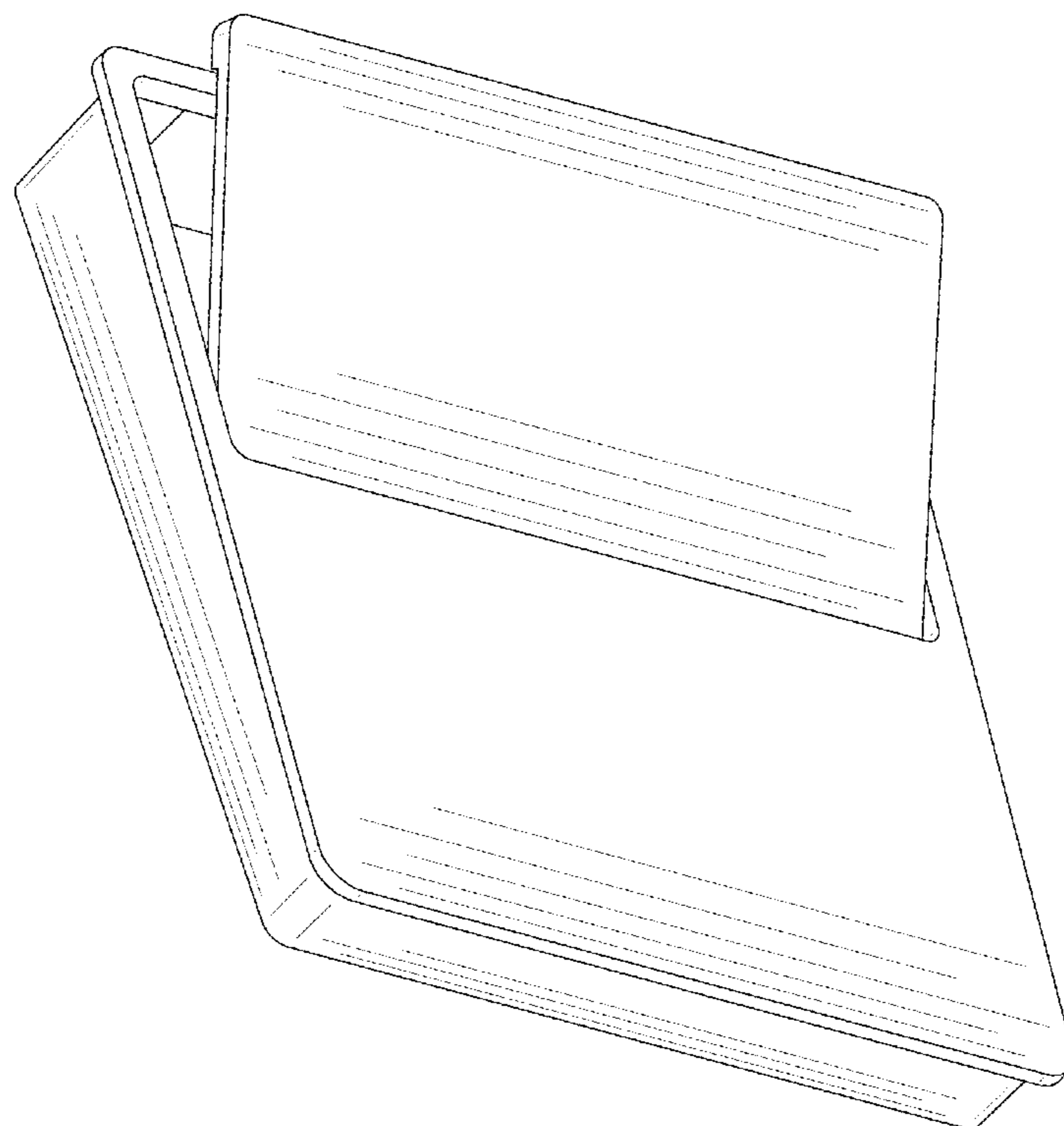
FIG. 7 is a top plan view thereof.

FIG. 8 is a bottom plan view thereof.

FIG. 9 is a perspective view thereof wherein a cover plate is in an open position; and,

FIG. 10 is a bottom perspective, exploded view thereof.

1 Claim, 10 Drawing Sheets



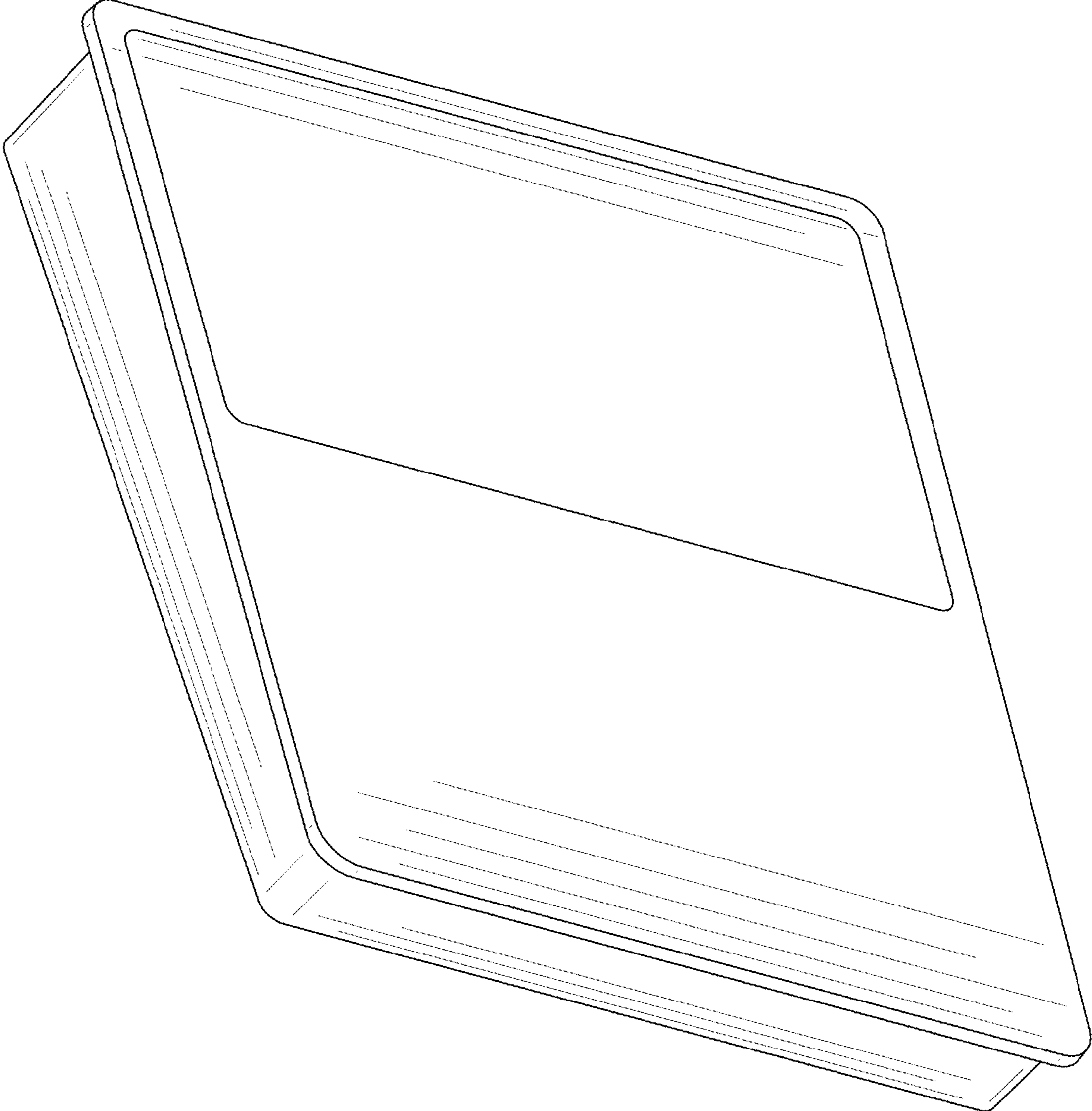


FIG. 1

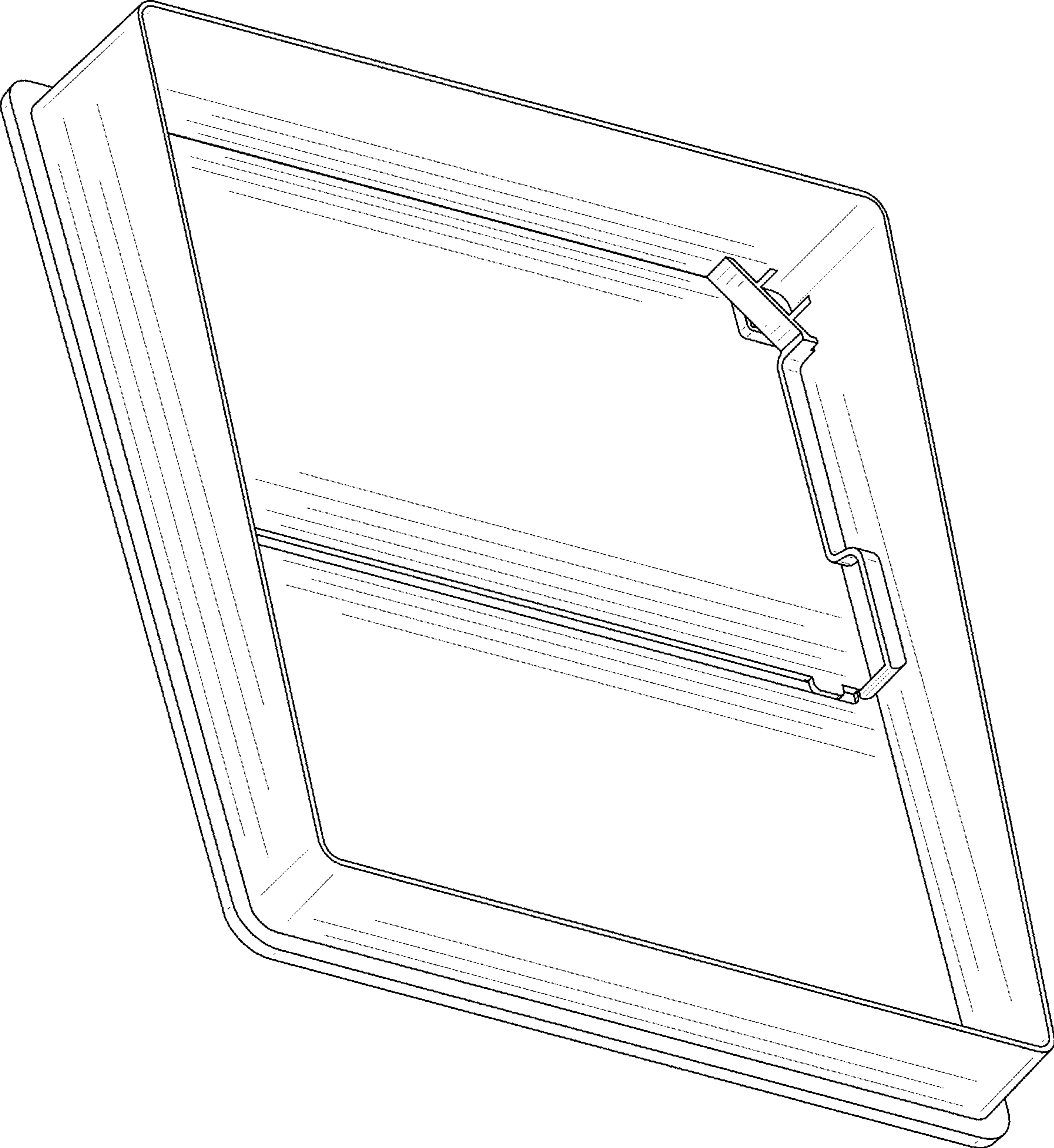


FIG. 2

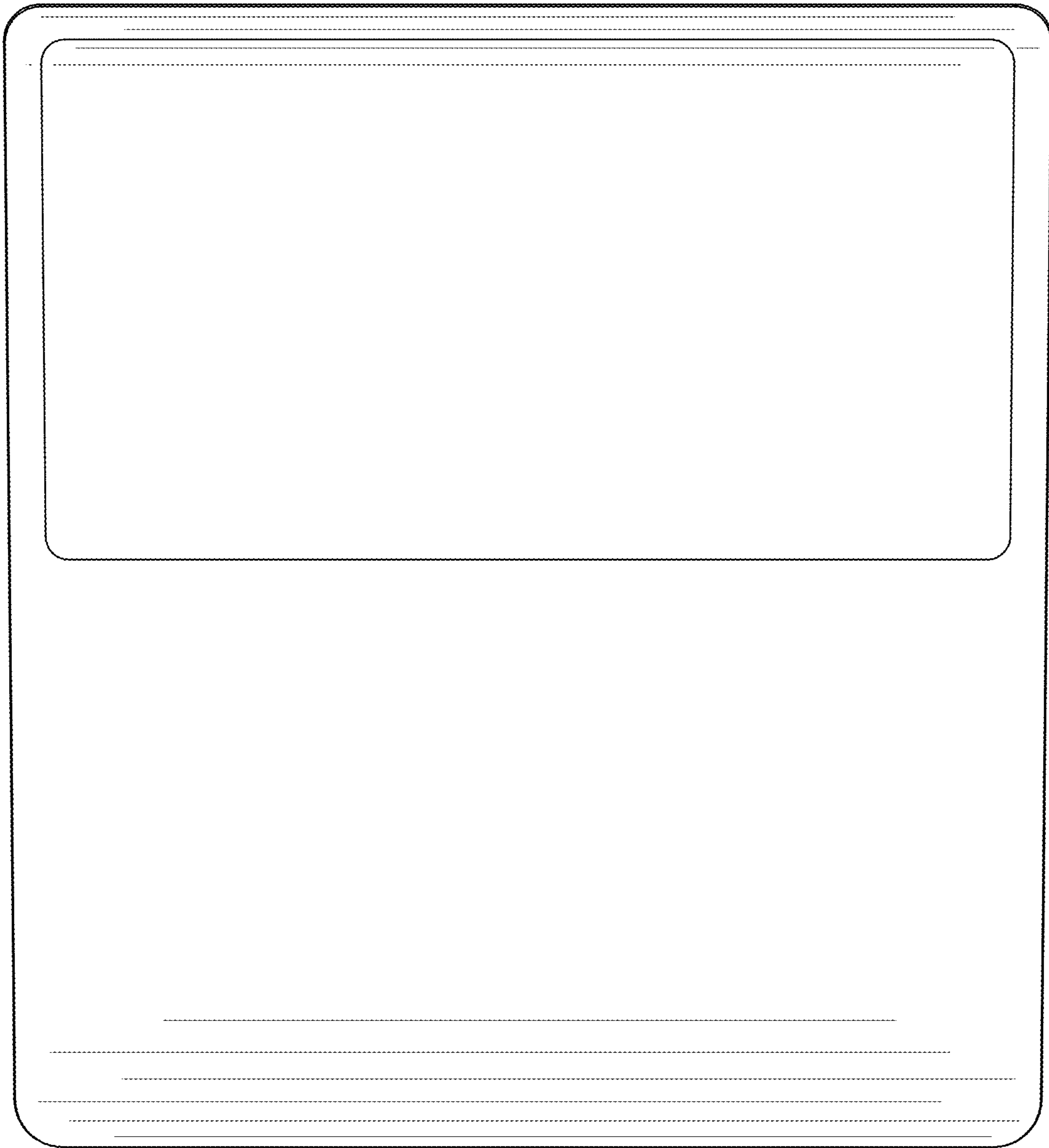


FIG. 3

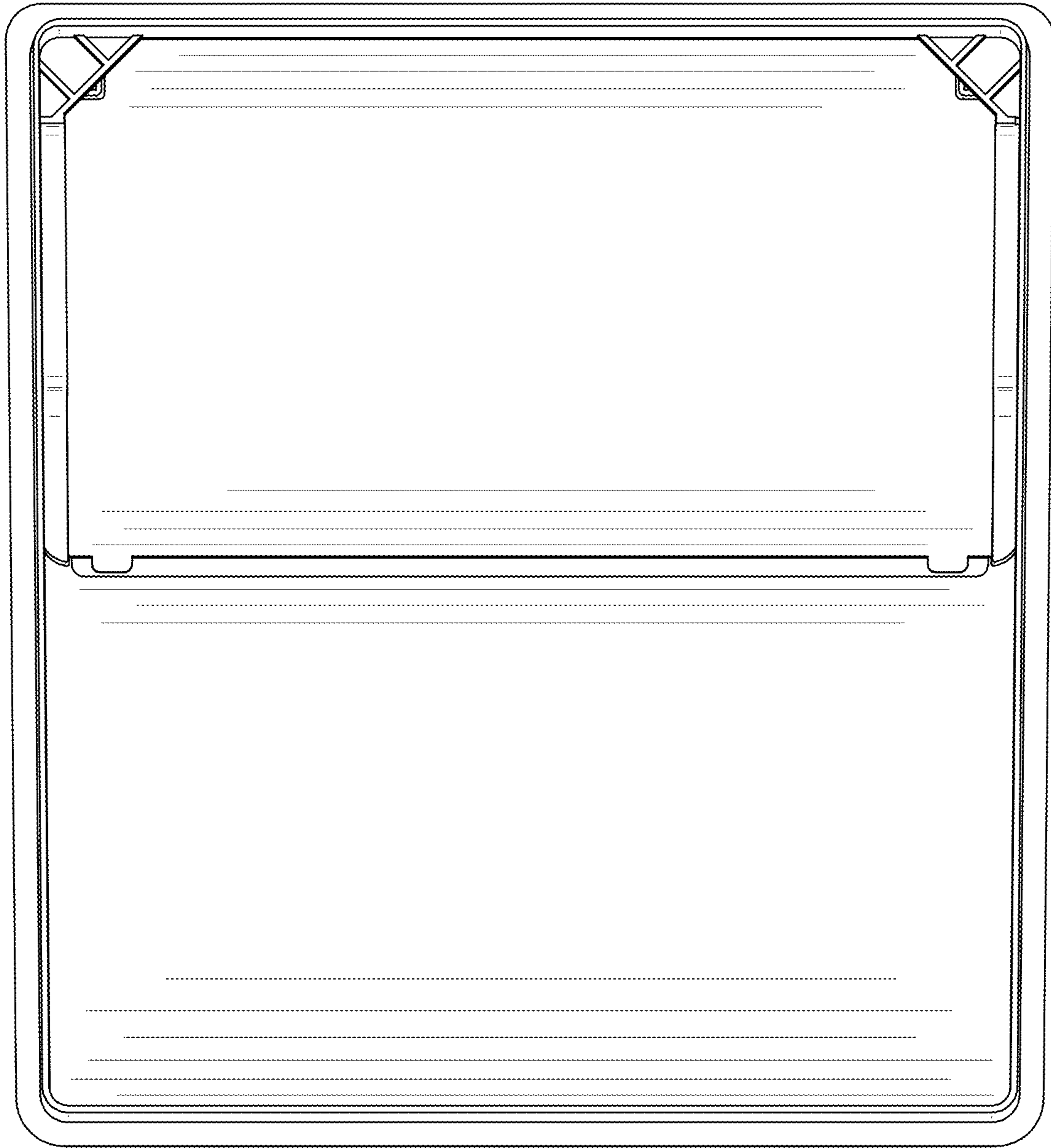


FIG. 4

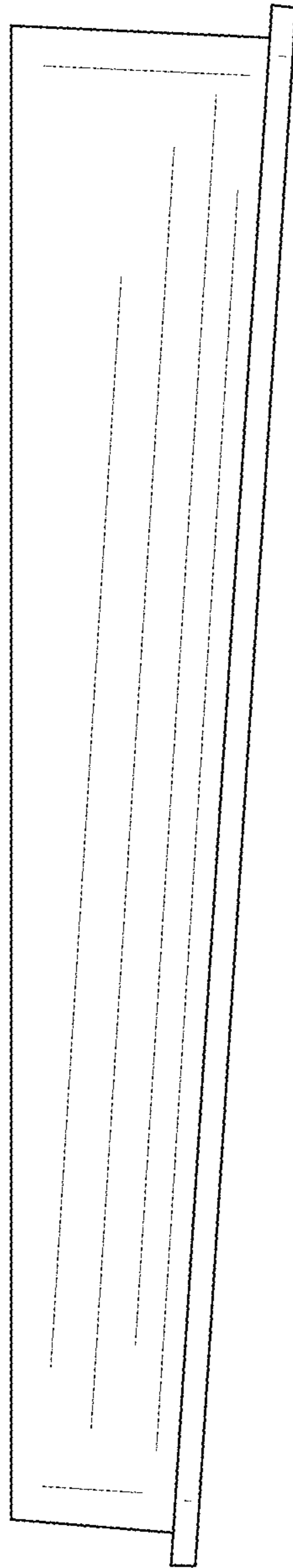


FIG. 5

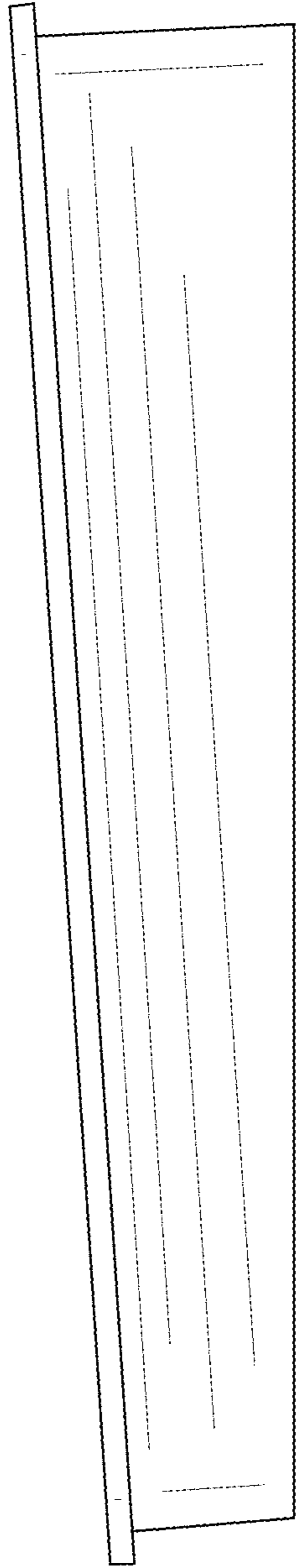


FIG. 6

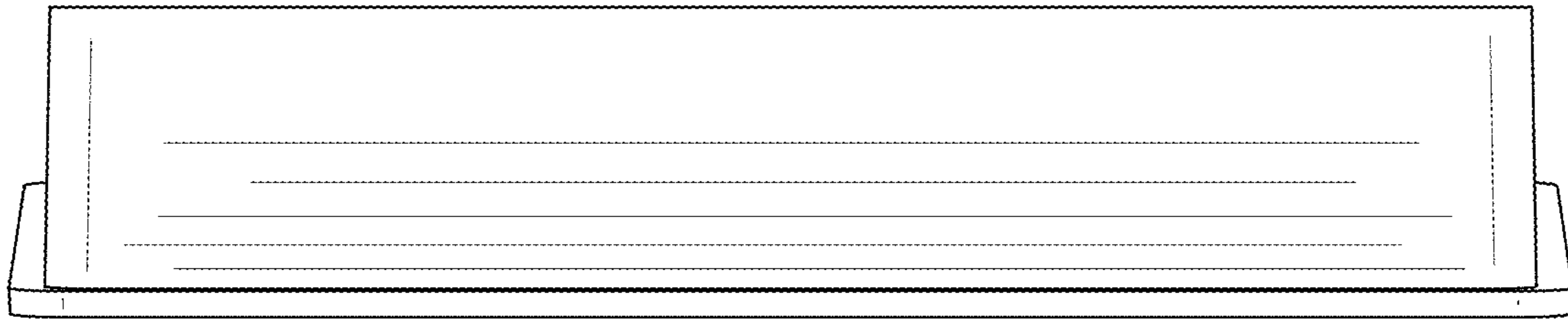


FIG. 7

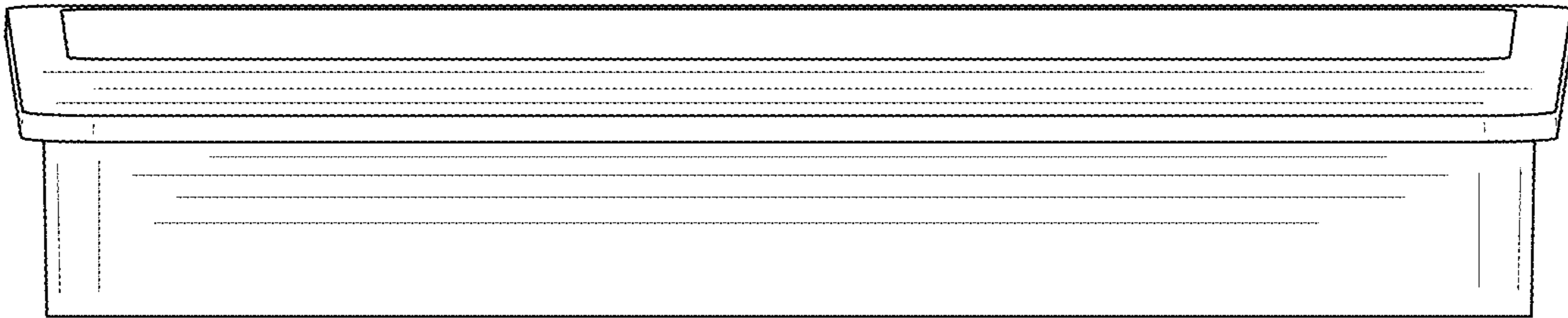


FIG. 8

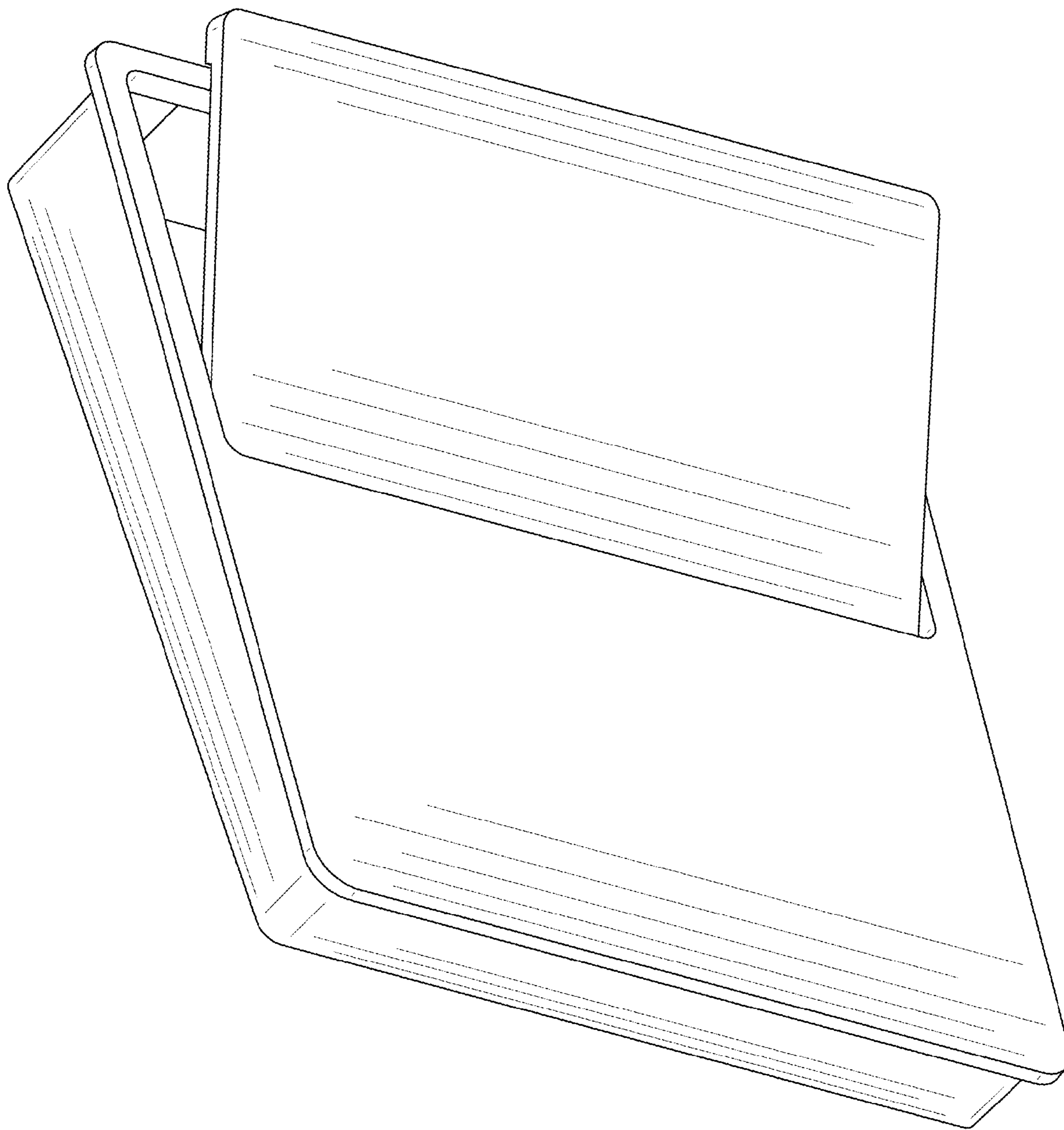


FIG. 9

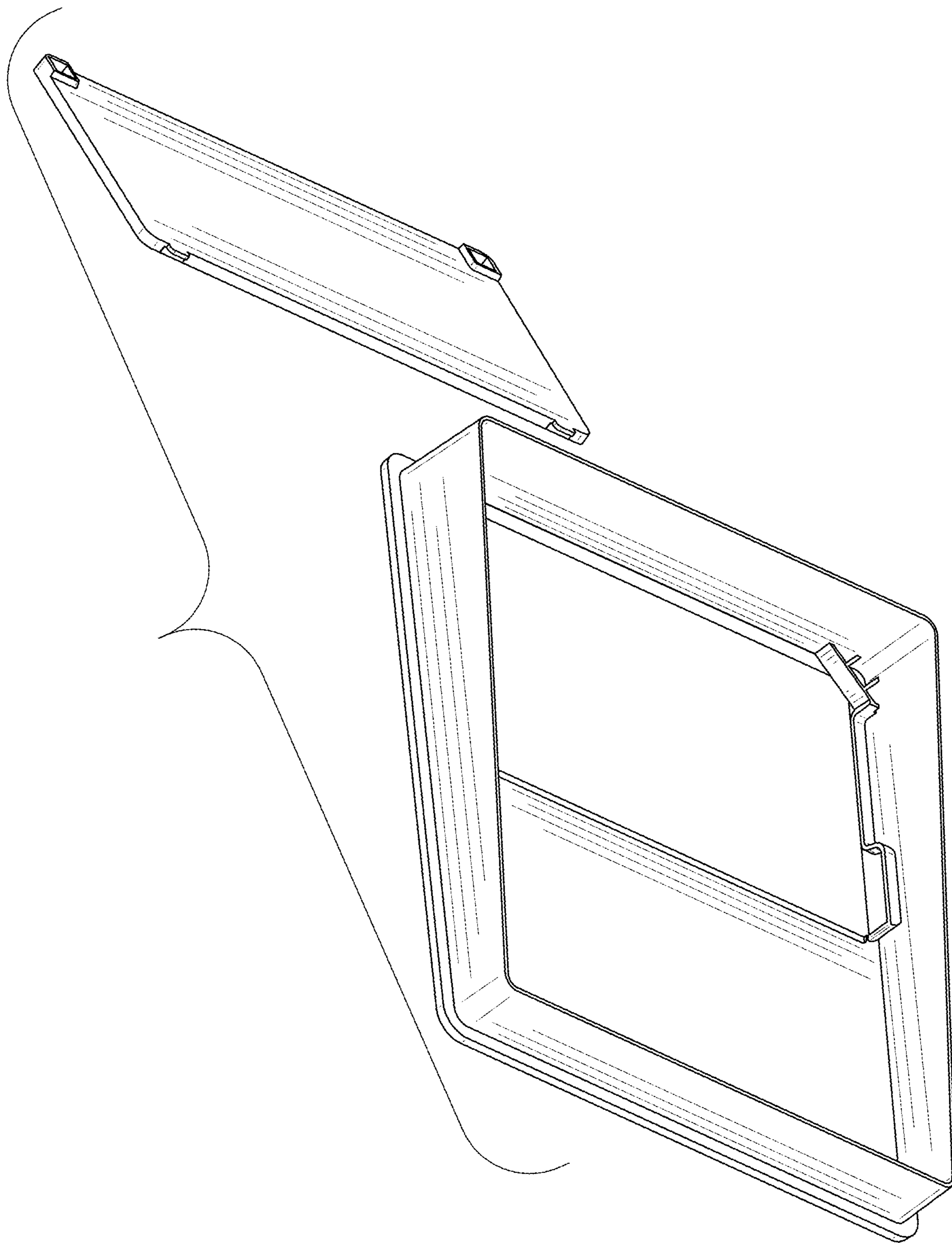


FIG. 10