



US00D890078S

(12) **United States Design Patent**  
**Nakao et al.**

(10) **Patent No.:** **US D890,078 S**  
(45) **Date of Patent:** **\*\* Jul. 14, 2020**

(54) **CENTER CONSOLE FOR AN AUTOMOBILE**

(71) Applicant: **Nissan Motor Co., Ltd.**, Yokohama,  
Kanagawa (JP)

(72) Inventors: **Akifumi Nakao**, Kanagawa (JP);  
**Mitsukuni Ito**, Kanagawa (JP)

(73) Assignee: **Nissan Motor Co., Ltd.**, Yokohama  
(JP)

(\*\*) Term: **15 Years**

(21) Appl. No.: **29/663,222**

(22) Filed: **Sep. 13, 2018**

(30) **Foreign Application Priority Data**

Mar. 15, 2018 (JP) ..... 2018-005501

(51) **LOC (12) Cl.** ..... **12-16**

(52) **U.S. Cl.**  
USPC ..... **D12/415**

(58) **Field of Classification Search**  
USPC ..... D12/415-420, 400, 195, 191, 106, 345,  
D12/96, 99; D21/421; D7/619.1-625,  
D7/701  
CPC .... B60R 7/04; B60R 7/06; B60R 7/08; B60N  
2/46

See application file for complete search history.

(56) **References Cited**

**U.S. PATENT DOCUMENTS**

D568,232 S \* 5/2008 Motozaki ..... D12/421  
D642,103 S \* 7/2011 Yamamoto ..... D12/192  
D673,496 S \* 1/2013 Kikuta ..... D12/415  
D704,610 S \* 5/2014 Mizuhata ..... D12/192  
D711,811 S \* 8/2014 Maruyama ..... D12/424  
D718,218 S \* 11/2014 Tanaka ..... D12/424  
D724,521 S \* 3/2015 Ashley ..... D12/419  
D725,583 S \* 3/2015 Seki ..... D12/419

D727,231 S \* 4/2015 Narita ..... D12/192  
D764,387 S \* 8/2016 Tanaka ..... D12/419  
D765,017 S \* 8/2016 Manzari ..... D12/419  
D765,018 S \* 8/2016 Sahs ..... D12/419

(Continued)

**OTHER PUBLICATIONS**

Nissan Presents Brand-New Redesigned 2016 Altima »2016-nissan-altima-interior-center-console, GlendaleNissan.com, [online], [site visited Nov. 1, 2019]. <URL: <https://www.glendalenissan.com/blog/2016-nissan-altima-redesign-and-release-date/2016-nissan-altima-interior-center-console/>> (Year: 2016).\*

(Continued)

*Primary Examiner* — T Chase Nelson  
*Assistant Examiner* — Jonathan J. Han

(74) *Attorney, Agent, or Firm* — Global IP Counselors,  
LLP

(57) **CLAIM**

The ornamental design for a center console for an automobile, as shown and described.

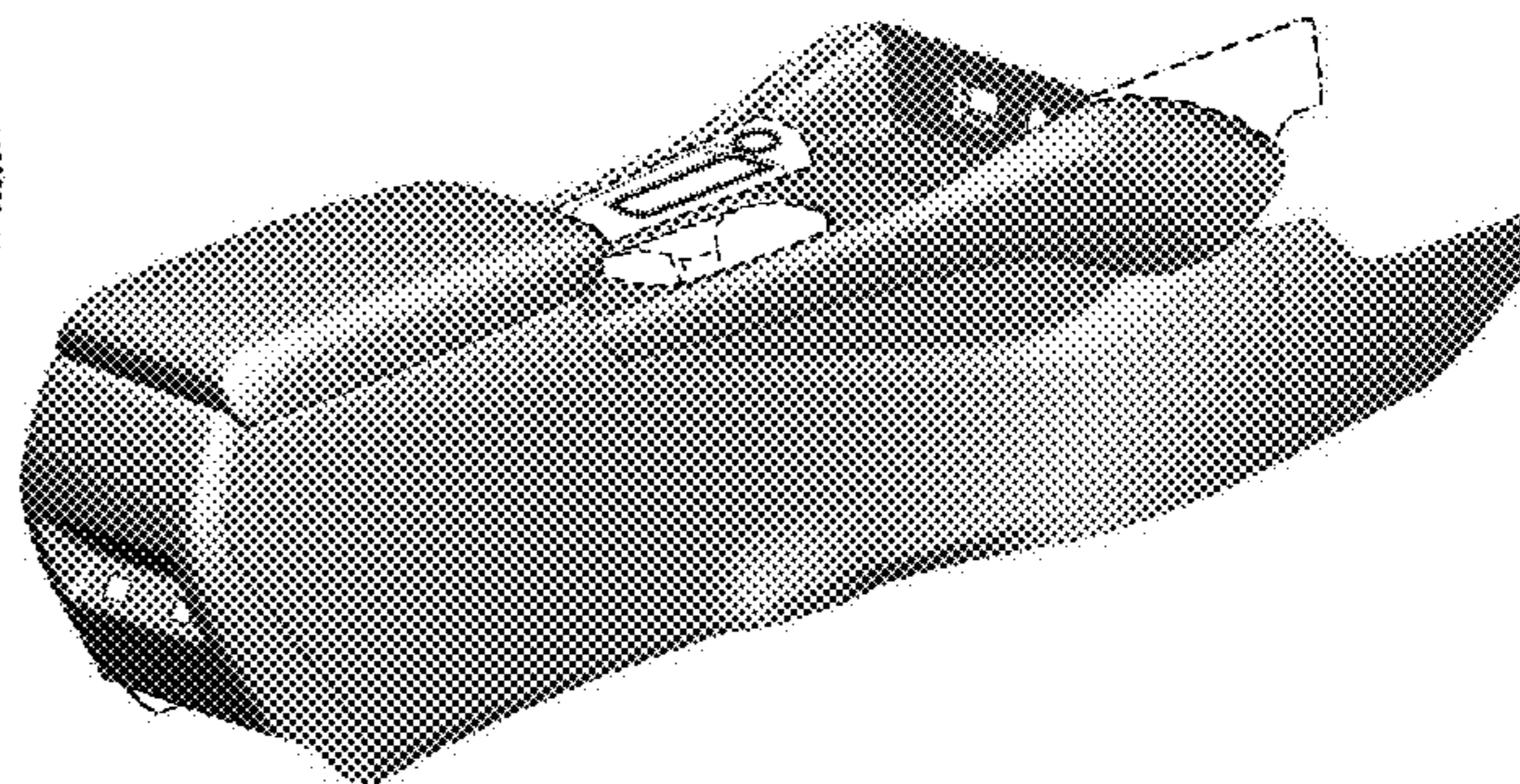
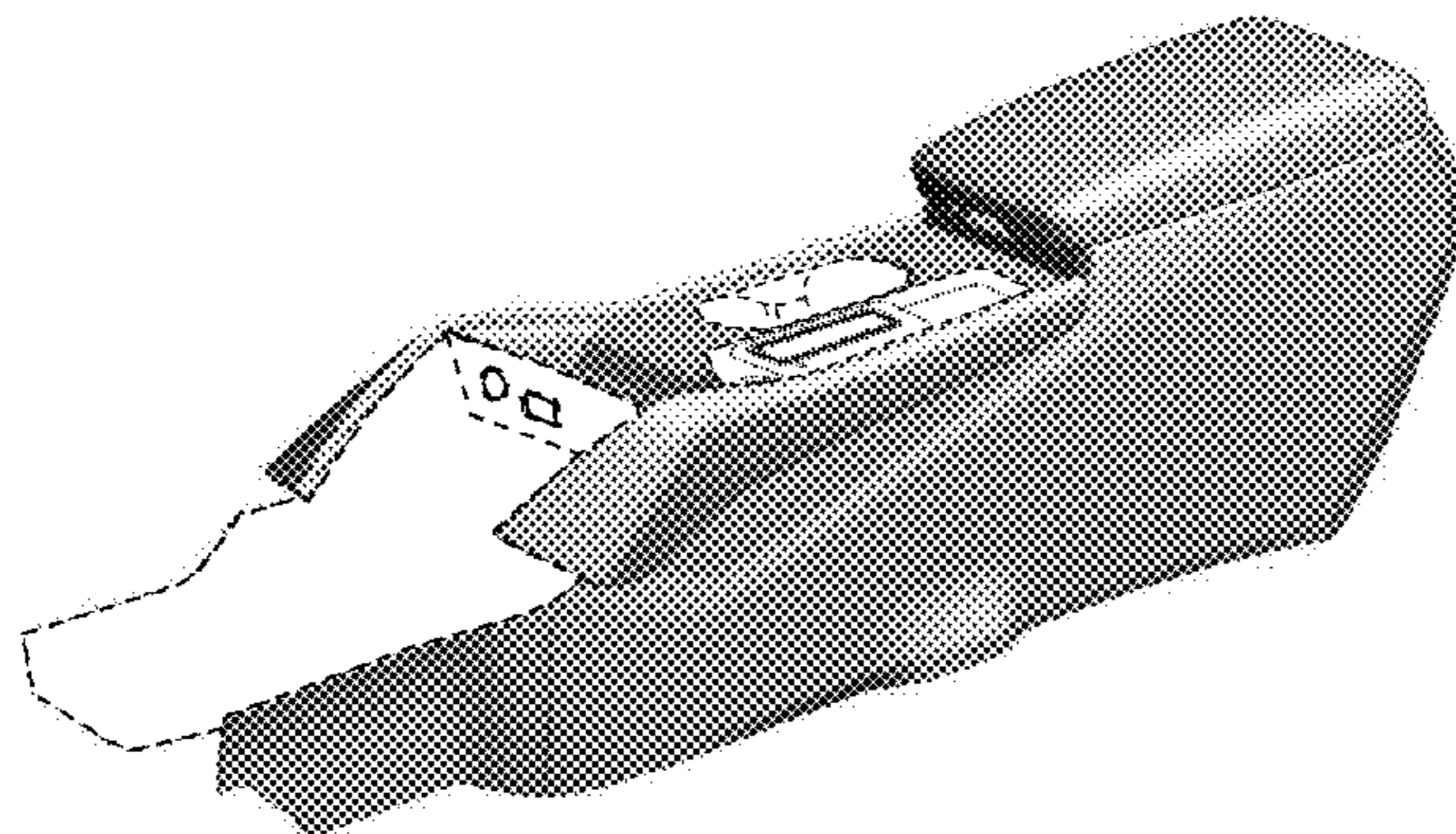
**DESCRIPTION**

FIG. 1 is a front elevational view of a center console for an automobile in accordance with our new design;  
FIG. 2 is a rear elevational view thereof;  
FIG. 3 is a top plan view thereof;  
FIG. 4 is a bottom plan view thereof;  
FIG. 5 is a left side elevational view thereof;  
FIG. 6 is a right side elevational view thereof;  
FIG. 7 is a first perspective view thereof; and,  
FIG. 8 is a second perspective view thereof.

The center console is configured to be mounted to an automobile. The inside surfaces of the center console, shown in broken lines in FIGS. 1 to 8, form no part of the claimed design since the inside surfaces are hidden when the center console is mounted to the automobile.

A second embodiment of my new design includes the mirror image of the center console shown in FIGS. 1 to 8.

**1 Claim, 8 Drawing Sheets**



(56)

**References Cited**

## U.S. PATENT DOCUMENTS

D766,811	S	*	9/2016	Shouno	.....	D12/419
D766,812	S	*	9/2016	Kabata	.....	D12/423
D770,361	S	*	11/2016	Chan	.....	D12/419
D781,210	S	*	3/2017	Itou	.....	D12/419
D781,211	S	*	3/2017	Satou	.....	D12/419
D808,330	S	*	1/2018	Kuwahara	.....	D12/419
D808,873	S	*	1/2018	Joyce	.....	D12/192
D824,838	S	*	8/2018	Takamura	.....	D12/419
D826,813	S	*	8/2018	Carr	.....	D12/192
D827,549	S	*	9/2018	Igarashi	.....	D12/419
D828,259	S	*	9/2018	Takagi	.....	D12/192
D830,951	S	*	10/2018	Karasawa	.....	D12/419
D836,059	S	*	12/2018	Takagi	.....	D12/415
D836,060	S	*	12/2018	Takagi	.....	D12/415
D847,054	S	*	4/2019	Yamada	.....	D12/192
D857,611	S	*	8/2019	Igarashi	.....	D12/415

## OTHER PUBLICATIONS

Center console tray Kia Sportage, ShazzyCar.com, [online], [site visited Nov. 1, 2019]. <URL: <https://shazzycar.com/product/center-console-tray-kia-sportage-ql-2016-2017-2018-2019/>> (Year: 2019).\*

2019 Ford Escape SE, StevensFordMilford.com, [online], [site visited Nov. 1, 2019]. <URL: <https://www.stevensfordmilford.com/used-Milford-2019-Ford-Escape-SE-1FMCU9GD0KUA06712>> (Year: 2019).\*

\* cited by examiner

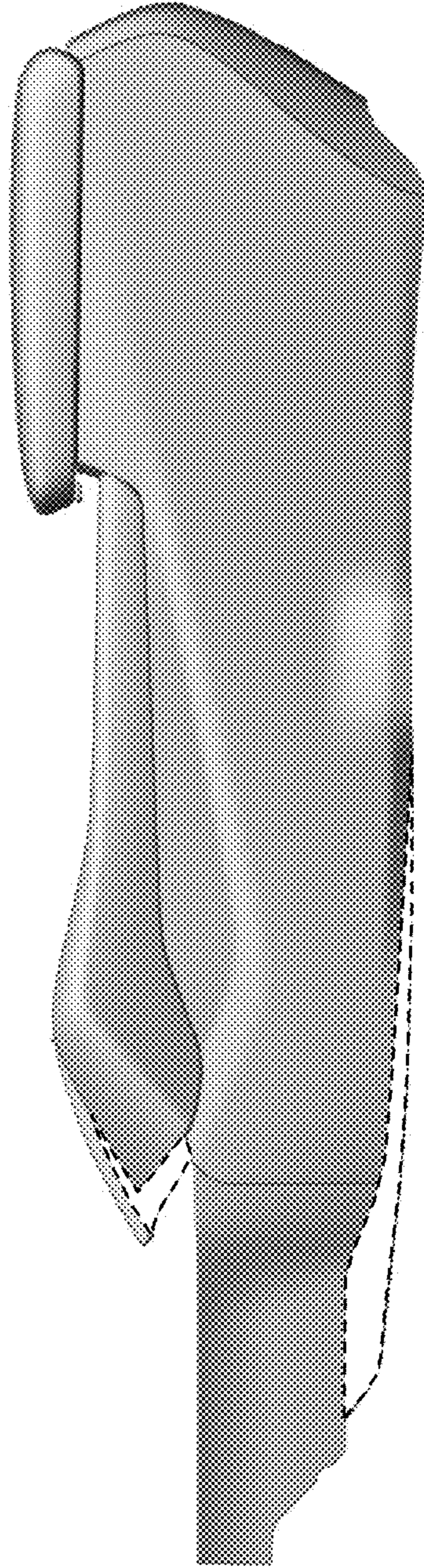


FIG. 1

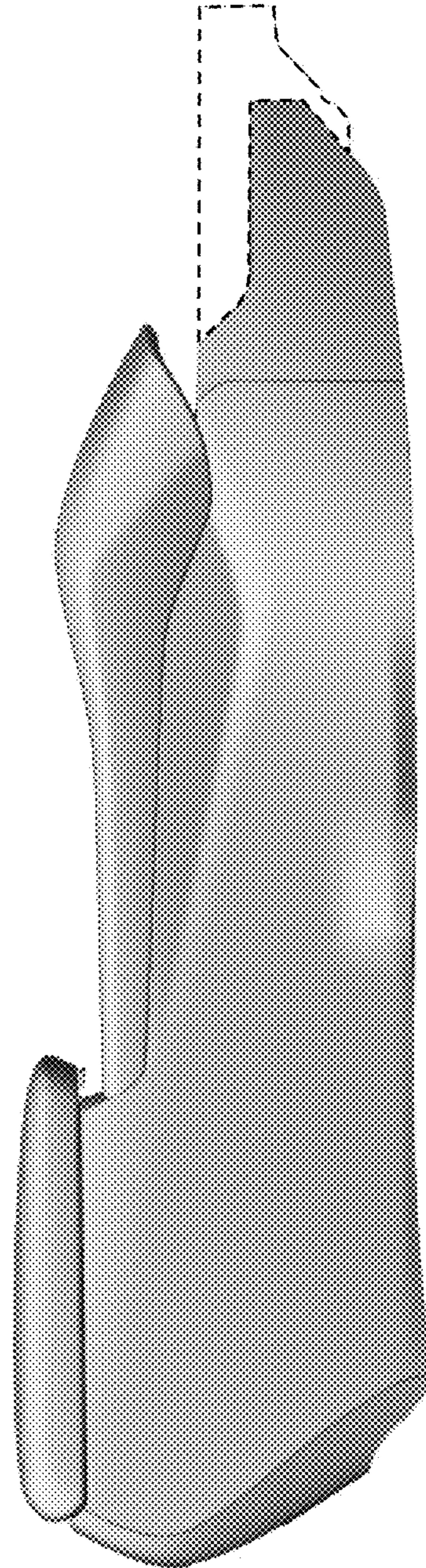


FIG. 2

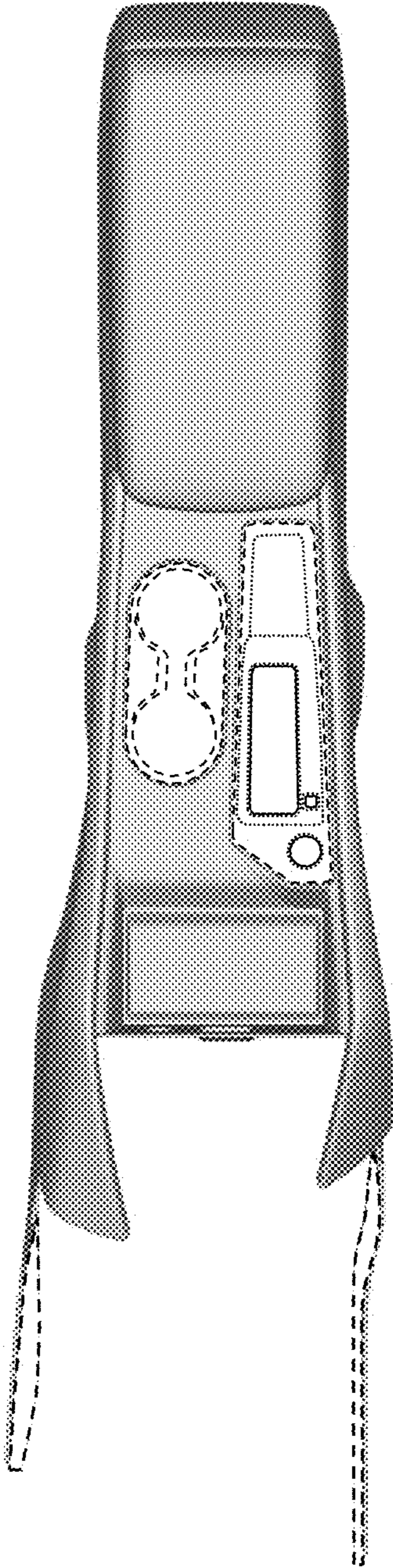


FIG. 3

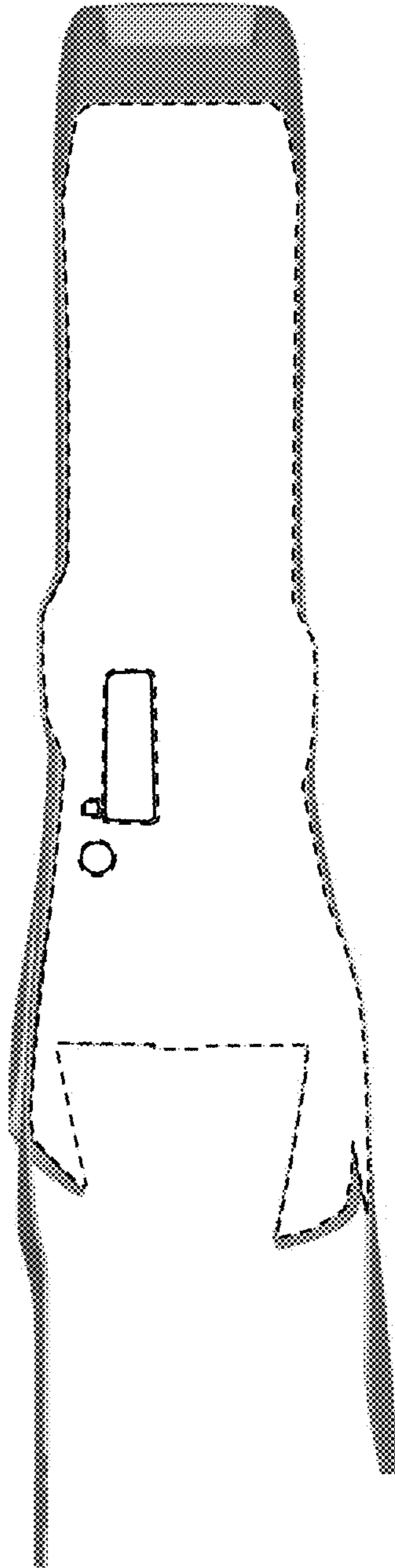


FIG. 4

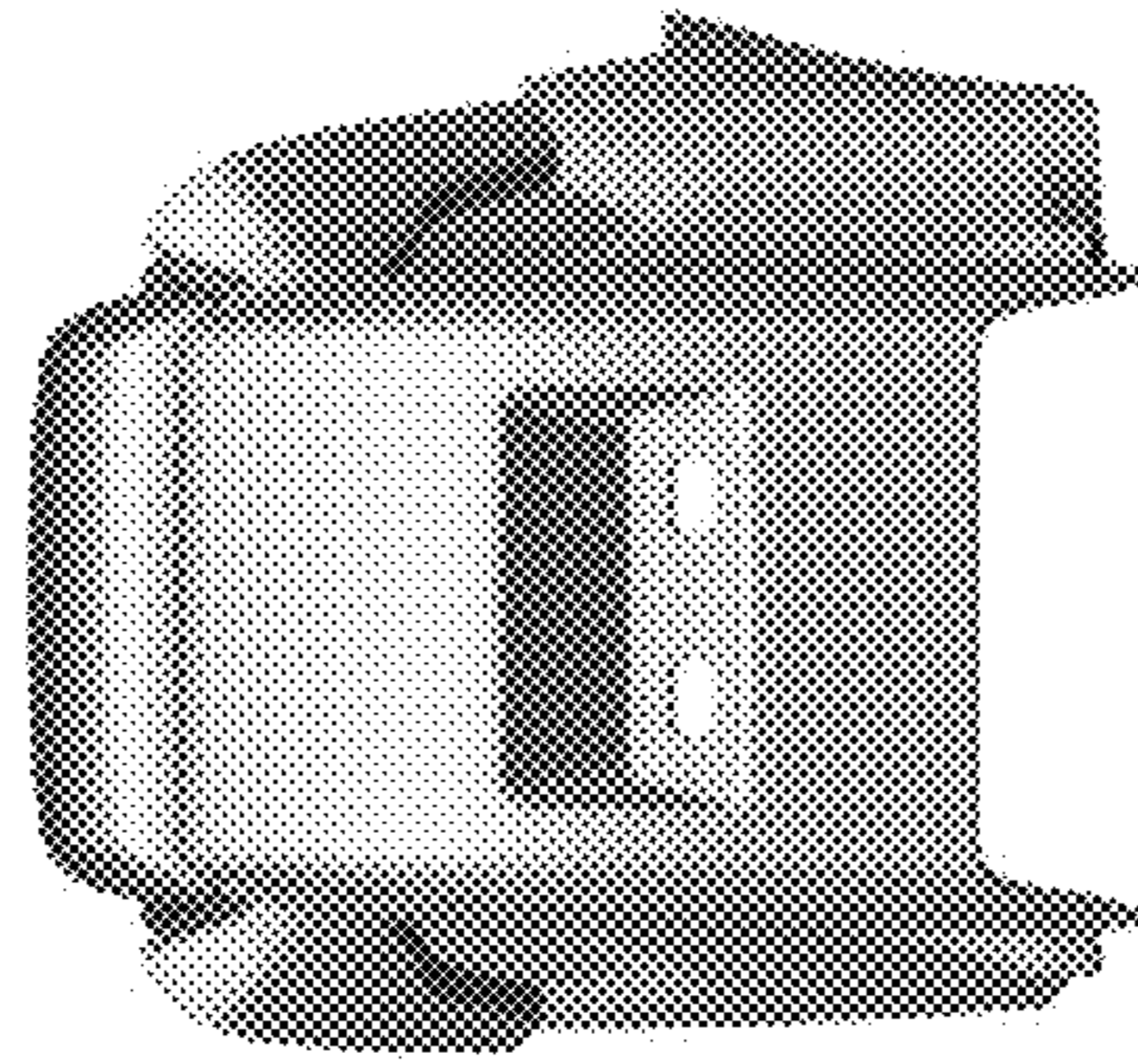


FIG. 5

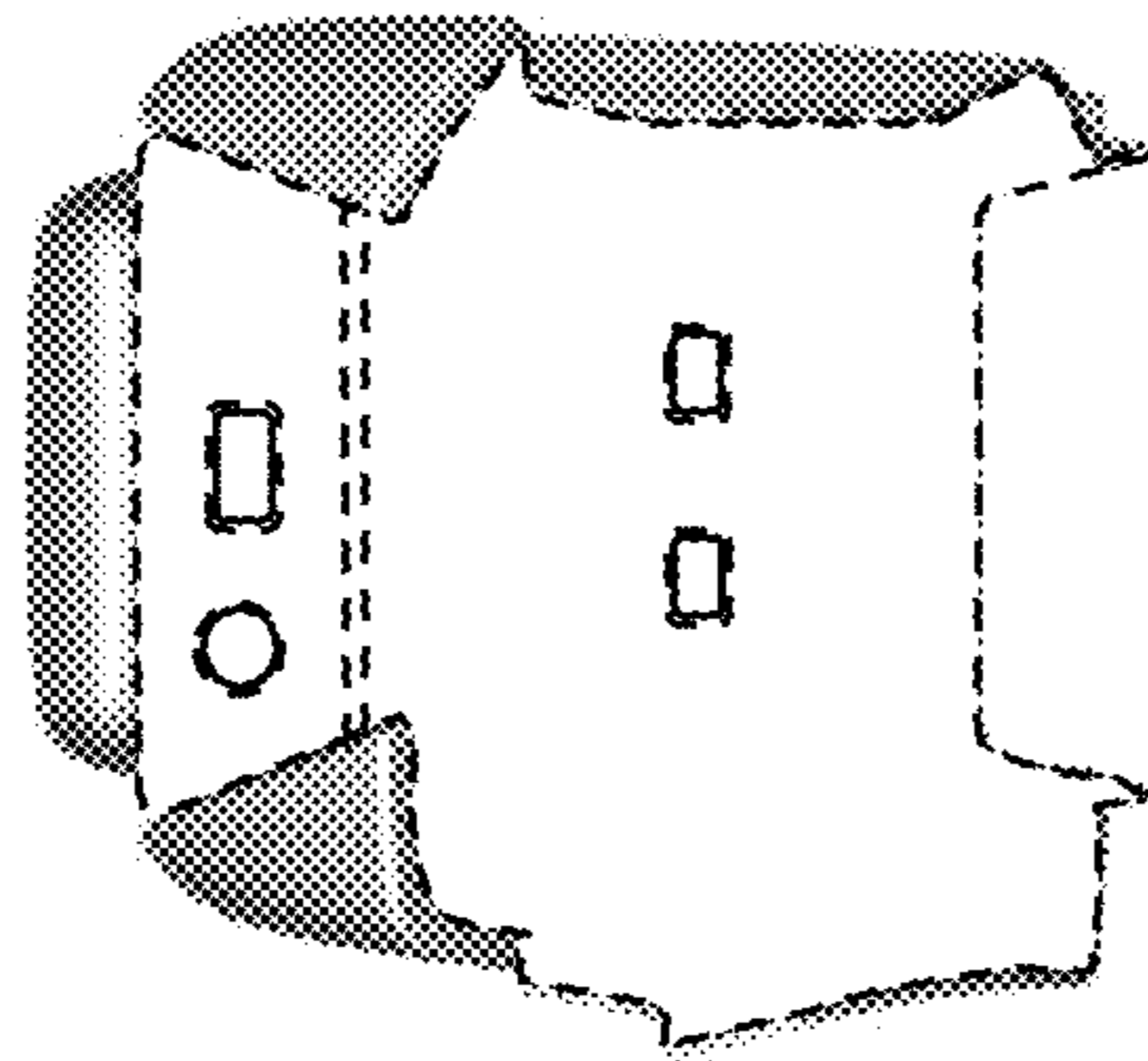


FIG. 6



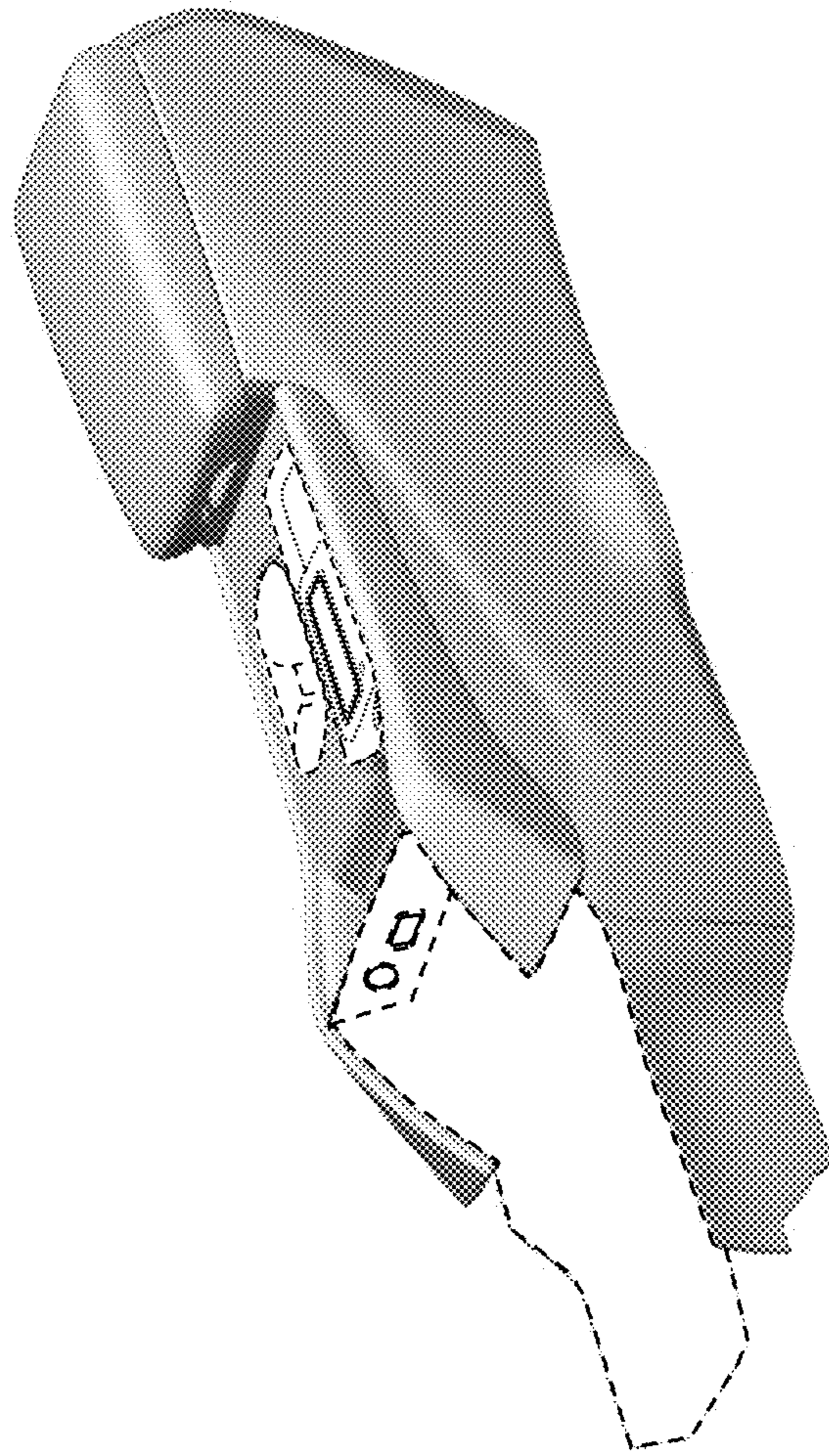


FIG. 7

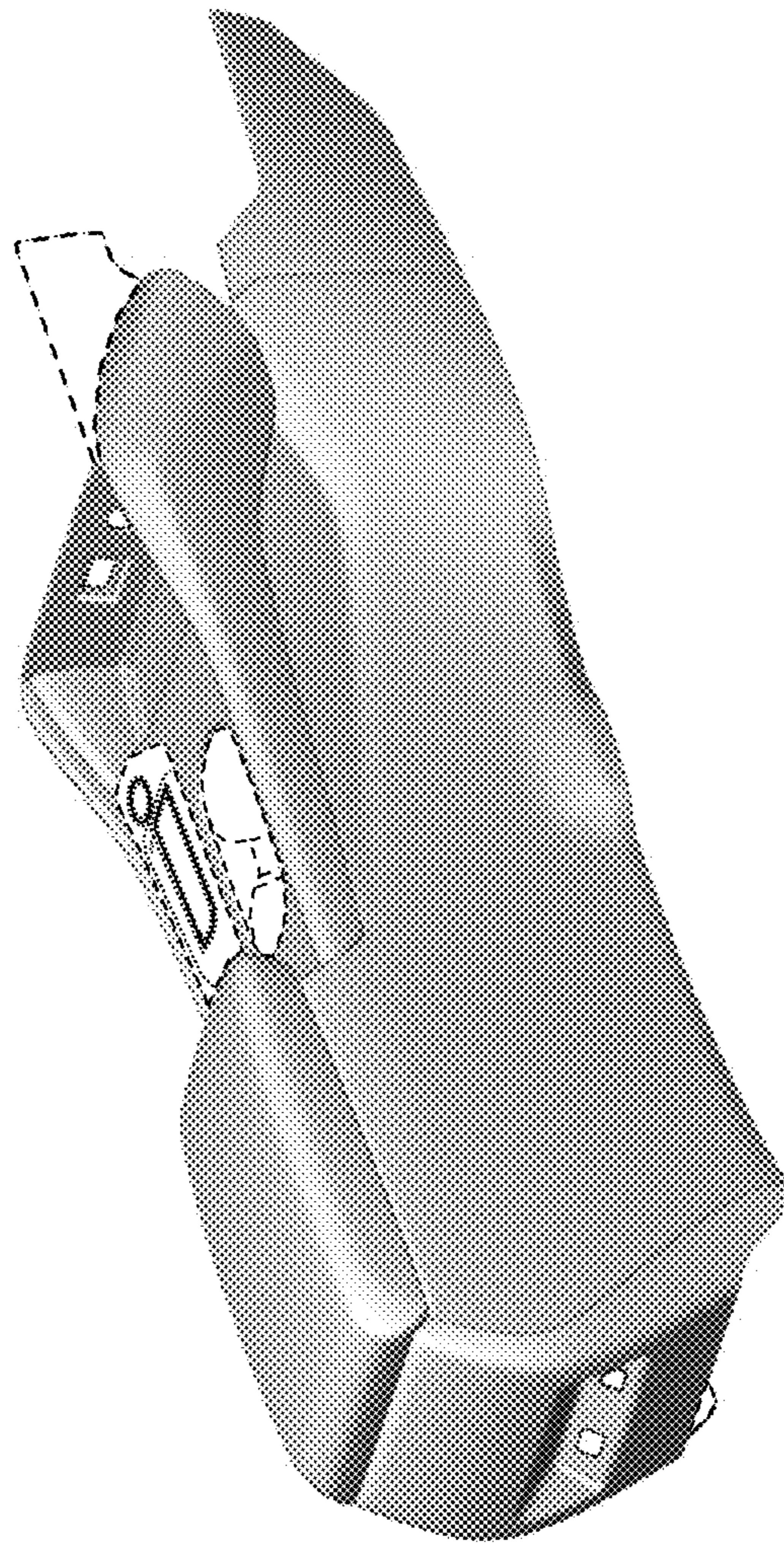


FIG. 8