



US00D890077S

(12) **United States Design Patent**
Becker et al.

(10) **Patent No.:** **US D890,077 S**
(45) **Date of Patent:** **** Jul. 14, 2020**

(54) **ACCESSORY BASE**

(71) Applicant: **Dometic Sweden AB**, Solna (SE)
(72) Inventors: **Kent A. Becker**, Huntertown, IN (US);
Samuele Meda, Solna (SE); **Mikael Thelin**, Huddinge (SE)

(73) Assignee: **Dometic Sweden AB**, Solna (SE)

(**) Term: **15 Years**

(21) Appl. No.: **29/626,915**

(22) Filed: **Nov. 21, 2017**

(51) **LOC (12) Cl.** **12-16**

(52) **U.S. Cl.**
USPC **D12/400**

(58) **Field of Classification Search**
USPC D12/400; D13/110, 133, 134, 151;
D26/63
CPC H01R 25/00
See application file for complete search history.

(56) **References Cited**

U.S. PATENT DOCUMENTS

4,032,208	A *	6/1977	Berkenhoff	H01R 25/142
					439/122
D247,171	S *	2/1978	Berkenhoff	D13/151
D275,748	S *	10/1984	Humphreys	D13/146
D282,101	S	1/1986	Yuen		
4,676,567	A *	6/1987	Mouchi	H01R 25/14
					439/116
D291,350	S	8/1987	Sherman et al.		
D291,605	S *	8/1987	Roos	D26/60
D291,929	S *	9/1987	Kusmer	D26/138
4,915,670	A	4/1990	Nesbit		
4,936,594	A	6/1990	Oliver, III		
D313,842	S	1/1991	Fan		
D315,418	S *	3/1991	Layne	D26/63
D315,419	S *	3/1991	Layne	D26/63

(Continued)

FOREIGN PATENT DOCUMENTS

AU 366561 1/2016
AU 366562 1/2016

(Continued)

OTHER PUBLICATIONS

Dometic 2017 Product Catalog, Awning Power Channel Accessories, p. 1-11, May 8, 2017.

(Continued)

Primary Examiner — Kevin K Rudzinski

(74) *Attorney, Agent, or Firm* — Middleton Reutlinger

(57) **CLAIM**

The ornamental design for an accessory base, as shown and described.

DESCRIPTION

FIG. 1 is an upper perspective view of an accessory base design;

FIG. 2 is a top view of the accessory base design of FIG. 1; FIG. 3 is a bottom view of the accessory base design of FIG. 1;

FIG. 4 is a first side view of the accessory base design of FIG. 1;

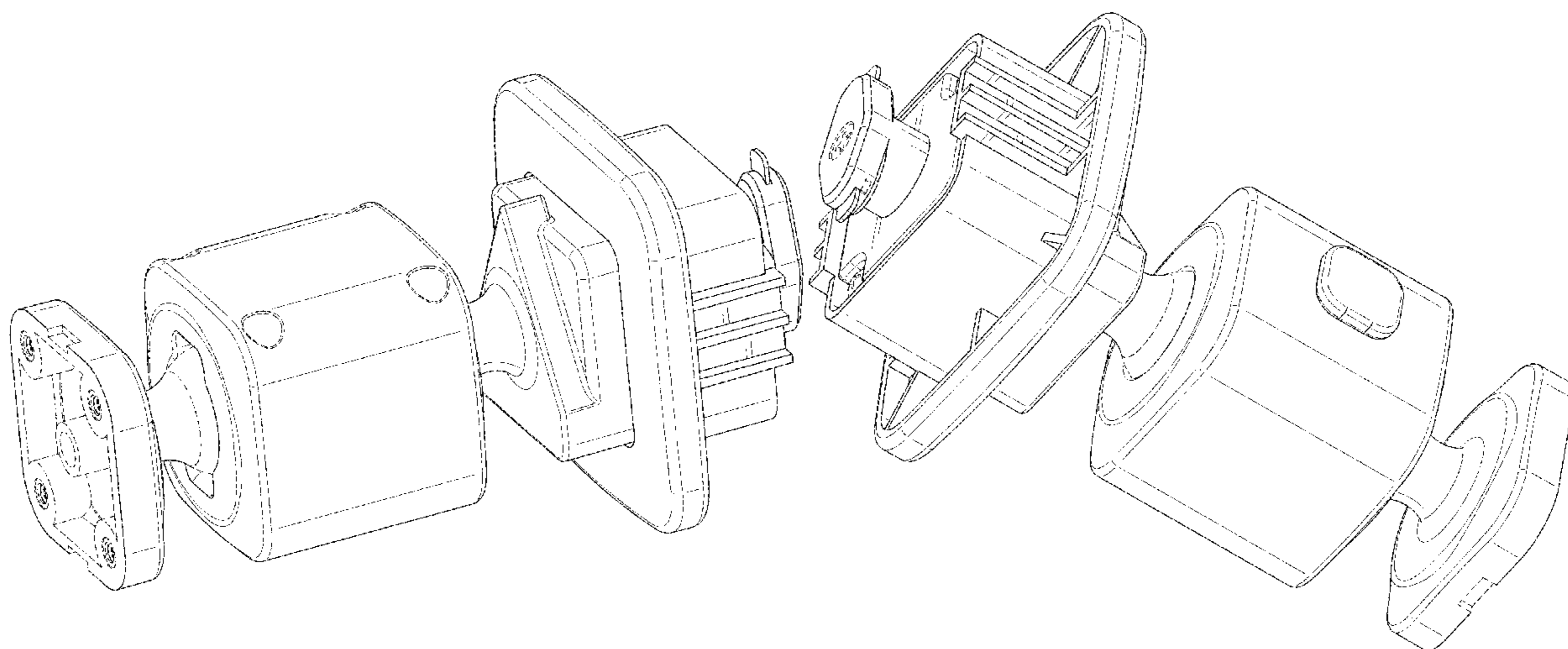
FIG. 5 is a second side view of the accessory base design of FIG. 1;

FIG. 6 is a front view of the accessory base design of FIG. 1;

FIG. 7 is a rear view of the accessory base of FIG. 1; and, FIG. 8 is a lower perspective view of the accessory base of FIG. 1.

The broken line disclosure represents portions of the accessory base in which the design is embodied and forms no part of the claimed design.

1 Claim, 8 Drawing Sheets



(56)

References Cited

U.S. PATENT DOCUMENTS

D318,740 S * 7/1991 Layne D26/63
 D323,718 S * 2/1992 Layne D26/63
 5,273,062 A 12/1993 Mozdzanowski
 D360,417 S 7/1995 Mark
 D361,828 S 8/1995 Chen
 D372,918 S 8/1996 Manganese et al.
 5,855,485 A * 1/1999 Patti H01R 25/142
 439/121
 6,017,188 A 1/2000 Benton
 D424,017 S * 5/2000 Lin D13/133
 6,056,561 A * 5/2000 Lin H01R 25/142
 439/121
 6,203,339 B1 * 3/2001 Nieminen H01R 25/14
 439/118
 D442,309 S * 5/2001 Miller D26/63
 D444,252 S * 6/2001 Miller D26/63
 6,439,249 B1 8/2002 Pan et al.
 6,439,749 B1 * 8/2002 Miller F21S 8/02
 362/239
 D465,046 S * 10/2002 Layne D26/63
 D472,999 S * 4/2003 Layne D26/61
 6,585,529 B2 * 7/2003 Zakerzewski F21S 8/06
 439/110
 6,612,875 B1 9/2003 Liao
 D493,138 S * 7/2004 Jiang D13/110
 6,764,133 B2 7/2004 Osato
 D503,396 S 3/2005 Hisatsune
 6,884,095 B1 * 4/2005 Tsai H01R 25/142
 439/118
 D545,950 S 7/2007 Ching et al.
 D556,367 S * 11/2007 Lehman D26/138
 D561,168 S 2/2008 Song
 D569,544 S * 5/2008 Aubrey D26/138
 D576,345 S * 9/2008 Aubrey D26/138
 D576,486 S 9/2008 Koza
 7,520,763 B1 * 4/2009 Buse H01R 25/142
 439/121
 D594,822 S * 6/2009 Layne D13/134
 D596,196 S 7/2009 Laituri et al.
 D616,080 S 5/2010 Ching
 D618,252 S 6/2010 Bradford et al.
 7,762,765 B2 7/2010 Milks
 7,778,624 B2 8/2010 Li
 D633,608 S 3/2011 Shapiro
 3,061,374 A1 11/2011 Li
 D671,426 S 11/2012 Pickens et al.
 8,393,341 B2 3/2013 Li
 D679,258 S 4/2013 Moore et al.
 8,453,659 B2 6/2013 Li
 D698,058 S * 1/2014 Rashidi D26/63
 D698,475 S 1/2014 Korpi
 8,755,305 B2 * 6/2014 Altekari H01R 25/142
 370/254
 D708,131 S 7/2014 Miller et al.
 D713,334 S 9/2014 Mao
 D713,595 S 9/2014 Lechtenberg et al.
 D718,736 S 12/2014 Thompson et al.
 8,899,999 B2 * 12/2014 Mackiewicz F21S 8/038
 439/118
 D721,738 S 1/2015 Hochman et al.
 D733,273 S 6/2015 Jeon et al.
 D734,720 S 7/2015 Alesi et al.
 D749,541 S 2/2016 Wong
 D754,109 S 4/2016 Kelly
 D761,199 S 7/2016 Hong et al.
 D761,471 S 7/2016 Hoffmann et al.
 D763,818 S 8/2016 Yang
 D769,184 S 10/2016 Esses
 D769,188 S 10/2016 Miller et al.
 D769,431 S 10/2016 Lopez
 D773,720 S * 12/2016 Lin D26/110
 D774,174 S 12/2016 Chapman
 D774,246 S * 12/2016 Lin D26/138
 D778,834 S 2/2017 Holweger et al.

D781,235 S 3/2017 Esses
 D785,218 S 4/2017 Fletcher et al.
 D790,052 S 6/2017 Ha
 9,695,635 B2 7/2017 Meyers et al.
 D803,449 S 11/2017 Xu et al.
 D804,001 S 11/2017 Cartwright et al.
 9,813,796 B1 11/2017 Deng
 D805,019 S 12/2017 Taylor et al.
 D805,458 S 12/2017 Taylor et al.
 D811,640 S 2/2018 Kim
 D826,296 S 8/2018 Noorazar et al.
 10,050,449 B2 * 8/2018 Hall H02J 4/00
 D837,355 S 1/2019 Gunnefur
 D837,429 S 1/2019 Yu
 D838,824 S 1/2019 Sun
 10,186,820 B1 * 1/2019 Gellert H01R 25/142
 D842,265 S 3/2019 Becker et al.
 D842,266 S 3/2019 Becker et al.
 D848,593 S 5/2019 Exley
 D852,340 S 6/2019 Barlettano
 D852,344 S 6/2019 Hua
 D852,739 S 7/2019 Becker et al.
 D854,212 S 7/2019 Yuan
 D855,231 S 7/2019 Huang
 2002/0045369 A1 * 4/2002 Agro F21S 8/06
 439/121
 2006/0209531 A1 * 9/2006 Tiesler B60R 16/03
 362/95
 2007/0242450 A1 10/2007 Blatecky
 2008/0032650 A1 2/2008 Zhang
 2011/0170704 A1 * 7/2011 Smith H04B 3/548
 381/77
 2013/0063963 A1 * 3/2013 Riesebosch F21V 21/34
 362/555
 2015/0034259 A1 * 2/2015 Bohlen E06B 9/42
 160/310
 2015/0330087 A1 * 11/2015 Taylor E04F 10/0625
 160/69
 2016/0255703 A1 * 9/2016 Davie H04B 3/548
 315/294
 2017/0073975 A1 3/2017 Taylor et al.
 2017/0088068 A1 3/2017 Taylor et al.
 2017/0089529 A1 * 3/2017 Xu F21S 4/20
 2017/0191649 A1 * 7/2017 Zhang F21V 23/06

FOREIGN PATENT DOCUMENTS

CA 165362 6/2016
 CA 165363 6/2016
 EM 002861385 11/2015
 EM 002861393 11/2015
 WO 2010/098735 A1 9/2010
 WO 2015175990 11/2015
 WO 2015176013 11/2015

OTHER PUBLICATIONS

Dometic, "FreeStyle" Bluetooth-Enabled Portable Awning Speaker, 2012.
 Ecoxgear, Bluetooth Waterproof Portable Speaker System; www.bjs.com/ecoxgear-bluetooth-waterproof-portable-speaker-system—red.product.227498, Jan. 7, 2014.
 Home Depot, Ion 10-Watt Wireless Bluetooth Speaker with Built-in-Clip; http://www.homedepot.com/p/Ion-10-Watt-Wireless-Bluetooth-Speaker-with-Built-in-Clip-Red-ISP29R/204325987, Jan. 7, 2014.
 Camping World, Portable Speaker Case; http://www.campingworld.com/shopping/item/portable-speaker-case/58398, May 5, 2012.
 Dometic, 2016 Product Catalog, PowerChannel Accessories (p. 35) and Endless Breeze (p. 91), Nov. 16, 2015.
 Notice of Allowance Design U.S. Appl. No. 29/626,917 dated Oct. 12, 2018.
 Notice of Allowance Design U.S. Appl. No. 29/626,926 dated Oct. 12, 2018.
 Ex Parte Quale Action mailed in Design U.S. Appl. No. 29/626,929 on Nov. 14, 2018.

(56)

References Cited

OTHER PUBLICATIONS

Notice of Allowance Design U.S. Appl. No. 29/626,929 dated Feb. 8, 2019.

Non-Final Rejection Design U.S. Appl. No. 29/626,923 dated Mar. 8, 2019.

Notice of Allowance Design U.S. Appl. No. 29/626,921 dated Jul. 17, 2019.

Notice of Allowance Design U.S. Appl. No. 29/626,923 dated Aug. 15, 2019.

Design U.S. Appl. No. 29/626,923 entitled "Light" filed Nov. 21, 2017.

Design U.S. Appl. No. 29/626,921 entitled "Fan" filed Nov. 21, 2017.

Dometic, 2016 Product Catalog, PowerChannel Awnings, 1 page, Nov. 18, 2015.

Canadian Patent Application 2,948,856 entitled "Power Track Assembly and Accessory Base Therefore" with national entry date Nov. 10, 2016.

Canadian Patent Application 2,948,854 entitled "Power Track Awning Assembly" with national entry date Nov. 10, 2016.

European Patent Application 15793465.4 entitled "Power Track Assembly and Accessory Base Therefore" with national entry date Dec. 13, 2016.

European Patent Application 15793333.4 entitled "Power Track Awning Assembly" with national entry date Dec. 8, 2016.

Non-Final Rejection Design U.S. Appl. No. 29/626,921 dated Oct. 3, 2019.

Notice of Allowance Design U.S. Appl. No. 29/626,923 dated Nov. 5, 2019.

Notice of Allowance mailed in U.S. Design Appl. No. 29/626,921 dated Mar. 4, 2020.

* cited by examiner

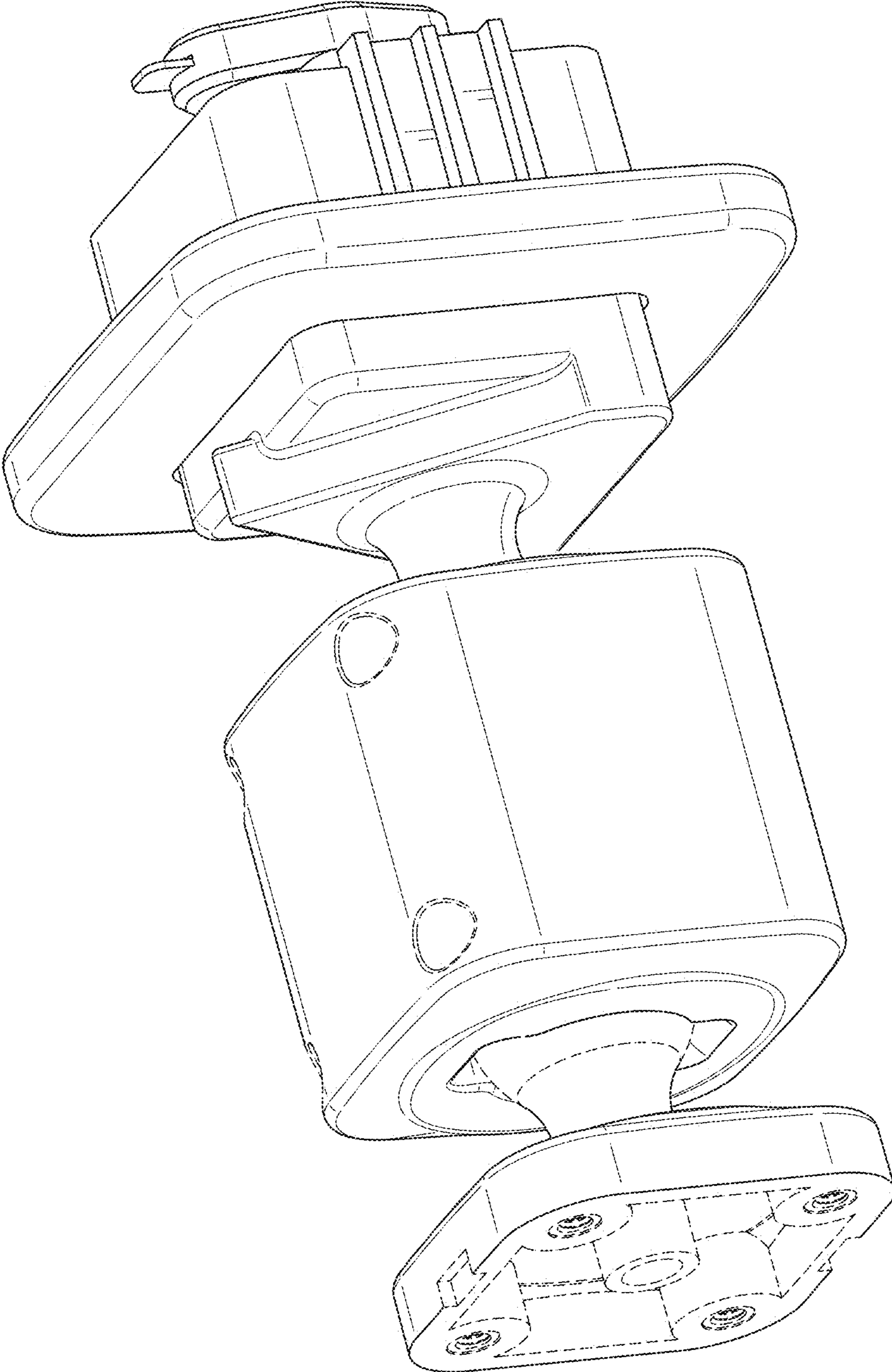


FIG. 1

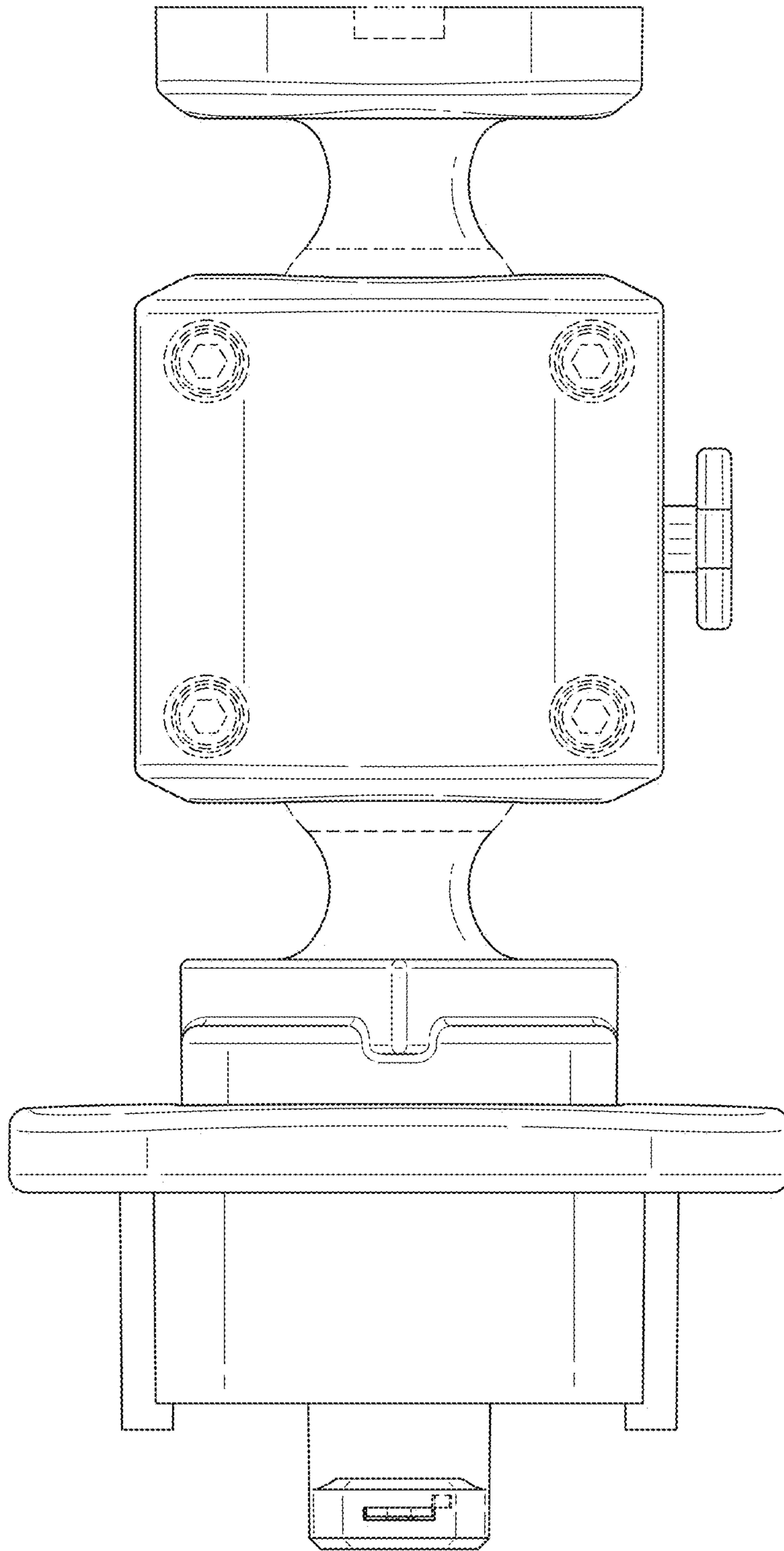


FIG. 2

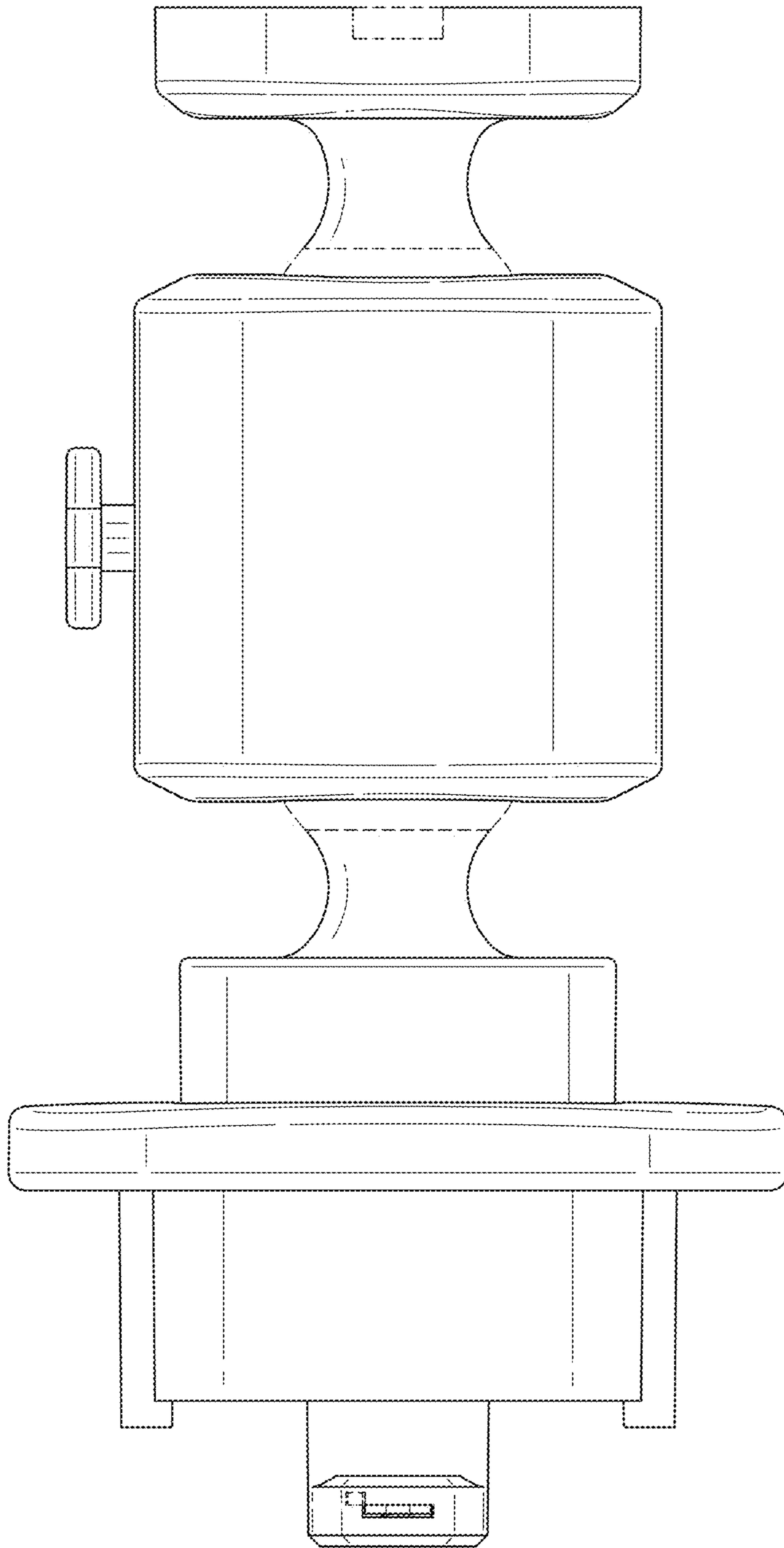


FIG. 3

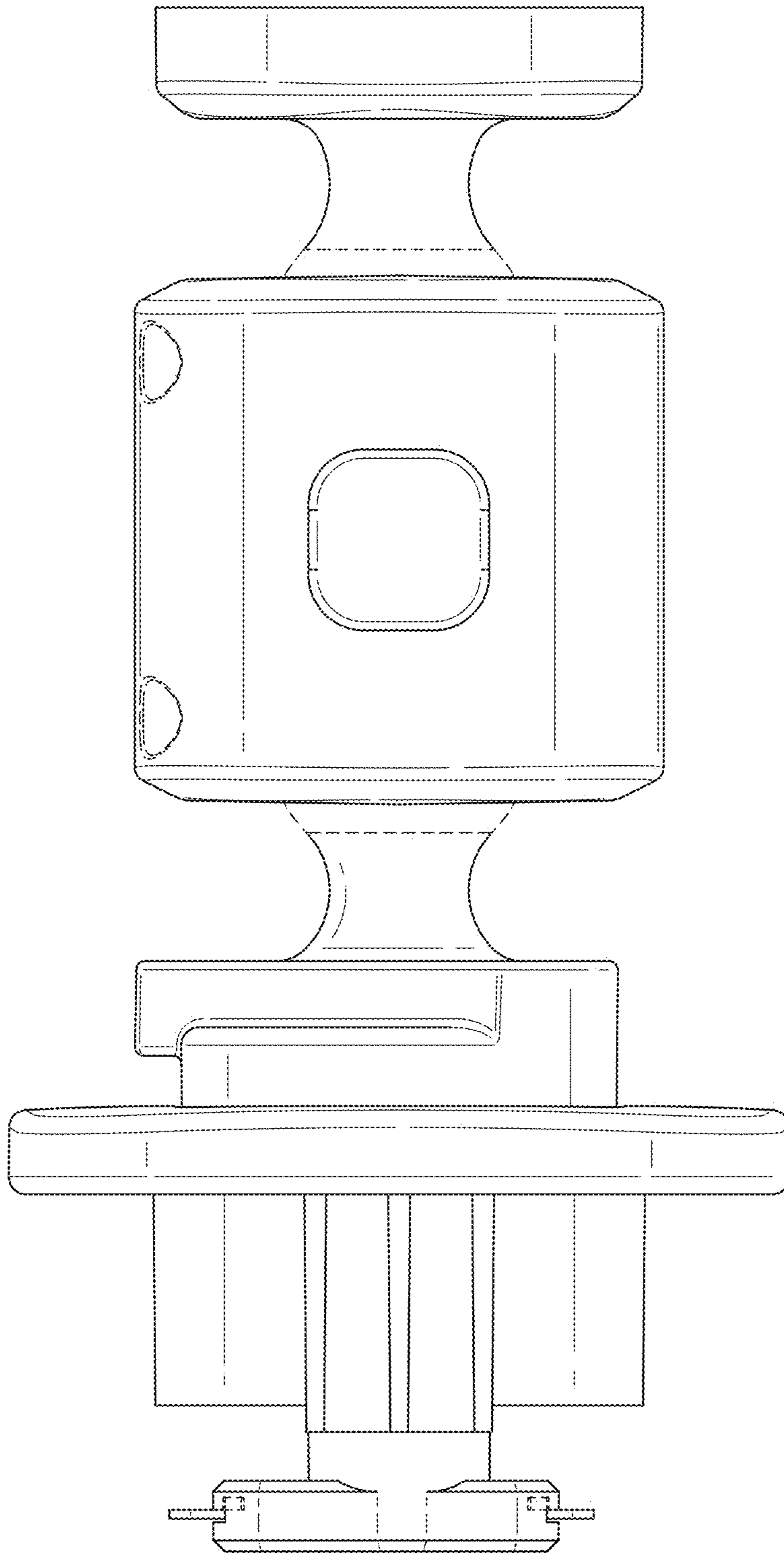


FIG. 4

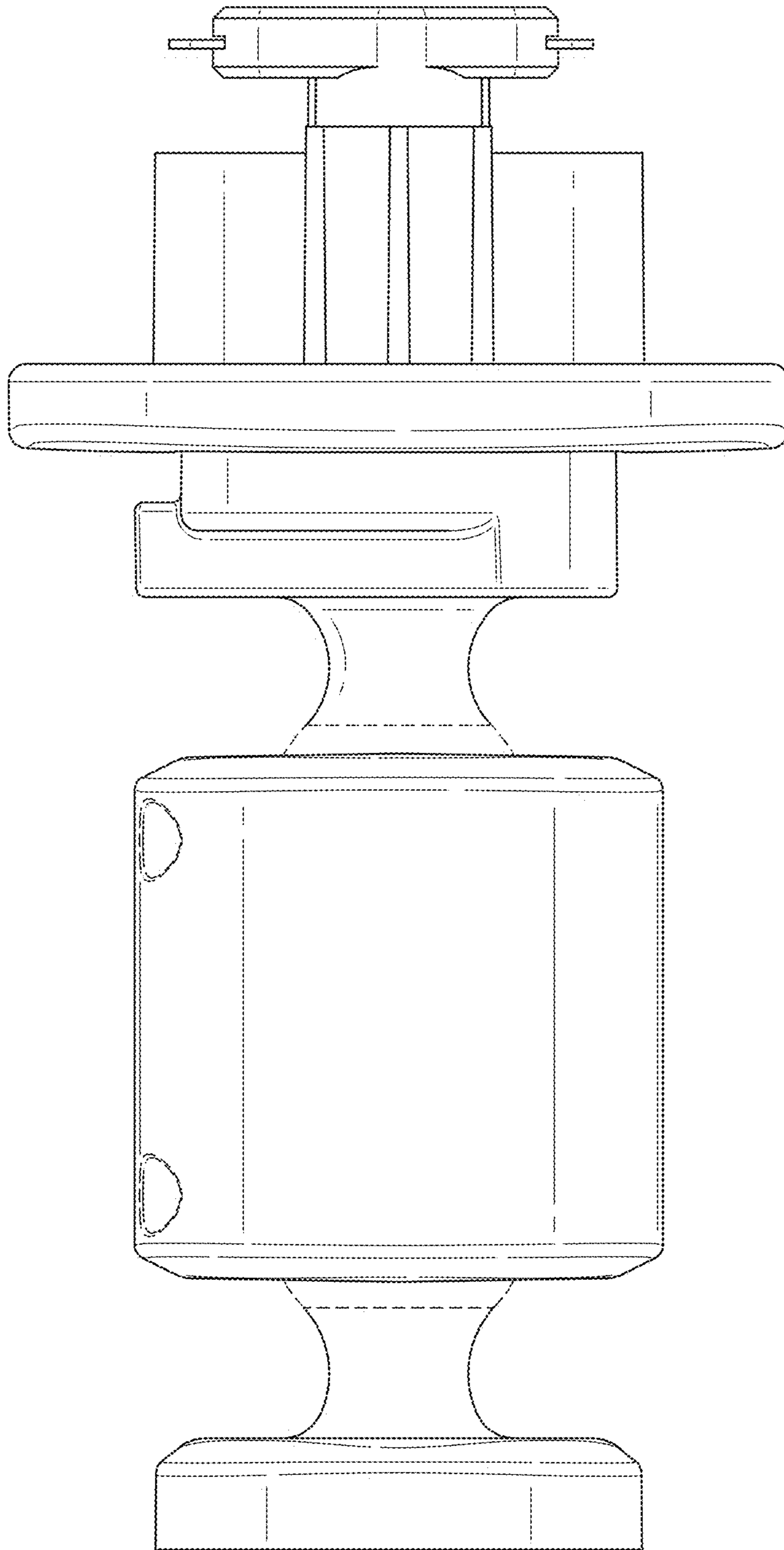


FIG. 5

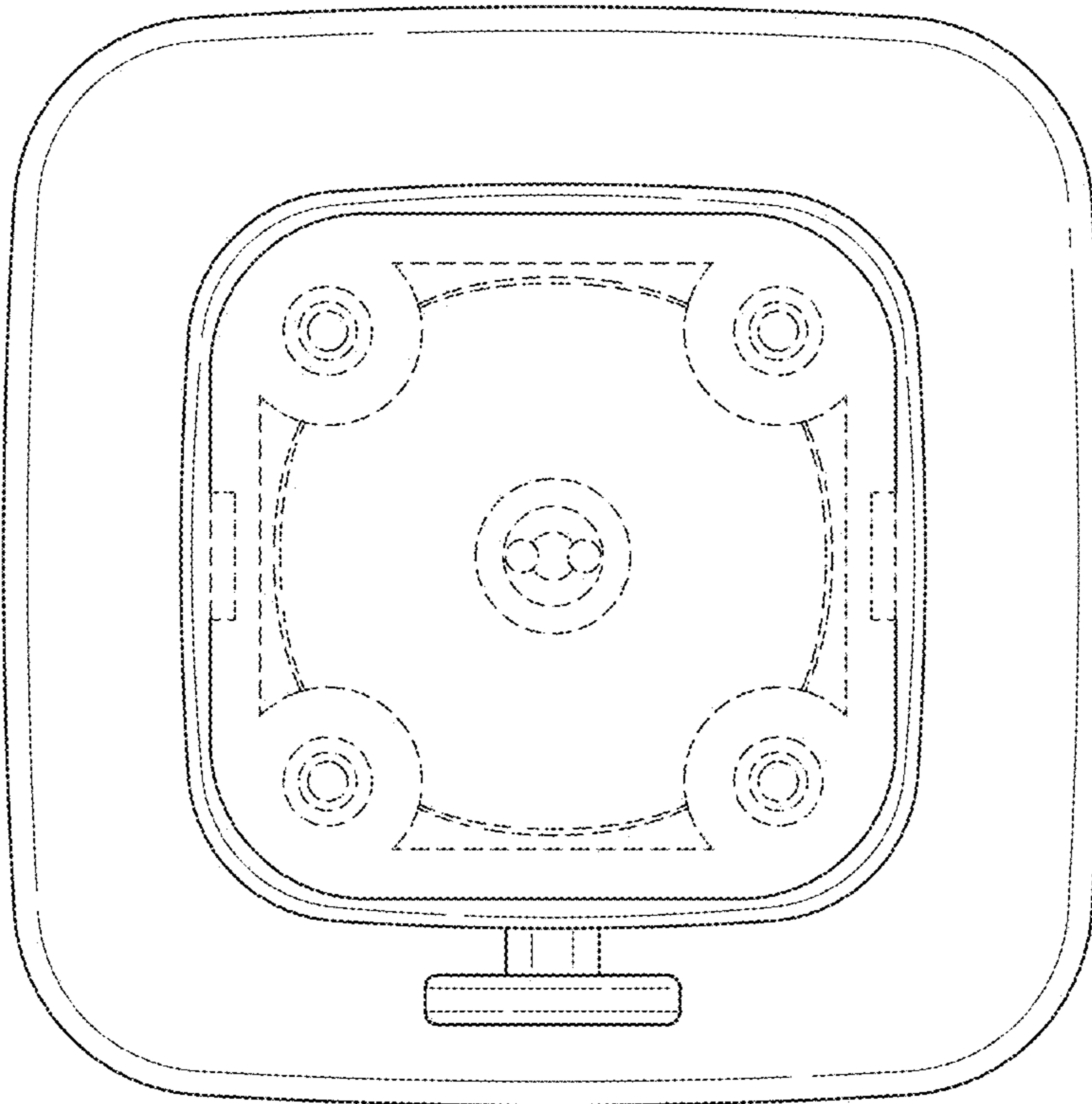


FIG. 6

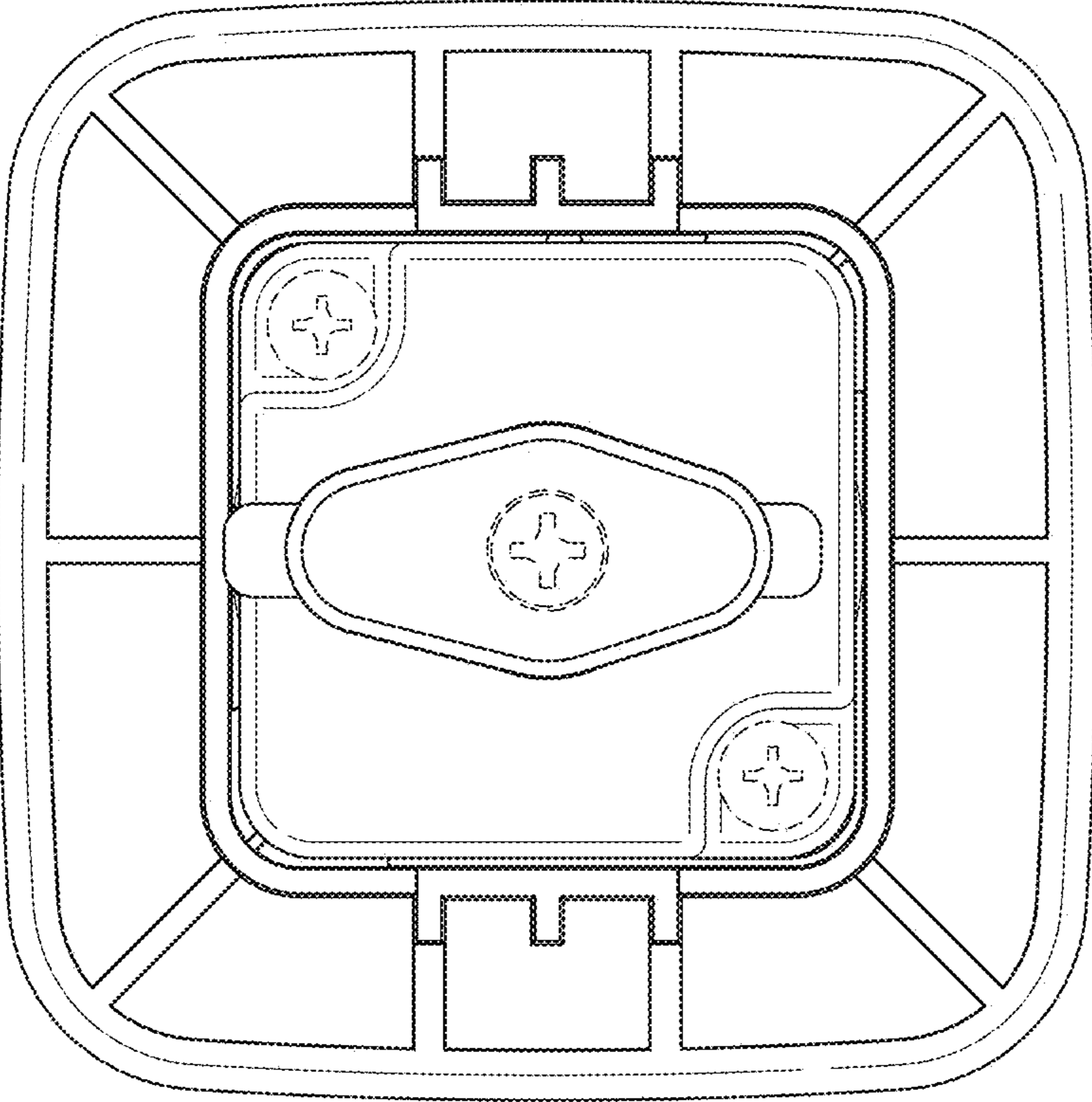


FIG. 7

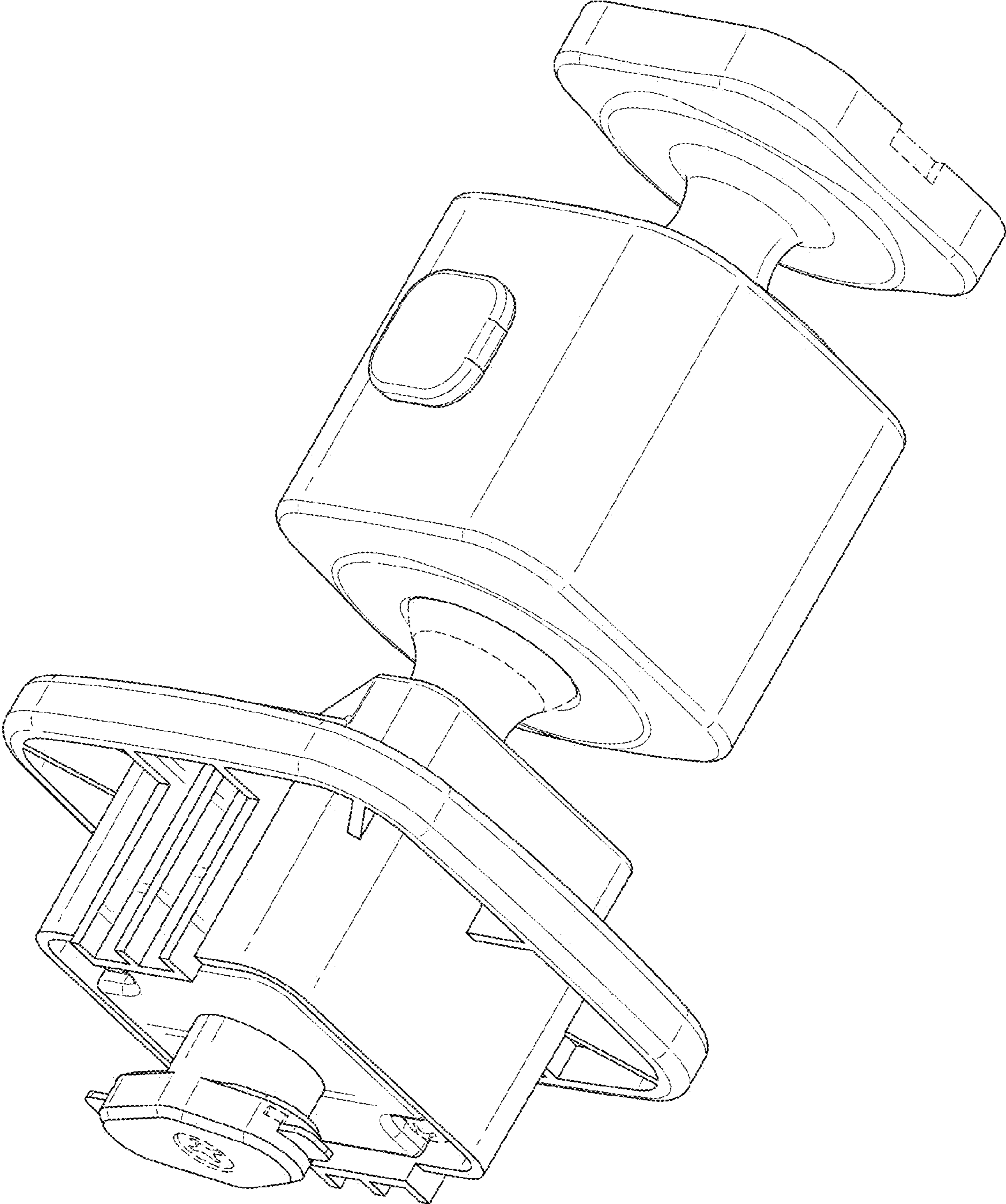


FIG. 8