



US00D890071S

(12) **United States Design Patent**
Nakajima

(10) **Patent No.:** **US D890,071 S**

(45) **Date of Patent:** **** Jul. 14, 2020**

(54) **WHEEL FOR AUTOMOBILE**

(71) Applicant: **Honda Motor Co., Ltd.**, Tokyo (JP)

(72) Inventor: **Ryota Nakajima**, Wako (JP)

(73) Assignee: **Honda Motor Co., Ltd.**, Tokyo (JP)

(**) Term: **15 Years**

(21) Appl. No.: **29/658,073**

(22) Filed: **Jul. 27, 2018**

(30) **Foreign Application Priority Data**

Jan. 31, 2018 (JP) 2018-001859

(51) **LOC (12) Cl.** **12-16**

(52) **U.S. Cl.**
USPC **D12/211**

(58) **Field of Classification Search**
USPC D12/204-213; D21/563
CPC B60B 7/00; B60B 7/02; B60B 7/04; B60B 7/01;
B60B 7/06; B60B 3/02; B60B 3/04;
B60B 3/06; B60B 3/10; B60B 1/00;
B60B 1/08; B60B 1/10; B60B 1/12
See application file for complete search history.

(56) **References Cited**

U.S. PATENT DOCUMENTS

D429,681 S * 8/2000 Cullen D12/211
D525,184 S * 7/2006 Huet D12/211
D582,335 S * 12/2008 Rak D12/211
D594,801 S * 6/2009 Imai D12/211

D597,919 S * 8/2009 Atwell D12/211
D605,574 S * 12/2009 Abdallah D12/211
D623,112 S * 9/2010 Geisler D12/211
D644,977 S * 9/2011 Juergens D12/211
D673,104 S * 12/2012 Lemke D12/211
D682,764 S * 5/2013 Amezketta D12/211
D702,614 S * 4/2014 Lemke D12/211
D726,091 S * 4/2015 Mays D12/211
D741,237 S * 10/2015 Furst D12/209
D744,403 S * 12/2015 Mielke D12/211
D751,020 S * 3/2016 Mahoney D12/211
D753,574 S * 4/2016 Mielke D12/211
D769,171 S * 10/2016 Johnson D12/211
D784,893 S * 4/2017 Pieri D12/211
D785,535 S * 5/2017 Valencia Pollex D12/209
D811,979 S * 3/2018 Svensson D12/211
D836,052 S * 12/2018 Sempek D12/209
D865,614 S * 11/2019 Melikian D12/209
D867,253 S * 11/2019 Smock D12/209

* cited by examiner

Primary Examiner — Stacia A Cadmus
(74) *Attorney, Agent, or Firm* — Plumsea Law Group, LLC

(57) **CLAIM**

The ornamental design for a wheel for automobile, as shown and described.

DESCRIPTION

FIG. 1 is a perspective view of a wheel for automobile; and, FIG. 2 is a front elevation view thereof. The broken lines shown in the drawings illustrate portions of the wheel for automobile that form no part of the claimed design.

1 Claim, 2 Drawing Sheets

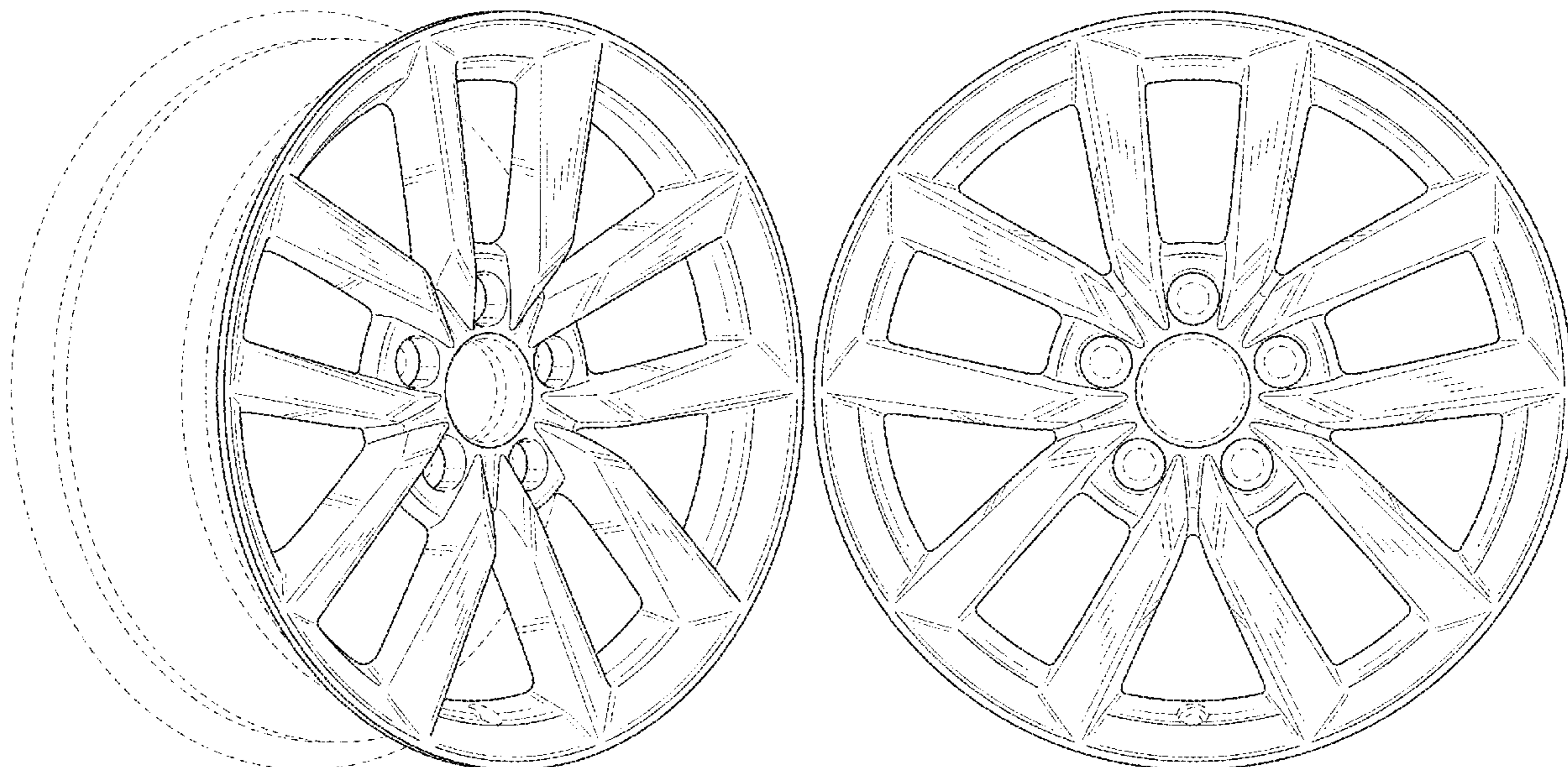


FIG. 1

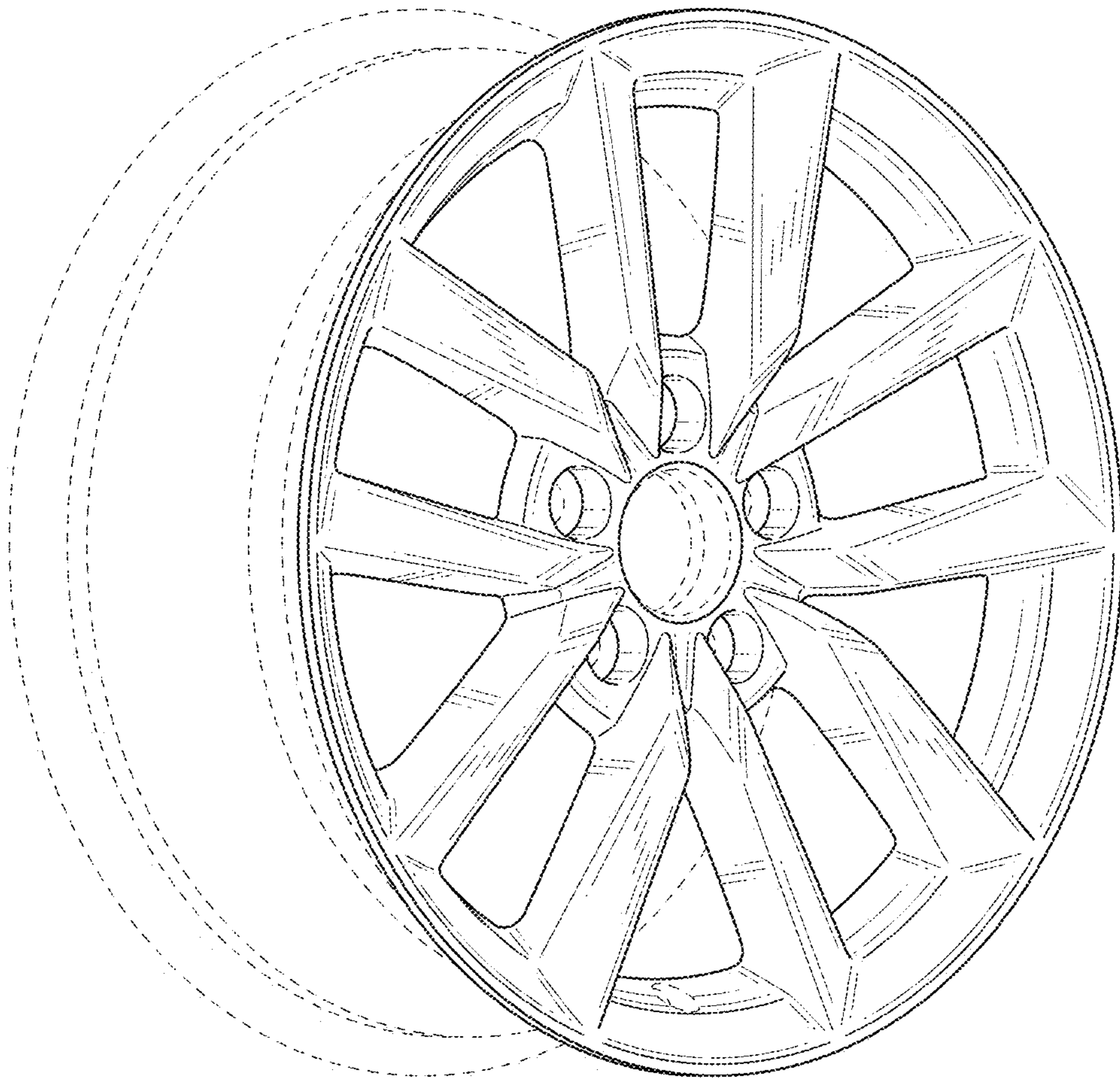


FIG. 2

