



US00D890070S

(12) **United States Design Patent**  
**Mukti**

(10) **Patent No.:** **US D890,070 S**

(45) **Date of Patent:** **\*\* Jul. 14, 2020**

(54) **VEHICLE WHEEL**

(71) Applicant: **Quarsa, LLC**, Chino, CA (US)

(72) Inventor: **Ali Mukti**, Surabaya (ID)

(73) Assignee: **QUARSA, LLC**, Chino, CA (US)

(\*\*) Term: **15 Years**

(21) Appl. No.: **29/687,845**

(22) Filed: **Apr. 16, 2019**

(51) **LOC (12) Cl.** ..... **12-16**

(52) **U.S. Cl.**  
USPC ..... **D12/210**

(58) **Field of Classification Search**

USPC ..... D12/204-213; D21/563

CPC .... B60B 7/00; B60B 7/02; B60B 7/04; B60B

7/01; B60B 7/06; B60B 3/02; B60B 3/04;

B60B 3/06; B60B 3/10; B60B 1/00;

B60B 1/08; B60B 1/10; B60B 1/12

See application file for complete search history.

(56) **References Cited**

**U.S. PATENT DOCUMENTS**

D576,093 S \* 9/2008 Chung ..... D12/210

D582,827 S \* 12/2008 Musser ..... D12/210

D624,477 S \* 9/2010 McMath ..... D12/210

D680,938 S \* 4/2013 Hale, Jr. .... D12/210

D705,154 S \* 5/2014 Harriton ..... D12/209

D797,027 S \* 9/2017 Guo ..... D12/210

D860,911 S \* 9/2019 Han ..... D12/210

\* cited by examiner

*Primary Examiner* — Stacia A Cadmus

(74) *Attorney, Agent, or Firm* — Snell & Wilmer LLP

(57) **CLAIM**

I claim the ornamental design for a vehicle wheel, as shown and described.

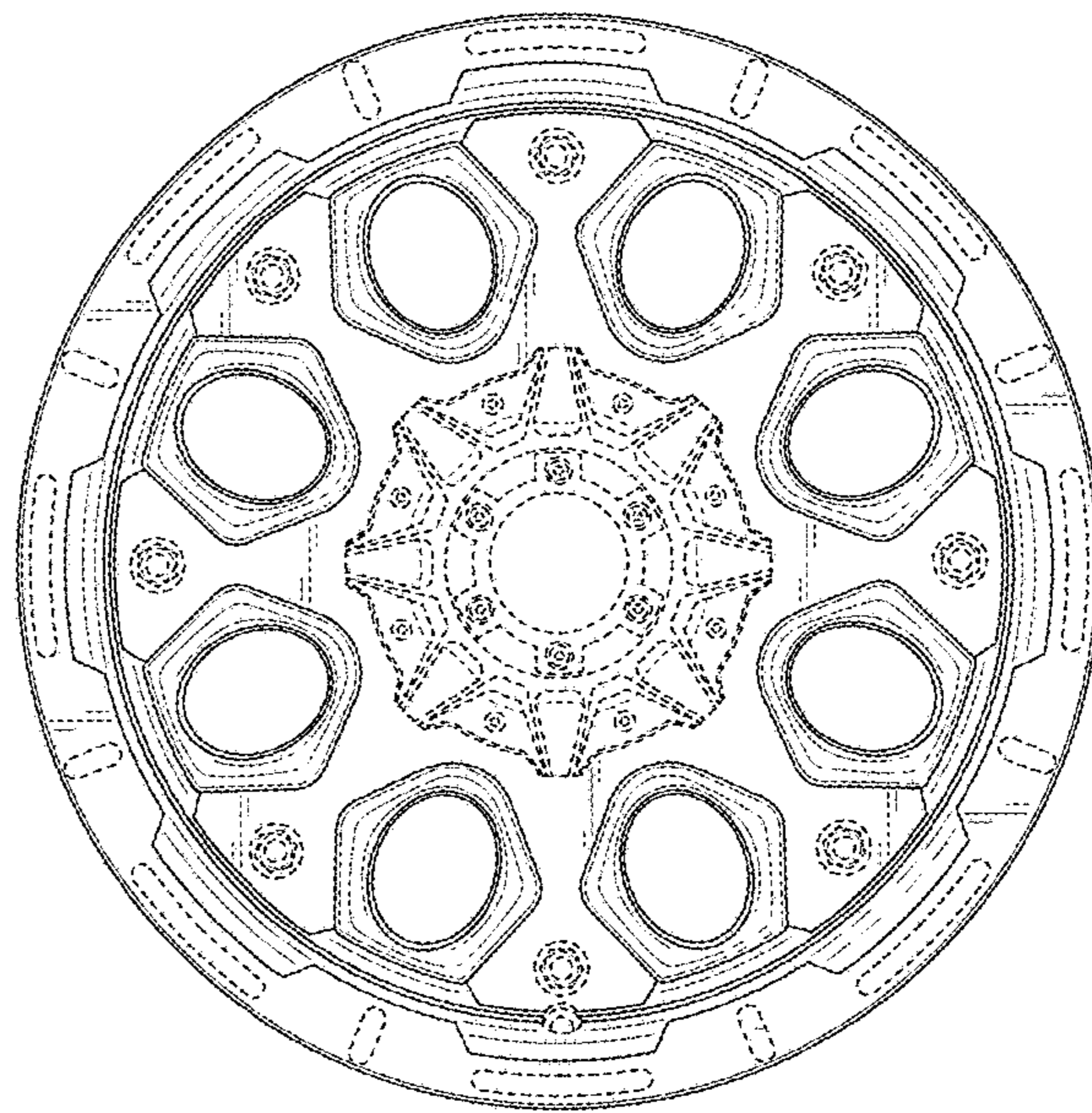
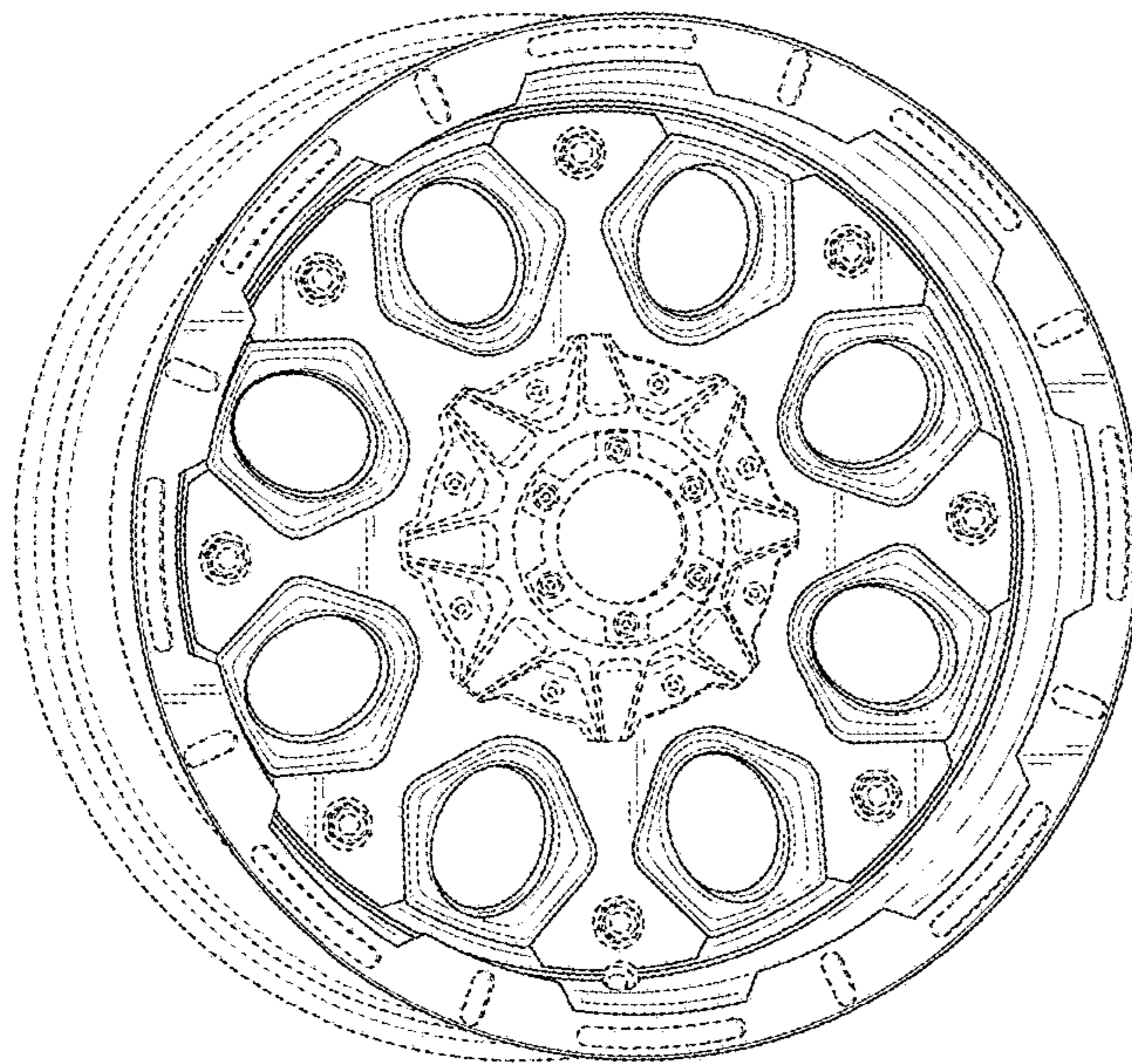
**DESCRIPTION**

FIG. 1 is a perspective view of the vehicle wheel showing my new design; and,

FIG. 2 is a front view of the vehicle wheel.

In the drawings, the broken lines depict environmental subject matter and form no part of the claimed design.

**1 Claim, 2 Drawing Sheets**



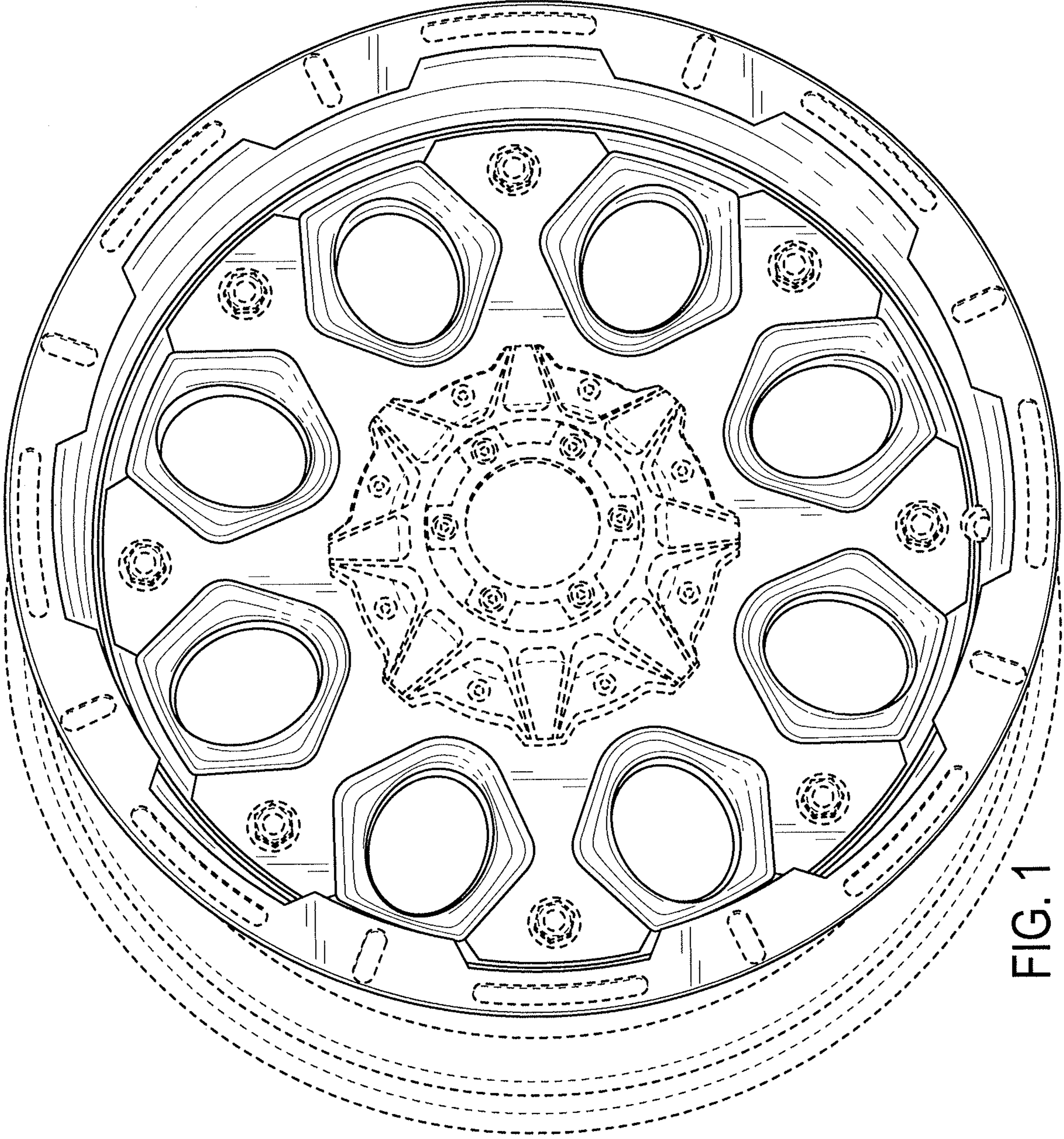


FIG. 1

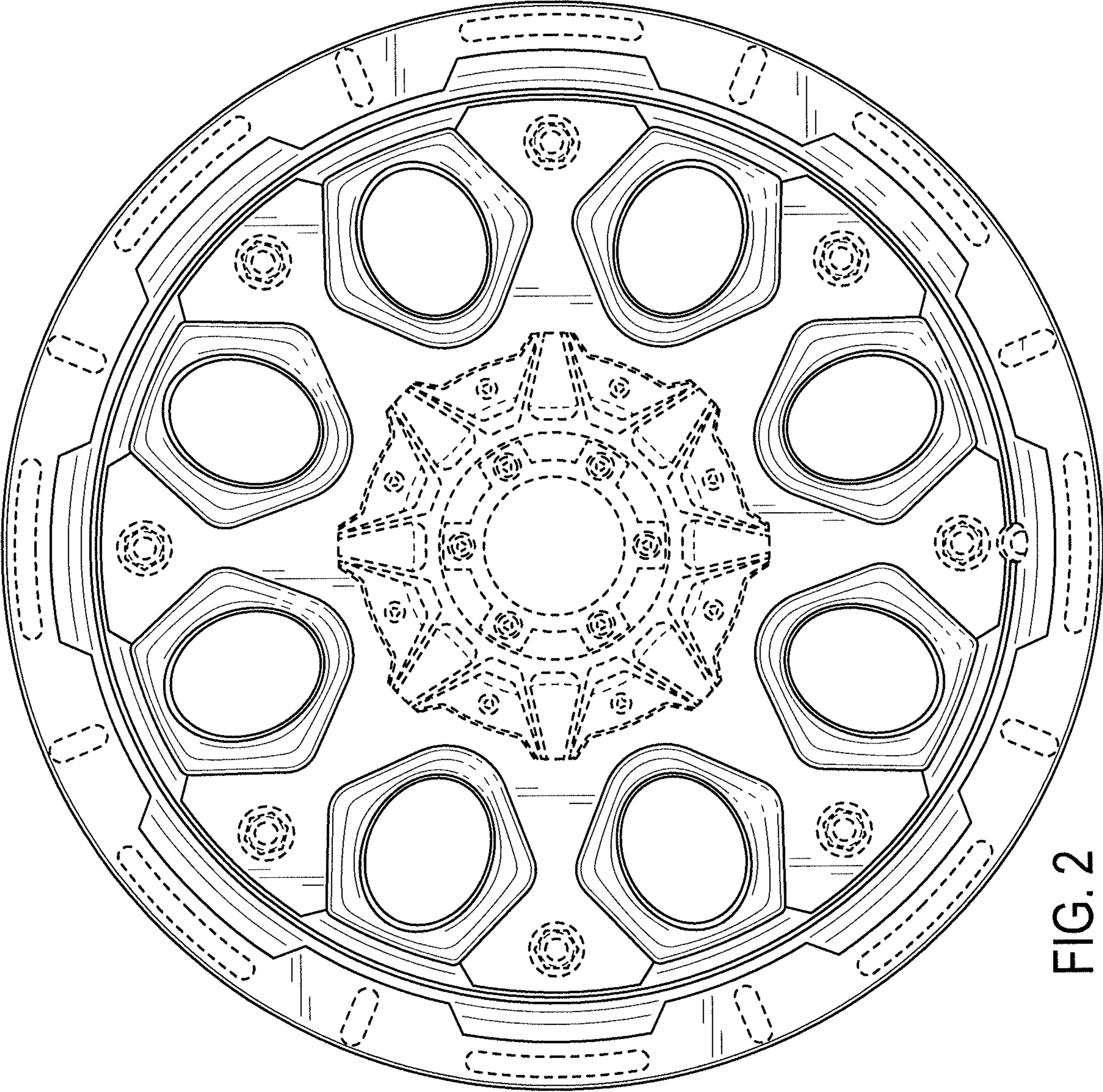


FIG. 2