



US00D890066S

(12) **United States Design Patent**
Metros et al.

(10) **Patent No.:** **US D890,066 S**

(45) **Date of Patent:** **** Jul. 14, 2020**

(54) **VEHICLE WHEEL**

(71) Applicant: **Ford Global Technologies, LLC,**
Dearborn, MI (US)

(72) Inventors: **Craig Metros,** Bloomfield, MI (US);
George Bucher, Dearborn, MI (US);
James Grake, Beverly Hills, MI (US);
Adam Riccobelli, Ferndale, MI (US)

(73) Assignee: **Ford Global Technologies, LLC,**
Dearborn, MI (US)

(**) Term: **15 Years**

(21) Appl. No.: **29/685,411**

(22) Filed: **Mar. 28, 2019**

(51) **LOC (12) Cl.** **12-16**

(52) **U.S. Cl.**
USPC **D12/209**

(58) **Field of Classification Search**
USPC D12/204–213; D21/563
CPC B60B 7/00; B60B 7/02; B60B 7/04; B60B
7/01; B60B 7/06; B60B 3/02; B60B 3/04;
B60B 3/06; B60B 3/10; B60B 1/00;
B60B 1/08; B60B 1/10; B60B 1/12
See application file for complete search history.

(56) **References Cited**

U.S. PATENT DOCUMENTS

D643,356 S 8/2011 Gotschke
D644,587 S 9/2011 Gotschke

D647,449 S 10/2011 Gotschke
D667,355 S 9/2012 Gotschke
D667,767 S 9/2012 Gotschke
D698,297 S * 1/2014 Chung D12/209
D720,272 S * 12/2014 Rueckheim D12/209
D733,024 S * 6/2015 Valencia Pollex D12/209
D761,180 S 7/2016 Bucher et al.
D761,181 S 7/2016 Bucher et al.
D773,370 S 12/2016 Bucher et al.
D773,371 S 12/2016 Bucher et al.
D778,801 S 2/2017 Bucher et al.
D788,673 S * 6/2017 Krause D12/209
D791,039 S * 7/2017 Rueckheim D12/209
D791,047 S 7/2017 Bucher et al.
D791,671 S 7/2017 Bucher et al.
D797,635 S * 9/2017 Rueckheim D12/209
D847,063 S * 4/2019 Kikuchi D12/209
D847,068 S * 4/2019 Juergens D12/209
D847,073 S * 4/2019 Khachatryan D12/209
D852,704 S * 7/2019 Khachatryan D12/209
D861,566 S * 10/2019 Kippes D12/209
D877,026 S * 3/2020 Rosello Visa D12/209

* cited by examiner

Primary Examiner — Stacia A Cadmus

(74) *Attorney, Agent, or Firm* — Vichit Chea

(57) **CLAIM**

The ornamental design for a vehicle wheel, as shown and described.

DESCRIPTION

FIG. 1 is a front elevational view of a vehicle wheel showing our new design; and, FIG. 2 is a perspective view thereof.

1 Claim, 2 Drawing Sheets

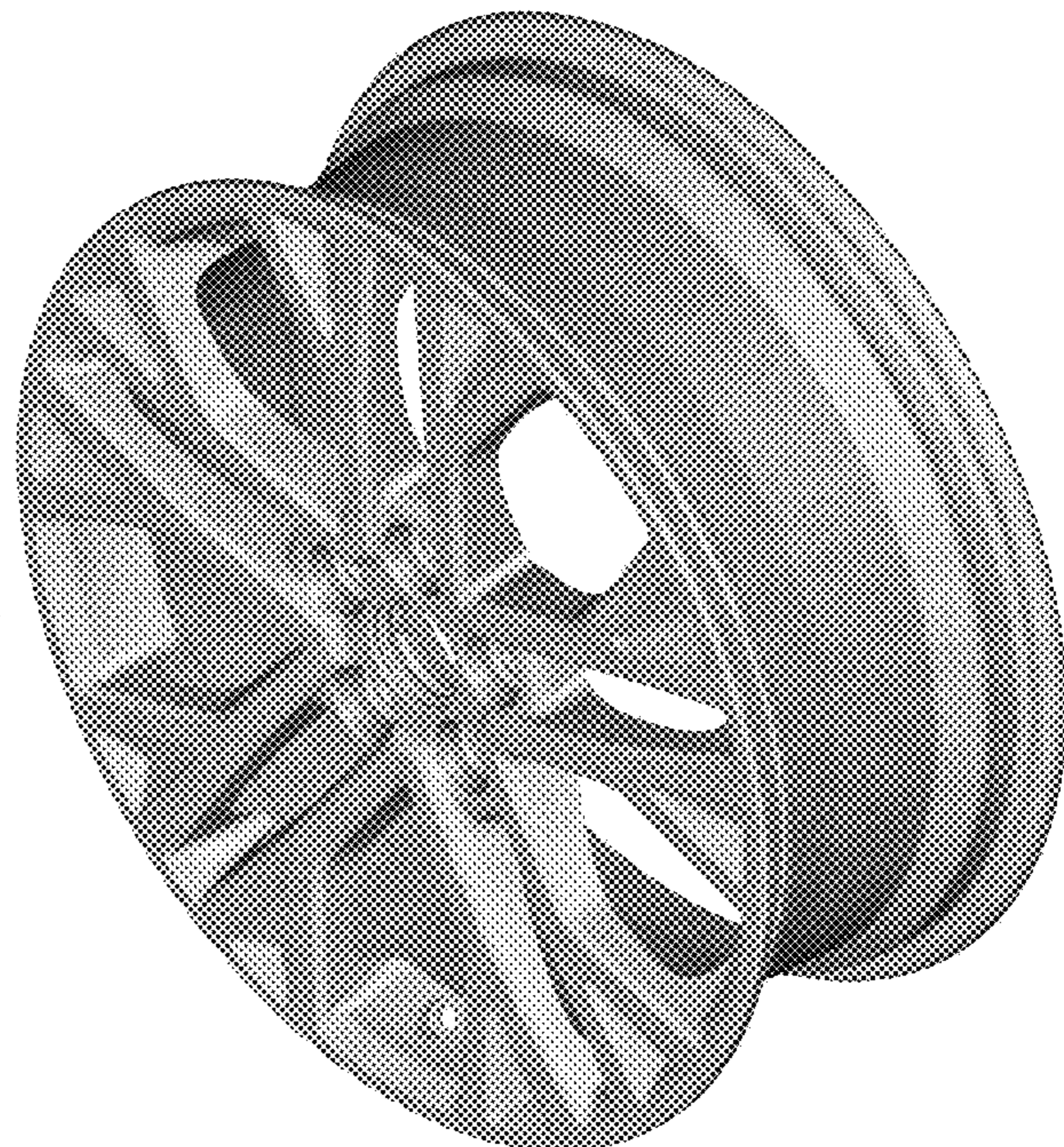
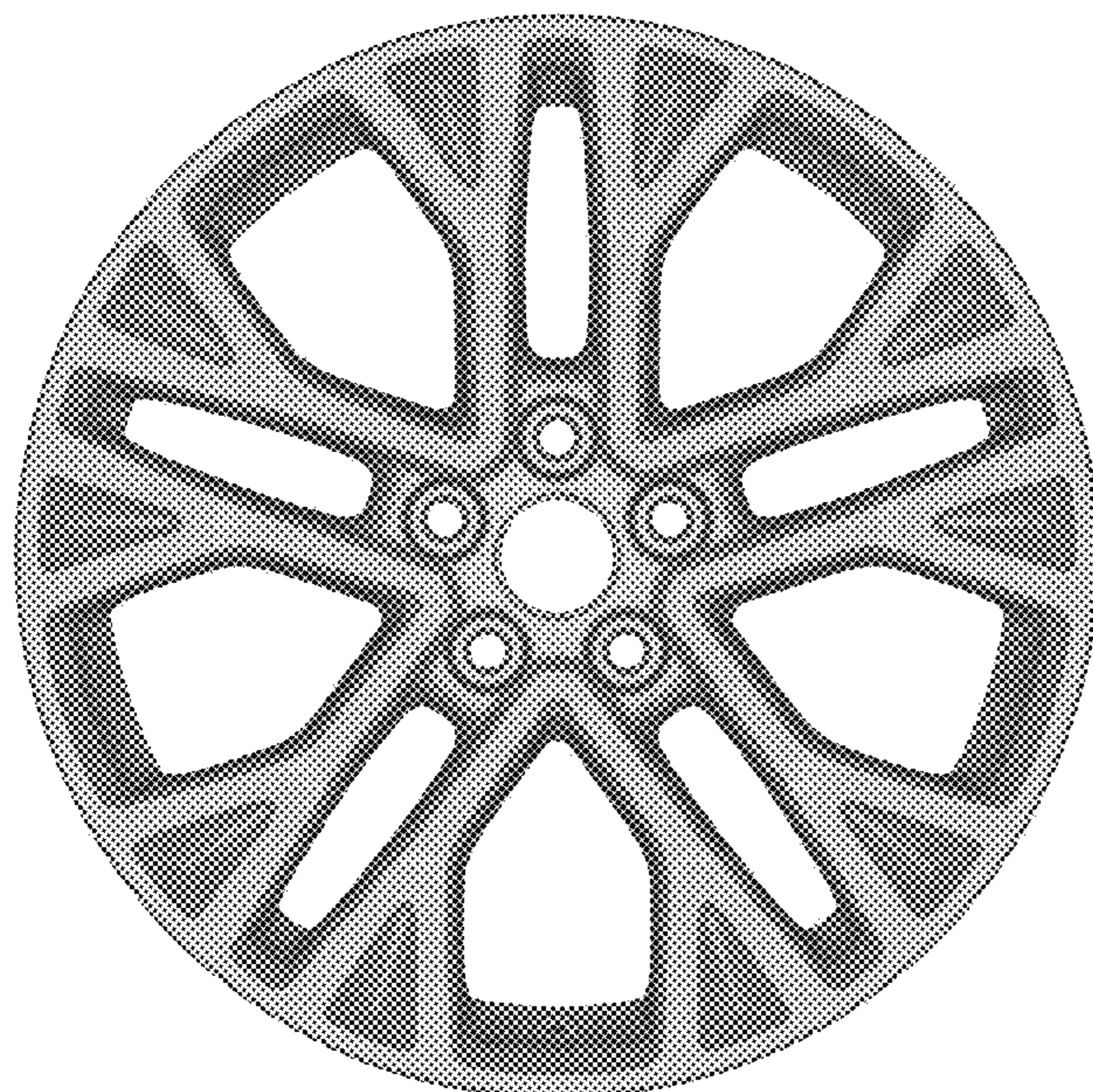




Fig. 1

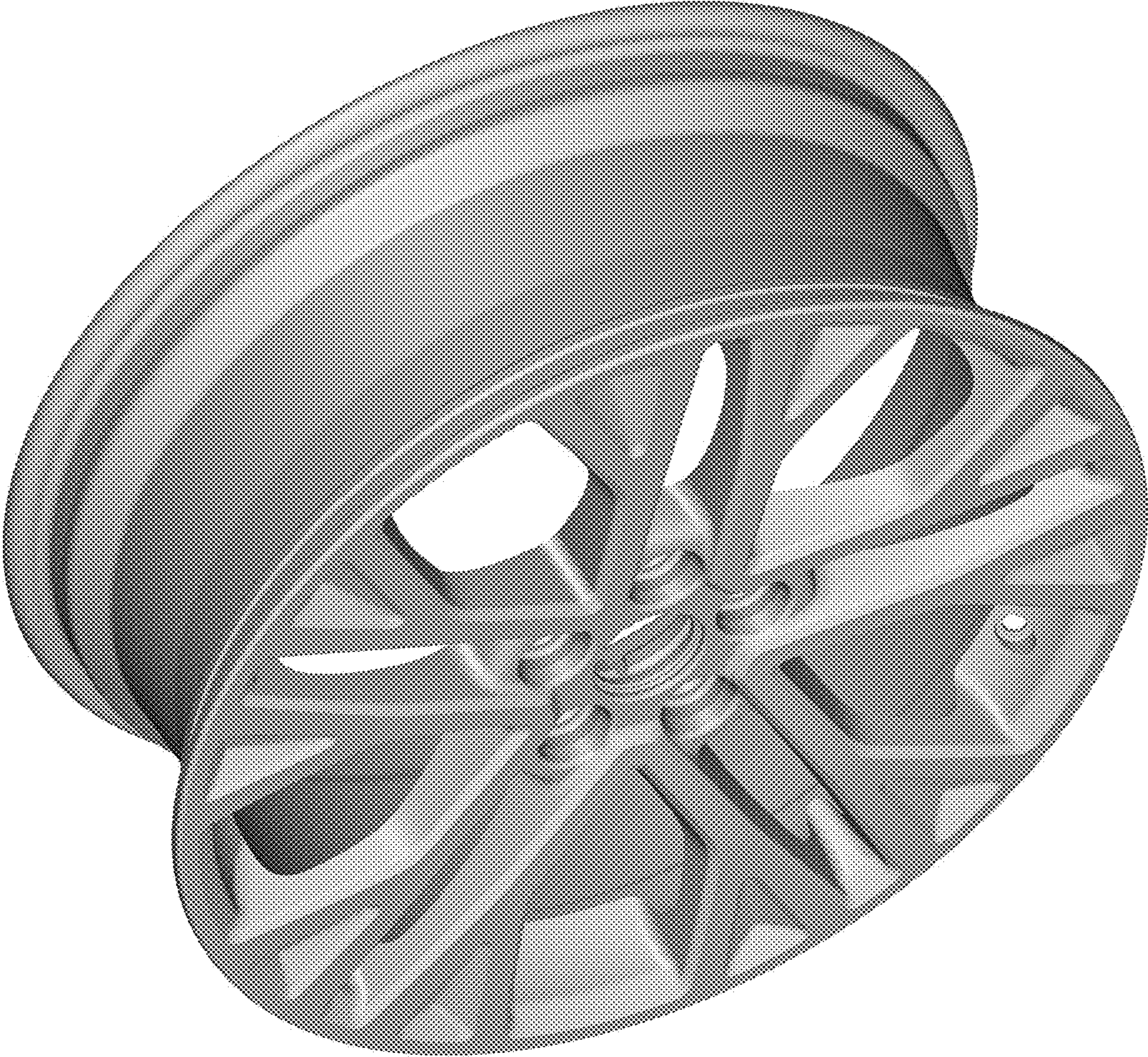


Fig. 2