



US00D890062S

(12) **United States Design Patent**
Platto et al.

(10) **Patent No.:** **US D890,062 S**

(45) **Date of Patent:** **** Jul. 14, 2020**

(54) **VEHICLE WHEEL**

(71) Applicant: **Ford Global Technologies, LLC,**
Dearborn, MI (US)

(72) Inventors: **Gordon Platto,** Troy, MI (US); **Sean Tant,** Livonia, MI (US); **Joshua Henry,** Detroit, MI (US); **Junghan Kim,** Troy, MI (US)

(73) Assignee: **Ford Global Technologies, LLC,**
Dearborn, MI (US)

(**) Term: **15 Years**

(21) Appl. No.: **29/678,080**

(22) Filed: **Jan. 25, 2019**

(51) **LOC (12) Cl.** **12-16**

(52) **U.S. Cl.**
USPC **D12/209**

(58) **Field of Classification Search**
USPC D12/204–213; D21/563
CPC B60B 7/00; B60B 7/02; B60B 7/04; B60B 7/01; B60B 7/06; B60B 3/02; B60B 3/04; B60B 3/06; B60B 3/10; B60B 1/00; B60B 1/08; B60B 1/10; B60B 1/12
See application file for complete search history.

(56) **References Cited**

U.S. PATENT DOCUMENTS

D519,899 S * 5/2006 Metros D12/209
D544,426 S 6/2007 Siler

D551,146 S * 9/2007 Hueller D12/209
D597,916 S * 8/2009 Chung D12/209
D612,789 S * 3/2010 Tant D12/211
D613,228 S * 4/2010 Juergens D12/209
D614,111 S * 4/2010 Tant D12/211
D668,196 S 10/2012 Tant et al.
D668,199 S * 10/2012 Tant D12/211
D751,018 S * 3/2016 Platto D12/209
D766,804 S * 9/2016 Goodrich D12/209
D783,488 S 4/2017 Platto et al.
D783,498 S 4/2017 Platto et al.
D783,499 S 4/2017 Platto et al.
D784,236 S 4/2017 Platto et al.
D784,237 S 4/2017 Platto et al.
D784,895 S 4/2017 Platto et al.
D788,006 S 5/2017 Platto et al.
D788,007 S 5/2017 Platto et al.

* cited by examiner

Primary Examiner — Stacia A Cadmus

(74) *Attorney, Agent, or Firm* — Vichit Chea

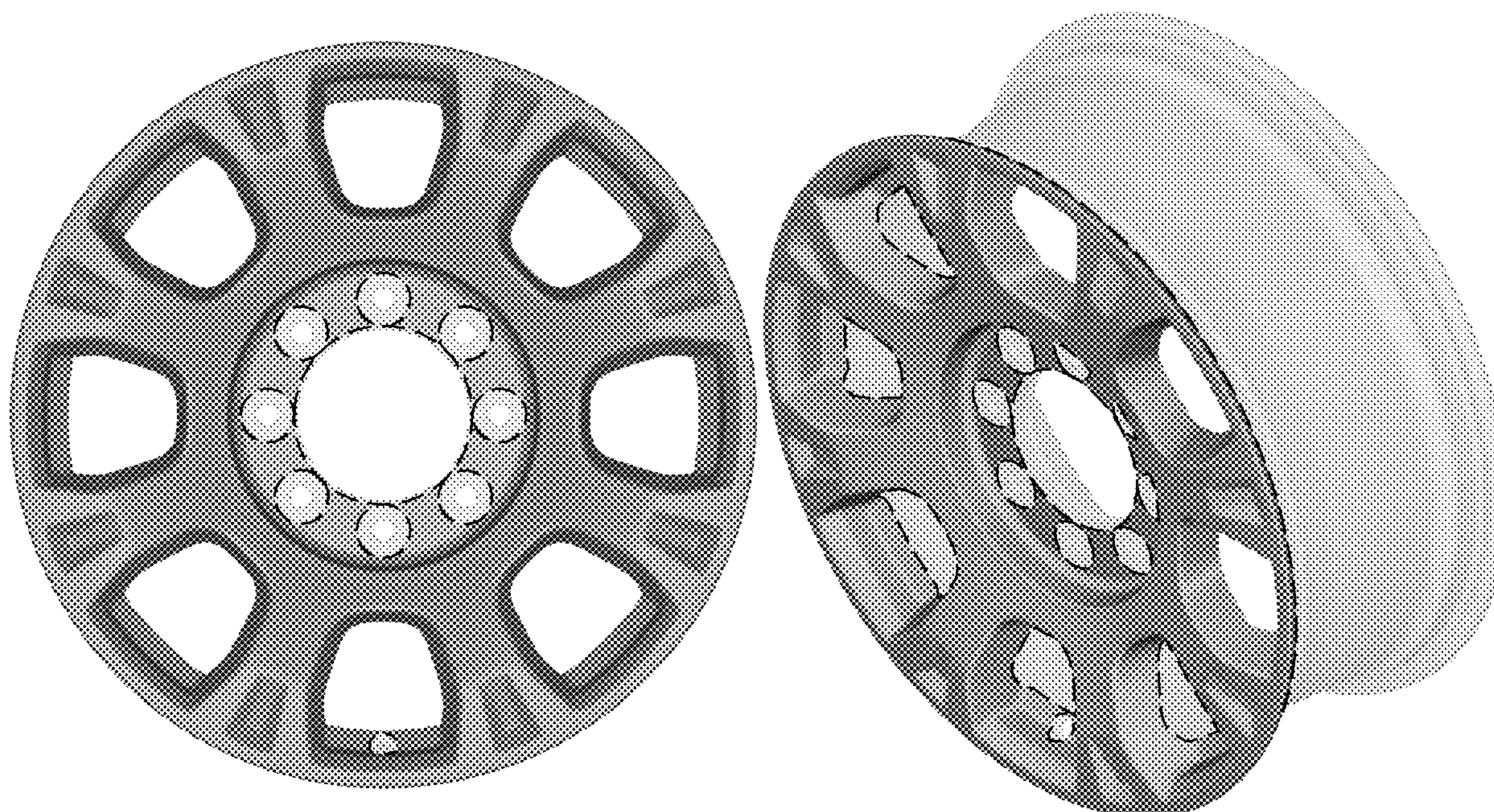
(57) **CLAIM**

The ornamental design for a vehicle wheel, as shown and described.

DESCRIPTION

FIG. 1 is a front elevational view of a vehicle wheel showing our new design; and, FIG. 2 is a perspective view thereof. Any broken lines represent an internal boundary of the design; the line itself and the area within form no part of the claim.

1 Claim, 2 Drawing Sheets



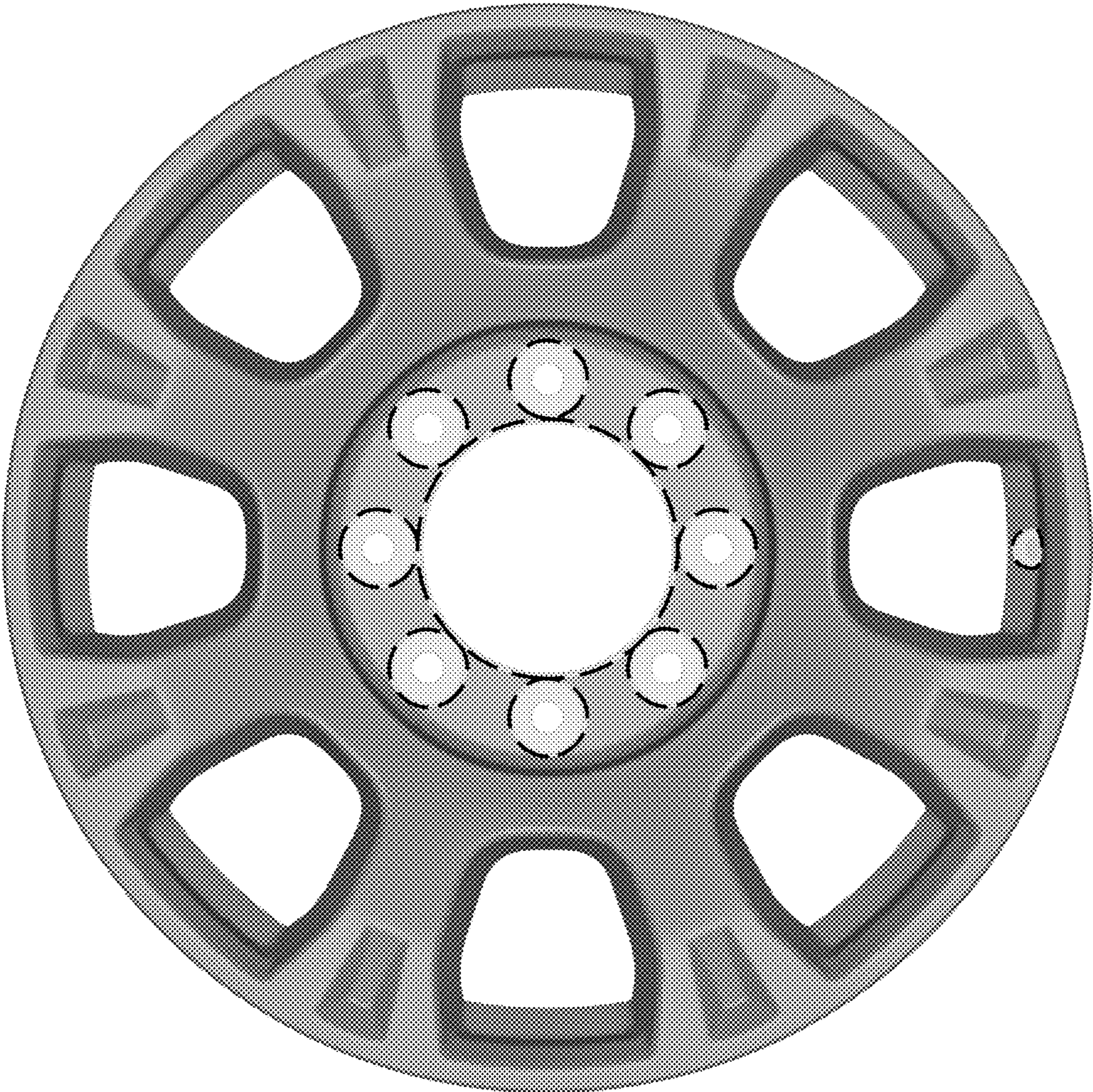


Fig. 1



Fig. 2