

US00D890061S

(12) **United States Design Patent** (10) **Patent No.:** **US D890,061 S**
Platto et al. (45) **Date of Patent:** **** Jul. 14, 2020**

(54) **VEHICLE WHEEL**
(71) Applicant: **Ford Global Technologies, LLC**,
Dearborn, MI (US)
(72) Inventors: **Gordon Platto**, Troy, MI (US); **Sean Tant**, Livonia, MI (US); **Joshua Henry**,
Detroit, MI (US); **Seunghee Oh**, Royal
Oak, MI (US)
(73) Assignee: **Ford Global Technologies, LLC**,
Dearborn, MI (US)
(**) Term: **15 Years**
(21) Appl. No.: **29/678,073**
(22) Filed: **Jan. 25, 2019**
(51) **LOC (12) Cl.** **12-16**
(52) **U.S. Cl.**
USPC **D12/209**
(58) **Field of Classification Search**
USPC D12/204-213; D21/563
CPC B60B 7/00; B60B 7/02; B60B 7/04; B60B
7/01; B60B 7/06; B60B 3/02; B60B 3/04;
B60B 3/06; B60B 3/10; B60B 1/00;
B60B 1/08; B60B 1/10; B60B 1/12
See application file for complete search history.

(56) **References Cited**

U.S. PATENT DOCUMENTS

D528,061 S * 9/2006 Saridakis D12/211
D544,426 S * 6/2007 Siler
D567,165 S * 4/2008 Truebsbach D12/209
D569,778 S * 5/2008 Kim D12/211
D614,112 S * 4/2010 Tant D12/211
D630,990 S * 1/2011 Cortes D12/209
D654,005 S * 2/2012 Mueller-Stolz D12/209

D668,196 S 10/2012 Tant et al.
D715,211 S * 10/2014 Gotschke D12/204
D719,889 S * 12/2014 Hodges D12/209
D732,449 S * 6/2015 Grake D12/209
D767,465 S * 9/2016 Liffick D12/209
D769,785 S * 10/2016 Wells D12/211
D780,084 S * 2/2017 Scheer D12/209
D783,488 S 4/2017 Platto et al.
D783,498 S 4/2017 Platto et al.
D783,499 S 4/2017 Platto et al.
D784,236 S 4/2017 Platto et al.
D784,237 S 4/2017 Platto et al.
D784,895 S 4/2017 Platto et al.
D788,006 S 5/2017 Platto et al.
D788,007 S 5/2017 Platto et al.
D793,320 S * 8/2017 Factor D12/209
D820,184 S * 6/2018 Bucher D12/209
D835,025 S * 12/2018 Metros D12/209
D848,927 S * 5/2019 Kleinschuster D12/211
D855,002 S * 7/2019 Ranum D12/211
D856,250 S * 8/2019 Dewitt D12/209
D856,251 S * 8/2019 Dewitt D12/209
D871,997 S * 1/2020 Itaya D12/209

* cited by examiner

Primary Examiner — Stacia A Cadmus

(74) *Attorney, Agent, or Firm* — Vichit Chea

(57) **CLAIM**

The ornamental design for a vehicle wheel, as shown and described.

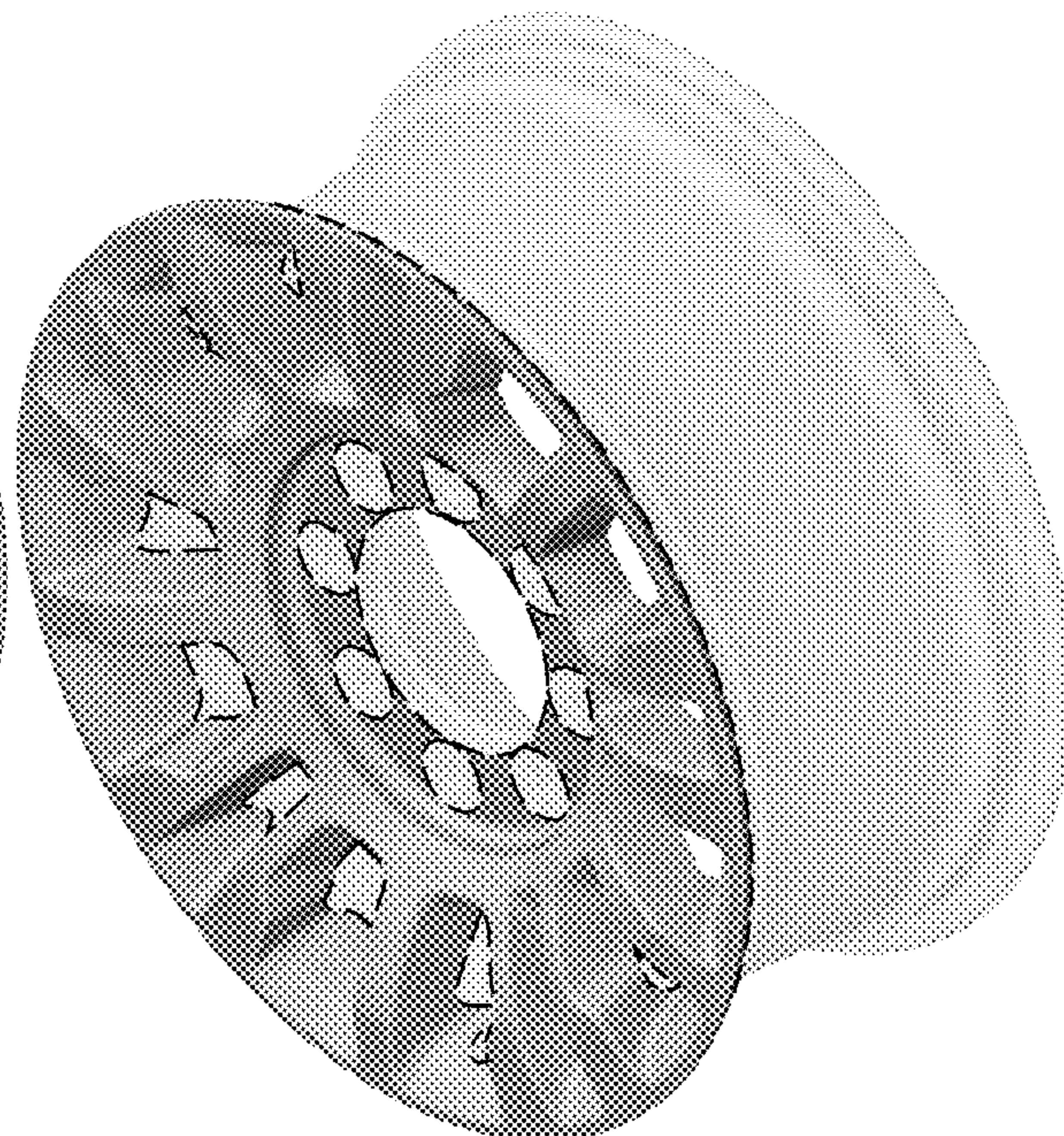
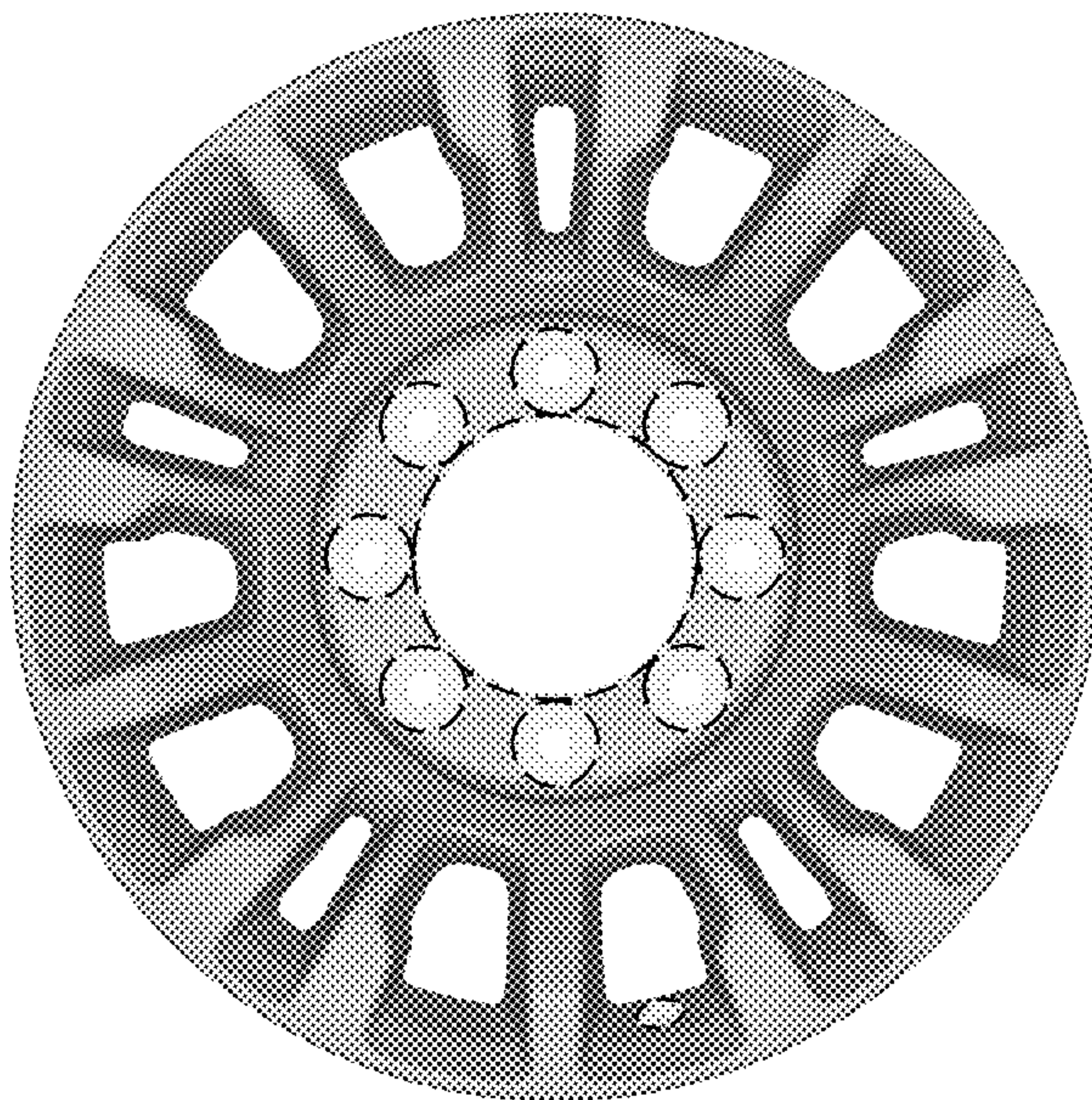
DESCRIPTION

FIG. 1 is a front elevational view of a vehicle wheel showing our new design; and,

FIG. 2 is a perspective view thereof.

Any broken lines represent an internal boundary of the design; the line itself and the area within form no part of the claim.

1 Claim, 2 Drawing Sheets



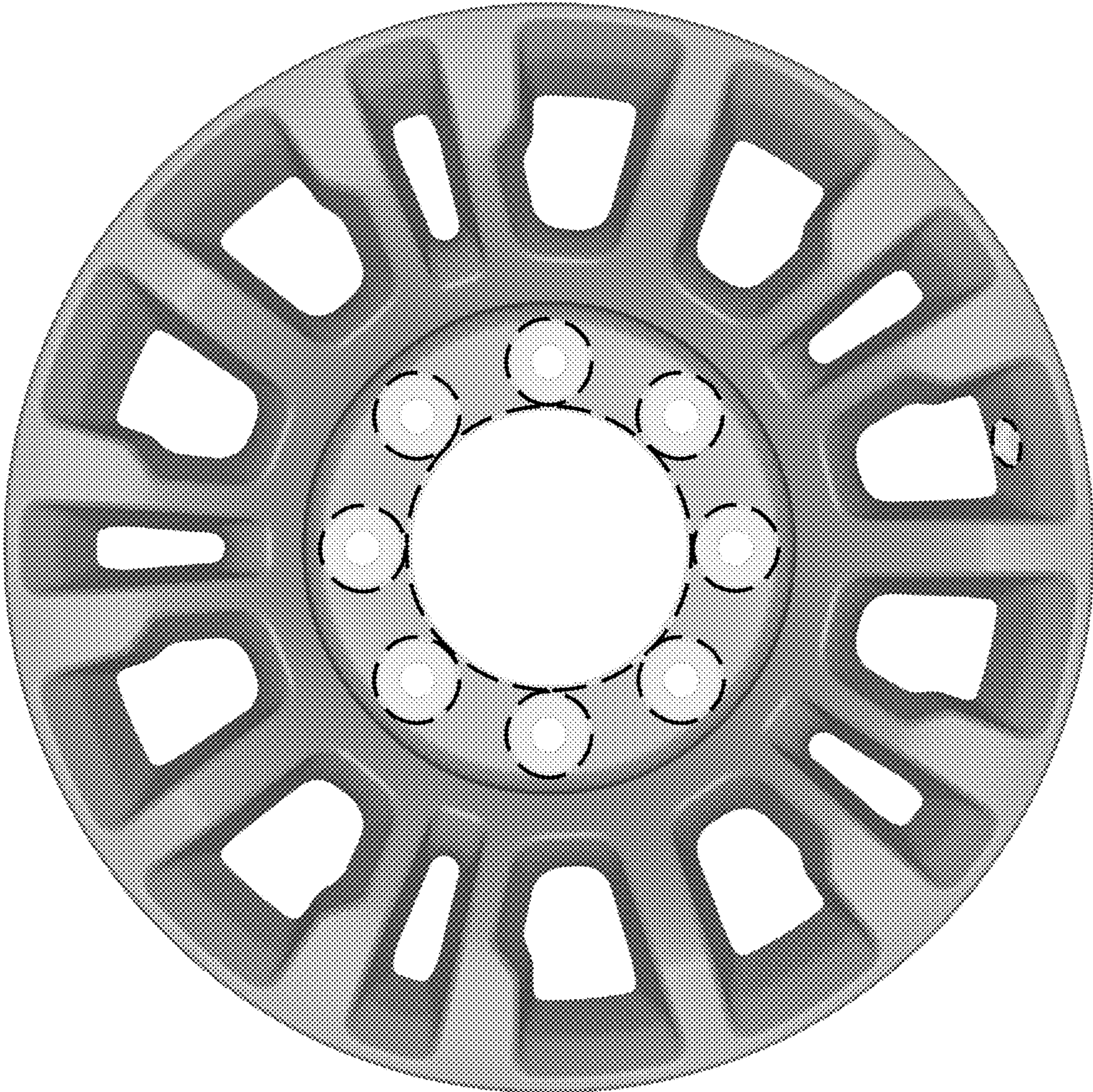


Fig. 1



Fig. 2