



US00D890057S

(12) **United States Design Patent**
Lim et al.

(10) **Patent No.:** **US D890,057 S**

(45) **Date of Patent:** **** Jul. 14, 2020**

(54) **FRONT DOOR PANEL FOR AN
AUTOMOBILE**

(71) Applicants: **Hyundai Motor Company**, Seoul
(KR); **Kia Motors Corporation**, Seoul
(KR)

(72) Inventors: **Dae Hwan Lim**, Ansan-si (KR);
Kyeong Kuk Cho, Ansan-si (KR)

(73) Assignees: **Hyundai Motor Company**, Seoul
(KR); **Kia Motors Corporation**, Seoul
(KR)

(**) Term: **15 Years**

(21) Appl. No.: **35/506,879**

(22) Filed: **Dec. 7, 2018**

(80) **Hague Agreement Data**

Int. Filing Date: **Dec. 7, 2018**

Int. Reg. No.: **DM/200290**

Int. Reg. Date: **Dec. 7, 2018**

Int. Reg. Pub. Date: **Jun. 14, 2019**

(51) **LOC (12) Cl.** **12-16**

(52) **U.S. Cl.**
USPC **D12/196**

(58) **Field of Classification Search**
USPC D12/90, 91, 92, 184, 196; D24/533, 548,
D24/549
CPC B62D 25/02; B62D 25/18; B62D 25/08;
B62D 35/00; B62D 35/005; B60J 5/04;
B60R 19/02; B60R 19/04

See application file for complete search history.

(56) **References Cited**

U.S. PATENT DOCUMENTS

D580,332 S	*	11/2008	Gueler	D12/196
D641,290 S	*	7/2011	Mueller	D12/91
D660,758 S	*	5/2012	Hakamata	D12/196
D749,479 S	*	2/2016	Choi	D12/196
D762,524 S	*	8/2016	Luk	D12/91
D780,082 S	*	2/2017	Bae	D12/196
D785,531 S	*	5/2017	Lim	D12/196
D786,761 S	*	5/2017	Luk	D12/196
D822,568 S	*	7/2018	Choi	D12/196
D827,534 S	*	9/2018	Simm	D12/196
D832,759 S	*	11/2018	Kwak	D12/196

* cited by examiner

Primary Examiner — George D. Kirschbaum

Assistant Examiner — Calvin E Vansant

(74) *Attorney, Agent, or Firm* — Mintz Levin Cohn Ferris
Glovsky and Popeo, P.C.; Peter F. Corless; Carolina E.
Säve

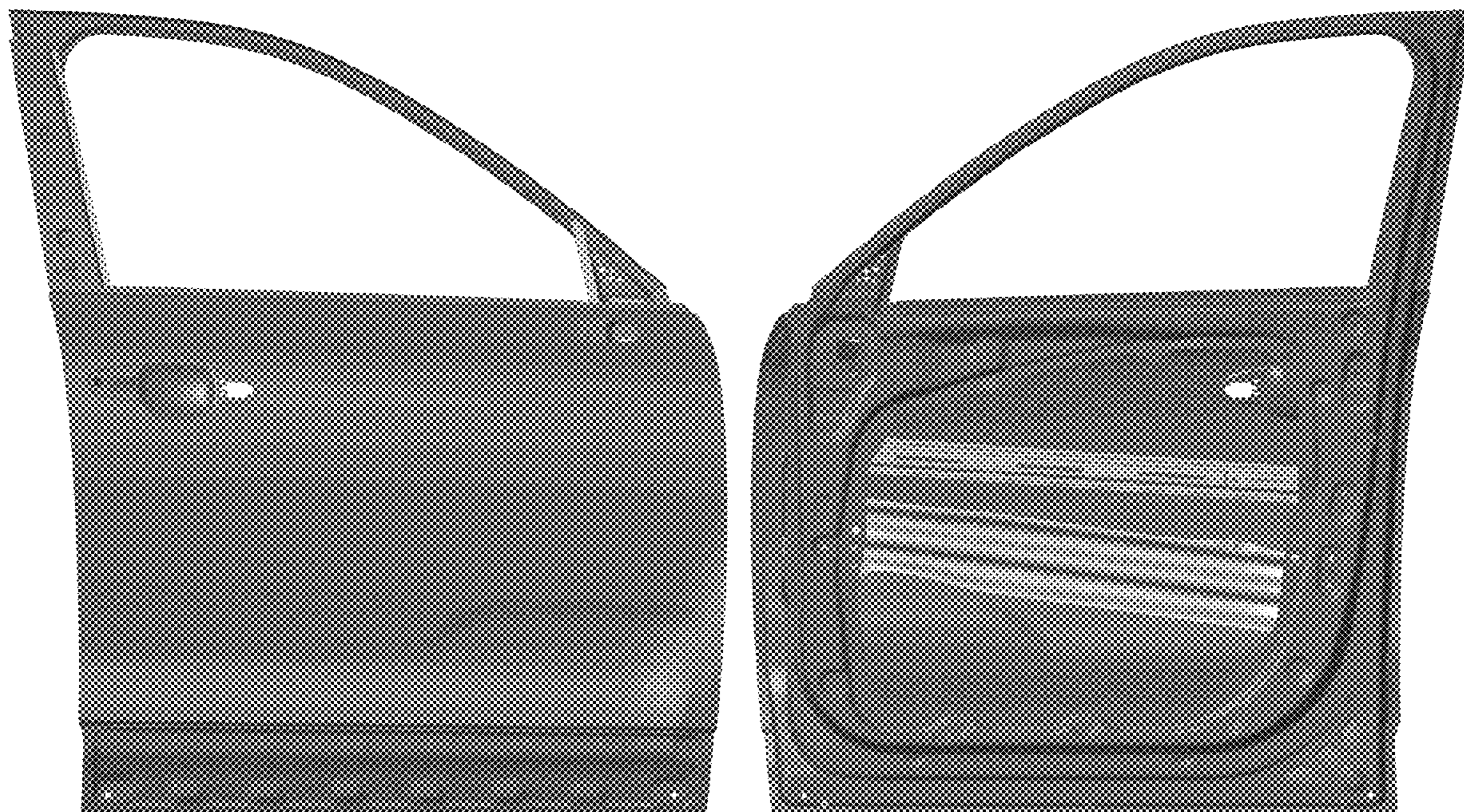
(57) **CLAIM**

The ornamental design for a front door panel for an auto-
mobile, as shown and described.

DESCRIPTION

1. Front door panel for an automobile
- 1.1 is a perspective view of a rear door panel for an automobile showing our design;
- 1.2 is a front elevational view thereof;
- 1.3 is a rear elevational view thereof;
- 1.4 is a left side elevational view thereof;
- 1.5 is a right side elevation view thereof;
- 1.6 is a top plan view thereof; and
- 1.7 is a bottom plan view thereof.

1 Claim, 7 Drawing Sheets



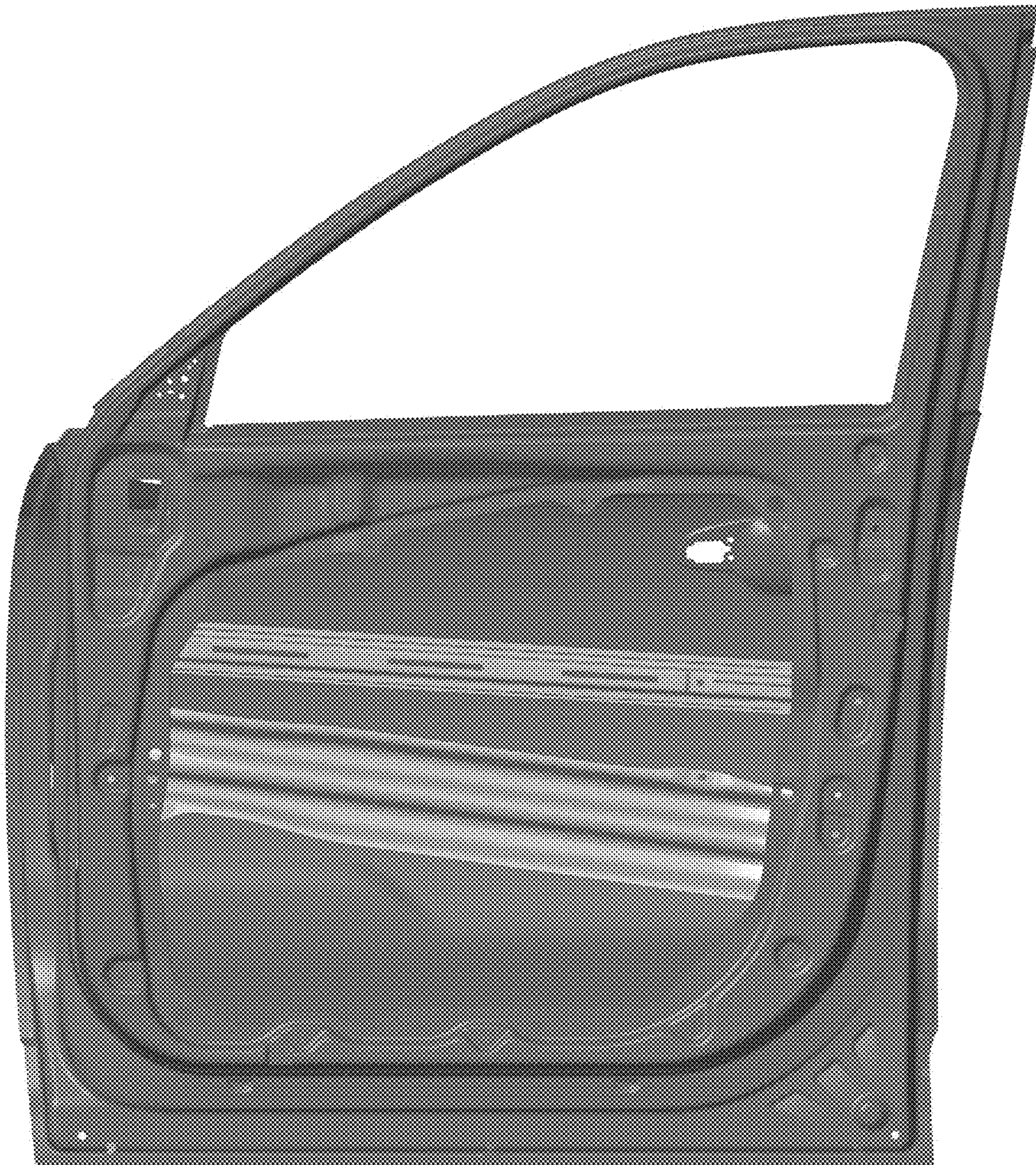
1.1



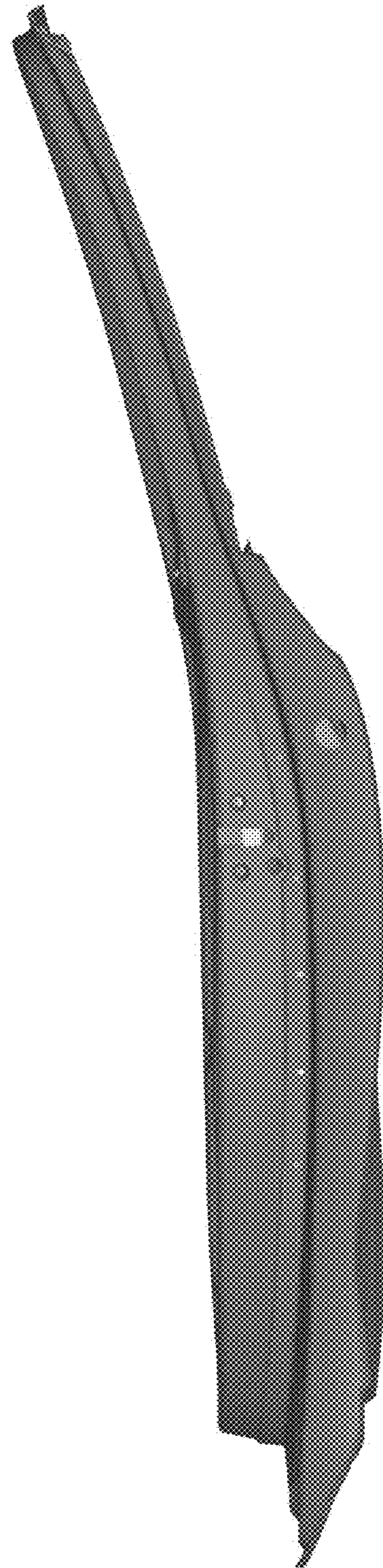
1.2



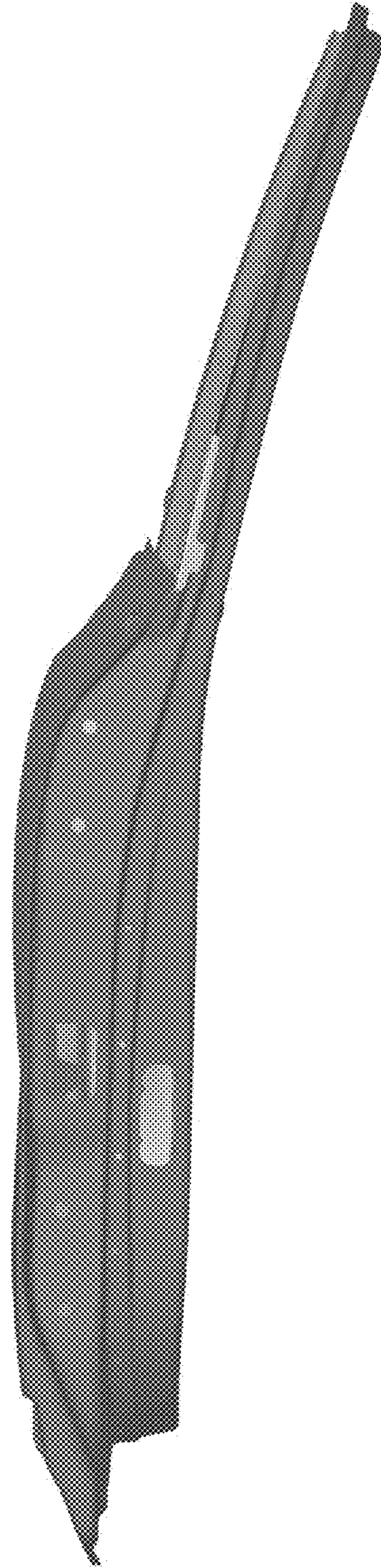
1.3



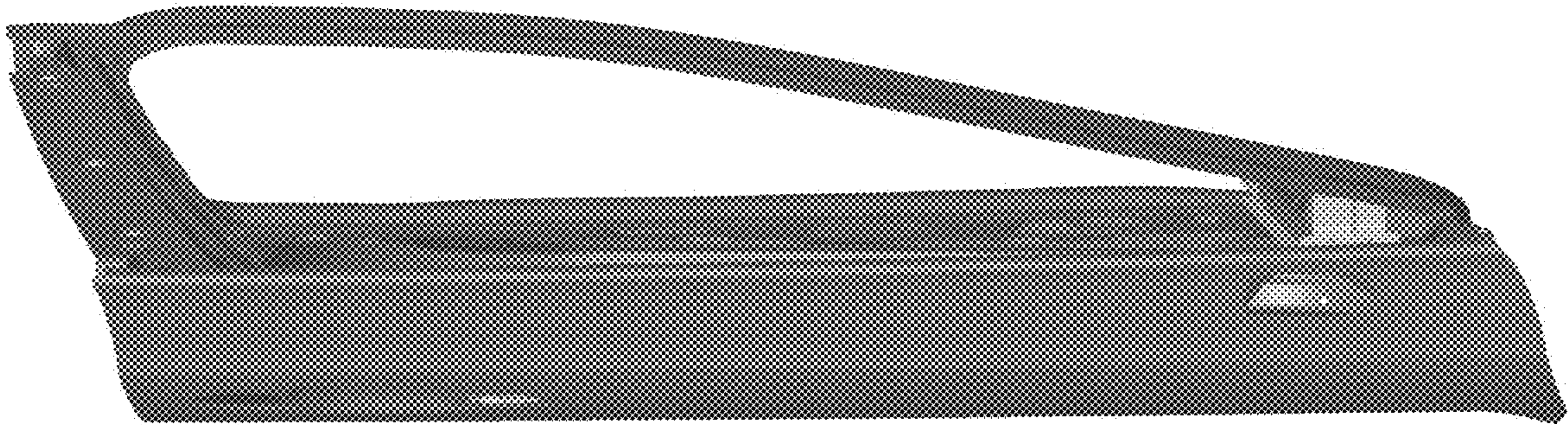
1.4



1.5



1.6



1.7

