

US00D890052S

(12) **United States Design Patent** (10) **Patent No.:** **US D890,052 S**
Urbanczyk (45) **Date of Patent:** **** Jul. 14, 2020**

- (54) **LICENSE PLATE BRACKET**
- (71) Applicant: **Ronald Urbanczyk**, San Antonio, TX (US)
- (72) Inventor: **Ronald Urbanczyk**, San Antonio, TX (US)
- (**) Term: **15 Years**
- (21) Appl. No.: **29/645,813**
- (22) Filed: **Apr. 30, 2018**
- (51) **LOC (12) Cl.** **12-16**
- (52) **U.S. Cl.**
USPC **D12/193**
- (58) **Field of Classification Search**
USPC D12/193; D6/300, 301, 302, 310, 311, D6/312, 313, 314; D20/13
CPC B60R 13/10; B60R 13/105; B60R 19/24; B60R 19/52
See application file for complete search history.

(56) **References Cited**

U.S. PATENT DOCUMENTS

D163,320 S *	5/1951	Porrett et al.	D12/193
D301,863 S *	6/1989	Iacovelli	D12/193
D416,527 S *	11/1999	Steinhagen	D12/193
D437,815 S *	2/2001	Lyon	D12/193
D488,754 S *	4/2004	Spencer	D12/193
D489,031 S *	4/2004	Leibman	D12/193
D545,259 S *	6/2007	Stahel, Jr.	D12/193

D625,234 S *	10/2010	Vuletic	D12/193
D630,986 S *	1/2011	Spencer	D12/193
D644,973 S *	9/2011	Miyawaki	D12/193
D678,828 S *	3/2013	Sanchez	D12/193
D734,228 S *	7/2015	Masanek, Jr.	D12/193
D744,595 S *	12/2015	Chapman	D20/39
D753,038 S *	4/2016	Doerr	D12/193
D824,307 S *	7/2018	Spencer	D12/193
D839,159 S *	1/2019	Clarke	D12/193
D847,713 S *	5/2019	Swisher	D12/193
2019/0077338 A1 *	3/2019	Urbanczyk, II	G09F 7/10

* cited by examiner

Primary Examiner — Natasha Vujcic
(74) *Attorney, Agent, or Firm* — Boudwin Intellectual Property

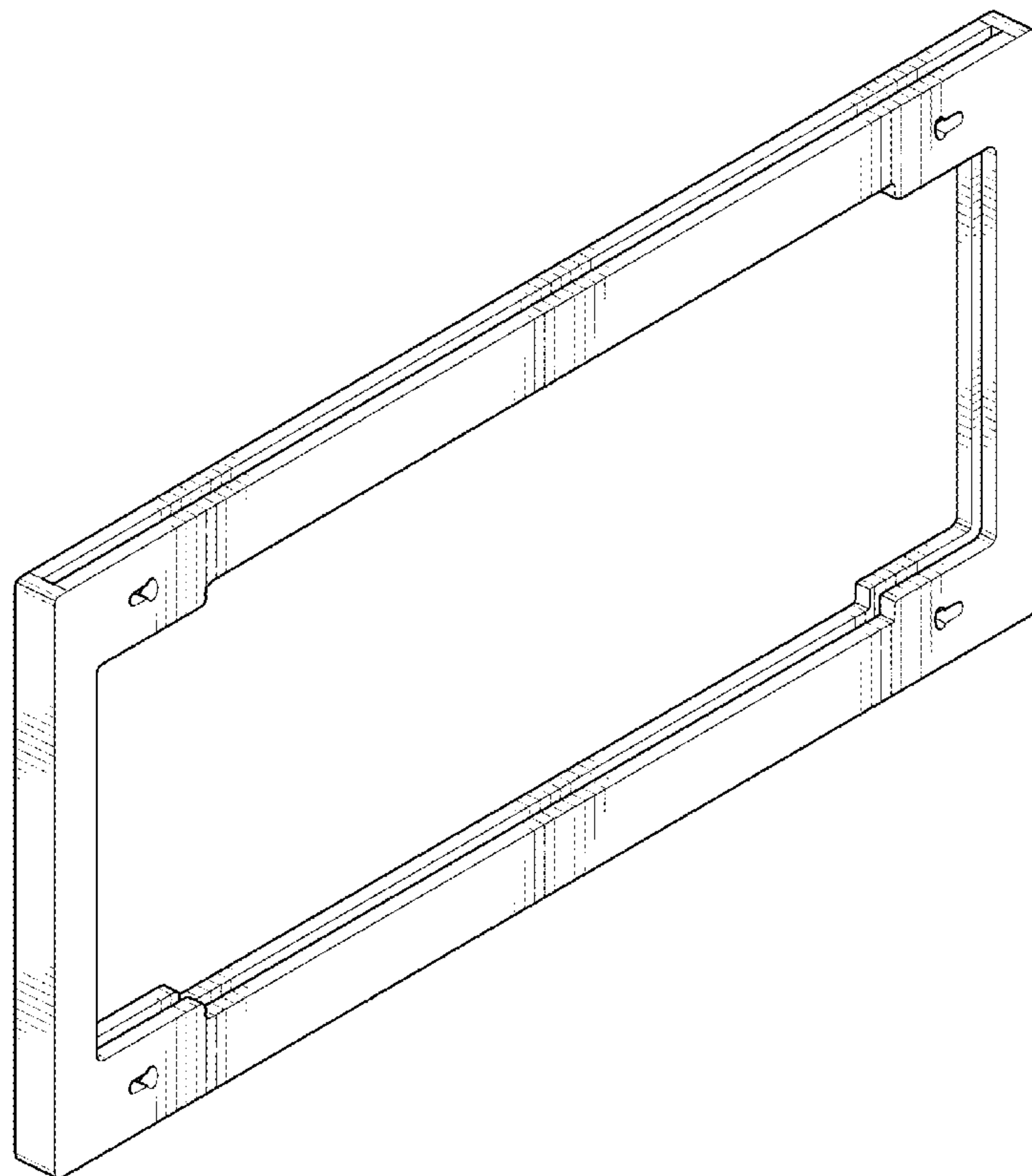
(57) **CLAIM**

The ornamental design for a license plate bracket, as shown and described.

DESCRIPTION

FIG. 1 shows a perspective view of a license plate bracket of the present invention.
FIG. 2 shows a front view thereof.
FIG. 3 shows a rear view thereof.
FIG. 4 shows an overhead view thereof.
FIG. 5 shows an underside view thereof.
FIG. 6 shows a side view thereof; and,
FIG. 7 shows an opposing side view thereof.
The shade lines in the Figures show contour and not surface ornamentation.

1 Claim, 5 Drawing Sheets



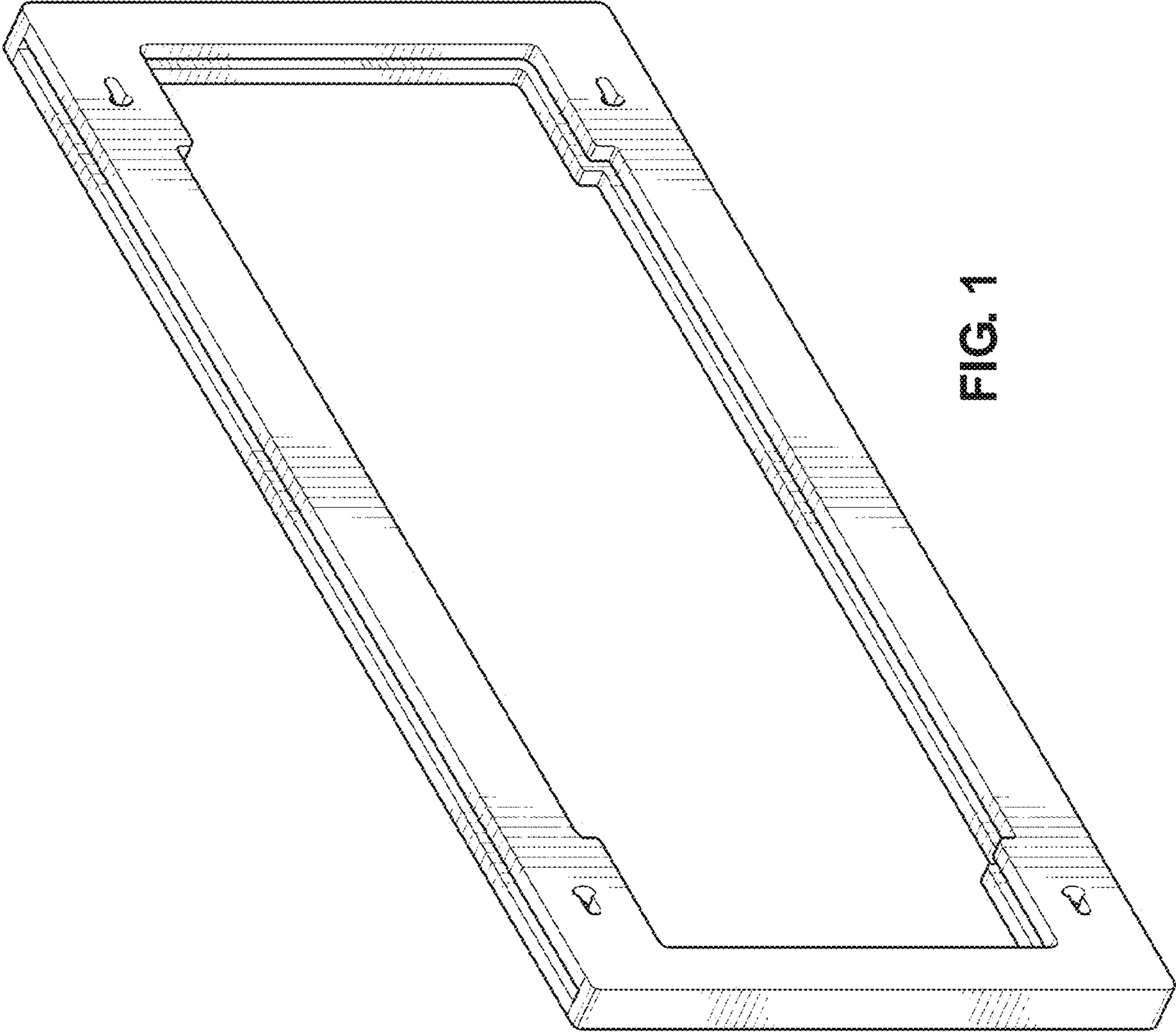


FIG. 1

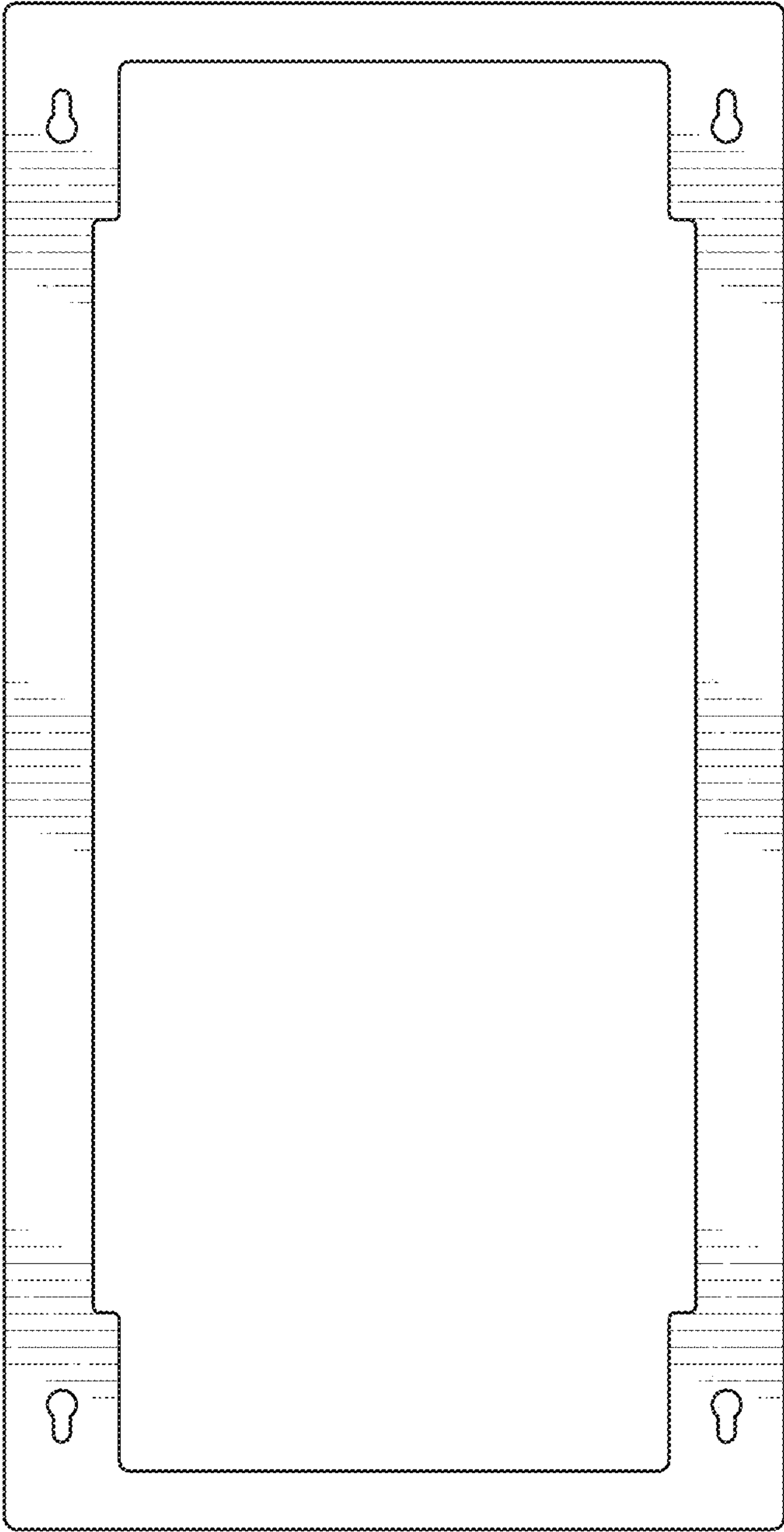


FIG. 2

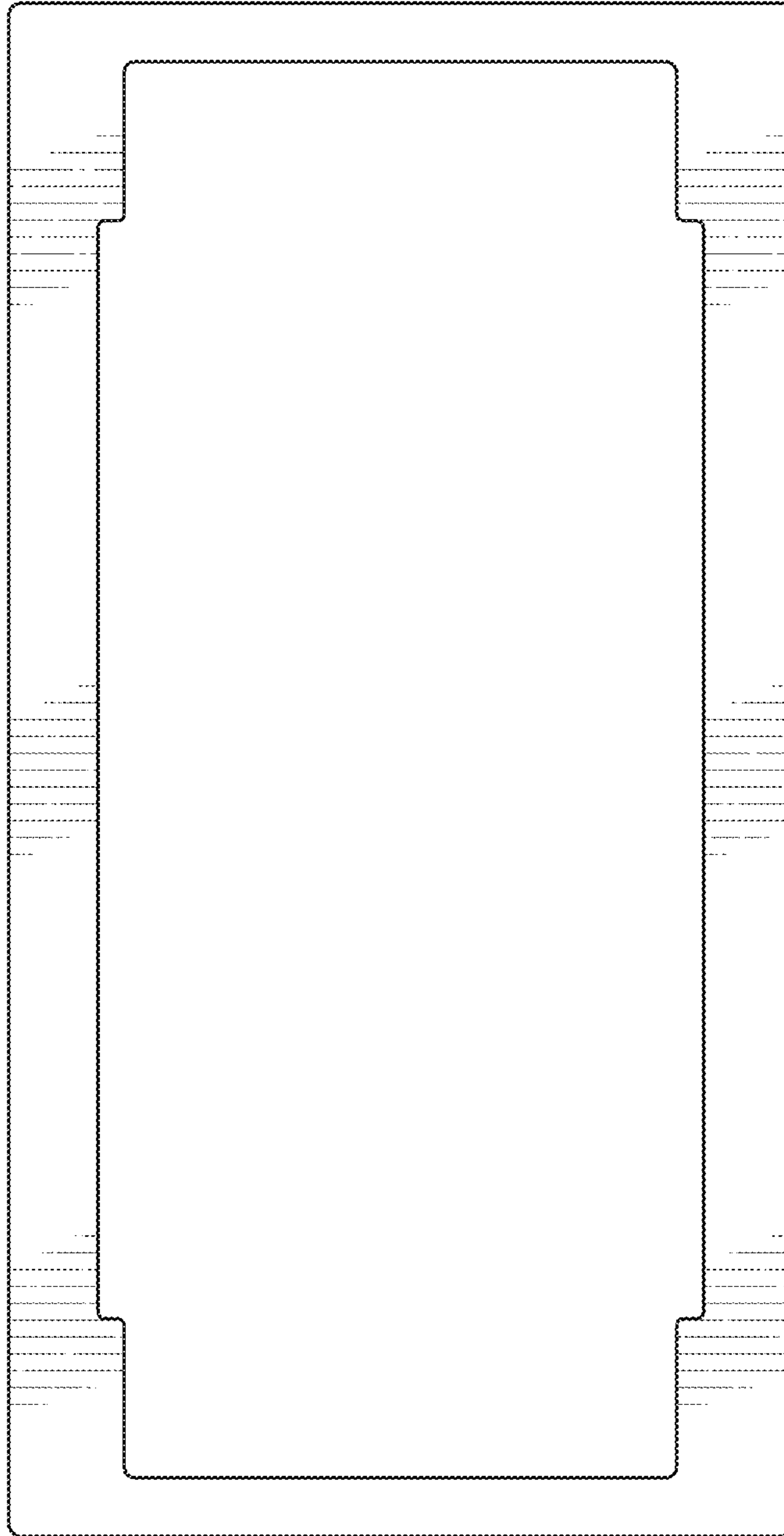


FIG. 3

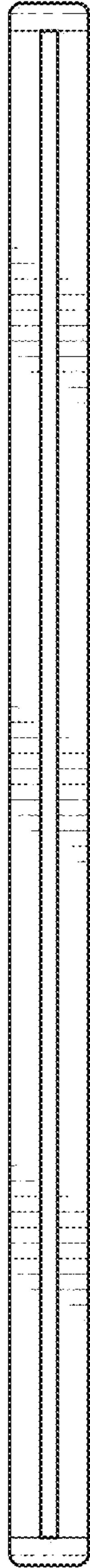


FIG. 4

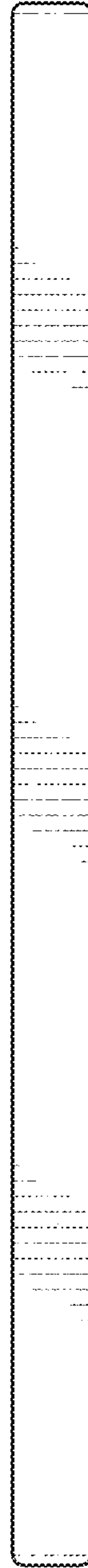


FIG. 5



FIG. 7



FIG. 6