



US00D890051S

(12) **United States Design Patent**  
**Quilling, II**

(10) **Patent No.:** **US D890,051 S**

(45) **Date of Patent:** **\*\* Jul. 14, 2020**

(54) **AUTO STEREO MOUNTING DEVICE**

(71) Applicant: **Metra Electronics Corporation**, Holly Hill, FL (US)

(72) Inventor: **R. Specer Quilling, II**, DeLand, FL (US)

(73) Assignee: **Metra Electronics Corporation**, Holly Hill, FL (US)

(\*\*) Term: **15 Years**

(21) Appl. No.: **29/679,220**

(22) Filed: **Feb. 4, 2019**

(51) **LOC (12) Cl.** ..... **12-16**

(52) **U.S. Cl.**  
USPC ..... **D12/192**

(58) **Field of Classification Search**  
USPC ..... D12/192, 415, 114, 345; D15/17, 28;  
D23/324; D10/46, 98, 102-103, 122-127  
CPC ..... B60H 1/34; B60H 1/3407; B60H 1/3414;  
B60H 1/3421; B60H 1/3428; B60H 1/3435;  
B60H 1/3442; B60H 1/345; B60H 1/3457;  
B60H 2001/3464; B60H 2001/3471; B60H 2001/3478; B60H 2001/3485

See application file for complete search history.

(56) **References Cited**

**U.S. PATENT DOCUMENTS**

D815,002 S \* 4/2018 Niemiec ..... D12/192  
D836,049 S \* 12/2018 Ryu ..... D12/192

D846,464 S \* 4/2019 Zhao ..... D12/192  
D849,618 S \* 5/2019 Chen ..... D12/192  
D849,622 S \* 5/2019 Woodhouse ..... D12/192  
D856,880 S \* 8/2019 Tomasson ..... D12/192  
D867,948 S \* 11/2019 Engelmann ..... D12/192  
2014/0125876 A1\* 5/2014 Nakayama ..... H04N 5/64  
348/837  
2017/0274773 A1\* 9/2017 Woodhouse ..... B60K 35/00  
2017/0315354 A1\* 11/2017 Park ..... G02B 27/0149

\* cited by examiner

*Primary Examiner* — Katrina A Betton

(74) *Attorney, Agent, or Firm* — J. Wiley Horton

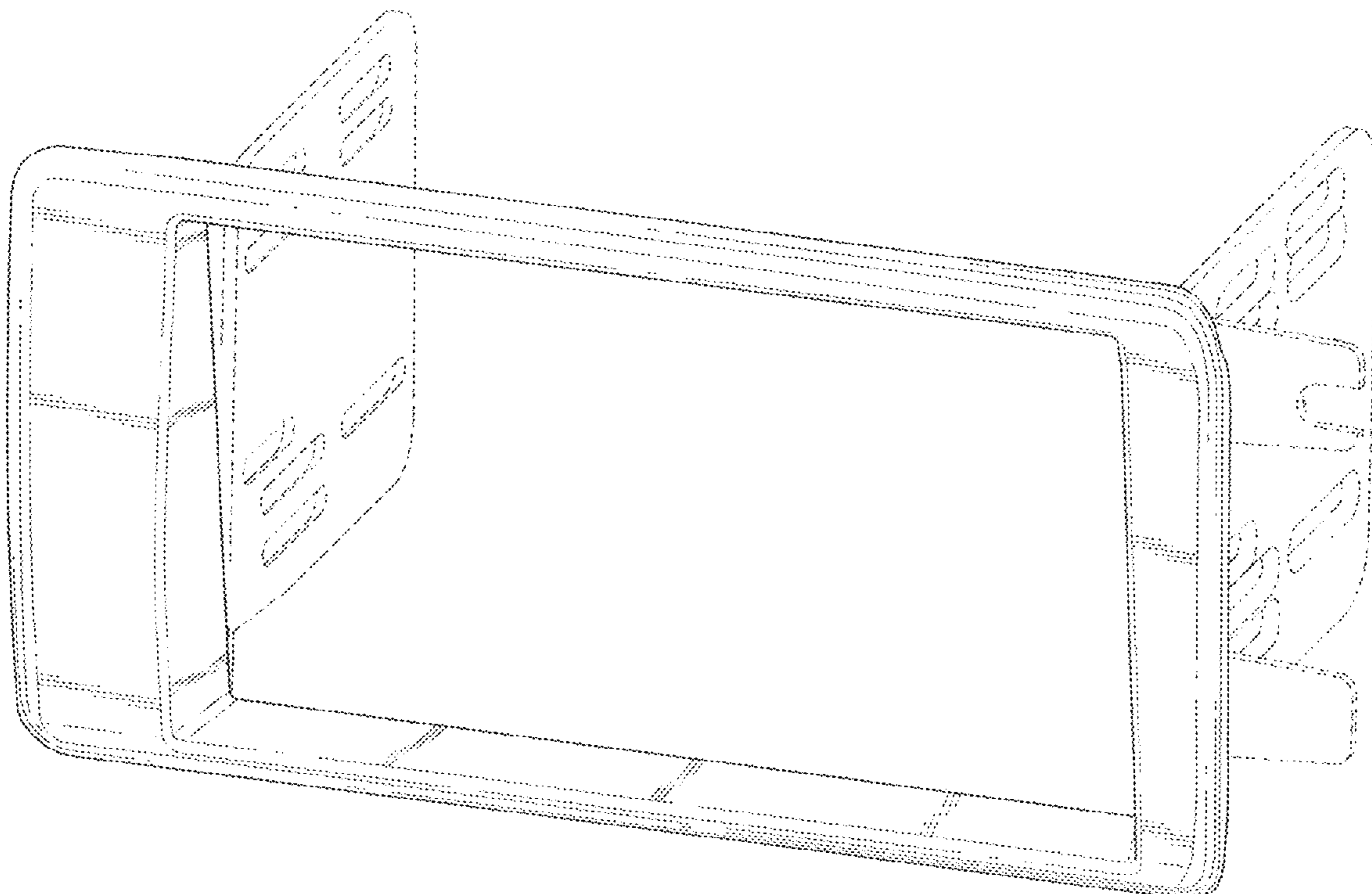
(57) **CLAIM**

The ornamental design for an “auto stereo mounting device”, as shown and described.

**DESCRIPTION**

FIG. 1 is a perspective view of an auto stereo mounting device, showing my design;  
FIG. 2 is a front elevation view of FIG. 1;  
FIG. 3 is a rear elevation view of FIG. 1;  
FIG. 4 is a left side elevation view of FIG. 1;  
FIG. 5 is a right side elevation view of FIG. 1;  
FIG. 6 is a top plan view of FIG. 1; and,  
FIG. 7 is a bottom plan view of FIG. 1.  
The broken lines shown in all views illustrate mounting features which form no part of the claimed design.

**1 Claim, 7 Drawing Sheets**



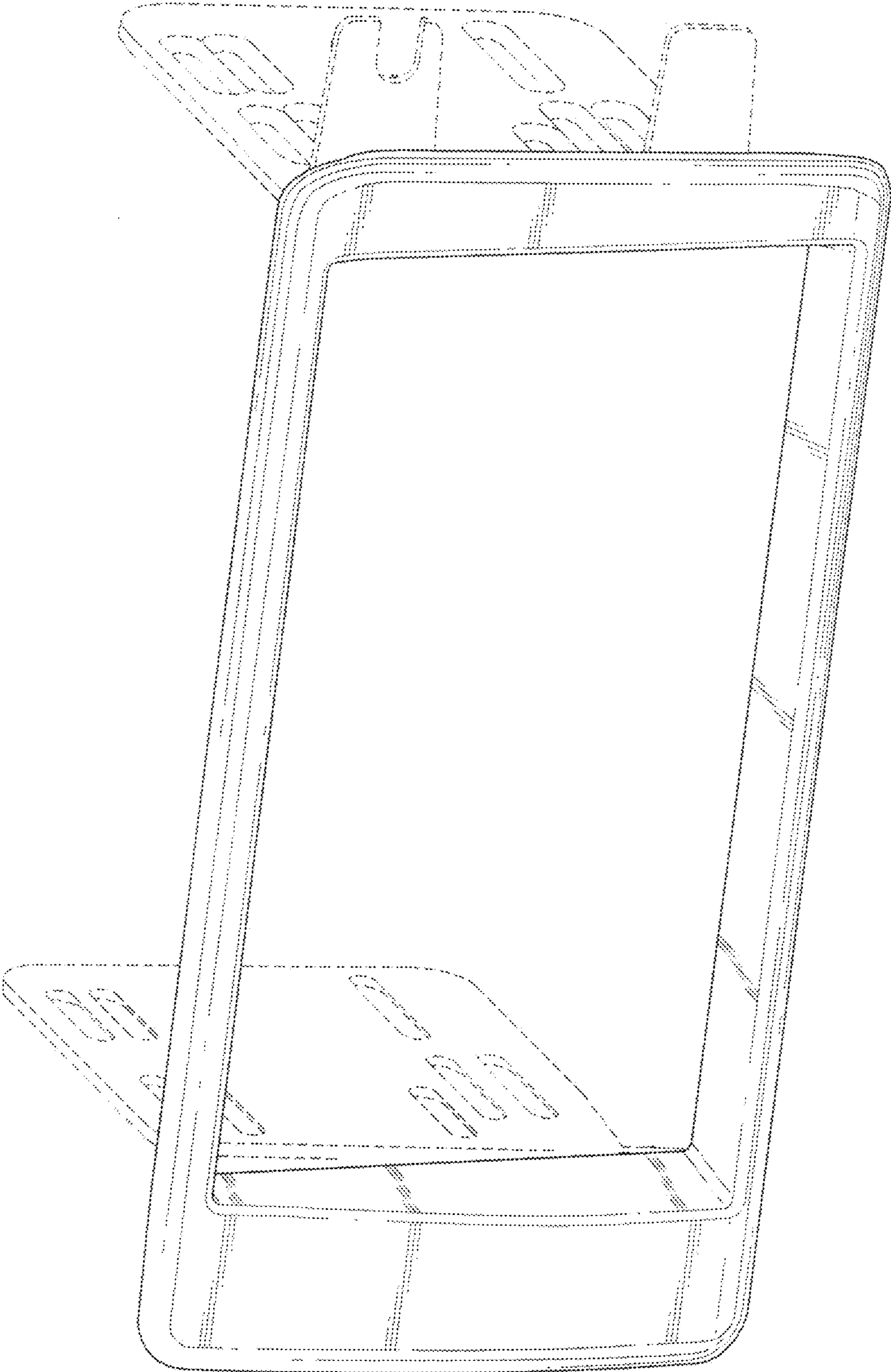


FIG. 1

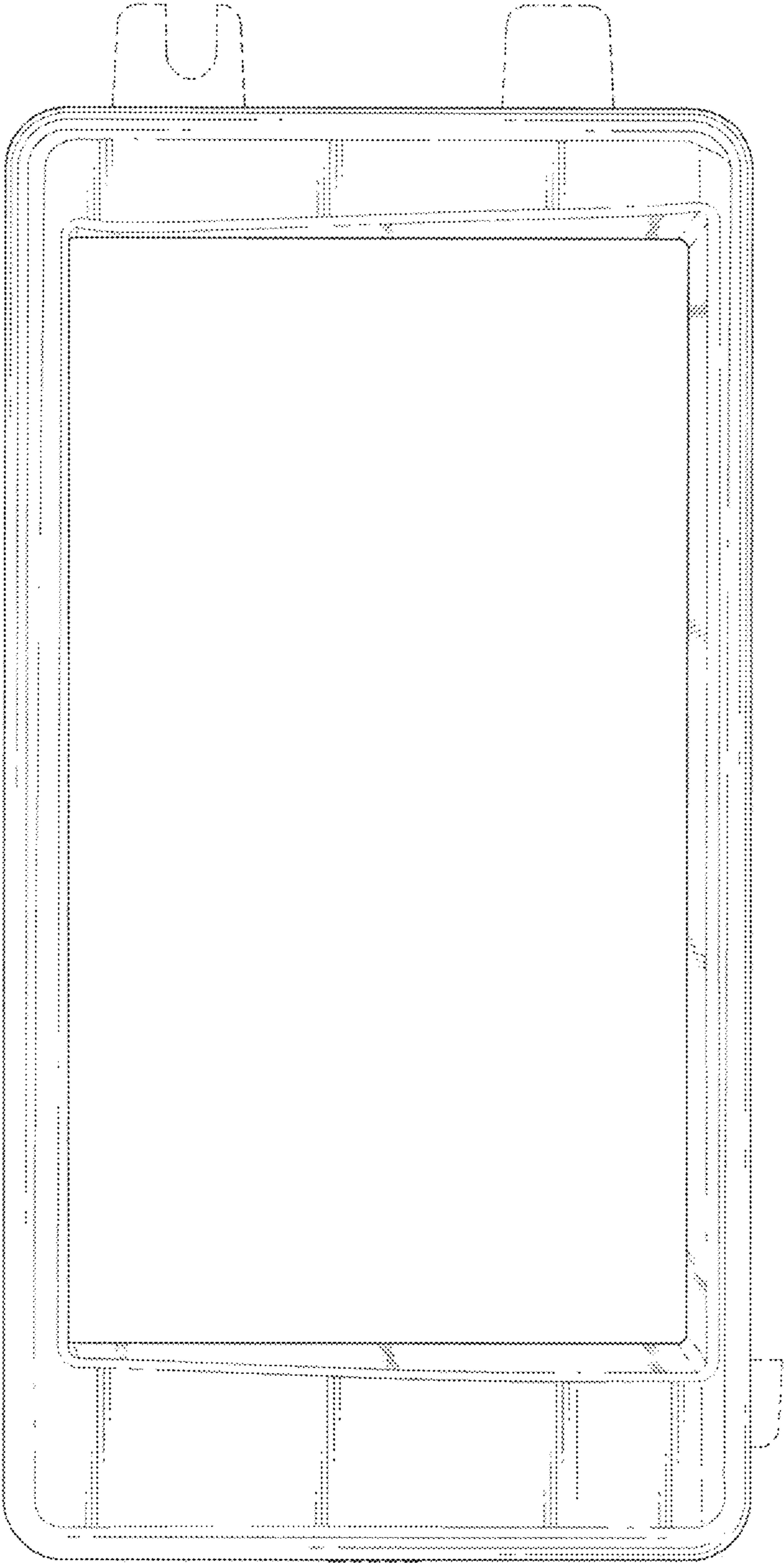


FIG. 2



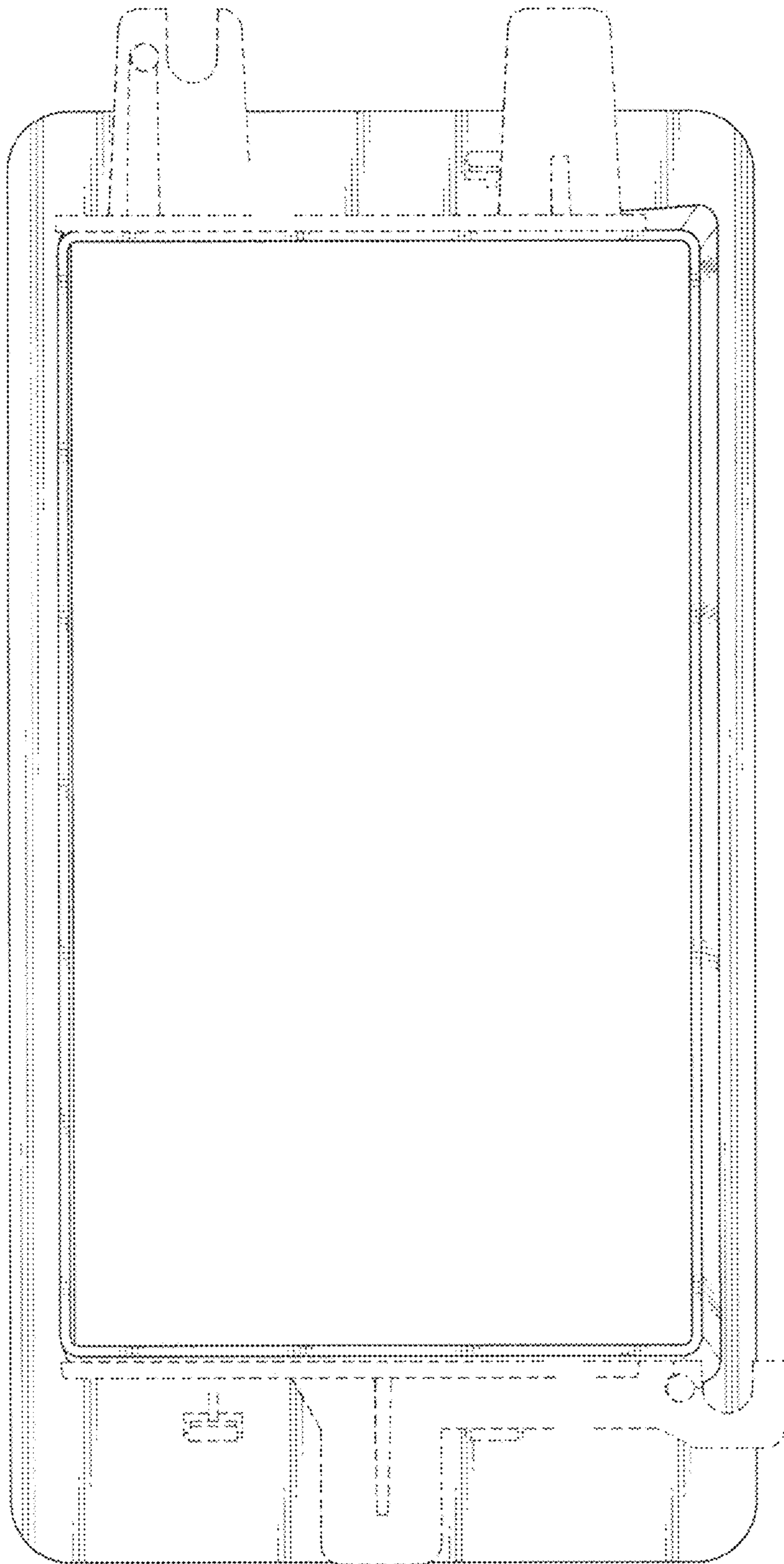


FIG. 3

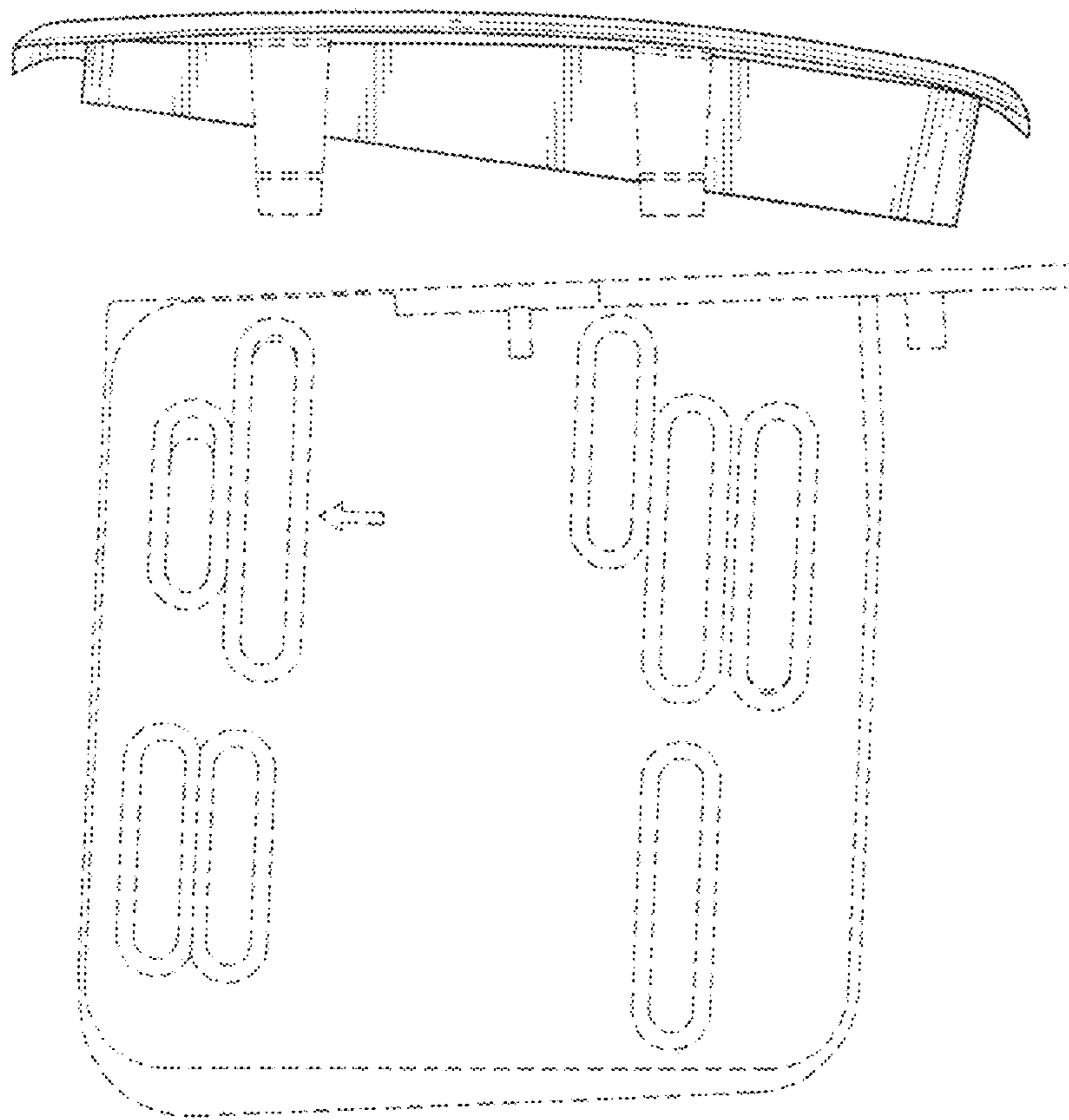


FIG. 4

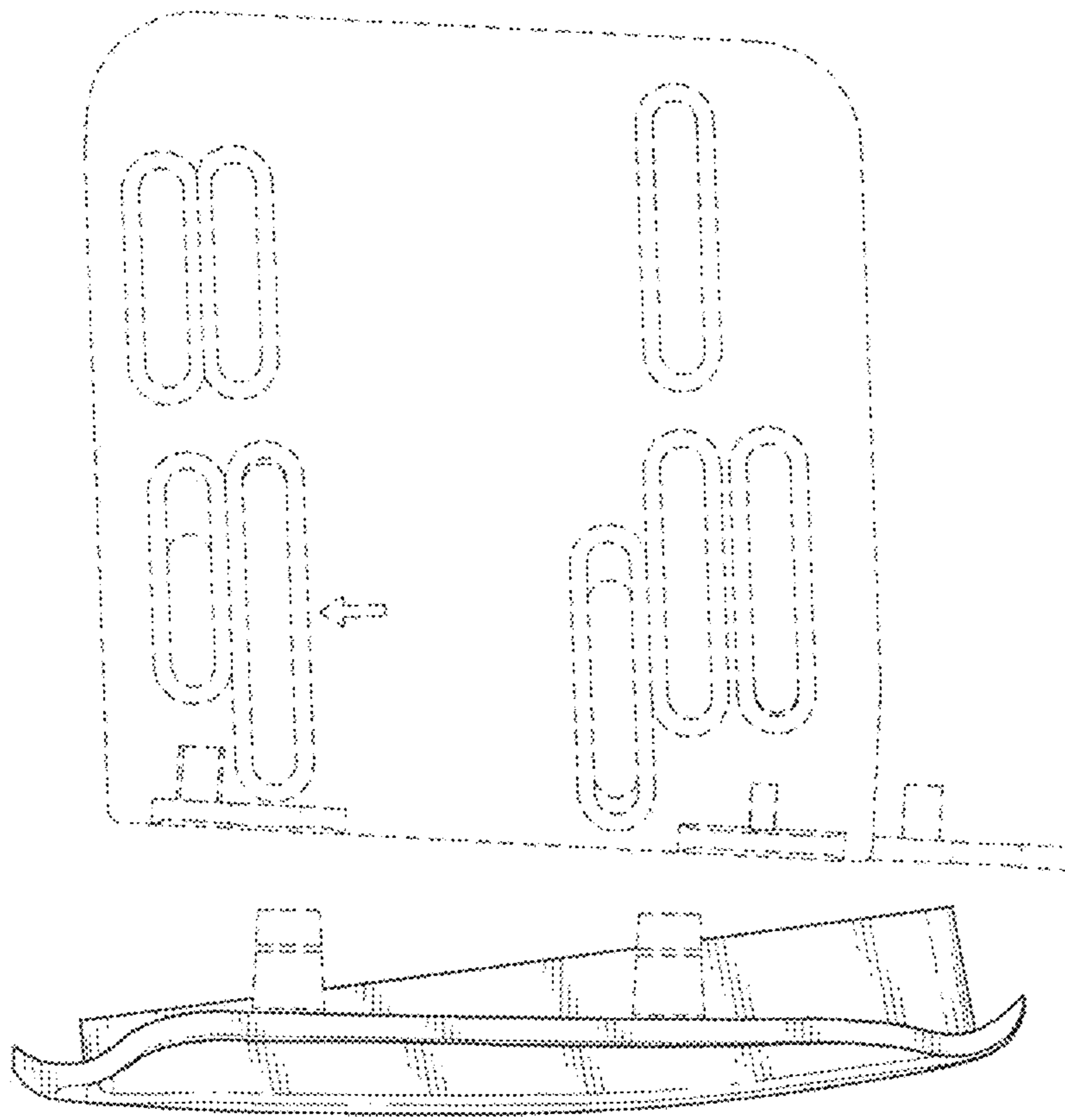


FIG. 5

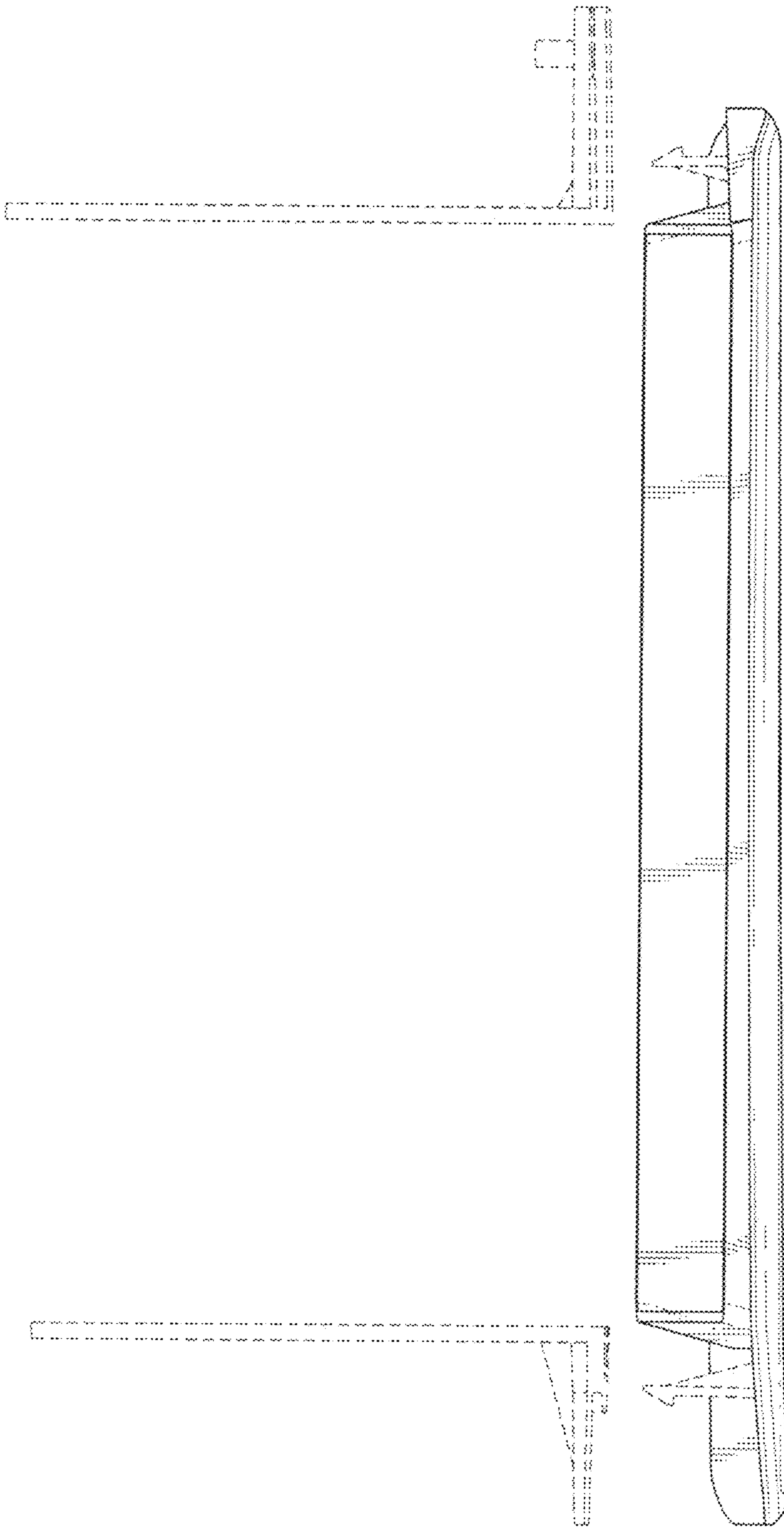


FIG. 6

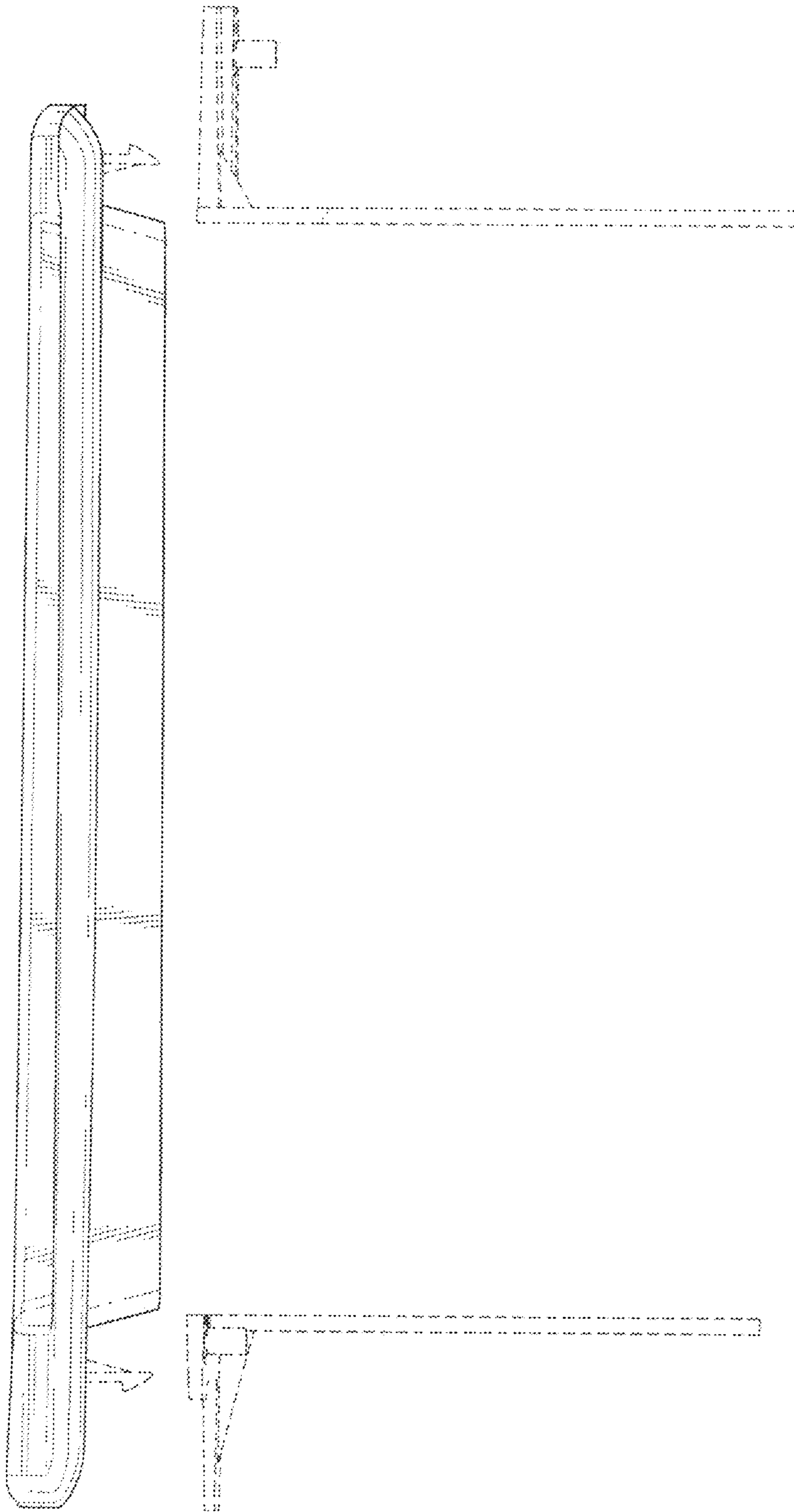


FIG. 7