



US00D890047S

(12) **United States Design Patent**  
**Bock et al.**

(10) **Patent No.:** **US D890,047 S**  
(45) **Date of Patent:** **\*\* Jul. 14, 2020**

- (54) **BRAKE DUST FILTER**
- (71) Applicant: **MANN + HUMMEL GmbH**,  
Ludwigsburg (DE)
- (72) Inventors: **Lukas Bock**, Bietigheim-Bissingen  
(DE); **Thomas Jessberger**, Asperg  
(DE); **Volker Kuemmerling**,  
Bietigheim-Bissingen (DE); **Birgit  
Herbst**, Ludwigsburg (DE); **Lisa  
Buerkle**, Stuttgart (DE); **Markus  
Hanselmann**, Lauffen (DE); **Tobias  
Dost**, Murr (DE); **Roman Eder**,  
Ludwigsburg (DE)
- (73) Assignee: **MANN + HUMMEL GmbH**,  
Ludwigsburg (DE)
- (\*\*) Term: **15 Years**
- (21) Appl. No.: **29/670,616**
- (22) Filed: **Nov. 18, 2018**
- (30) **Foreign Application Priority Data**

May 18, 2018 (EM) ..... 005271616-0001

- (51) **LOC (12) Cl.** ..... **12-16**
- (52) **U.S. Cl.**  
USPC ..... **D12/180**

- (58) **Field of Classification Search**  
USPC ..... D12/14, 174, 180  
CPC ..... F16D 55/22; F16D 55/225; F16D 55/226;  
F16D 55/227; F16D 65/00; F16D  
65/0006; F16D 65/092; F16D 65/0972;  
F16D 65/0031; F16D 65/0081; F16D  
65/0087; F16D 65/0977; F16D 65/097;  
F16D 65/847; B32B 3/06; B60Q 1/326  
See application file for complete search history.

- (56) **References Cited**  
U.S. PATENT DOCUMENTS

2,746,577 A \* 5/1956 Butler ..... F16D 65/847  
188/264 A  
D476,275 S \* 6/2003 Winkler ..... F16D 55/22  
D12/180

D515,484 S \* 2/2006 Winkler ..... D12/180  
7,144,142 B1 \* 12/2006 Suarez ..... B60Q 1/326  
362/500  
2004/0074716 A1 \* 4/2004 Brumfield ..... F16D 55/22  
188/218 A  
2005/0258008 A1 \* 11/2005 King ..... F16D 65/00  
188/264 R

(Continued)

**OTHER PUBLICATIONS**

Youtube.com. "Mann Hummel Brake Dust Particle Filter" Uploaded  
May 28, 2018. Retrieved Nov. 6, 2019. (<https://www.youtube.com/watch?v=t3PHaZzKEEc>).\*

*Primary Examiner* — Susan E Krakower  
*Assistant Examiner* — Jerry Shiuan-Hua Hsu  
(74) *Attorney, Agent, or Firm* — James Hasselbeck

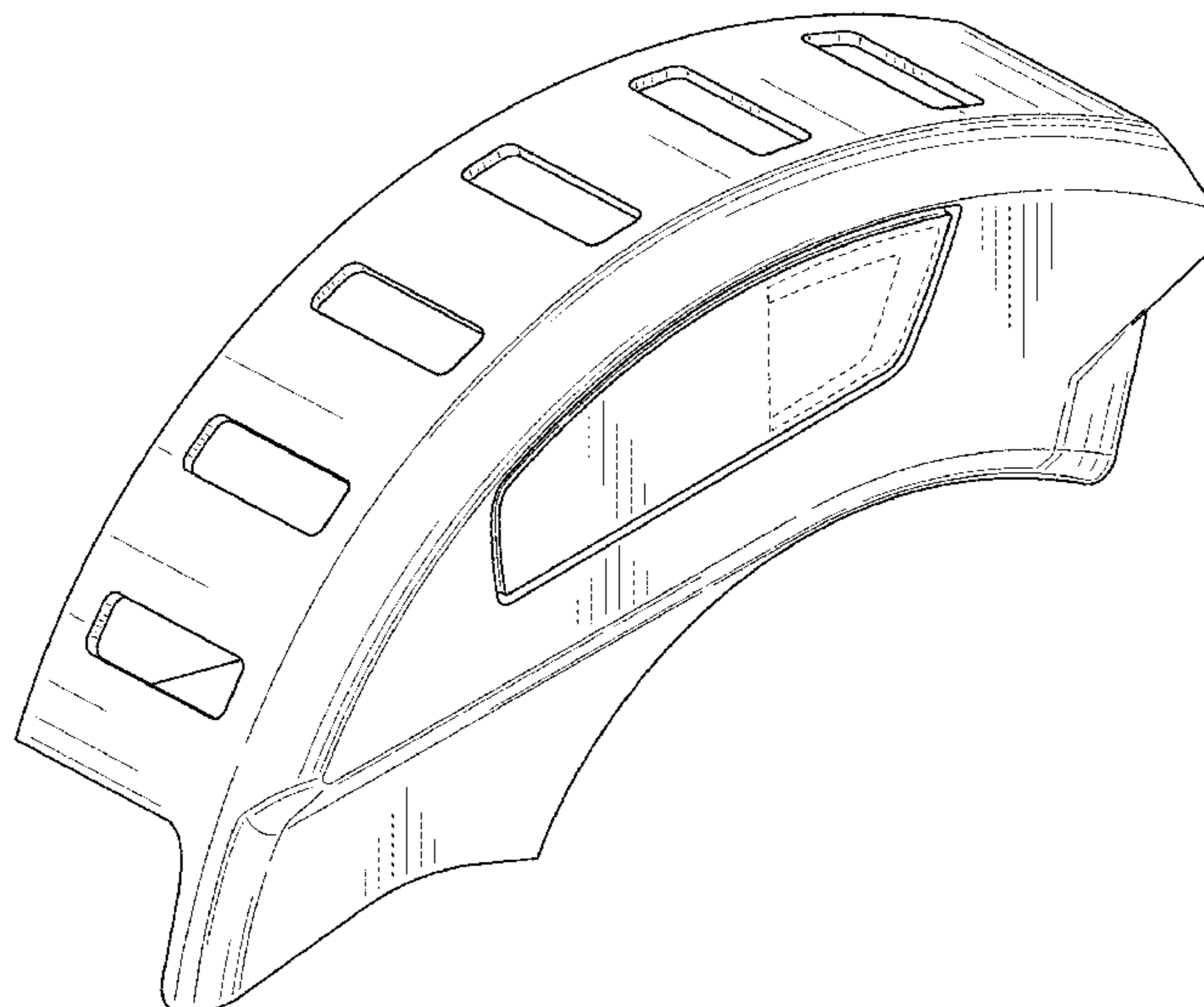
(57) **CLAIM**

We claim the ornamental design for a brake dust filter, as  
shown and described.

**DESCRIPTION**

FIG. 1 is a front top left perspective view of a brake dust  
filter, showing our new design;  
FIG. 2 is a front elevation thereof;  
FIG. 3 is a rear elevation thereof;  
FIG. 4 is a right side elevational view thereof;  
FIG. 5 is a left side elevational view thereof;  
FIG. 6 is a top plan view thereof;  
FIG. 7 is a bottom plan view thereof;  
FIG. 8 is a right front perspective view thereof;  
FIG. 9 is a left bottom perspective view thereof; and,  
FIG. 10 is a right bottom perspective view thereof.  
The broken lines illustrate portions of the brake dust filter  
that form no part of the claimed design.

**1 Claim, 7 Drawing Sheets**



(56)

**References Cited**

U.S. PATENT DOCUMENTS

2010/0065387 A1\* 3/2010 Tsiberidis ..... F16D 65/0031  
188/218 A  
2012/0067206 A1\* 3/2012 Lupica ..... B03C 1/0332  
95/28  
2014/0054119 A1\* 2/2014 Hummel ..... F16D 65/0031  
188/218 A  
2014/0054121 A1\* 2/2014 Hummel ..... F16D 65/0031  
188/218 A  
2017/0248180 A1\* 8/2017 Metayer ..... B01D 46/10  
2018/0080512 A1\* 3/2018 Barland ..... F16D 65/0087

\* cited by examiner

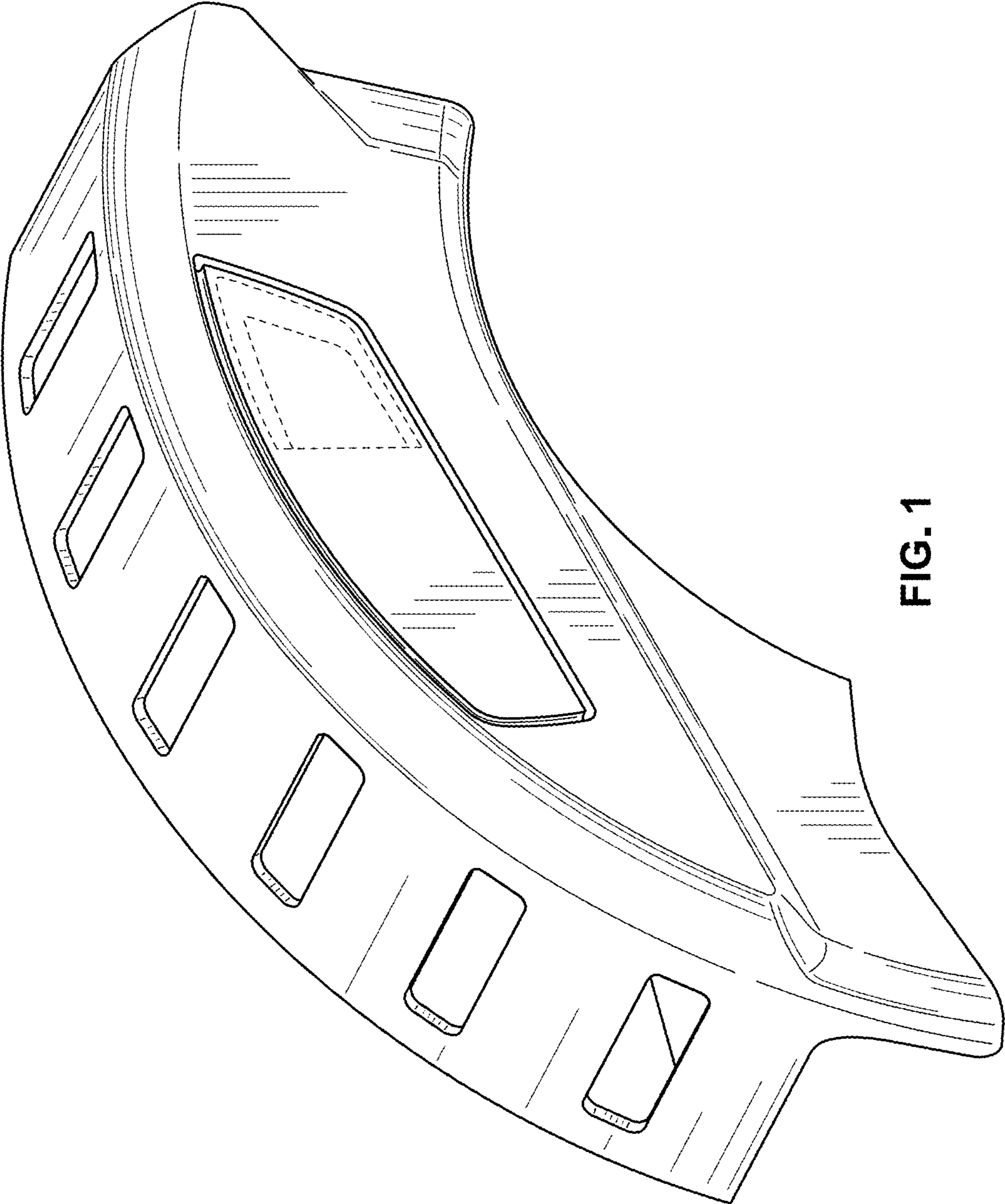


FIG. 1

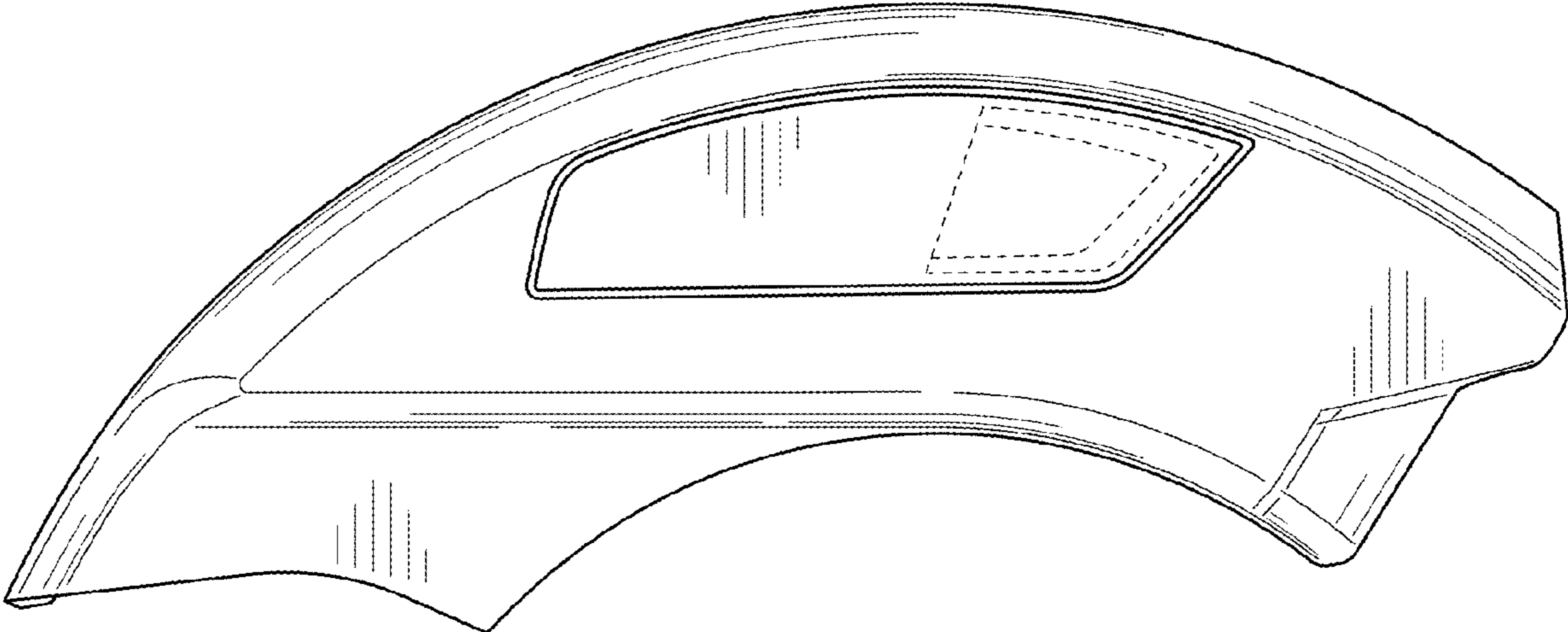


FIG. 2

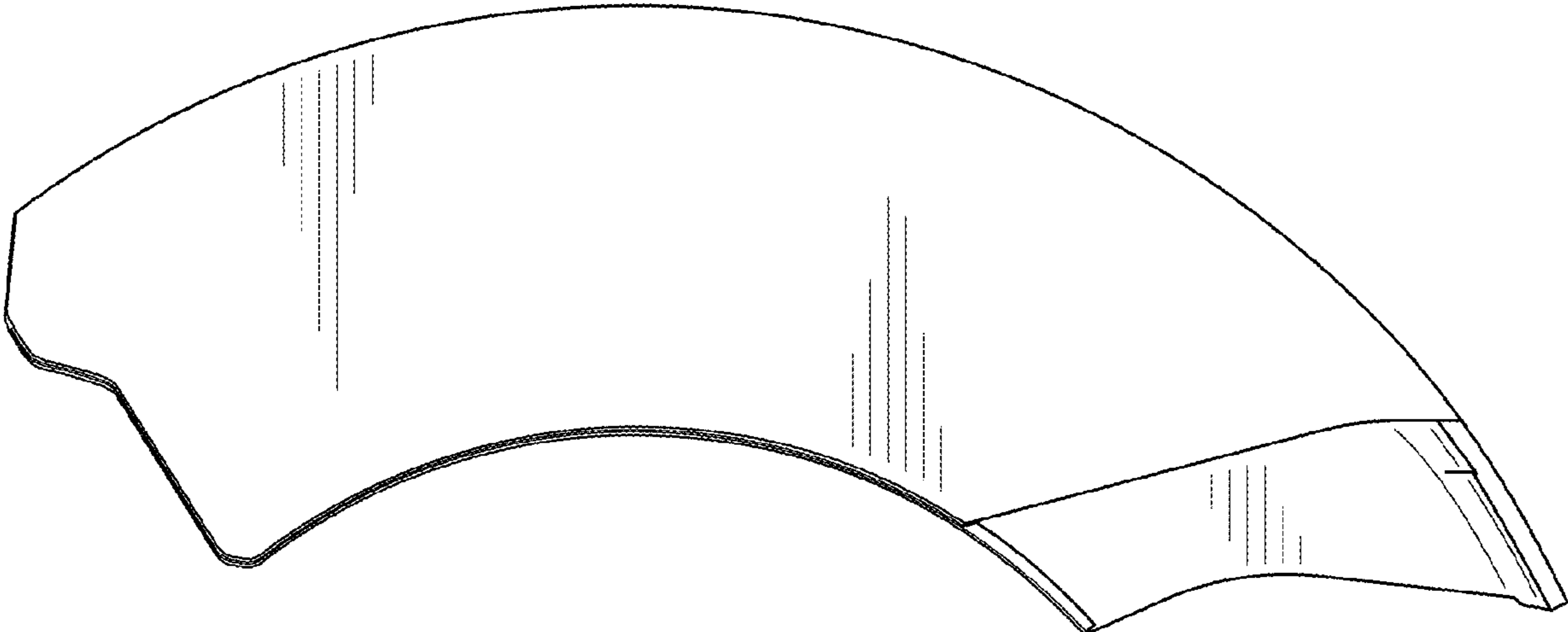


FIG. 3

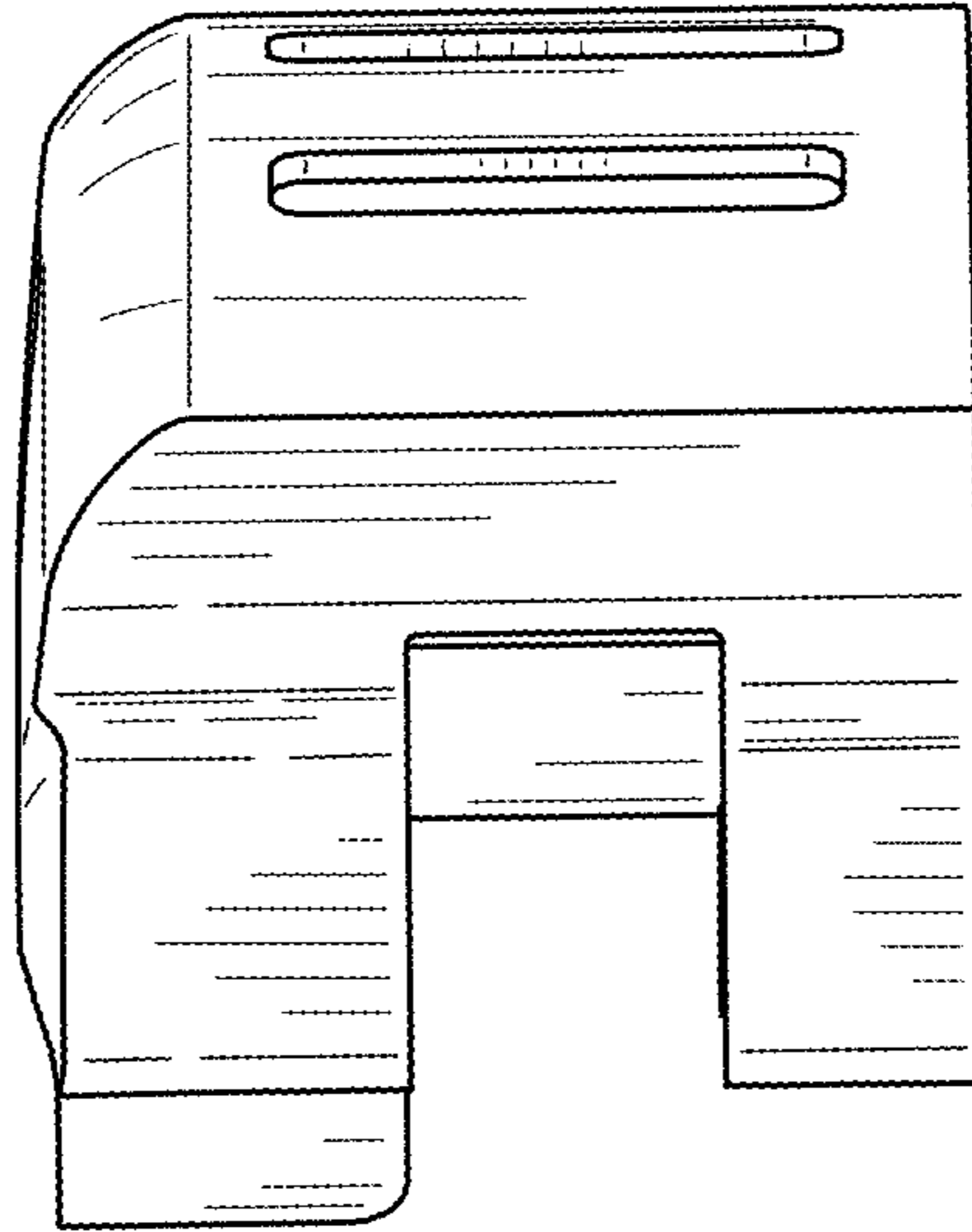


FIG. 4

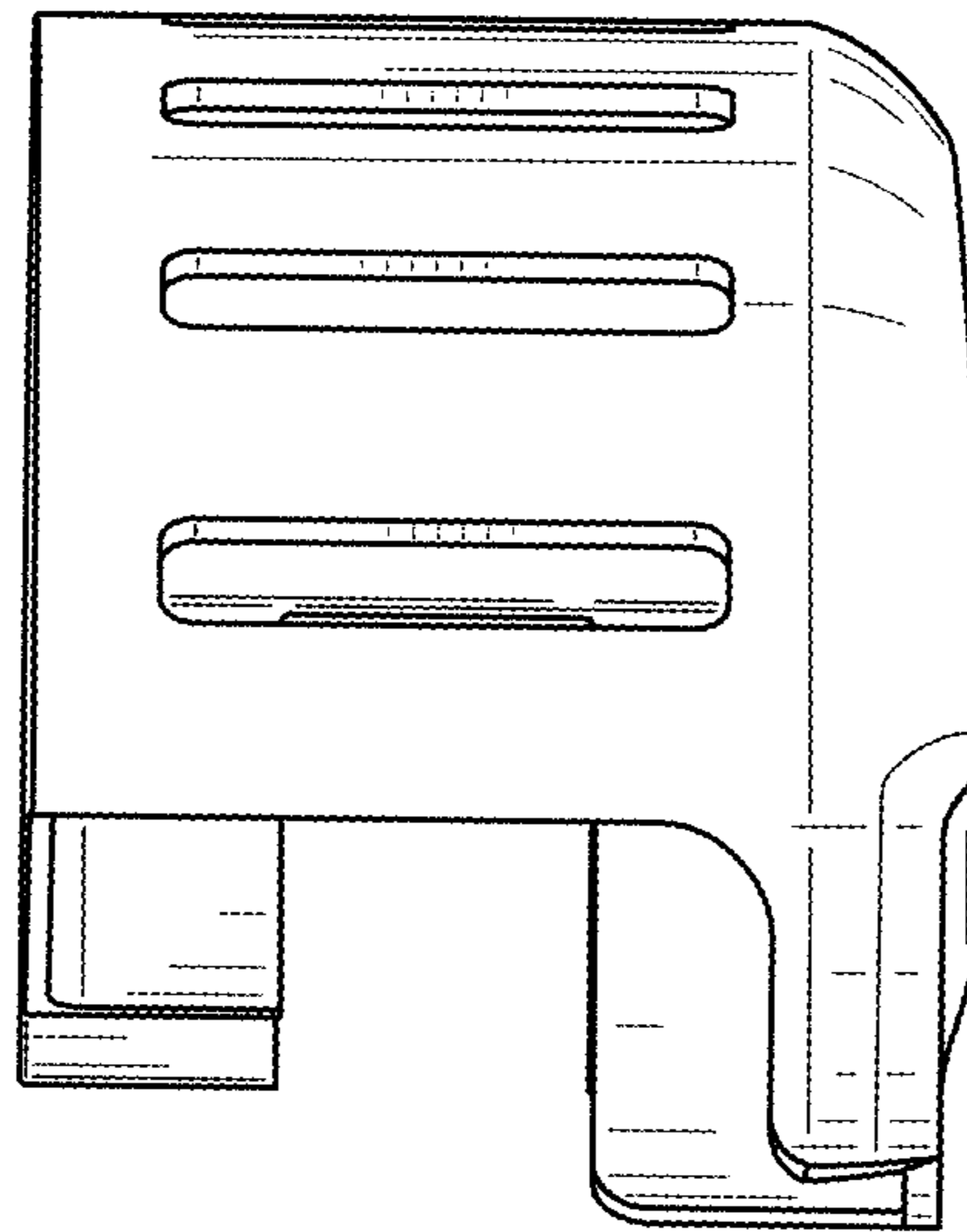


FIG. 5

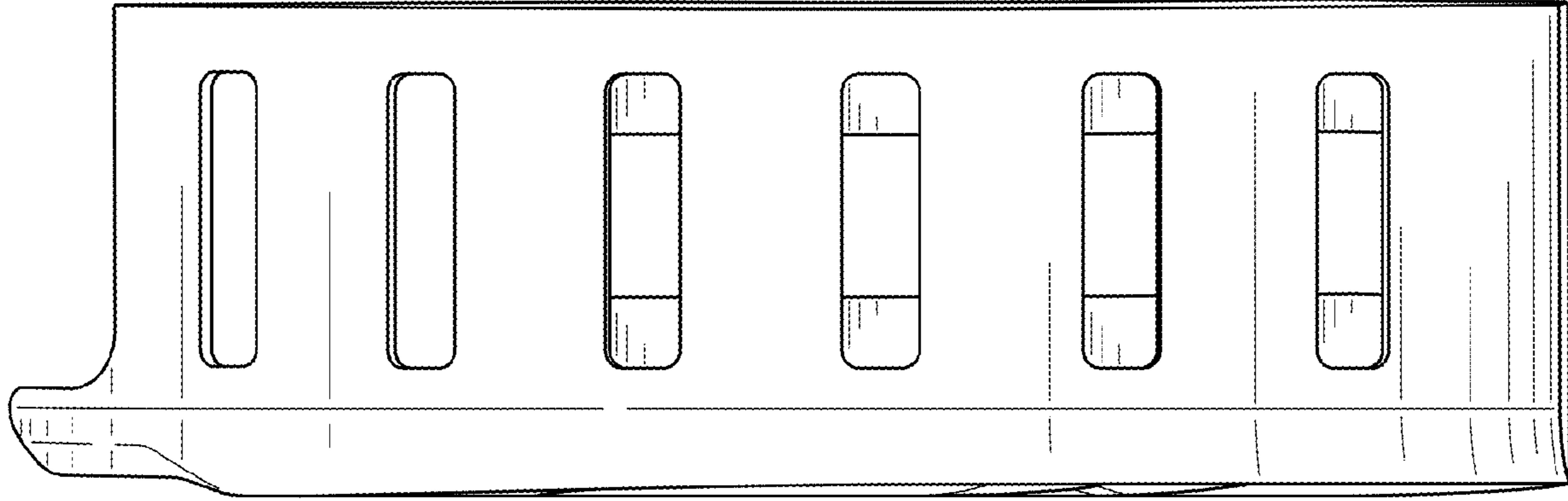


FIG. 6

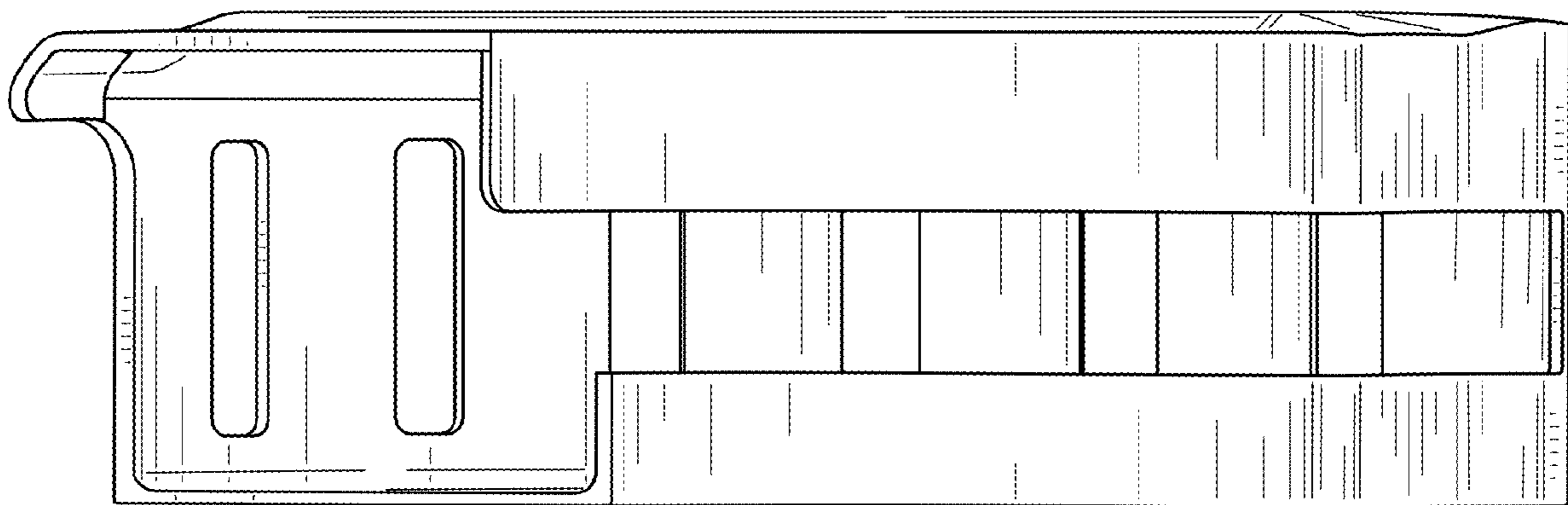


FIG. 7

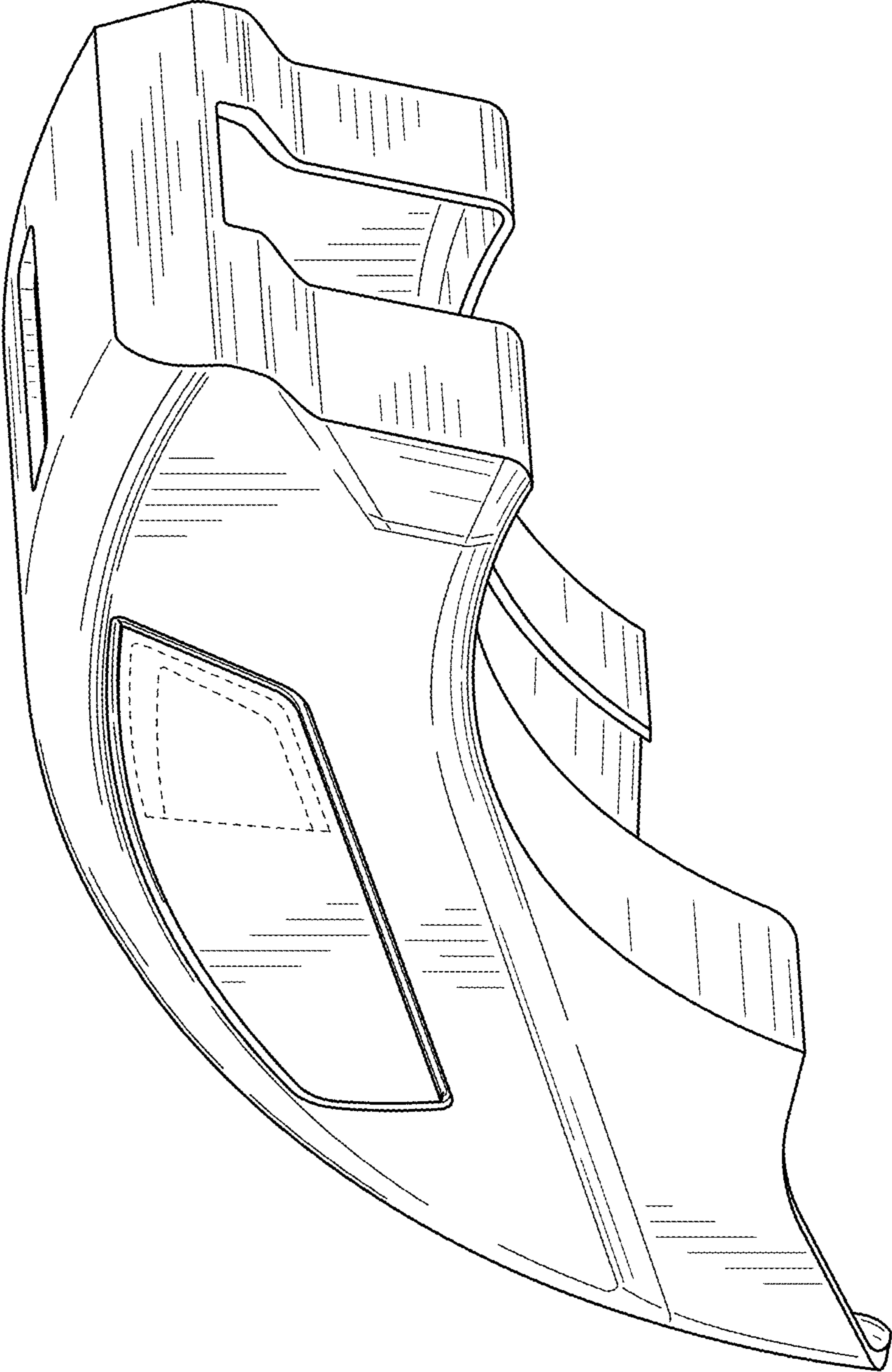


FIG. 8

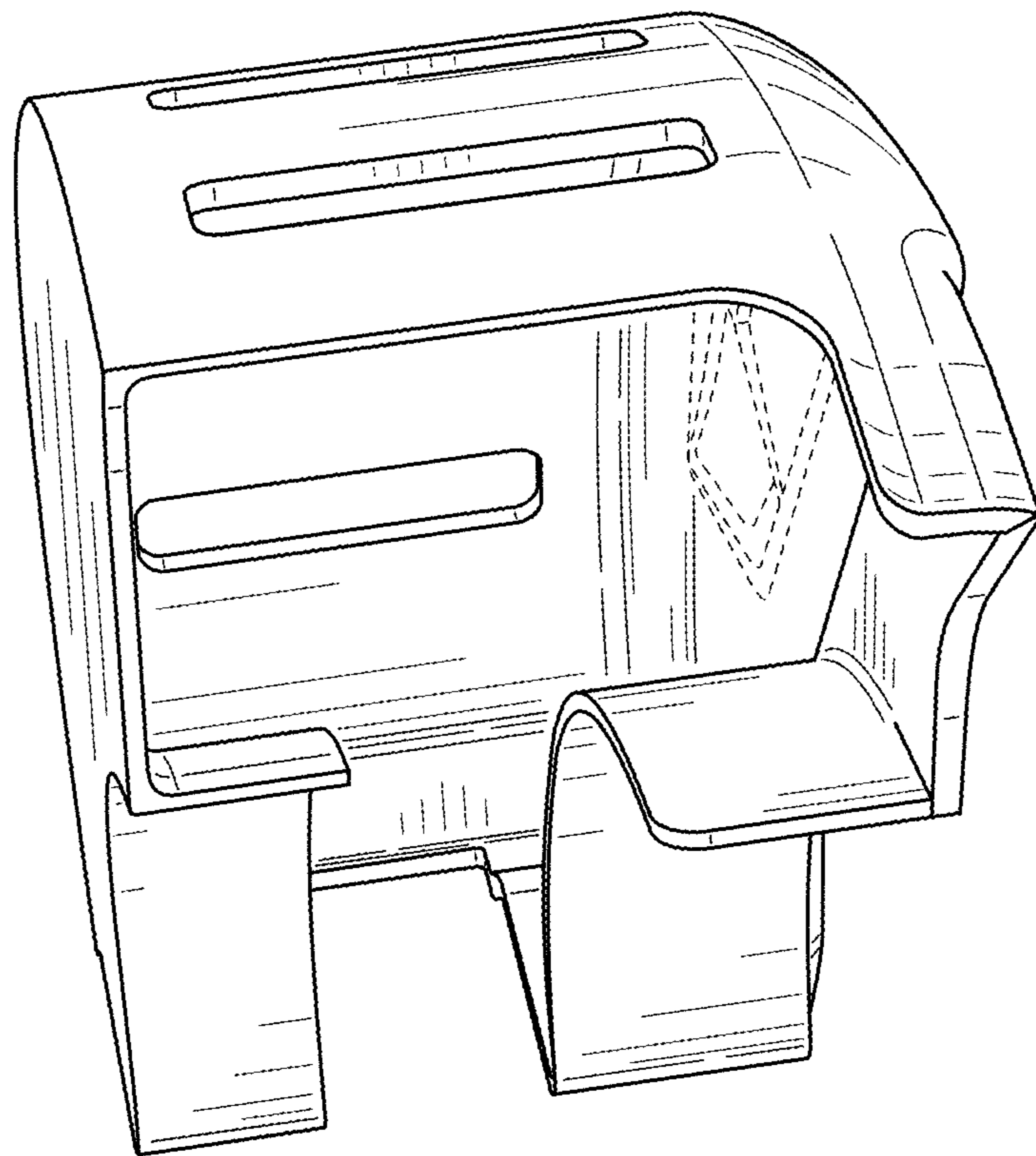


FIG. 9



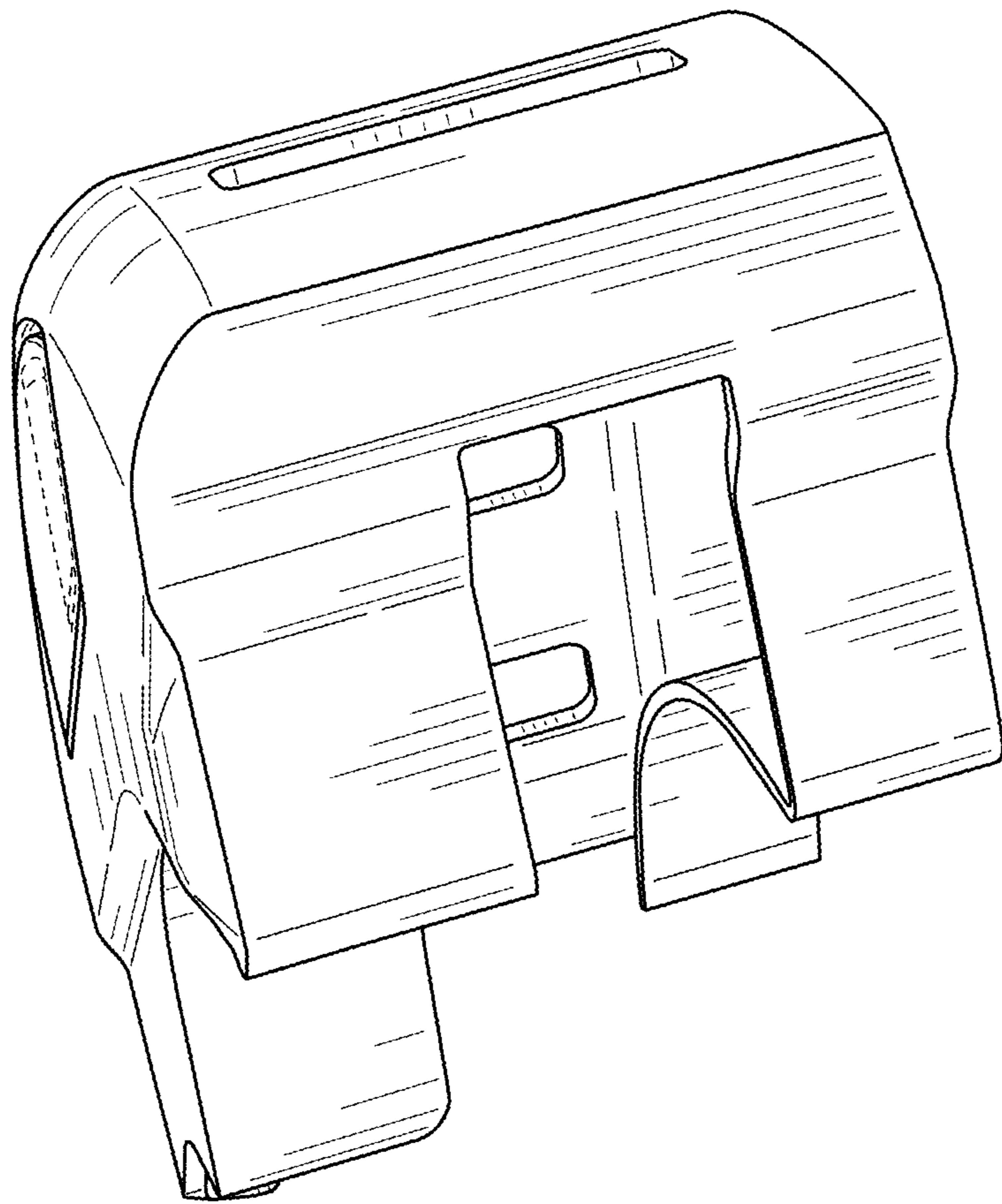


FIG. 10